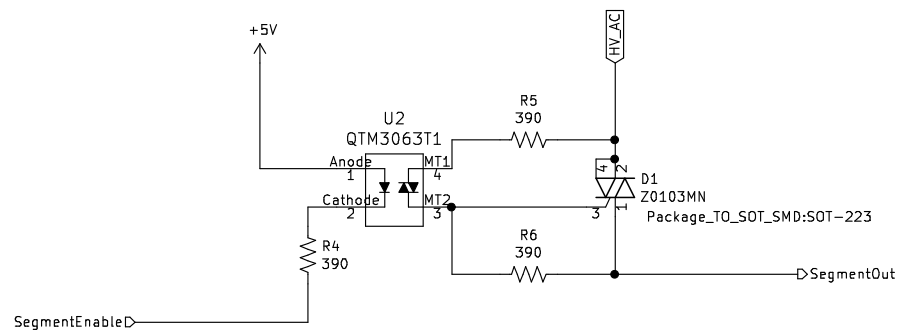


<a href="http://git@github.com:jduanen/alienFontDisplay.git">http://git@github.com:jduanen/alienFontDisplay.git</a>		
Sheet: / File: afdDriver.sch		
<b>Title: Smartsocket for Alien Font Display</b>		
Size: A4	Date: 2021-12-06	Rev: 1.0.0
KiCad E.D.A. kicad 5.1.10-88a1d61d5890ubuntu20.04.1		Id: 1/11

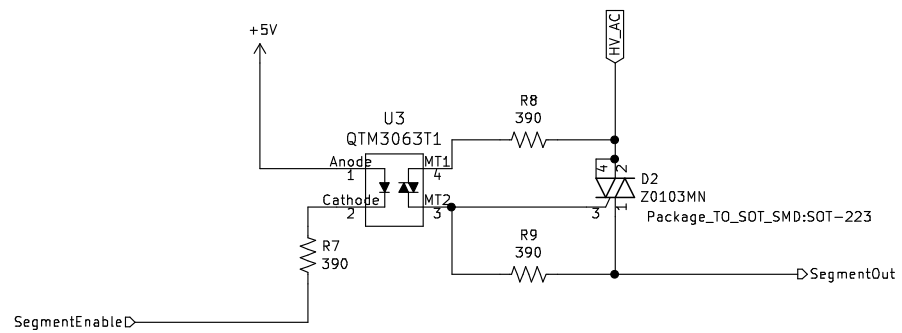


<http://git@github.com:jduanen/alienFontDisplay.git>

Sheet: /segmentDriverA/  
File: segmentDriver.sch

**Title: Smartsocket for Alien Font Display**

Size: A4	Date: 2021-12-06	<b>Rev: 1.0.0</b>
KiCad E.D.A. kicad 5.1.10-88a1d61d5890ubuntu20.04.1		Id: 2/11

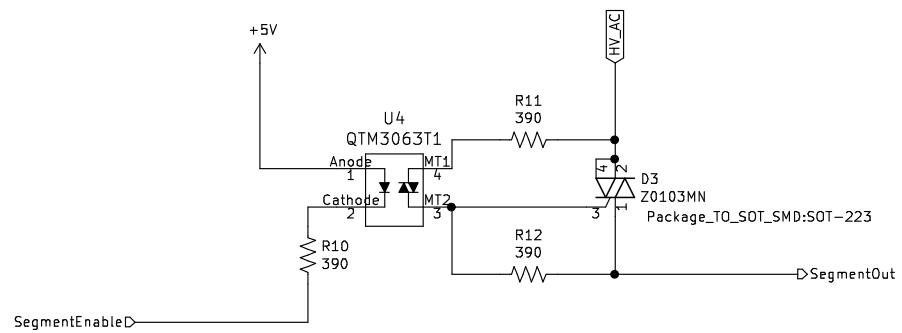


<http://git@github.com:jduanen/alienFontDisplay.git>

Sheet: /segmentDriverB/  
File: segmentDriver.sch

**Title: Smartsocket for Alien Font Display**

Size: A4	Date: 2021-12-06	<b>Rev: 1.0.0</b>
KiCad E.D.A. kicad 5.1.10-88a1d61d5890ubuntu20.04.1		Id: 3/11

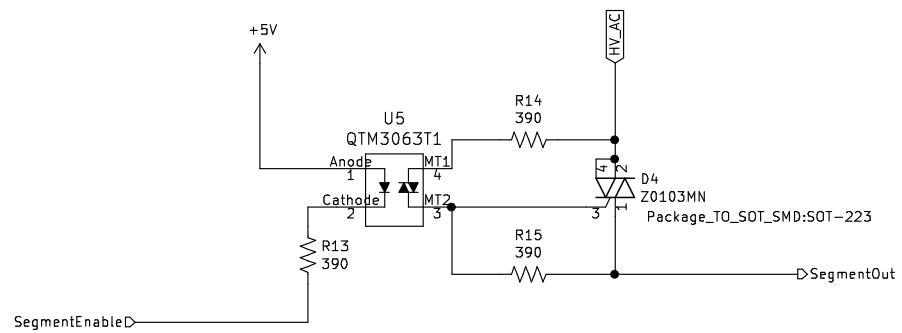


<http://git@github.com:jduanen/alienFontDisplay.git>

Sheet: /segmentDriverC/  
File: segmentDriver.sch

**Title: Smartsocket for Alien Font Display**

Size: A4	Date: 2021-12-06	Rev: 1.0.0
KiCad E.D.A. kicad 5.1.10-88a1d61d5890ubuntu20.04.1		Id: 4/11

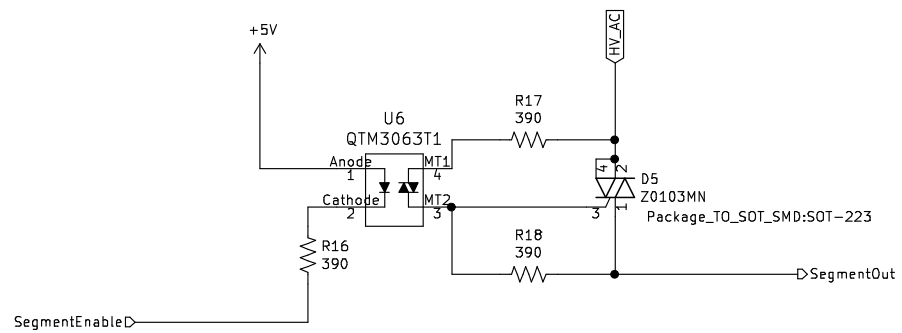


<http://git@github.com:jduanen/alienFontDisplay.git>

Sheet: /segmentDriverD/  
File: segmentDriver.sch

**Title: Smartsocket for Alien Font Display**

Size: A4	Date: 2021-12-06	Rev: 1.0.0
KiCad E.D.A. kicad 5.1.10-88a1d61d5890ubuntu20.04.1		Id: 5/11

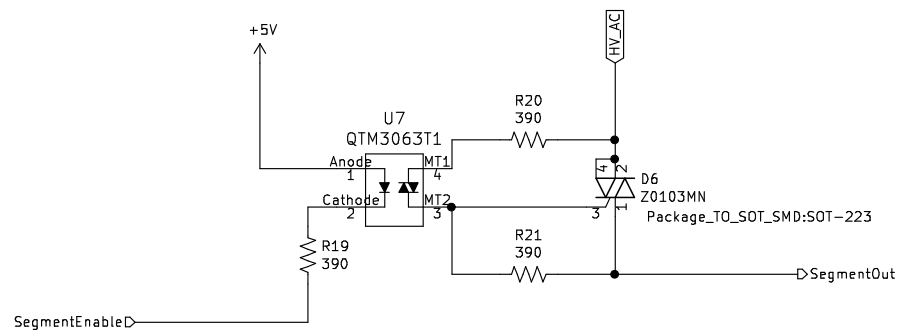


<http://git@github.com:jduanen/alienFontDisplay.git>

Sheet: /segmentDriverE/  
File: segmentDriver.sch

**Title: Smartsocket for Alien Font Display**

Size: A4	Date: 2021-12-06	<b>Rev: 1.0.0</b>
KiCad E.D.A. kicad 5.1.10-88a1d61d5890ubuntu20.04.1		Id: 6/11

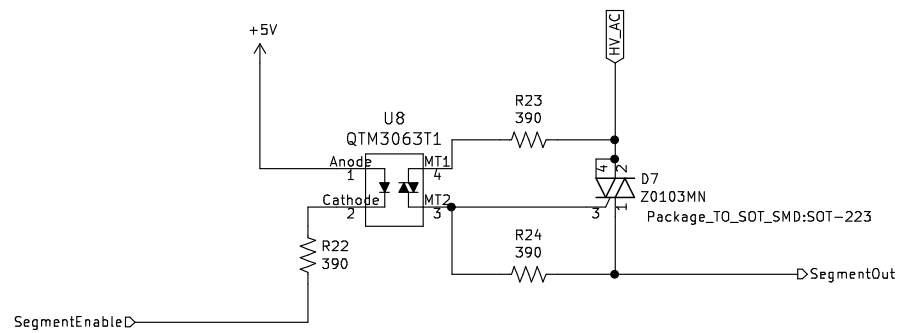


<http://git@github.com:jduanen/alienFontDisplay.git>

Sheet: /segmentDriverF/  
File: segmentDriver.sch

**Title: Smartsocket for Alien Font Display**

Size: A4	Date: 2021-12-06	Rev: 1.0.0
KiCad E.D.A. kicad 5.1.10-88a1d61d5890ubuntu20.04.1		Id: 7/11



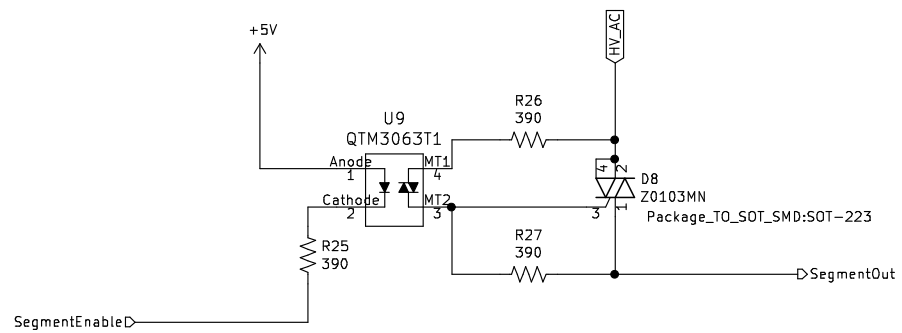
<http://git@github.com:jduanen/alienFontDisplay.git>

Sheet: /segmentDriverG/  
File: segmentDriver.sch

**Title: Smartsocket for Alien Font Display**

Size: A4	Date: 2021-12-06	<b>Rev: 1.0.0</b>
KiCad E.D.A. kicad 5.1.10-88a1d61d5890ubuntu20.04.1		Id: 8/11



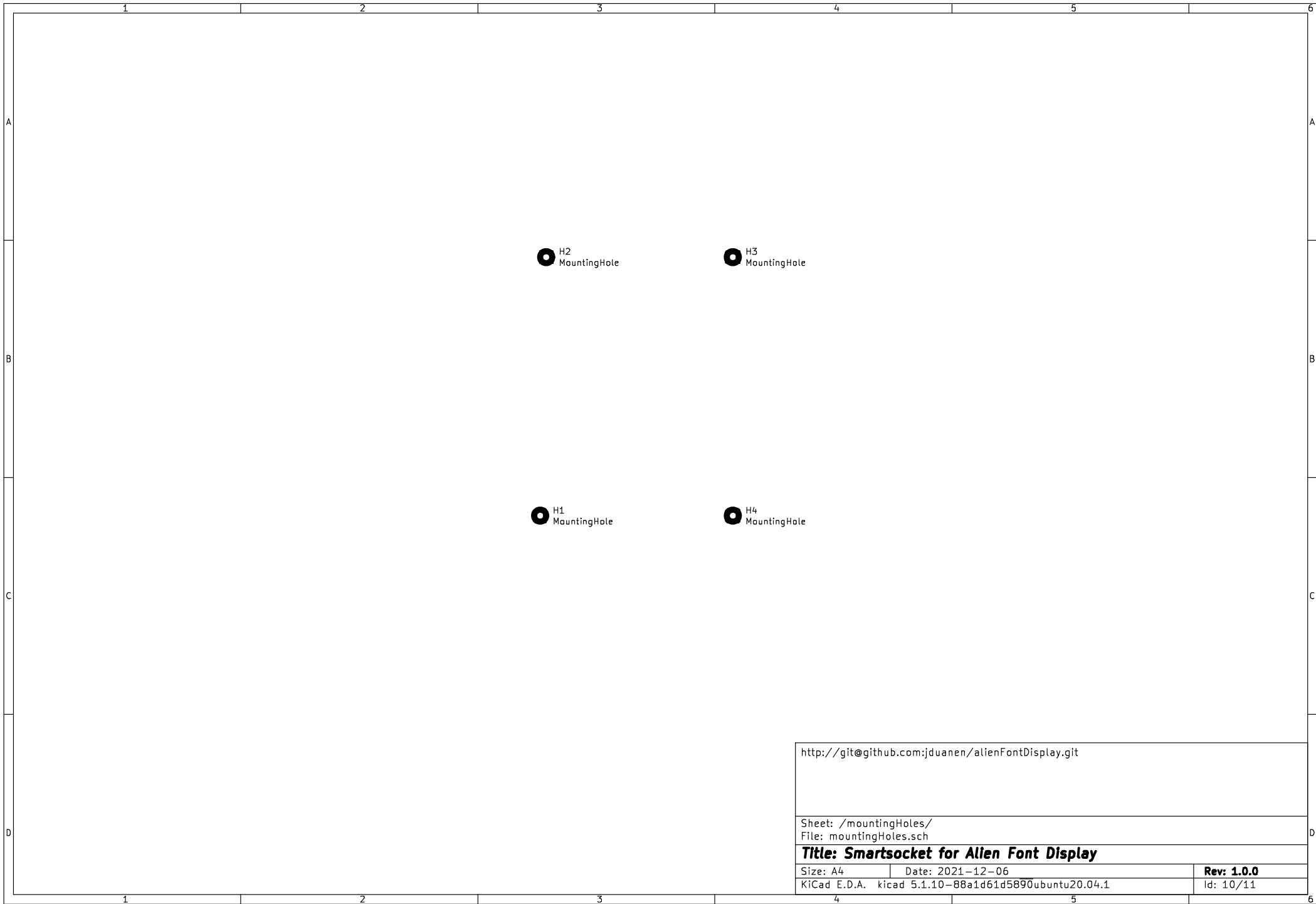


<http://git@github.com:jduanen/alienFontDisplay.git>

Sheet: /segmentDriverH/  
File: segmentDriver.sch

**Title: Smartsocket for Alien Font Display**

Size: A4	Date: 2021-12-06	Rev: 1.0.0
KiCad E.D.A. kicad 5.1.10-88a1d61d5890ubuntu20.04.1		Id: 9/11

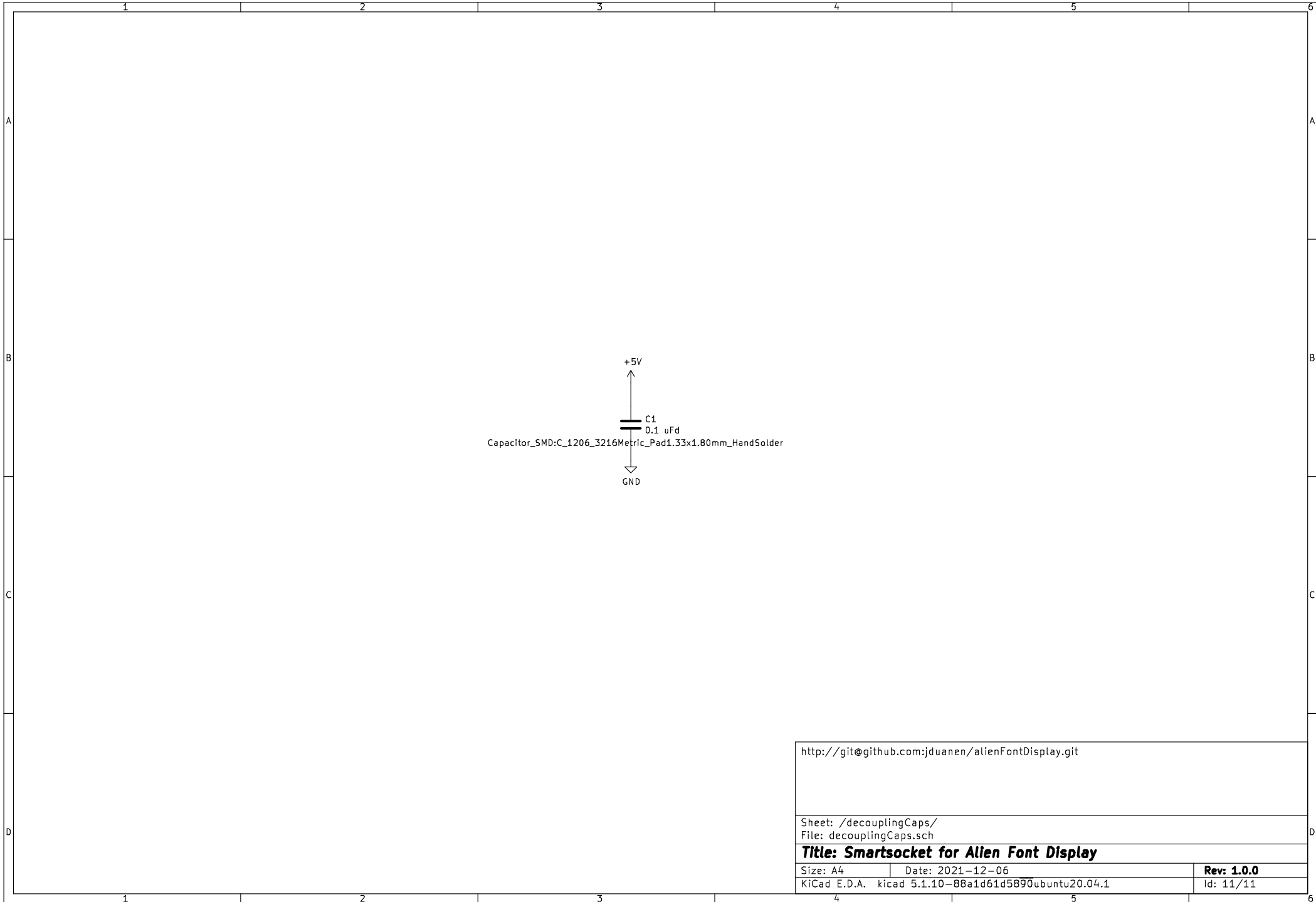


<http://git@github.com:jduanen/alienFontDisplay.git>

Sheet: /mountingHoles/  
File: mountingHoles.sch

**Title: Smartsocket for Alien Font Display**

Size: A4	Date: 2021-12-06	<b>Rev: 1.0.0</b>
KiCad E.D.A. kicad 5.1.10-88a1d61d5890ubuntu20.04.1		Id: 10/11



<http://git@github.com:jduanen/alienFontDisplay.git>

Sheet: /decouplingCaps/  
File: decouplingCaps.sch

**Title: Smartsocket for Alien Font Display**

Size: A4	Date: 2021-12-06	Rev: 1.0.0
KiCad E.D.A. kicad 5.1.10-88a1d61d5890ubuntu20.04.1	Id: 11/11	