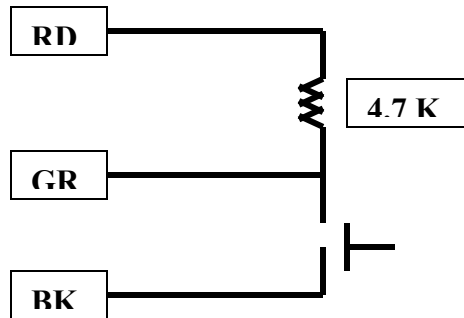


Button Response Hardware and DMDX/NS issues

The response buttons have 3 leads, green, red and black. They are configured as such



The Green lead is connected to the input bit on the I/O Card. Red is connected to +5V and Black to GND.

The default IO setting on in DMDX sets ports A and B for input and port C for output. Also by default, Port A Bit0 is mapped to request (i.e., space bar), Bit1 to negative response (left shift) and Bit2 to positive response (right shift). These are pins 37, 36 and 35 respectively on the IO card.

To have Neuroscan also record the input, the green lead must be split and input to the NS trigger port. The NS amps provide 4 bits of input. These are pins 21-24 for bits 3 – 0 respectively (bits 7-4 are available as input as well on pins 17-20. However, edit will only support 4 bit codes, max code 15)