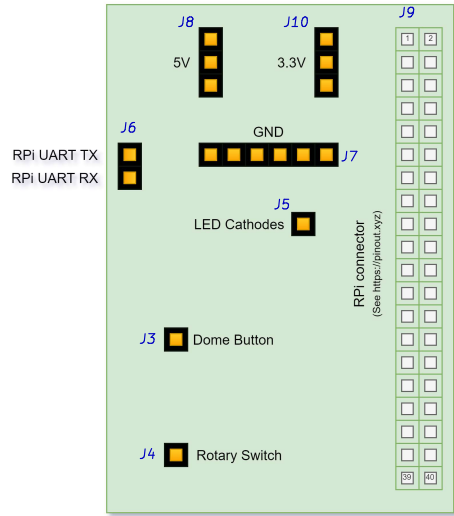
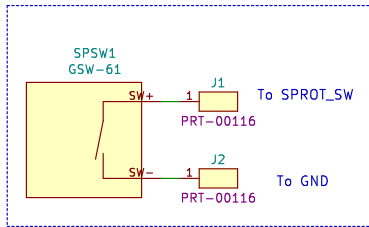


Jumper Placement Diagram

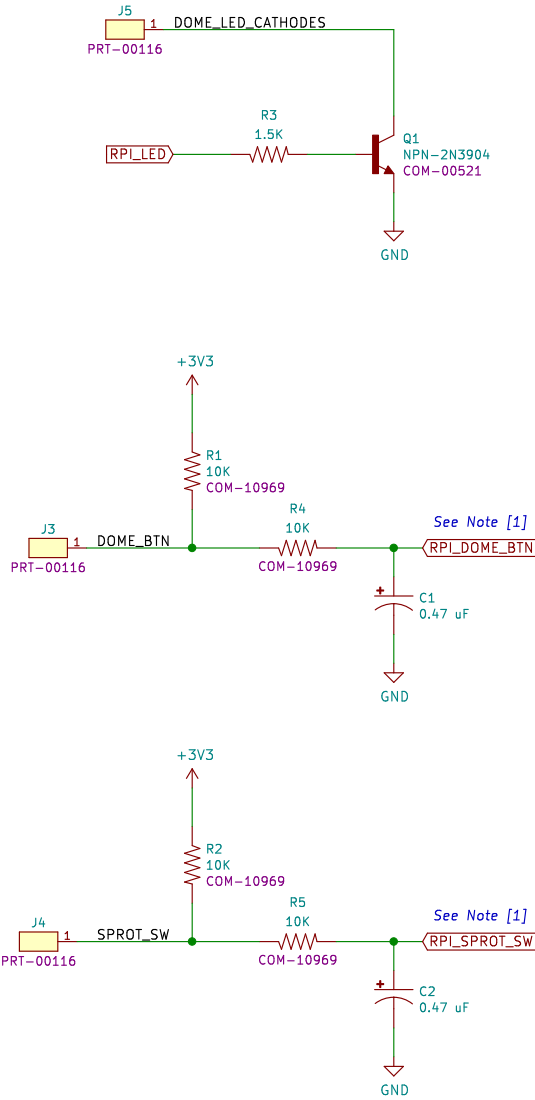


Fastened to case; not on shield.

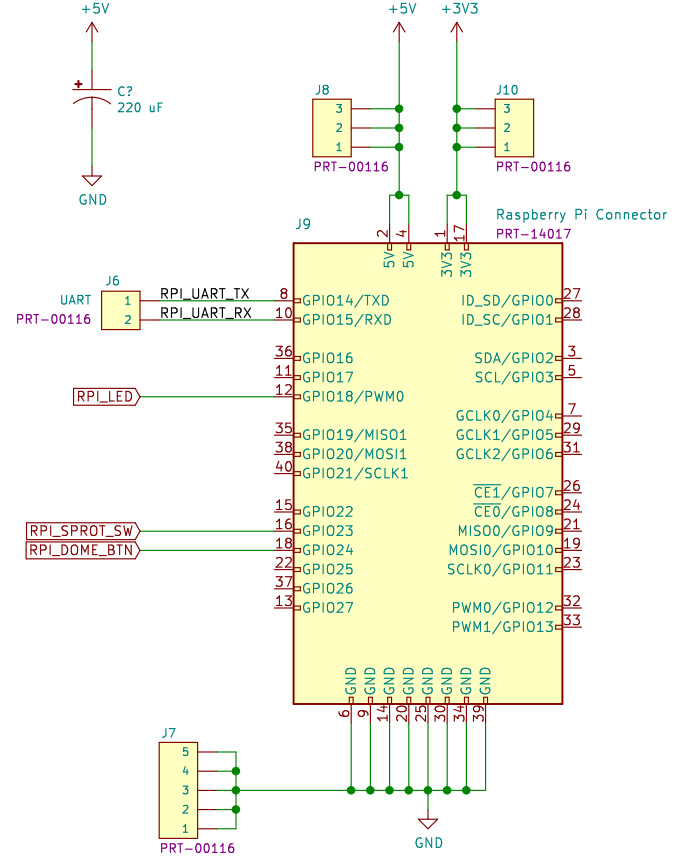


Note [1]: Proper debouncing requires Schmitt-trigger filtering to be enabled on associated RPi GPIO pads. See:

<https://www.raspberrypi.org/documentation/hardware/raspberrypi/gpio/README.md>



Bulk cap added due to observed supply droop when USB speaker powered on.



Author: Jon Szymaniak (Twitter: @sz_jynik, Github: jynik)
Website: <https://github.com/jynik/meta-owswaas>

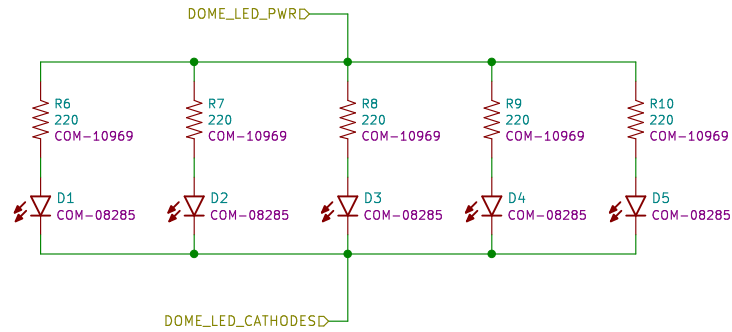
Sheet: /
File: owswaas.sch

Title: OWSWAAS RPi Shield

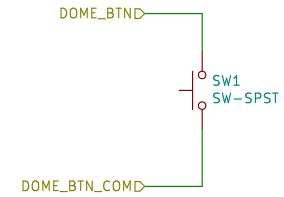
Size: USLetter Date: 2020-01-10
KiCad E.D.A. kicad (5.1.5)-3

Rev: 02
Id: 1/2

Single LED replaced with custom board containing 5 "super bright" LEDs.



Push-button in COM-11275 kept as-is



Author: Jon Szymaniak
Website: <https://github.com/jynik/meta-owswaas>
Sheet: Sparkfun Dome Button LED Retrofit

Sheet: /Sparkfun Dome Button LED Retrofit/
File: dome-btn-retrofit.sch

Title: OWSWAAS RPI Shield

Size: USLetter | Date: 2020-01-10
KiCad E.D.A. kicad (5.1.5)-3

Rev: 02
Id: 2/2