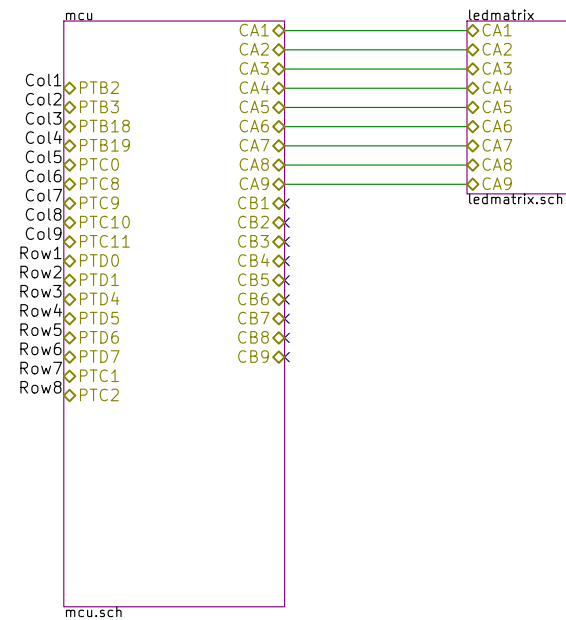


Note: Extra duplicated switches are invisible overlaps in the matrix.



Input Club

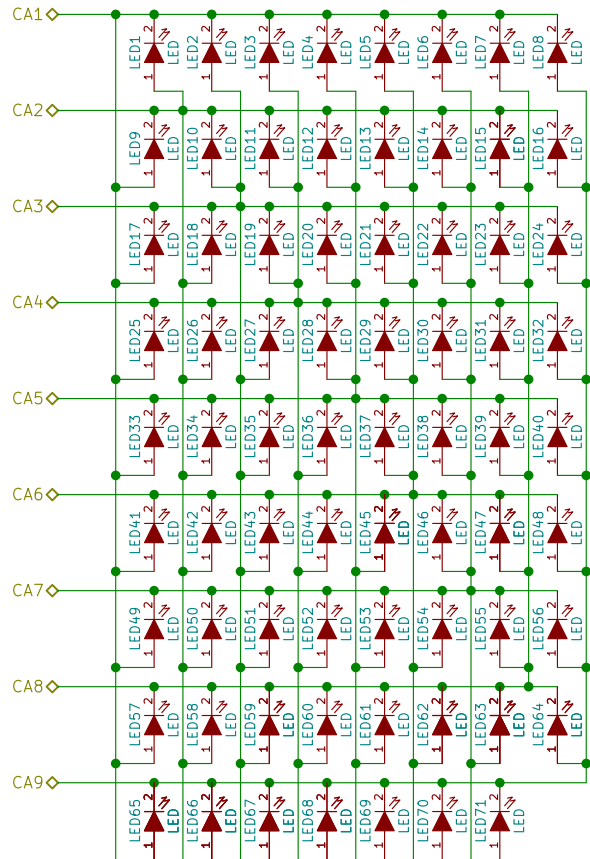
Sheet: /
File: WhiteFox.sch

Title: WhiteFox

Size: A3 | Date: 2018-03-20
KiCad E.D.A. kicad (5.0.0-rc2-dev-1-g21f46776c)

Rev: 1.1c
Id: 1/3

Note: Extra duplicated LEDs are invisible overlaps in the matrix.



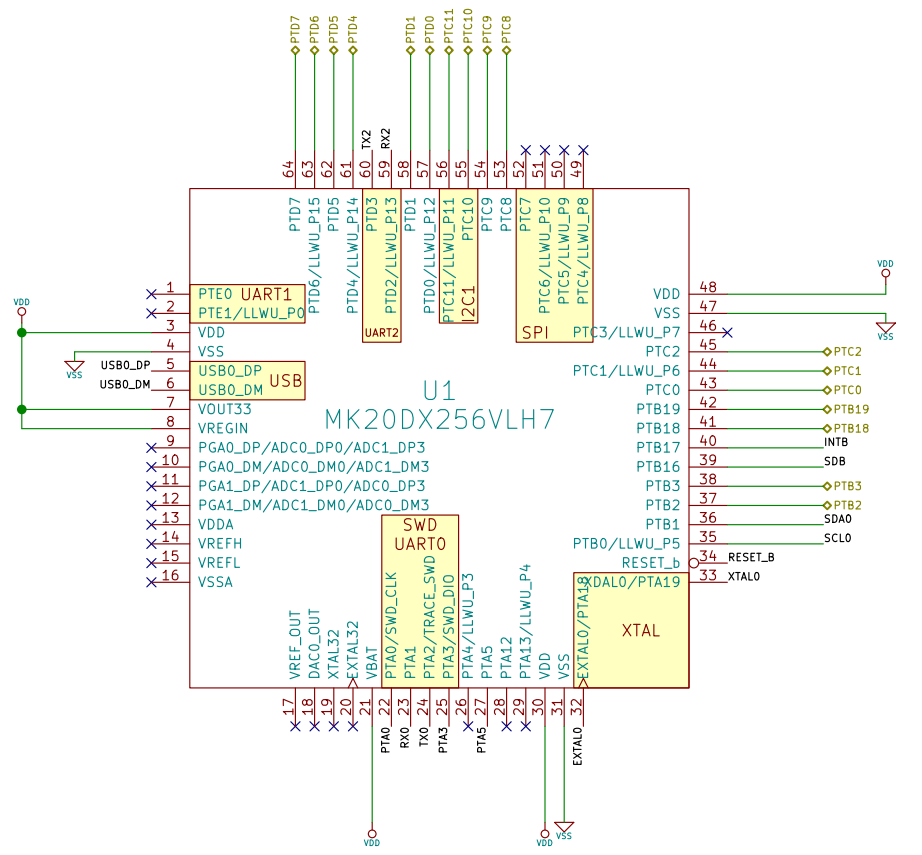
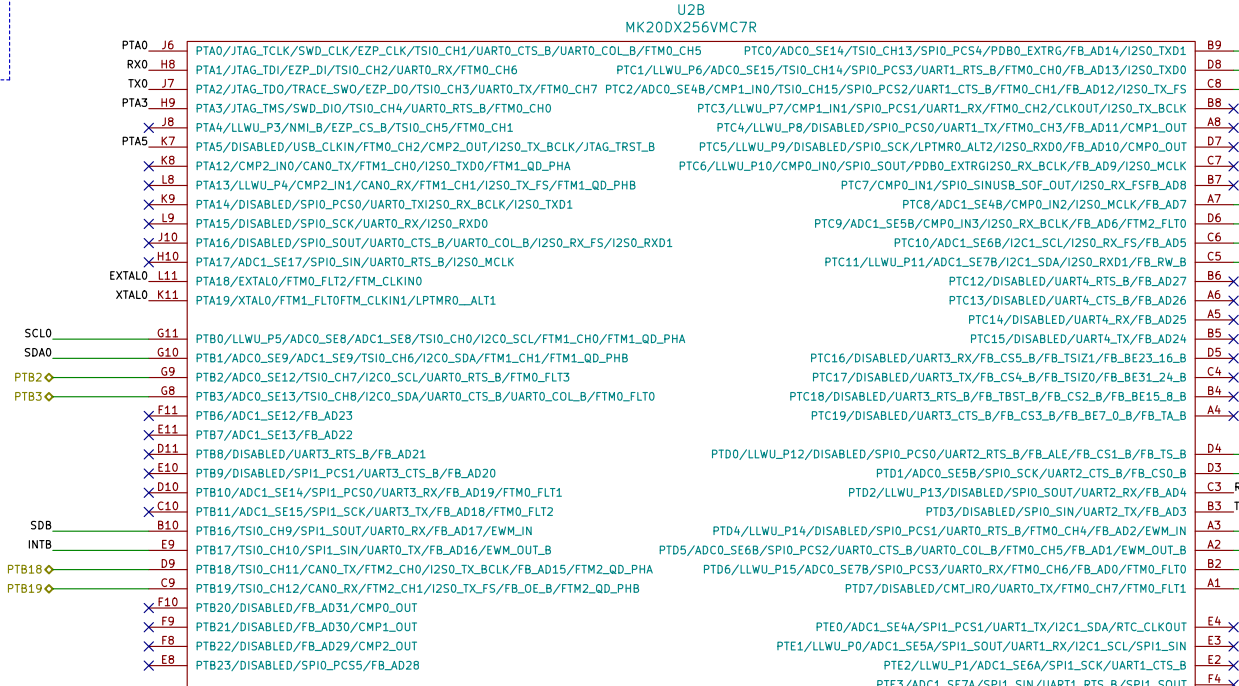
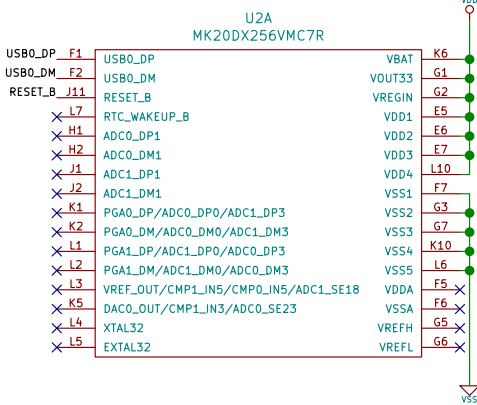
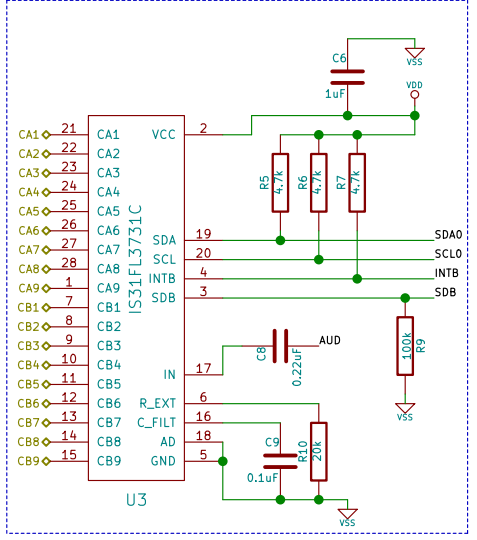
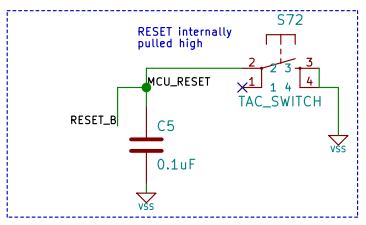
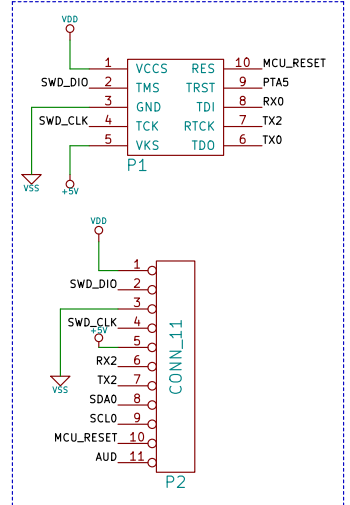
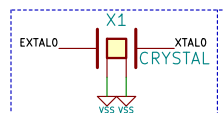
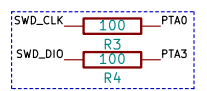
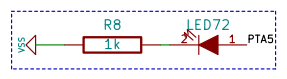
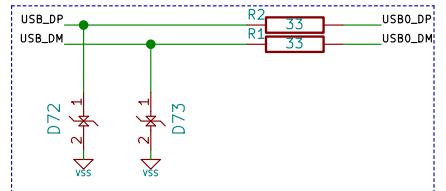
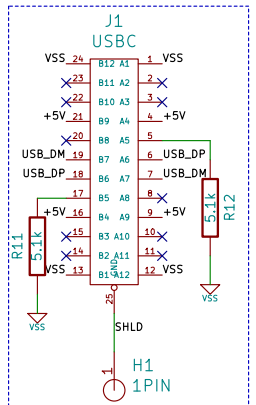
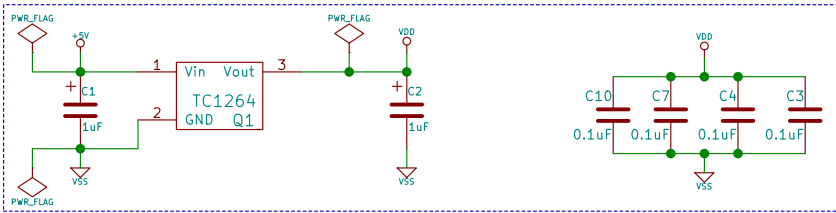
Input Club

Sheet: /ledmatrix/
File: ledmatrix.sch

Title: WhiteFox

Size: A4 Date: 2018-03-20
KiCad E.D.A. kicad (5.0.0-rc2-dev-1-g21f46776c)

Rev: 1.1c
Id: 2/3



U1 OR U2 is used, not both.

Input Club			
Sheet: /mcu/			
File: mcu.sch			
Title: WhiteFox			
Size: A3	Date: 2018-03-20	Rev: 1.1c	
KiCad E.D.A. kicad (5.0.0-rc2-dev-1-g21f46776c)		Id: 3/3	