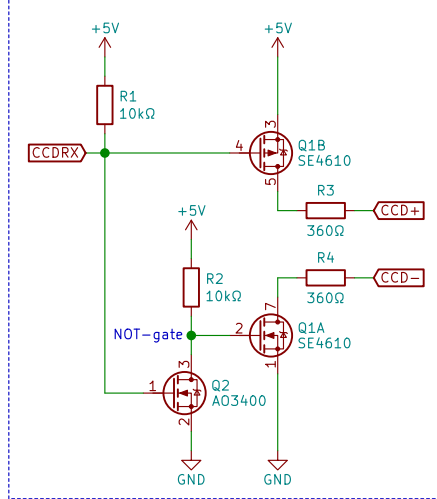
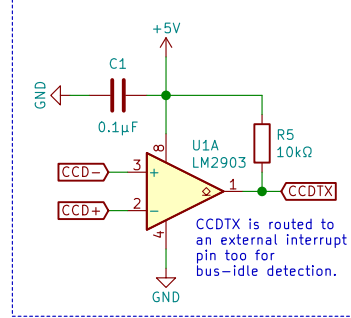


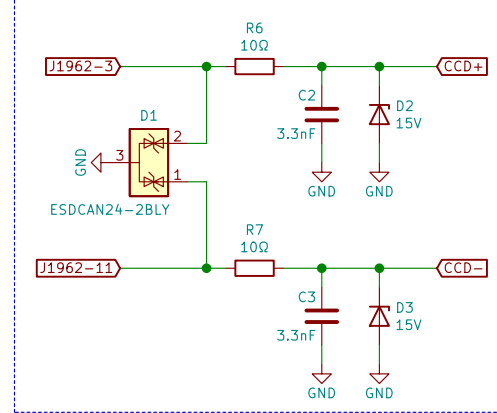
CCD-bus transmitter (SAE J1567)



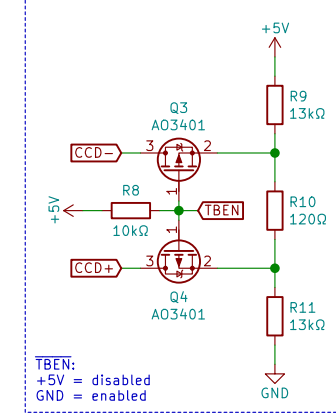
CCD-bus receiver (SAE J1567)



CCD-bus protection

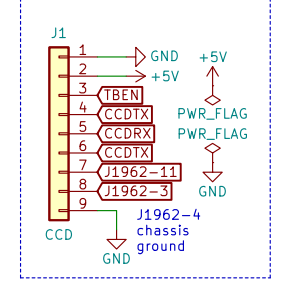


Selectable CCD-bus termination and bias

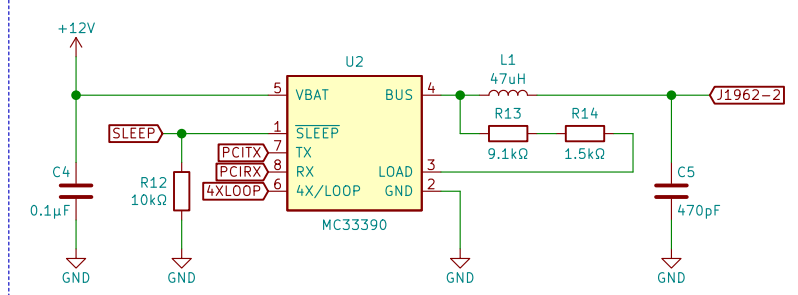


TBEN:
+5V = disabled
GND = enabled

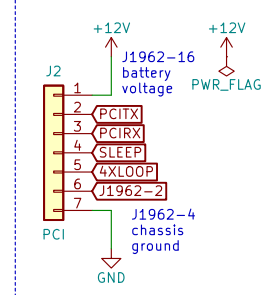
CCD-bus connector



PCI-bus transceiver (SAE J1850 VPW)



PCI-bus connector



Revision history

- 1.0.0-1 (2020-03-24): original
- 1.0.1-1 (2020-04-04):
 - remove mounting holes.
- 1.0.2-1 (2020-06-19):
 - change copper track width.
- 1.0.3-1 (2020-07-15):
 - add second jumper for CCD-bus bias.
- 2.0.0-1 (2021-03-15):
 - new schematic and PCB design in KiCad.
 - replace Q1 IRF7317 with SE4610.
 - remove CCD-bus bias jumpers.
 - add Q3 and Q4 MOSFETs for CCD-bus bias switch.
 - add U2 MC33390 PCI-bus transceiver.
- 2.0.0-2 (2021-06-29)
 - replace U1 LM393 with LM2903.

CCD/PCI-bus Transceiver

Development board for interfacing Chrysler's legacy CCD/PCI-bus.
Part number: BC-011200

Boundary Condition
Website: <https://chryslerccdsci.wordpress.com>

Sheet: /
File: CCDPCIBusTransceiver_V200.sch

Author: Daniel Laszlo

Size: A4 Date: 2021-06-29

KiCad E.D.A. kicad (5.1.8)-1

Rev: 2.0.0-2

Page: 1/1

