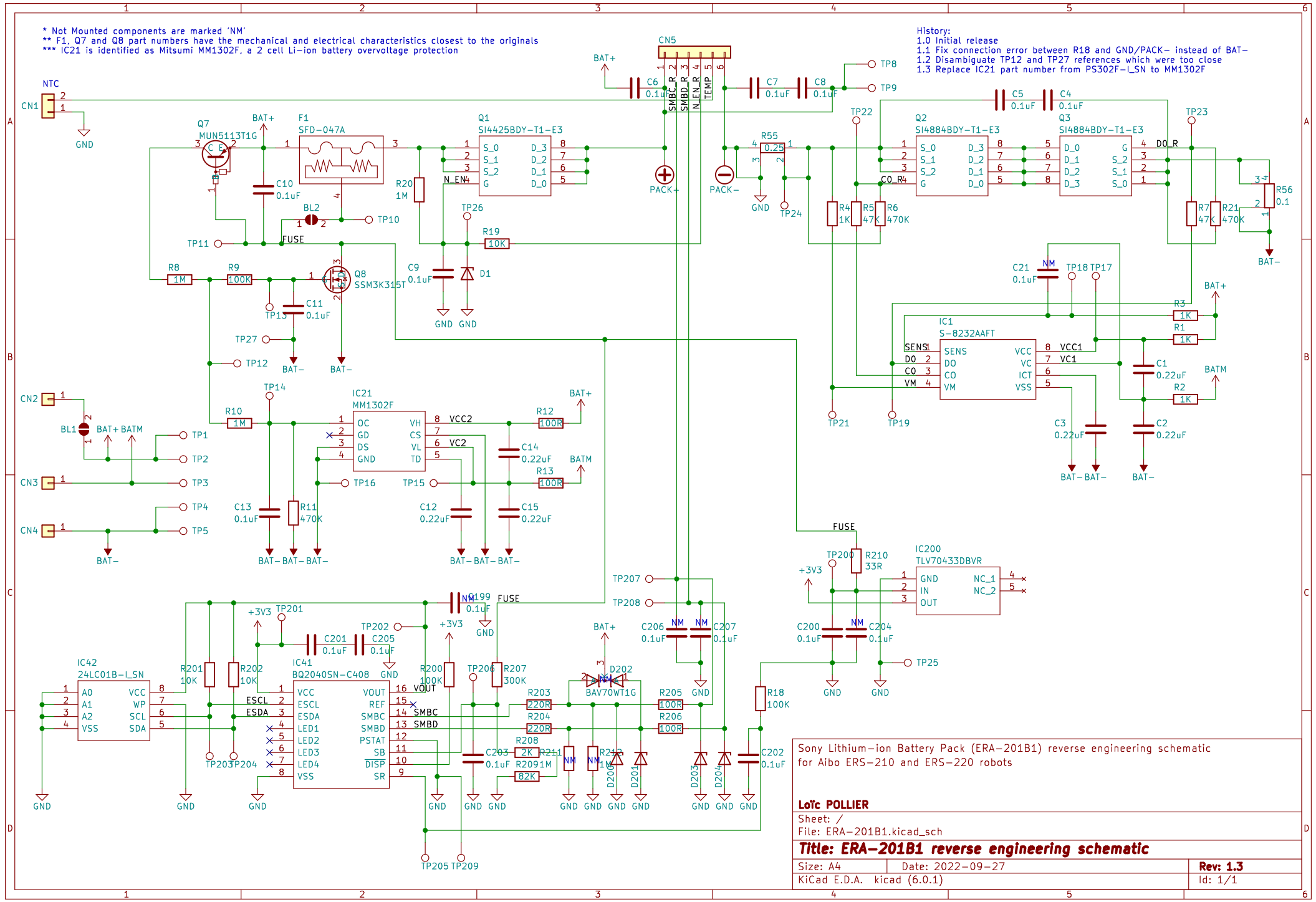


\* Not Mounted components are marked 'NM'  
 \*\* F1, Q7 and Q8 part numbers have the mechanical and electrical characteristics closest to the originals  
 \*\*\* IC21 is identified as Mitsumi MM1302F, a 2 cell Li-ion battery overvoltage protection

History:  
 1.0 Initial release  
 1.1 Fix connection error between R18 and GND/PACK- instead of BAT-  
 1.2 Disambiguate TP12 and TP27 references which were too close  
 1.3 Replace IC21 part number from RS302F-LSN to MM1302F



Sony Lithium-ion Battery Pack (ERA-201B1) reverse engineering schematic for Aibo ERS-210 and ERS-220 robots

<b>Loïc POLLIER</b>	
Sheet: /	
File: ERA-201B1.kicad_sch	
<b>Title: ERA-201B1 reverse engineering schematic</b>	
Size: A4	Date: 2022-09-27
KiCad E.D.A. kicad (6.0.1)	Rev: 1.3
	Id: 1/1