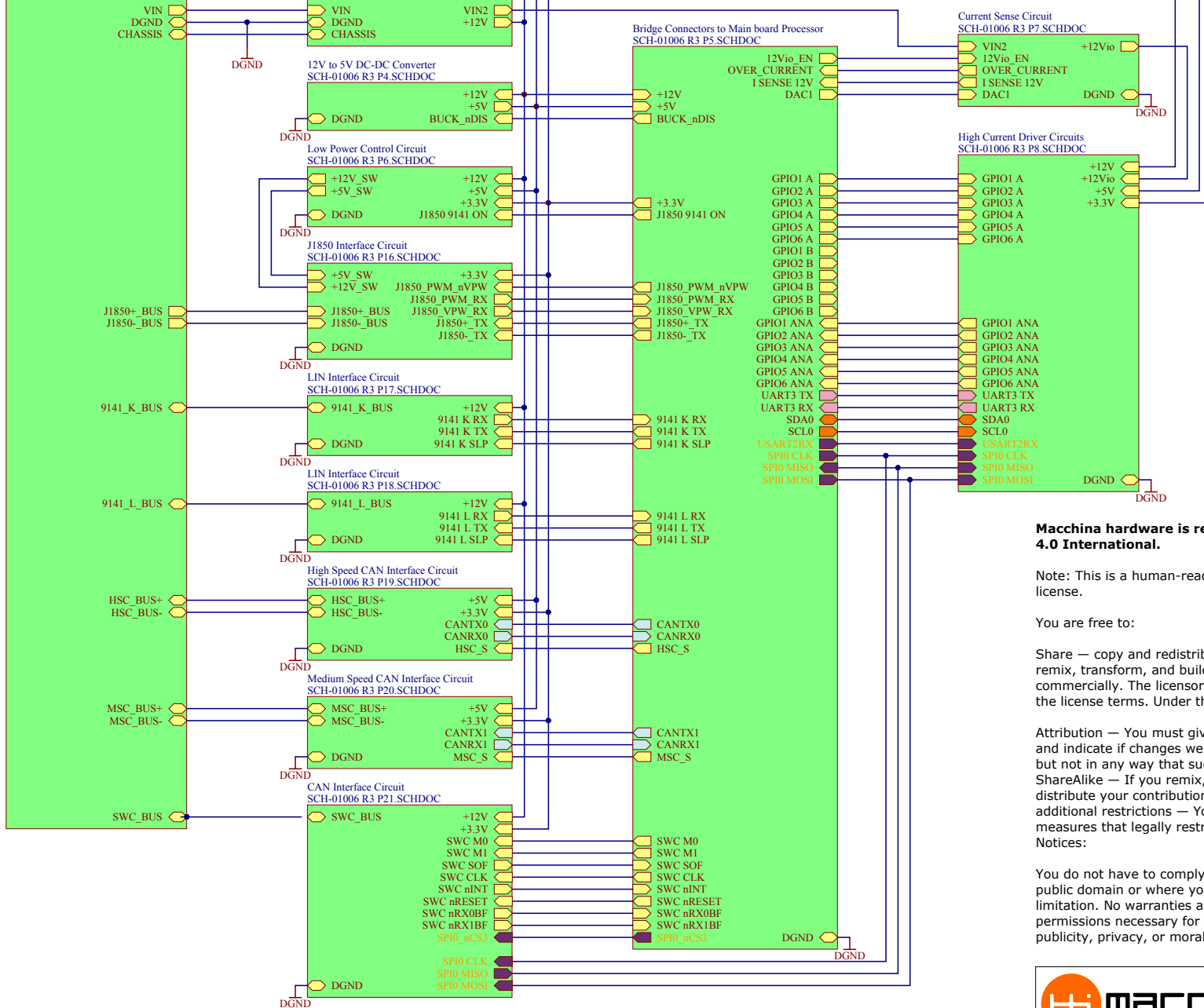


ODB Input Connectors  
SCH-01006 R3 P2.SCHDOC



**Macchina hardware is released under Creative Commons Share-alike 4.0 International.**

Note: This is a human-readable summary of (and not a substitute for) the license.

You are free to:

Share — copy and redistribute the material in any medium or format. Adapt — remix, transform, and build upon the material for any purpose, even commercially. The licensor cannot revoke these freedoms as long as you follow the license terms. Under the following terms:

Attribution — You must give appropriate credit, provide a link to the license, and indicate if changes were made. You may do so in any reasonable manner, but not in any way that suggests the licensor endorses you or your use. ShareAlike — If you remix, transform, or build upon the material, you must distribute your contributions under the same license as the original. No additional restrictions — You may not apply legal terms or technological measures that legally restrict others from doing anything the license permits. Notices:

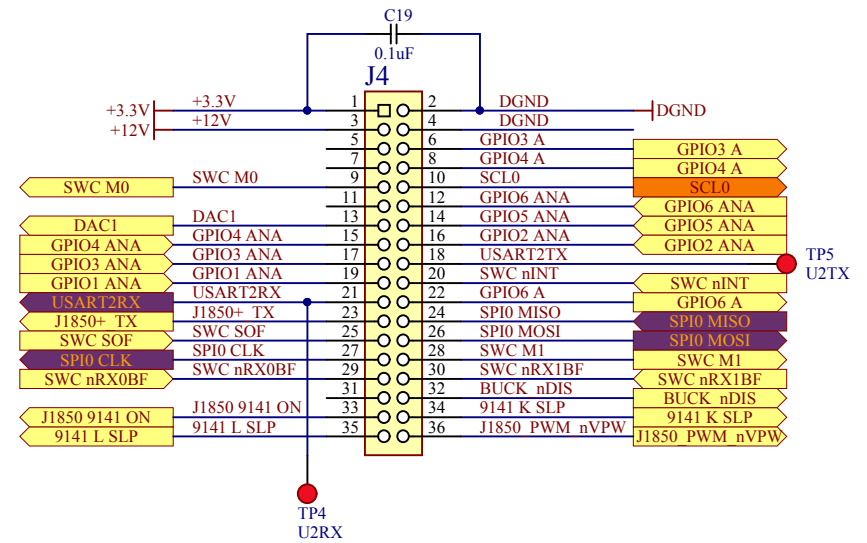
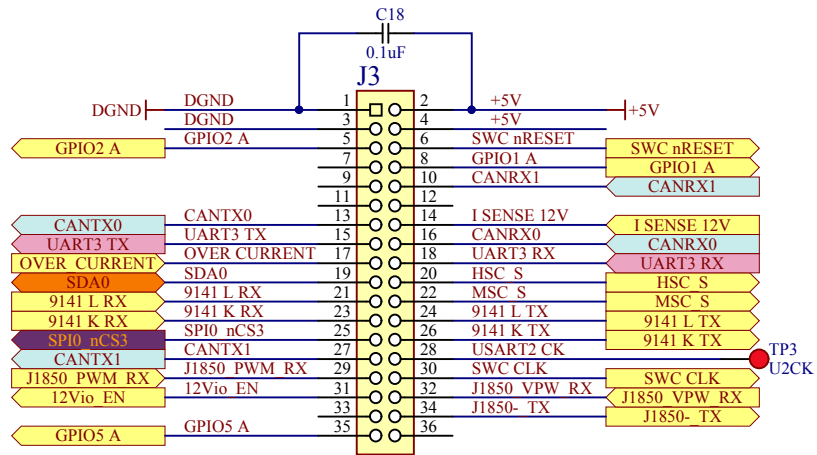
You do not have to comply with the license for elements of the material in the public domain or where your use is permitted by an applicable exception or limitation. No warranties are given. The license may not give you all of the permissions necessary for your intended use. For example, other rights such as publicity, privacy, or moral rights may limit how you use the material.



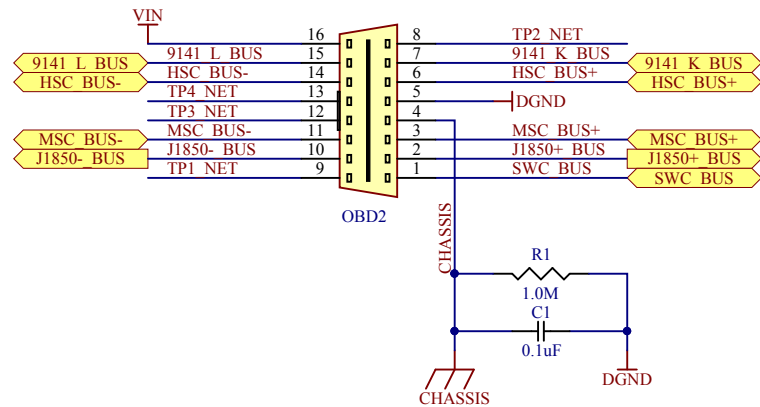
Macchina LLC.  
P.O. Box 18701  
Minneapolis, MN 55418  
612-787-2658

Project - Macchina M2 - Interface Board  
Title: Interface Board - Overview

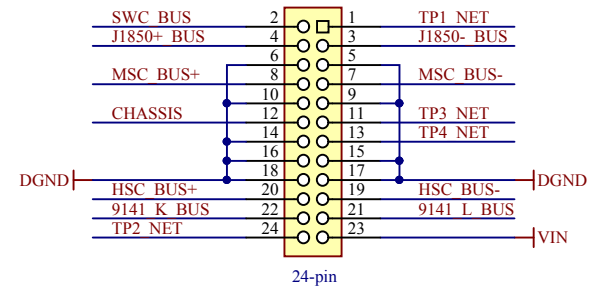
Size: LETTER	Document Number: SCH-01006	Revision: R3	PCB #: PCB-01006 R3
Date: 9/27/17		Sheet 1 of 16	
File: SCH-01006 R3.SCHDOC		Drawn By: RGR	Eng: JS



**J1 (Under-the-Dash)**



**J2 (Under-the-Hood)**



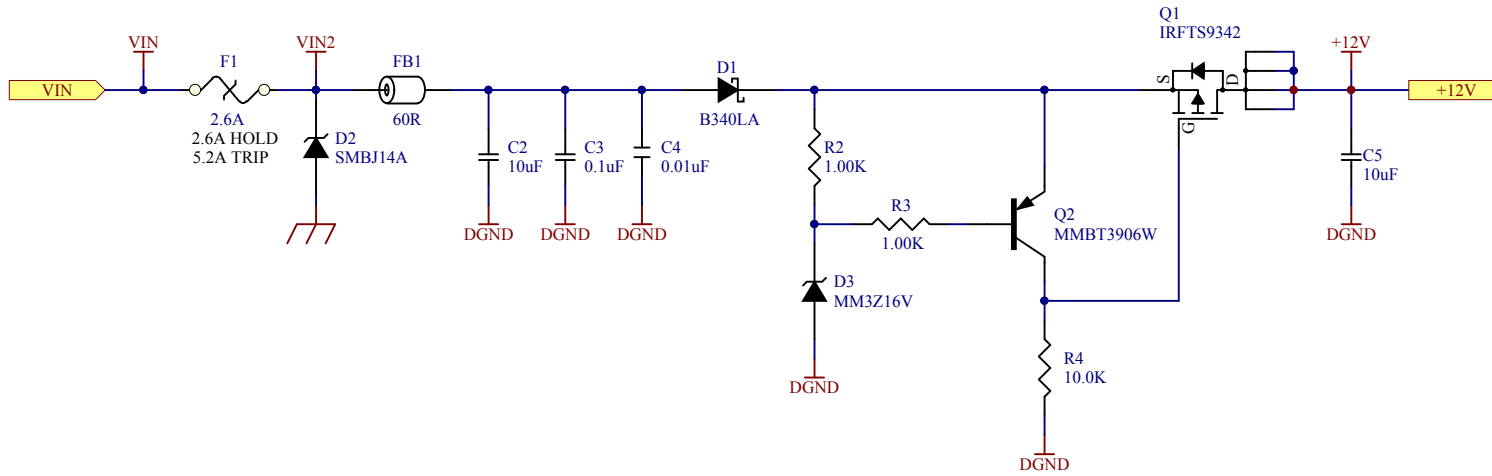
Macchina LLC.  
P.O. Box 18701  
Minneapolis, MN 55418  
612-787-2658

Project - Macchina M2 - Interface Board  
Title: Interface Board - Connectors

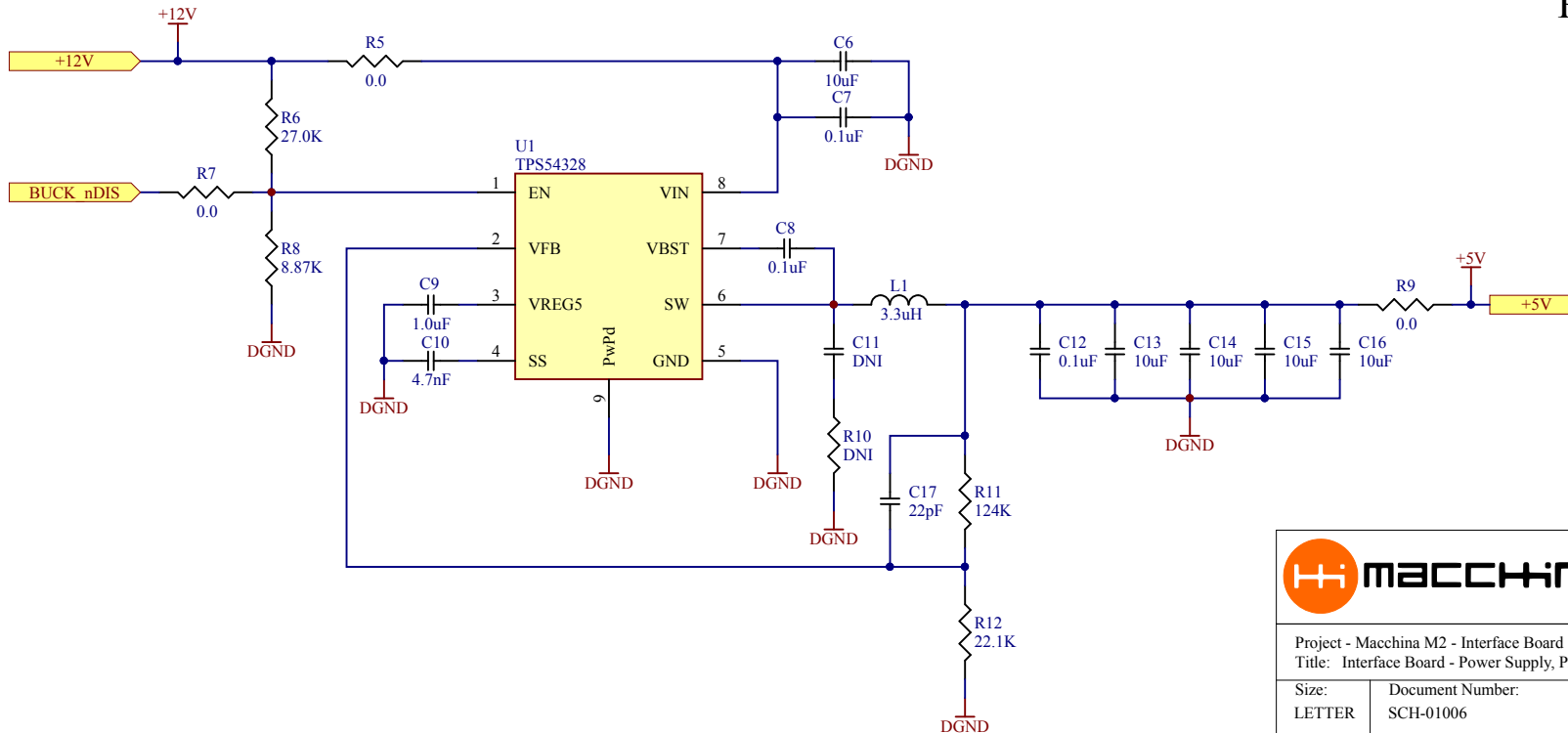
Size: LETTER	Document Number: SCH-01006	Revision: R3	PCB #: PCB-01006 R3
-----------------	-------------------------------	-----------------	------------------------

Date: 9/27/17 Sheet 2 of 16


File: SCH-01006 R3.SCHDOC Drawn By: RGR Eng: JS

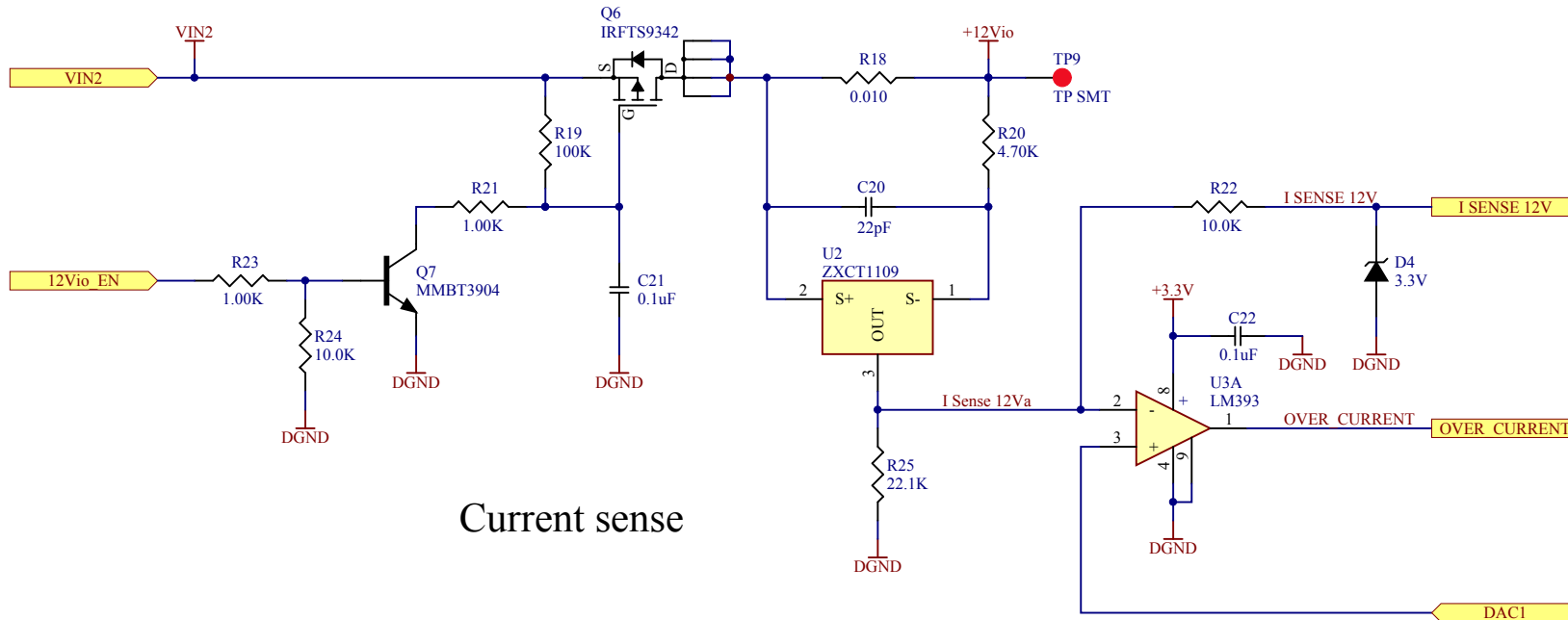


Protection Circuit

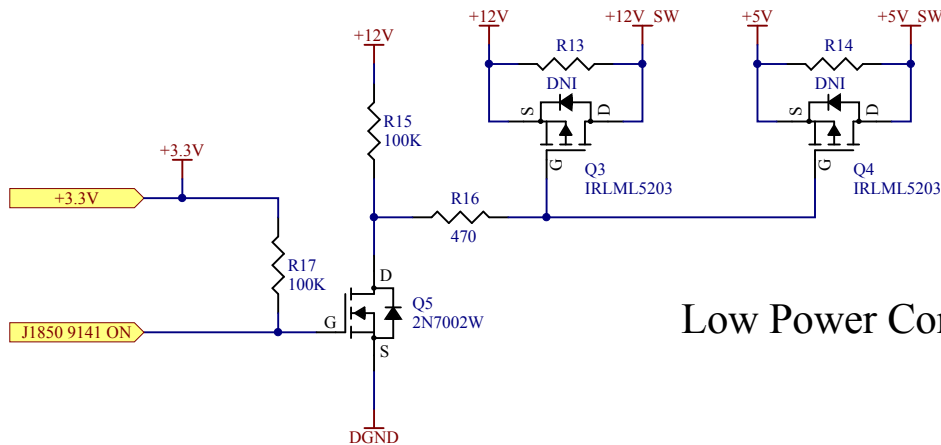
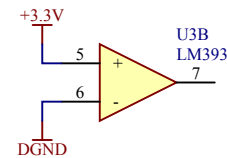


Power supply


		Macchina LLC P.O. Box 18701 Minneapolis, MN 55418 612-787-2658	
		Project - Macchina M2 - Interface Board Title: Interface Board - Power Supply, Protection Circuit	
Size:	Document Number:	Revision:	PCB #:
LETTER	SCH-01006	R3	PCB-01006 R3
Date: 9/27/17	Sheet 3 of 16		Eng: JS
File: SCH-01006 R3.SCHDOC		Drawn By: RGR	

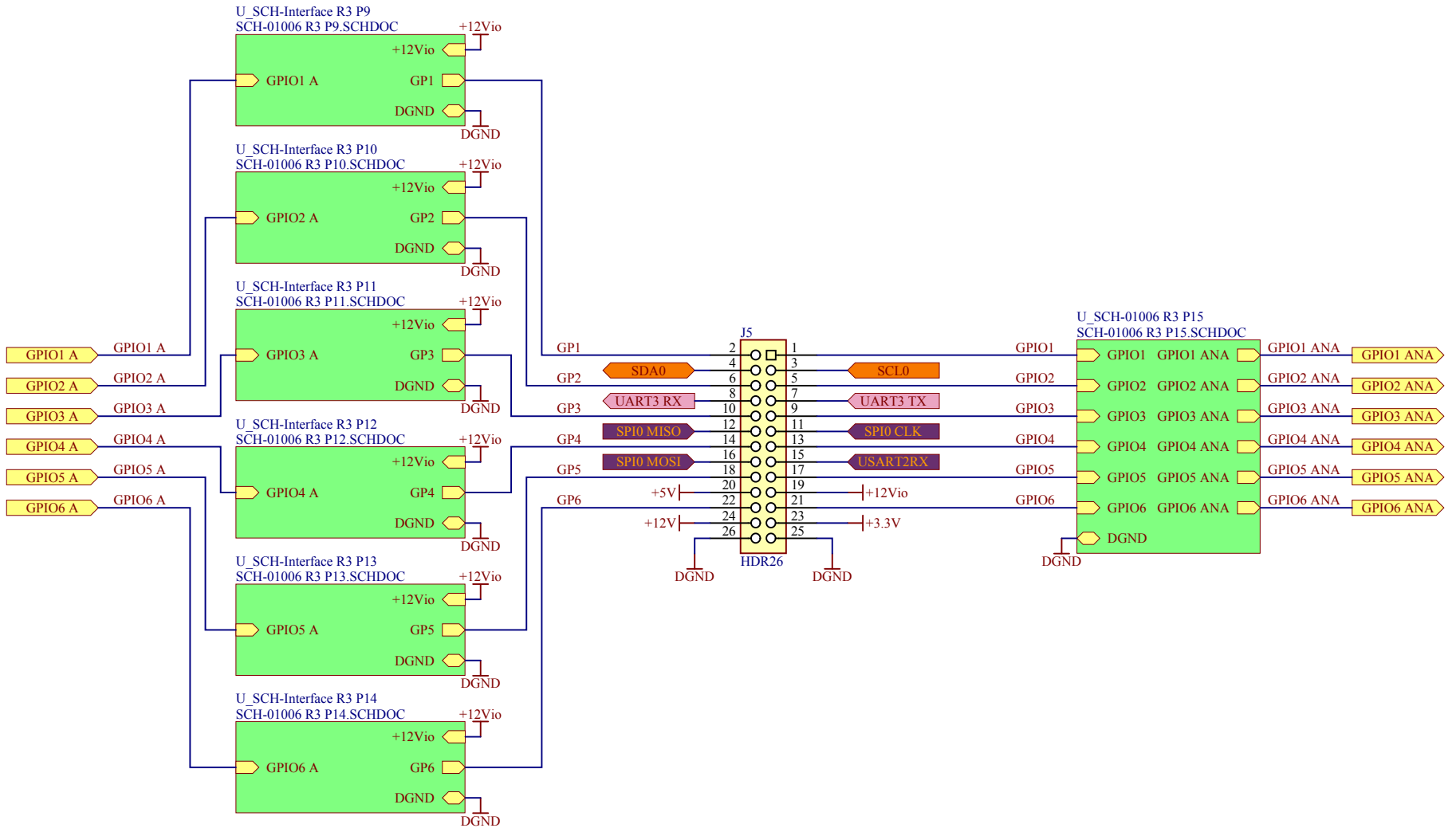



Current sense



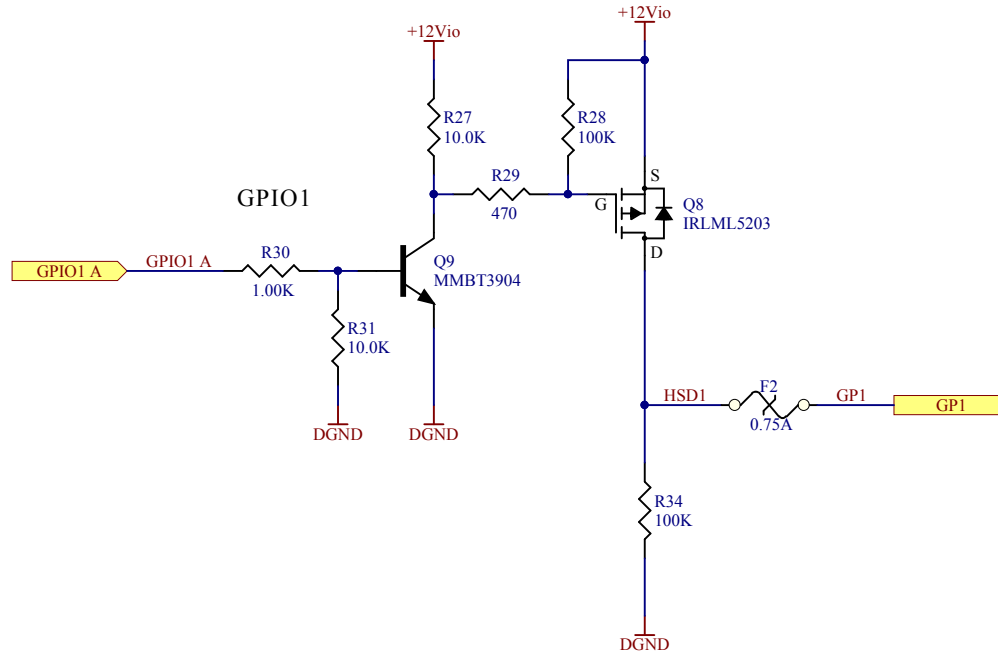
Low Power Control


		Macchina LLC P.O. Box 18701 Minneapolis, MN 55418 612-787-2658	
		Project - Macchina M2 - Interface Board Title: Interface Board - Low Power Control, Current Sense	
Size:	Document Number:	Revision:	PCB #:
LETTER	SCH-01006	R3	PCB-01006 R3
Date: 9/27/17		Sheet 4 of 16	
File: SCH-01006 R3.SCHDOC		Drawn By: RGR	Eng: JS



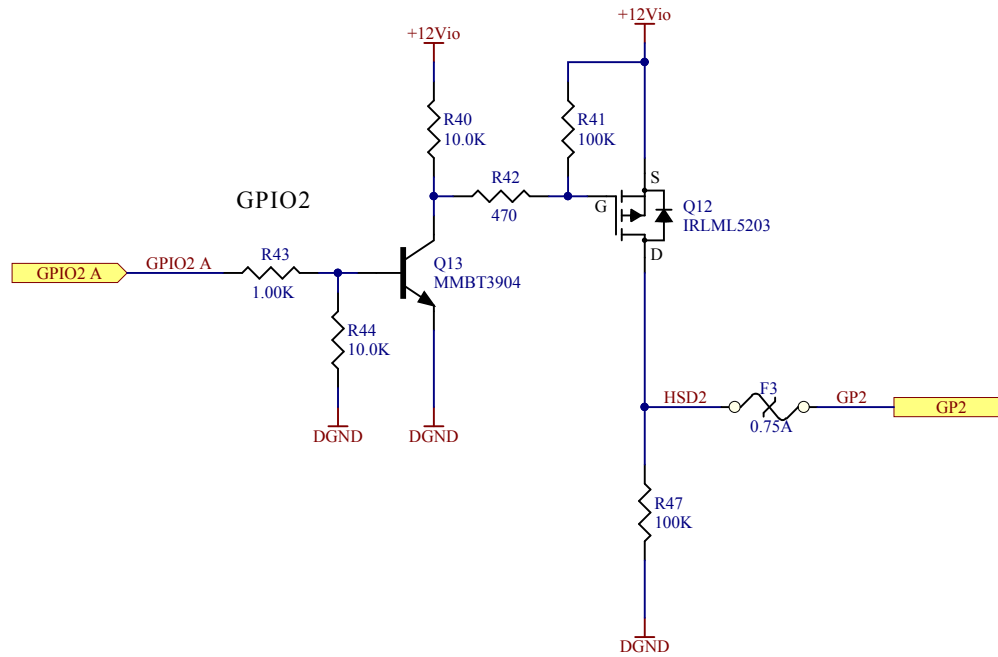
		Macchina LLC P.O. Box 18701 Minneapolis, MN 55418 612-787-2658	
		Project - Macchina M2 - Interface Board Title: Interface Board - 12V IO Circuit Driver Overview	
Size:	Document Number:	Revision:	PCB #:
LETTER	SCH-01006	R3	PCB-01006 R3
Date:	Sheet 5 of 16		
File:	SCH-01006 R3.SCHDOC	Drawn By: RGR	Eng: JS


# 12V IO Channel 1 (High Side)



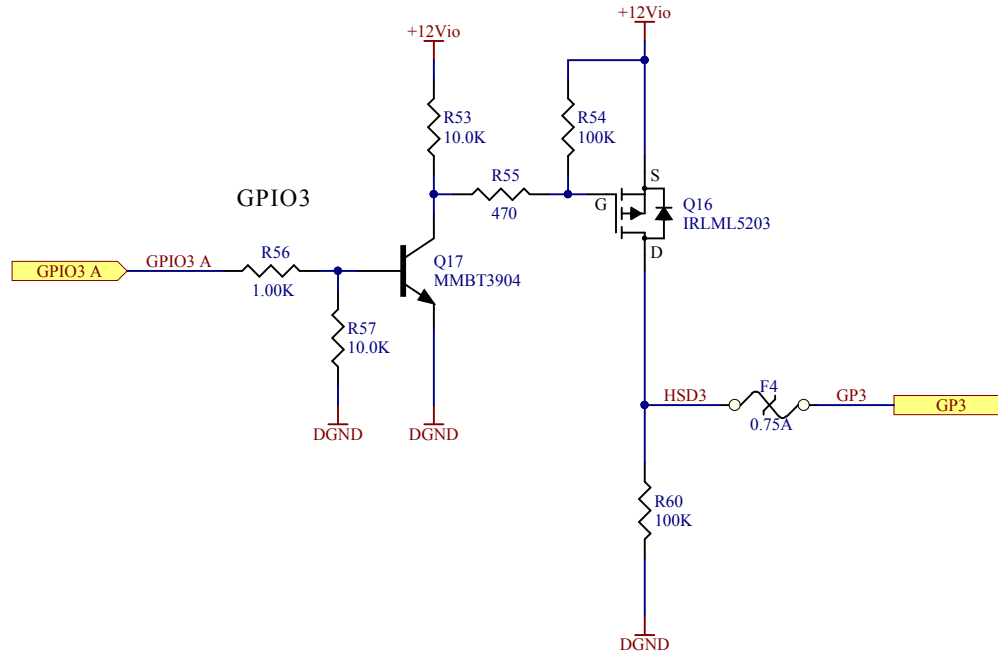
		Macchina LLC. P.O. Box 18701 Minneapolis, MN 55418 612-787-2658	
		Project - Macchina M2 - Interface Board Title: Interface Board - 12V IO Channel 1	
Size:	Document Number:	Revision:	PCB #:
LETTER	SCH-01006	R3	PCB-01006 R3
Date: 9/27/17		Sheet 6 of 16	
File: SCH-01006 R3.SCHDOC		Drawn By: RGR	Eng: JS


# 12V IO Channel 2 (High Side)



		Macchina LLC. P.O. Box 18701 Minneapolis, MN 55418 612-787-2658	
		Project - Macchina M2 - Interface Board Title: Interface Board - 12V IO Channel 2	
Size: LETTER	Document Number: SCH-01006	Revision: R3	PCB #: PCB-01006 R3
Date: 9/27/17		Sheet 7 of 16	
File: SCH-01006 R3.SCHDOC		Drawn By: RGR	Eng: JS

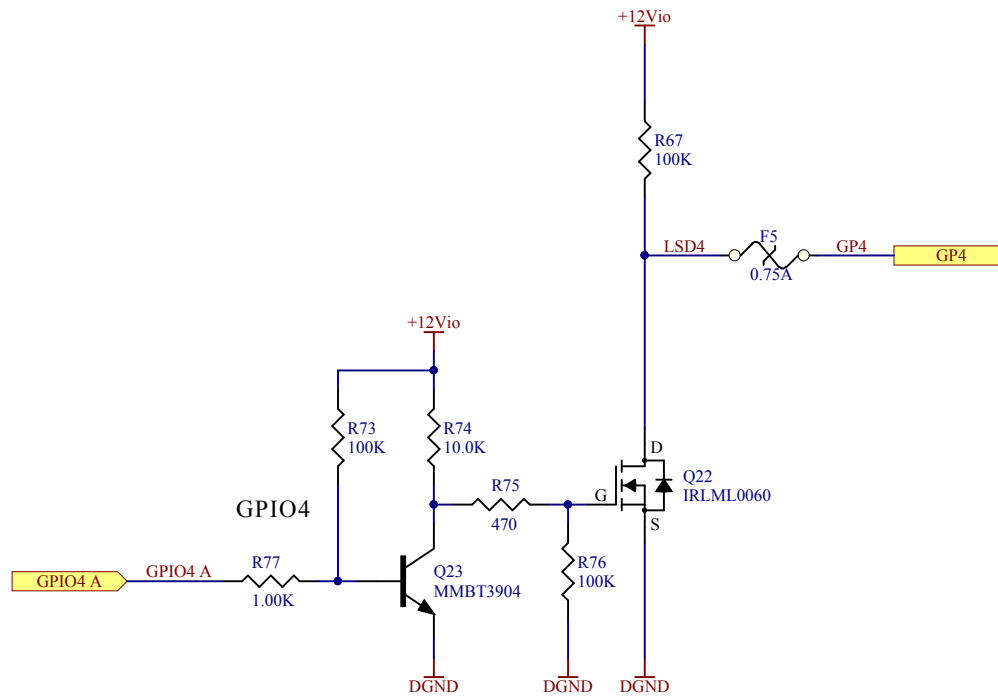
# 12V IO Channel 3 (High Side)



		Macchina LLC. P.O. Box 18701 Minneapolis, MN 55418 612-787-2658	
Project - Macchina M2 - Interface Board Title: Interface Board - 12V IO Channel 3			
Size: LETTER	Document Number: SCH-01006	Revision: R3	PCB #: PCB-01006 R3
Date: 9/27/17		Sheet 8 of 16	
File: SCH-01006 R3.SCHDOC		Drawn By: RGR	Eng: JS



# 12V IO Channel 4 (Low Side)



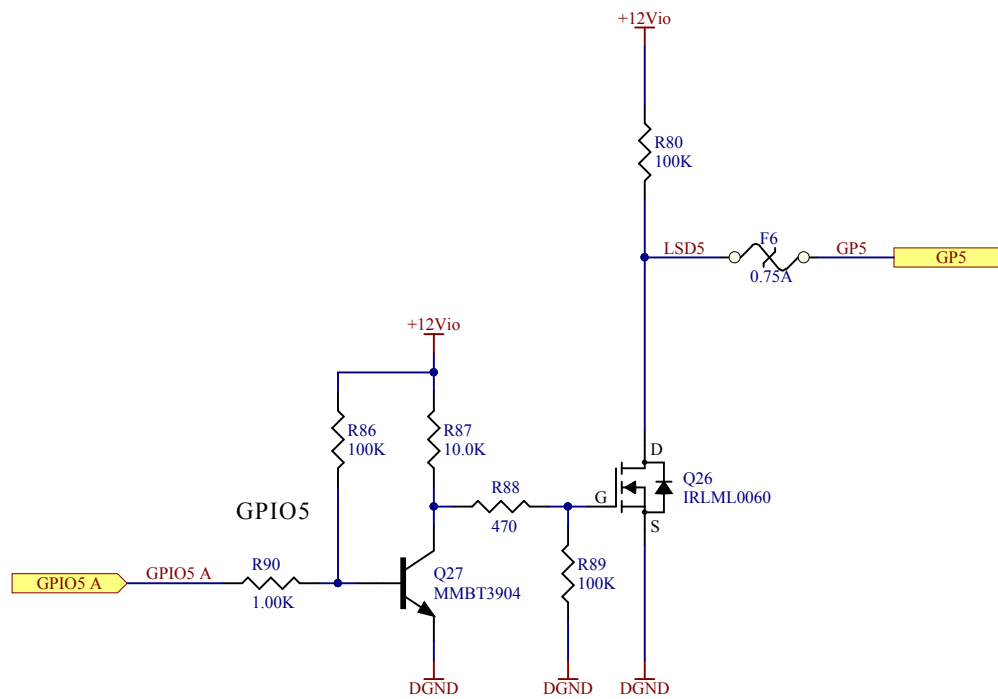
Macchina LLC.  
P.O. Box 18701  
Minneapolis, MN 55418  
612-787-2658


Project - Macchina M2 - Interface Board  
Title: Interface Board - 12V IO Channel 4

Size: LETTER	Document Number: SCH-01006	Revision: R3	PCB #: PCB-01006 R3
-----------------	-------------------------------	-----------------	------------------------

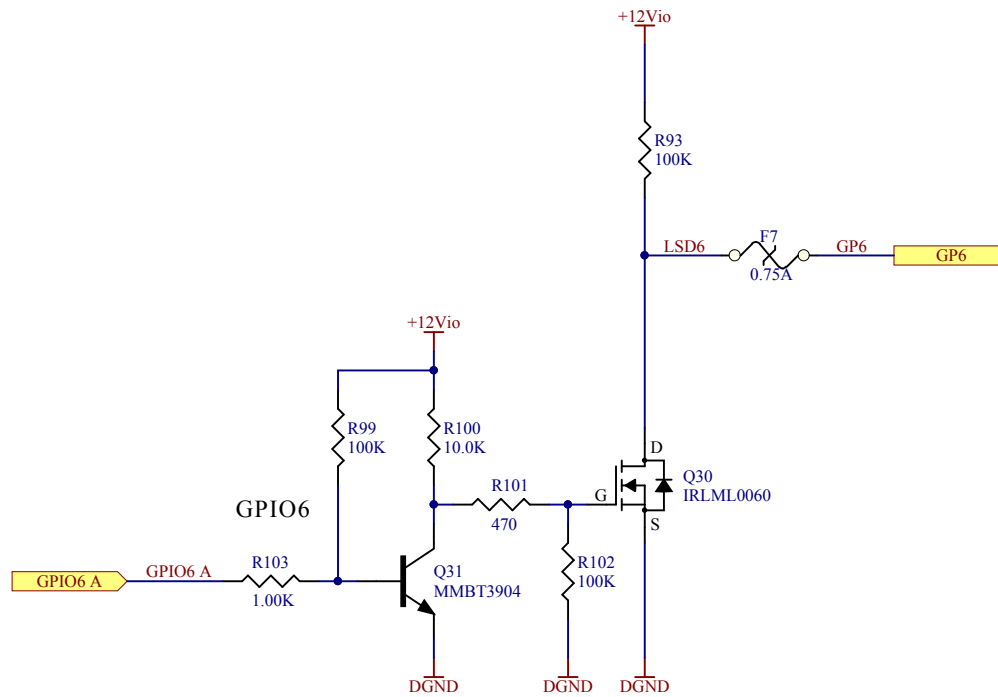
Date: 9/27/17	Sheet 9 of 16
File: SCH-01006 R3.SCHDOC	Drawn By: RGR Eng: JS


# 12V IO Channel 5 (Low Side)



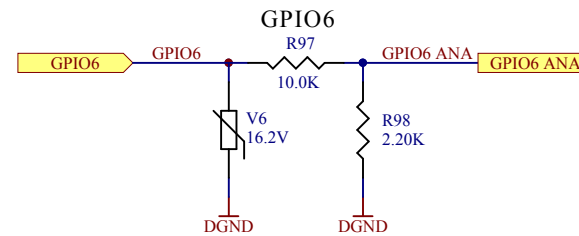
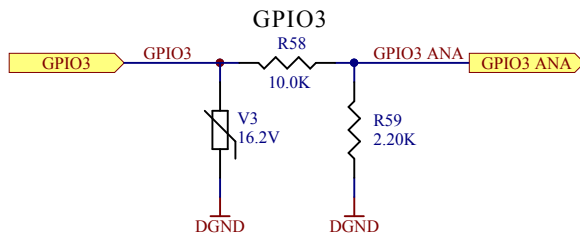
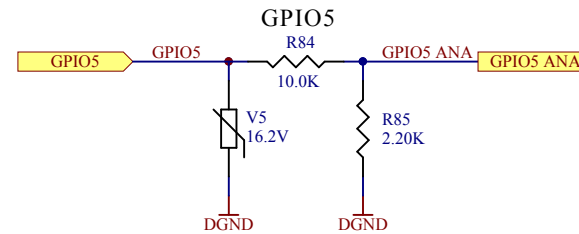
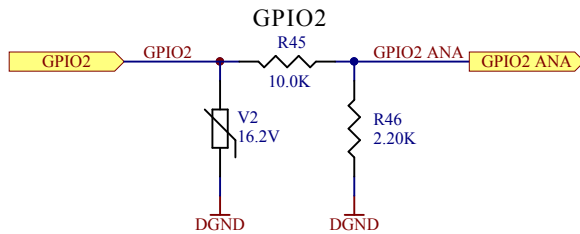
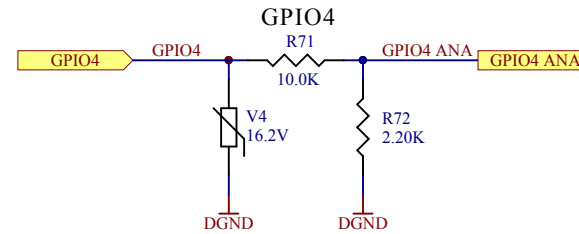
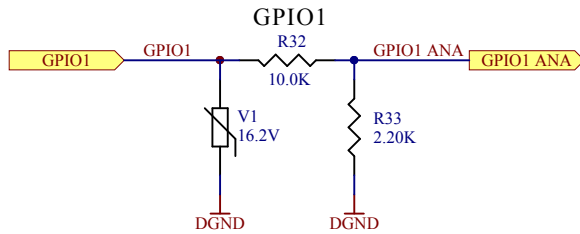
		Macchina LLC. P.O. Box 18701 Minneapolis, MN 55418 612-787-2658	
		Project - Macchina M2 - Interface Board Title: Interface Board - 12V IO Channel 5	
Size:	Document Number:	Revision:	PCB #:
LETTER	SCH-01006	R3	PCB-01006 R3
Date: 9/27/17		Sheet 10 of 16	
File: SCH-01006 R3.SCHDOC		Drawn By: RGR	Eng: JS

# 12V IO Channel 6 (Low Side)



		Macchina LLC. P.O. Box 18701 Minneapolis, MN 55418 612-787-2658	
		Project - Macchina M2 - Interface Board Title: Interface Board - 12V IO Channel 6	
Size: LETTER	Document Number: SCH-01006	Revision: R3	PCB #: PCB-01006 R3
Date: 9/27/17		Sheet 11 of 16	
File: SCH-01006 R3.SCHDOC		Drawn By: RGR	Eng: JS

# Analog Inputs



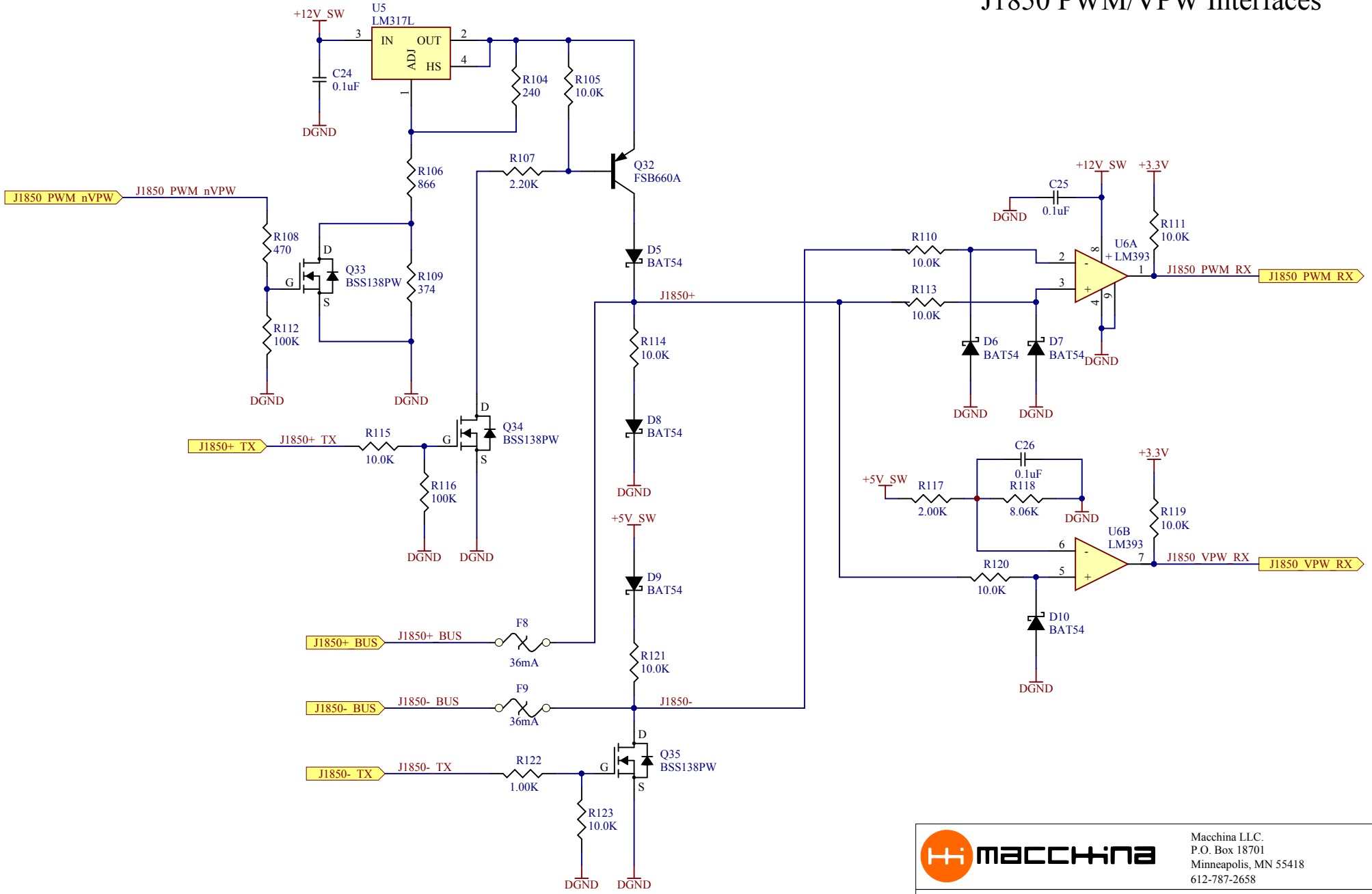
Macchina LLC.  
P.O. Box 18701  
Minneapolis, MN 55418  
612-787-2658


Project - Macchina M2 - Interface Board  
Title: Interface Board - Analog Inputs

Size: LETTER	Document Number: SCH-01006	Revision: R3	PCB #: PCB-01006 R3
-----------------	-------------------------------	-----------------	------------------------

Date: 9/27/17	Sheet 12 of 16
File: SCH-01006 R3.SCHDOC	Drawn By: RGR Eng: JS

# J1850 PWM/VPW Interfaces





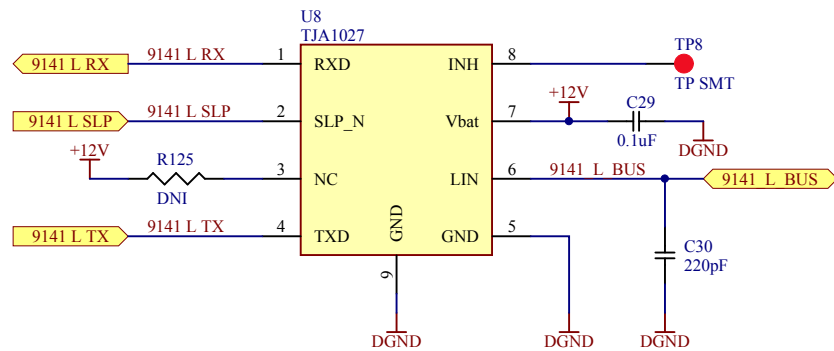
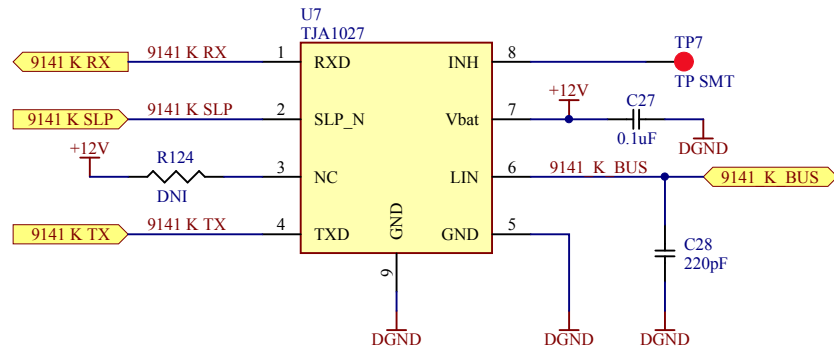
Macchina LLC  
P.O. Box 18701  
Minneapolis, MN 55418  
612-787-2658


---

Project - Macchina M2 - Interface Board  
Title: Interface Board - J1850 PWM/VPW Interface

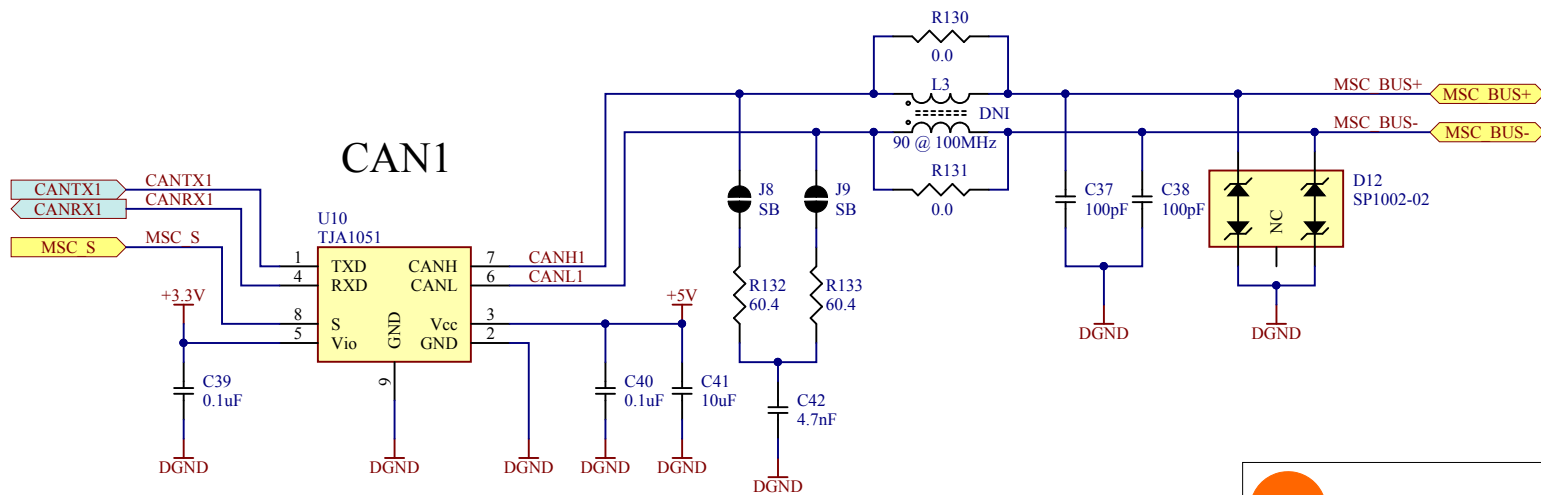
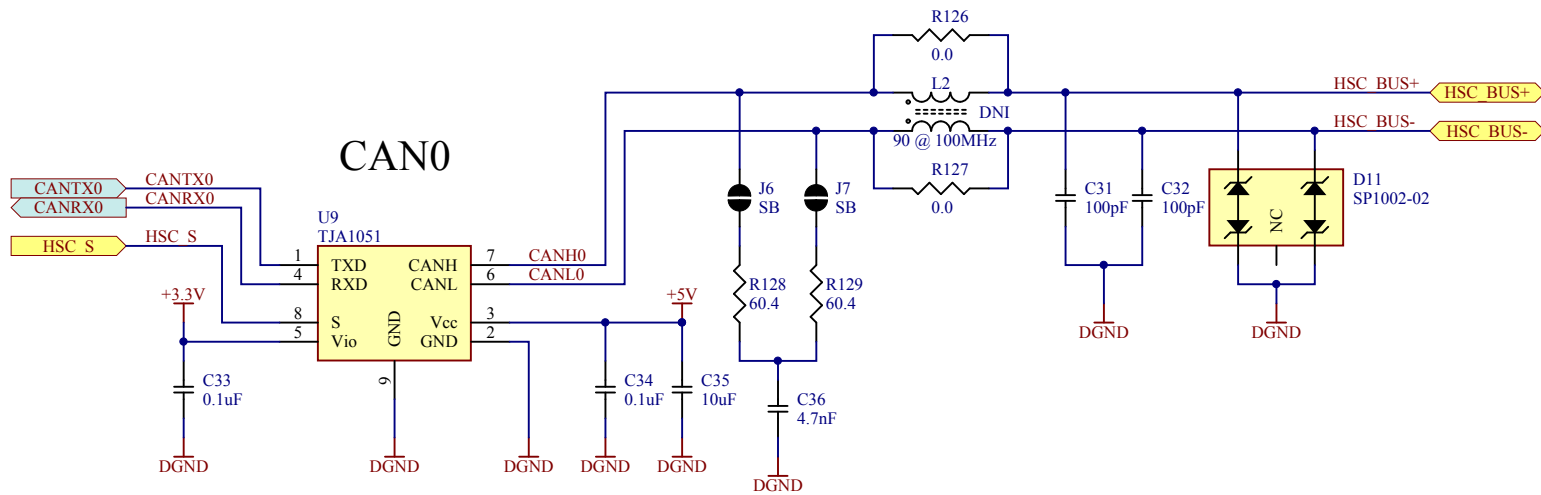
Size: LETTER	Document Number: SCH-01006	Revision: R3	PCB #: PCB-01006 R3
Date: 9/27/17		Sheet 13 of 16	
File: SCH-01006 R3.SCHDOC		Drawn By: RGR	Eng: JS


# ISO 9141 / LIN Interface



		Macchina LLC. P.O. Box 18701 Minneapolis, MN 55418 612-787-2658	
		Project - Macchina M2 - Interface Board Title: Interface Board - ISO9141/LIN Interfaces	
Size:	Document Number:	Revision:	PCB #:
LETTER	SCH-01006	R3	PCB-01006 R3
Date: 9/27/17		Sheet 14 of 16	
File: SCH-01006 R3.SCHDOC		Drawn By: RGR	Eng: JS

# CAN Interfaces



		Macchina LLC P.O. Box 18701 Minneapolis, MN 55418 612-787-2658	
		Project - Macchina M2 - Interface Board Title: Interface Board - CAN Interfaces	
Size:	Document Number:	Revision:	PCB #:
LETTER	SCH-01006	R3	PCB-01006 R3
Date: 9/27/17		Sheet 15 of 16	
File: SCH-01006 R3.SCHDOC		Drawn By: RGR	Eng: JS

