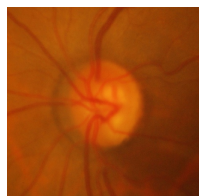
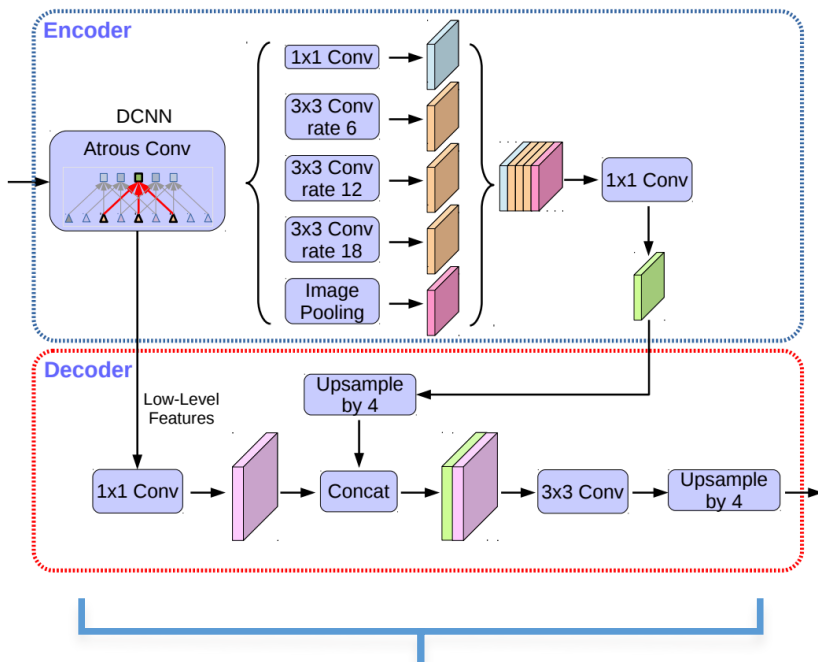


Source Image

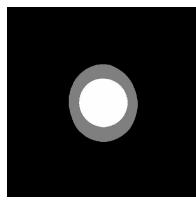


Target Image

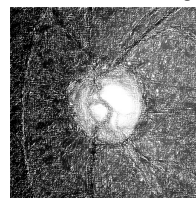


Segmentor: DeepLab V3 (Chen, et al. 2017)

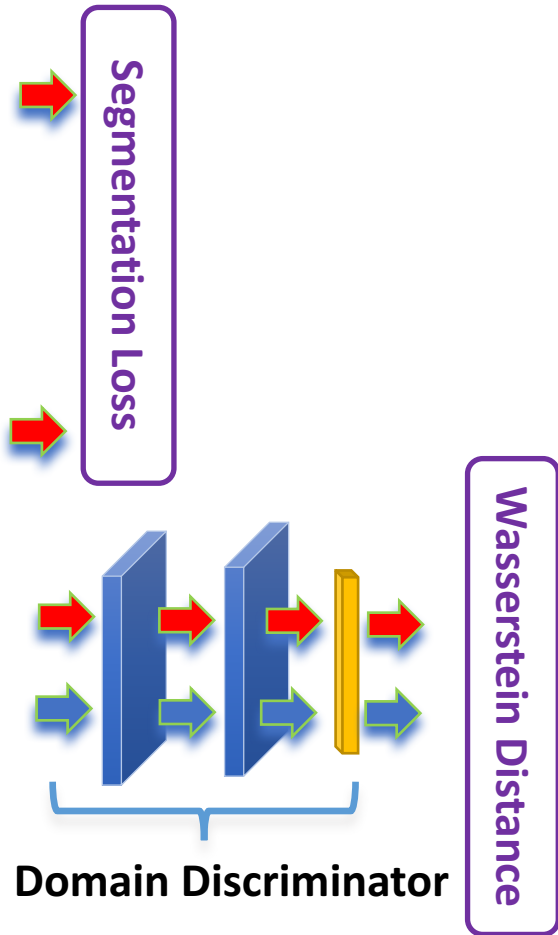
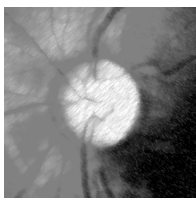
Source Ground Truth



Source Output



Target Output



- Convolution (BN + Leaky ReLU)
- Fully Connected