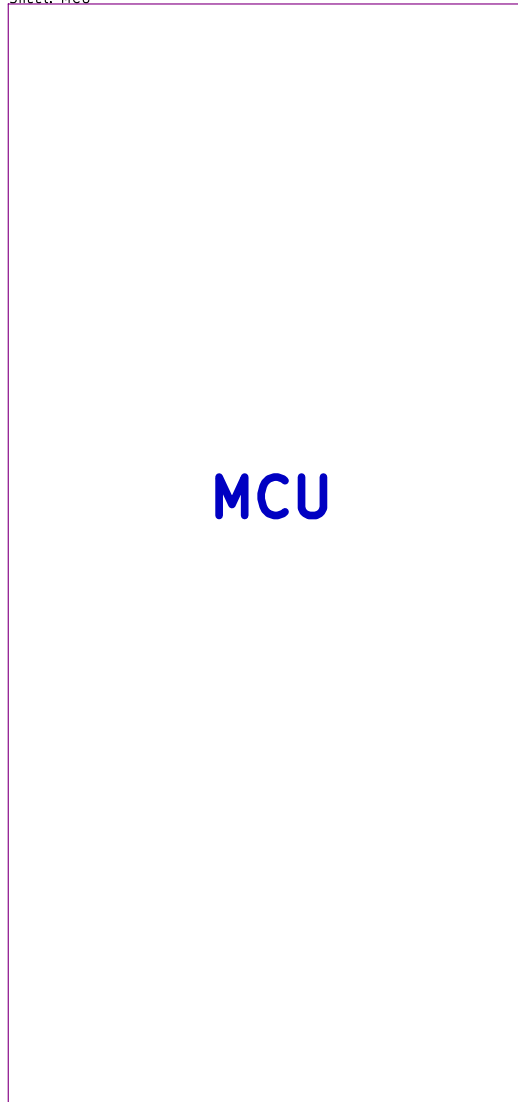


Sheet: MCU



File: MCU.sch

Sheet: POWER



File: POWER.sch

Sheet: MOSFET



File: MOSFET.sch

Sheet: THIM



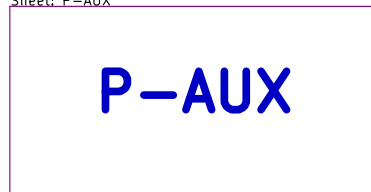
File: THIM.sch

Sheet: ENDSTOP



File: ENDSTOP.sch

Sheet: P-AUX



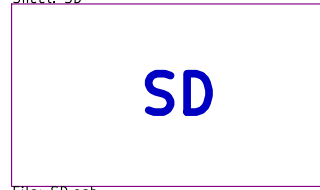
File: P-AUX.sch

Sheet: USB



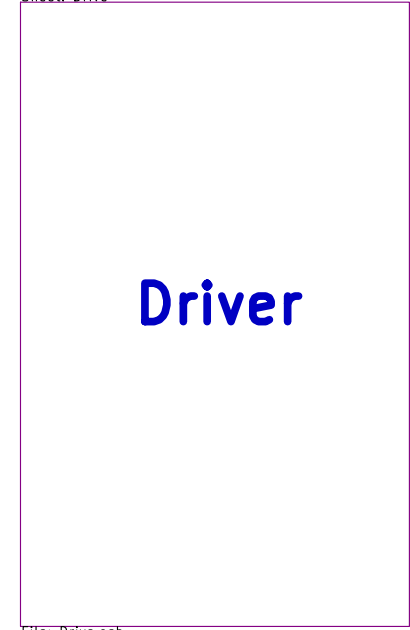
File: USB.sch

Sheet: SD



File: SD.sch

Sheet: Drive



File: Drive.sch

FID1
Fiducial



FID2
Fiducial



FID3
Fiducial



Makerbase

Github : <https://github.com/makerbase-mks>

FaceBook : <https://www.facebook.com/Makerbase.mks/>

Makerbase

Sheet: /
File: MKS Monster8.sch

Title: MKS Monster8

Size: A4 Date: 2021-08-17

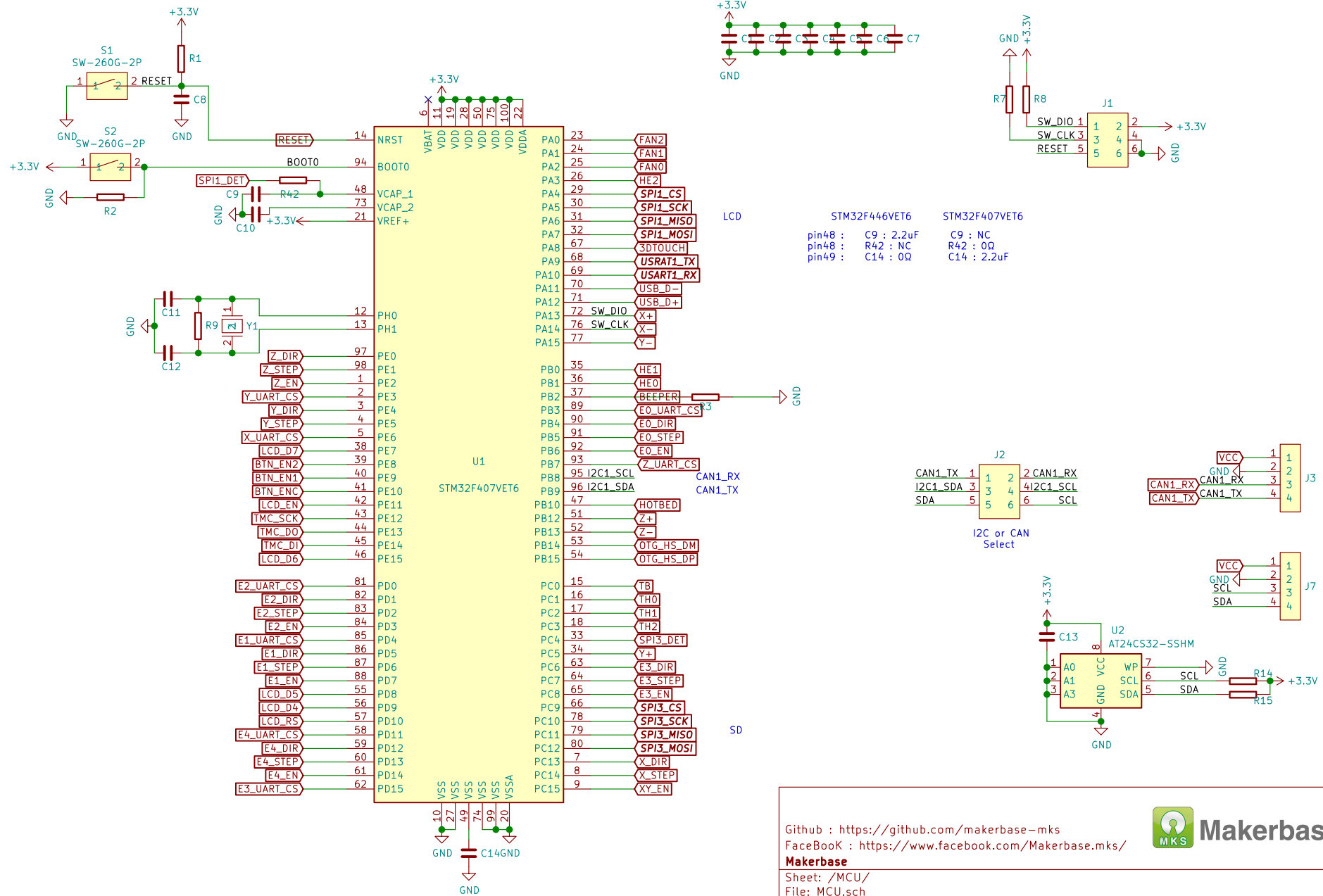
KiCad E.D.A. kicad (5.1.4)-1



Makerbase

Rev: V1.0_003

Id: 1/10

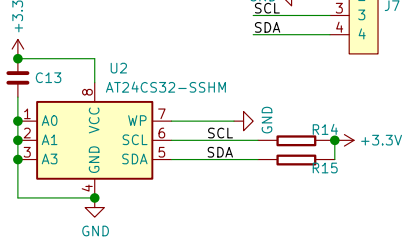


STM32F446VET6 STM32F407VET6
 pin48 : C9 : 2.2uF C9 : NC
 pin48 : R42 : NC R42 : 0Ω
 pin49 : C14 : 0Ω C14 : 2.2uF

J2
 CAN1_TX 1 2 2 CAN1_RX
 I2C1_SDA 3 3 4 I2C1_SCL
 SDA 5 6 6 SCL
 I2C or CAN Select

J3
 VCC 1
 GND 2
 CAN1_RX 3
 CAN1_TX 4

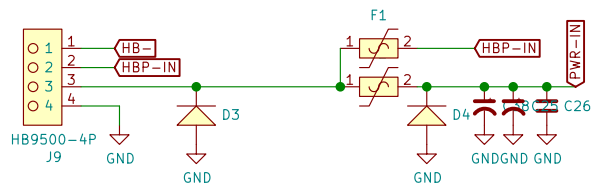
J4
 VCC 1
 GND 2
 SCL 3
 SDA 4



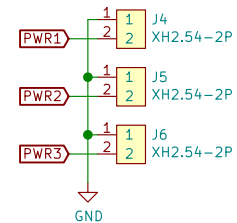
Github : <https://github.com/makerbase-mks>
 FaceBook : <https://www.facebook.com/Makerbase.mks/>



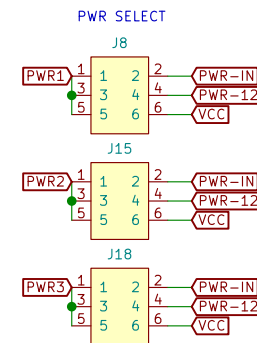
Makerbase	
Sheet: /MCU/ File: MCU.sch	
Title: MKS Monster8	
Size: A4	Date: 2021-08-17
KiCad E.D.A. kicad (5.1.4)-1	Rev: V1.0_003 Id: 2/10



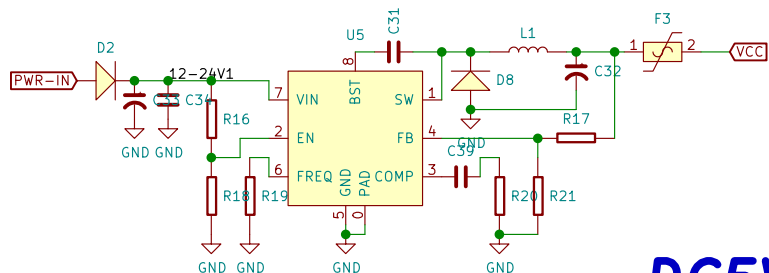
DC IN



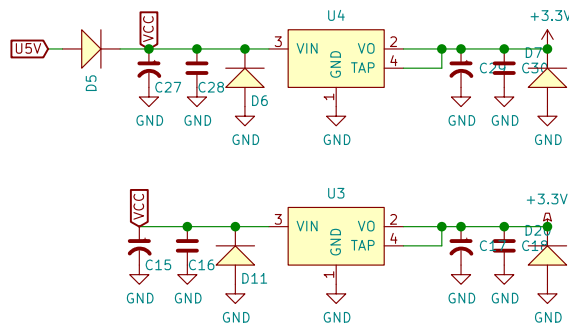
Normally open fan



Power LED

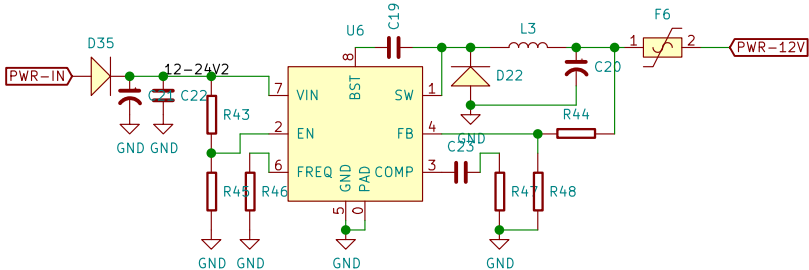


DC5V



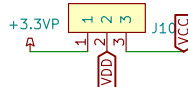
3.3VP only supply for Drive

DC3V



DC12V

Driver IC Power select



Github : <https://github.com/makerbase-mks>
 FaceBook : <https://www.facebook.com/Makerbase.mks/>



Makerbase

Sheet: /POWER/
 File: POWER.sch

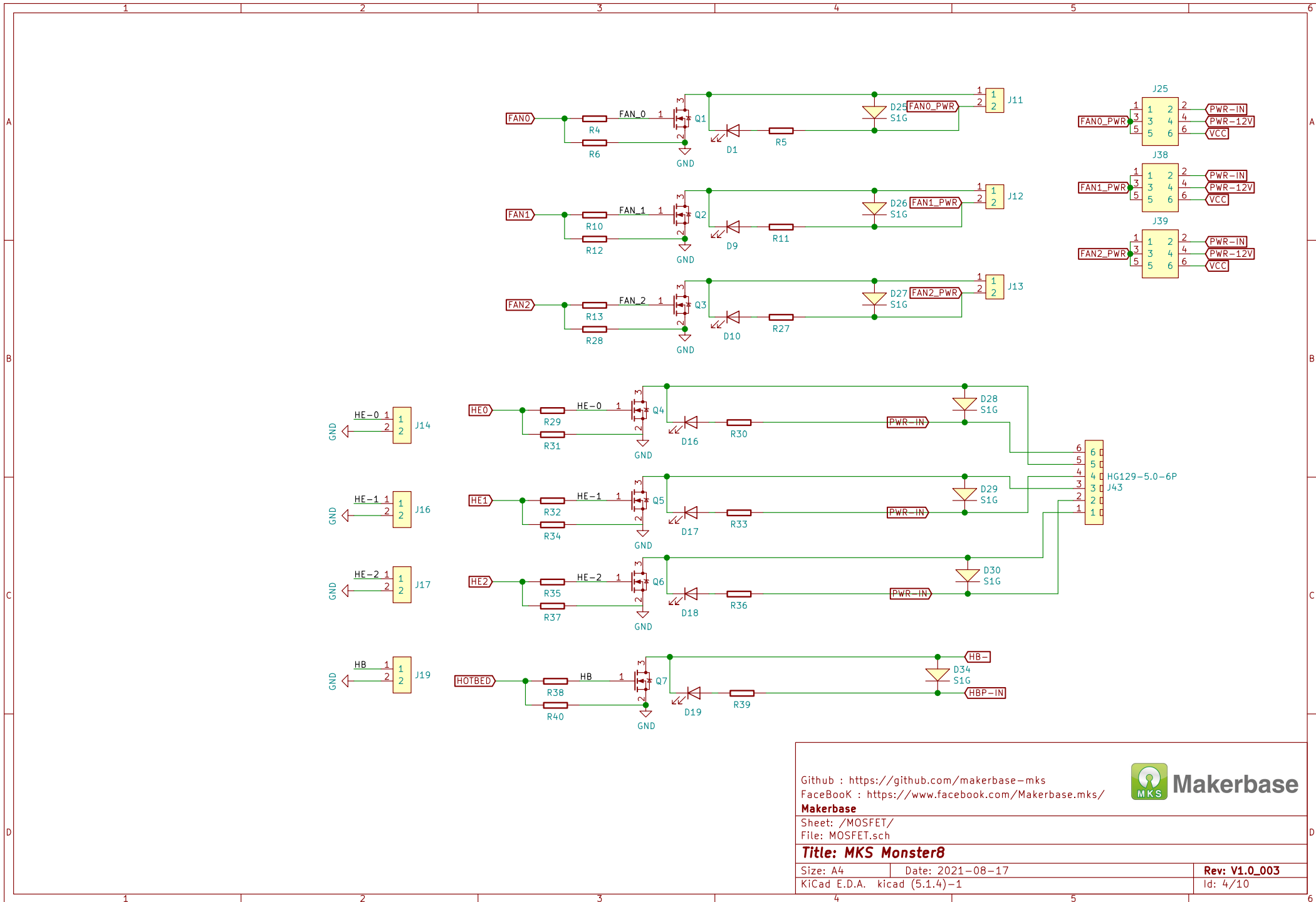
Title: MKS Monster8

Size: A4 | Date: 2021-08-17

KiCad E.D.A. kicad (5.1.4)-1

Rev: V1.0_003

Id: 3/10



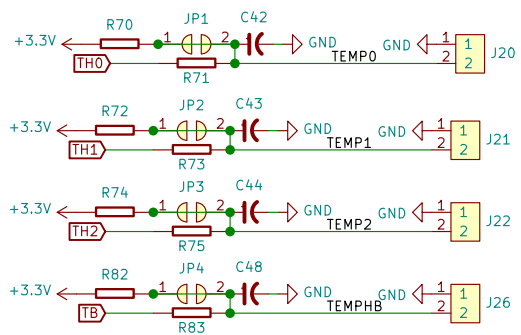
Github : <https://github.com/makerbase-mks>
 FaceBook : <https://www.facebook.com/Makerbase.mks/>



Makerbase
 Sheet: /MOSFET/
 File: MOSFET.sch

Title: MKS Monster8

Size: A4	Date: 2021-08-17	Rev: V1.0_003
KiCad E.D.A. kicad (5.1.4)-1		Id: 4/10



Github : <https://github.com/makerbase-mks>

FaceBook : <https://www.facebook.com/Makerbase.mks/>



Makerbase

Sheet: /THIM/

File: THIM.sch

Title: MKS Monster8

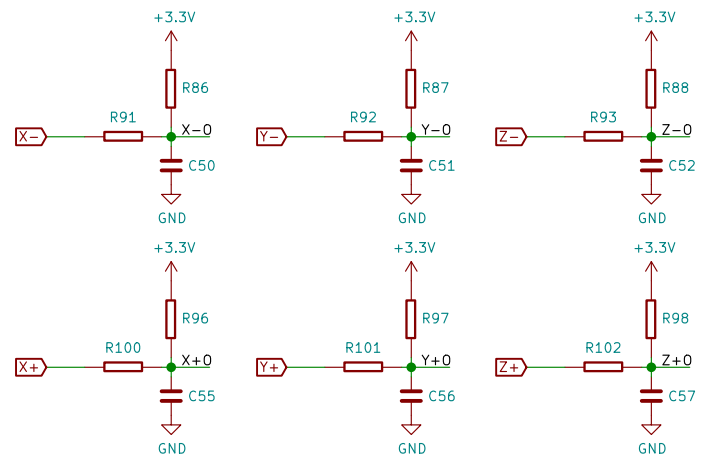
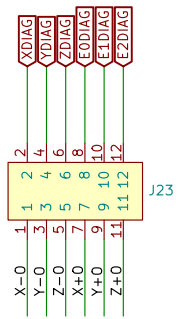
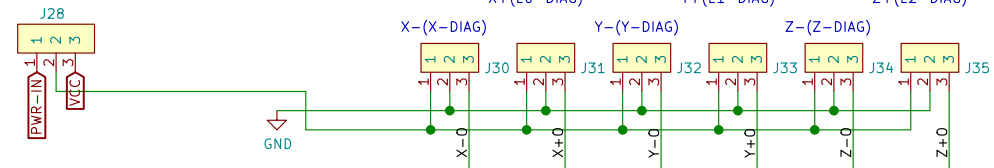
Size: A4 Date: 2021-08-17

Rev: V1.0_003

KiCad E.D.A. kicad (5.1.4)-1

Id: 5/10

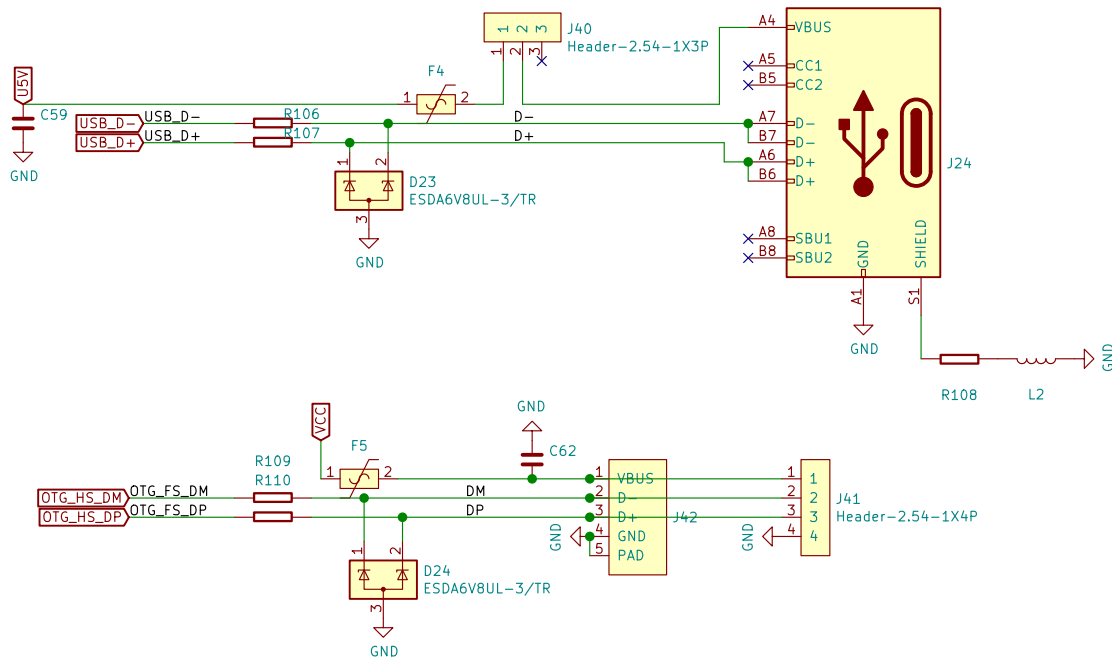
ENDSTOP-PWR Selcet



Github : <https://github.com/makerbase-mks>
FaceBook : <https://www.facebook.com/Makerbase.mks/>



Sheet: /ENDSTOP/ File: ENDSTOP.sch	
Title: MKS Monster8	
Size: A4	Date: 2021-08-17
KiCad E.D.A. kicad (5.1.4)-1	Rev: V1.0_003 Id: 6/10



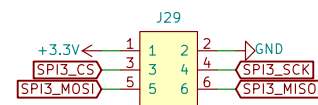
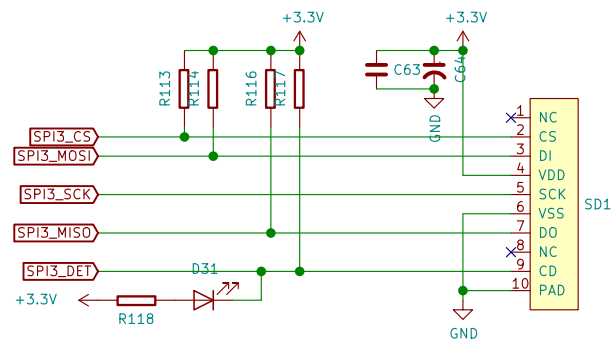
Github : <https://github.com/makerbase-mks>
 FaceBook : <https://www.facebook.com/Makerbase.mks/>



Makerbase
 Sheet: /USB/
 File: USB.sch

Title: MKS Monster8

Size: A4	Date: 2021-08-17	Rev: V1.0_003
KiCad E.D.A. kicad (5.1.4)-1		Id: 7/10



Github : <https://github.com/makerbase-mks>
 FaceBook : <https://www.facebook.com/Makerbase.mks/>



Makerbase

Sheet: /SD/

File: SD.sch

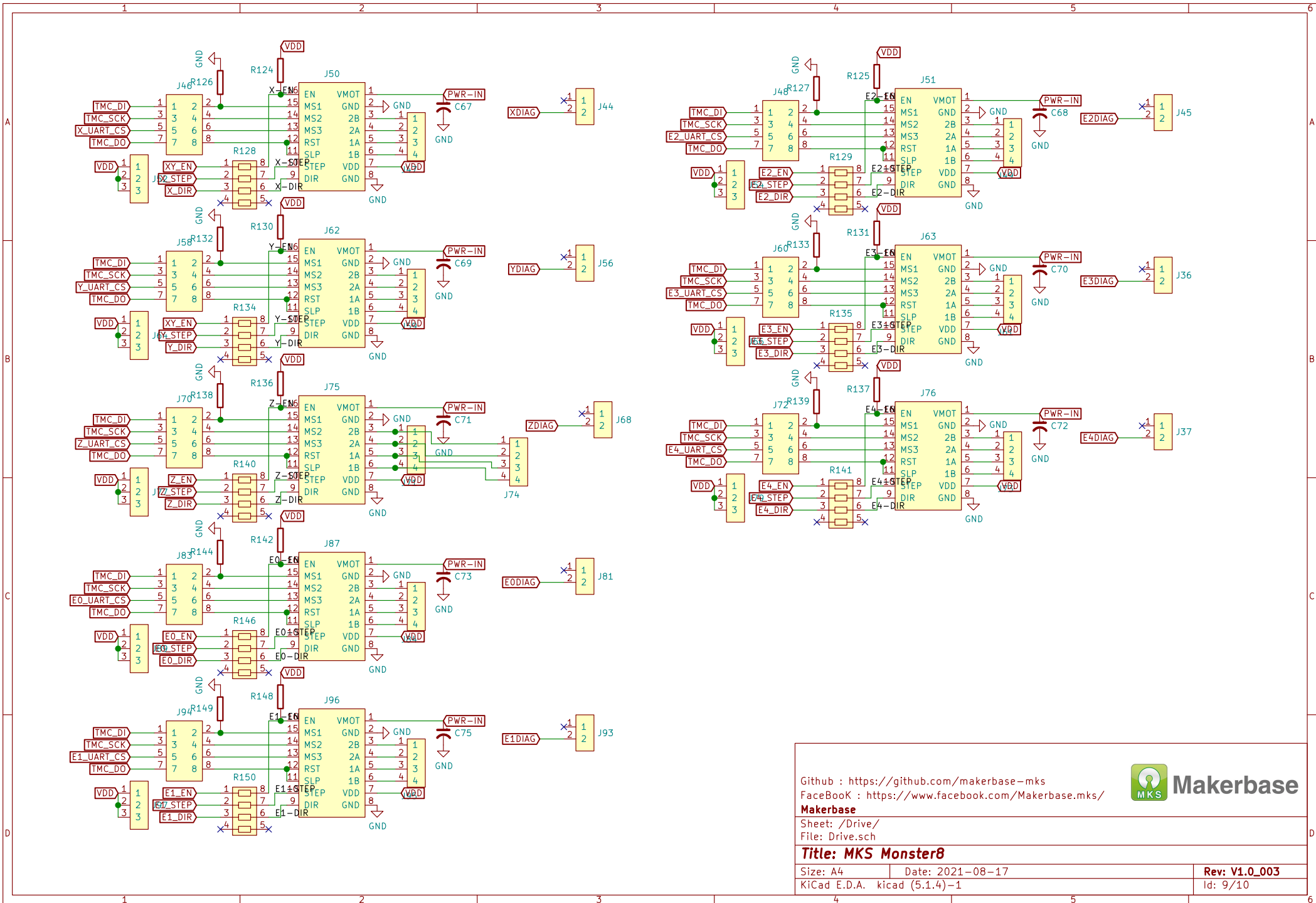
Title: MKS Monster8

Size: A4 Date: 2021-08-17

Rev: V1.0_003

KiCad E.D.A. kicad (5.1.4)-1

Id: 8/10

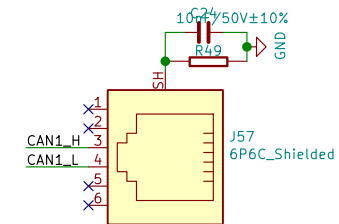
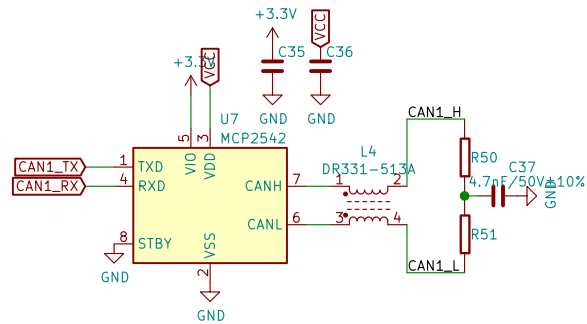
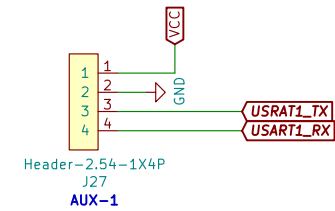
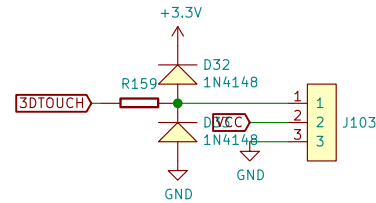
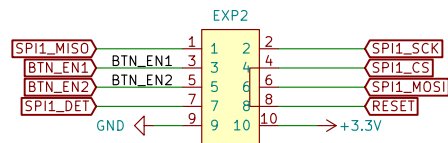
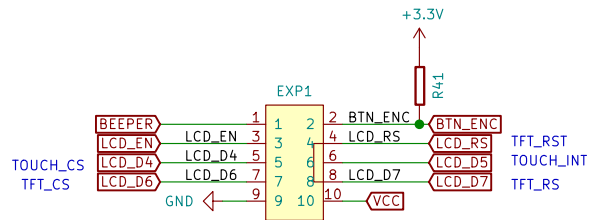


Github : <https://github.com/makerbase-mks>
 FaceBook : <https://www.facebook.com/Makerbase.mks/>
Makerbase
 Sheet: /Drive/
 File: Drive.sch

Title: MKS Monster8

Size: A4	Date: 2021-08-17	Rev: V1.0_003
KiCad E.D.A. kicad (5.1.4)-1		Id: 9/10





Github : <https://github.com/makerbase-mks>

FaceBook : <https://www.facebook.com/Makerbase.mks/>

Makerbase

Sheet: /P-AUX/

File: P-AUX.sch

Title: MKS Monster8

Size: A4 Date: 2021-08-17

KiCad E.D.A. kicad (5.1.4)-1



Makerbase

Rev: V1.0_003

Id: 10/10