

Michael Astwood
University of Waterloo

Lecture notes of
Advanced Quantum Theory

by
Tobias Osborne

March 6, 2020

First release, May 2019
Last Update: March 6, 2020

Contents

1	Introductions	4
1.1	Course Structure	4
1.2	Motivation	5
1.3	Classical Theory of Identical Particles I	6
2	Relative Space and Quantization	9
2.1	Classical Theory of Identical Particles II	9
2.1.1	Tangent Vectors	9
2.1.2	Parallel Transport in Relative Space	10
2.2	Quantization of Identical Quantum Particles I	11
2.3	Quantization of Identical Quantum Particles II	12
2.4	Making Momentum Gauge Invariant	13
2.4.1	Using Parallel Transport	13
2.5	Free Particle in Two Dimensions	15
2.6	Particle Statistics	15
3	Fock Space	16
3.1	Symmetric and Antisymmetric Representation	16
3.2	Antisymmetric/Symmetric Space	18
3.3	Definition of Fock Space	18
3.4	Dynamics in Fock Space	19
3.5	The Number Basis	20
3.6	Number Occupation States	20
3.7	Dimension of H_s^N	21
3.8	Creation and Annihilation Operators	22
4	Canonical (Anti)-Commutation Relations	23
4.1	Annihilation Operator, Notation, and Matrix Elements	23
4.2	Jordan-Wigner Transform	24
4.3	The CCR/CAR Algebra	25
4.4	Hamiltonians in terms of Creation & Annihilation Operators	25
4.4.1	Simplest Dynamics	26
4.4.2	Non-Interacting Dynamics	26
4.4.3	Interacting Dynamics	27
4.5	Nonrelativistic Quantum Fields	28
5	Examples of Multi-Particle Systems	30
5.1	Dilute Neutral Atomic Gas	30
5.1.1	Variational Method	30
5.1.2	Bose-Hubbard Model	31
5.1.3	Coherent States for Quantum Fields	33
5.2	Degenerate Electron Gas	34
6	Scattering Theory	38
6.1	In/Out States	38
6.1.1	Motivation	38
6.1.2	Classical In/Out States	38
6.1.3	Existence Theorem for Quantum Scattering Orbits	39
6.1.4	Proof Sketch of Existence Theorem	39
6.2	Møller Operators	40
6.2.1	Orthogonality and Asymptotic Completeness	41
6.3	Scattering Experiments and the Cross Section	43

6.4	Optical Theorem, Green's Functions, and T Operators	44
6.4.1	Optical Theorem	44
6.4.2	Green's Operator and the T Operator	45
6.5	Stationary Scattering States and the Born Approximation	47
6.6	Spacial Description of Scattering	49
7	Symmetries and Wigner's Theorem	52
7.1	Proof of Wigner's Theorem	52

1 Introductions

Instead of "Advanced Quantum Theory", you could call this course "From one to many". The principle goal of this course is to take the quantum mechanics of a single particle, and apply this quantum mechanics to the theory of many particles.

1.1 Course Structure

Assumed is knowledge about single-particle quantum mechanics: potentials, the hydrogen atom, harmonic oscillators, angular momentum, and so on. The books we will use in this course are as follows:

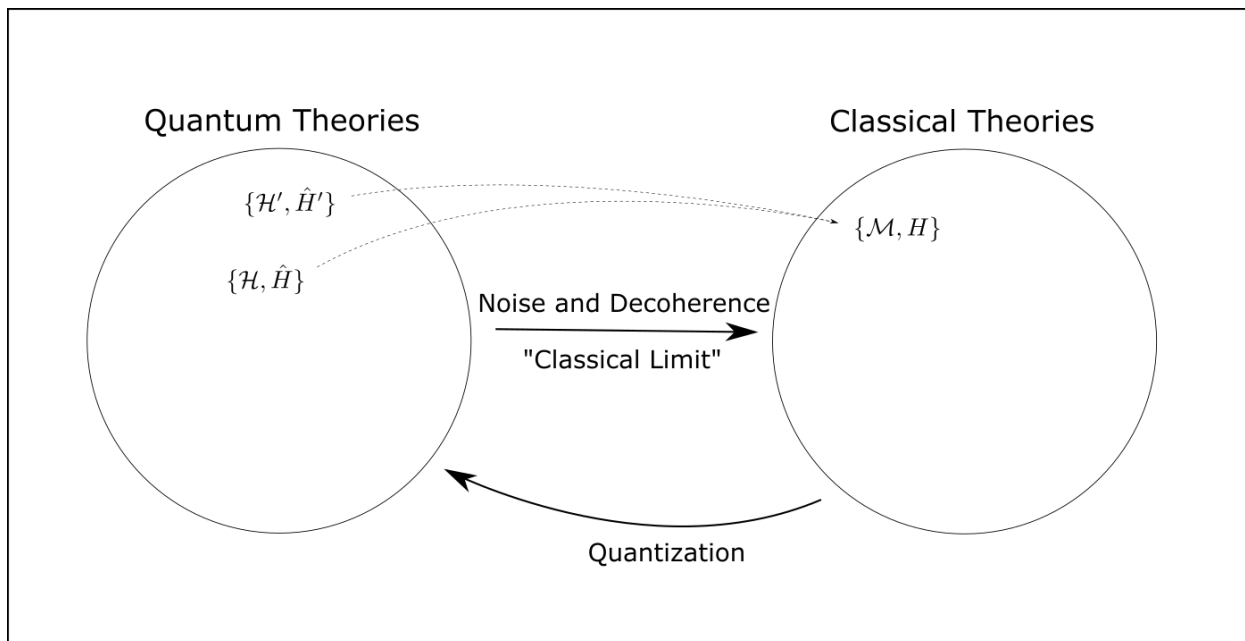
1. *Bratelli & Robinson. Operator Algebras and Quantum Statistical Mechanics (Volume 2)*
2. *Taylor. Scattering Theory: The Quantum Theory of Nonrelativistic Collisions*
3. *Reed & Simon. Methods of Modern Mathematical Physics (Volume 3: Scattering Theory)*
4. *Weinberg. Quantum Theory of Fields (Volume 1: Foundations)*
5. *Leinhaas & Myrheim. On the Theory of Identical Particles*

Course Outline

1. Identical Particles
 - (a) Classical Case
 - (b) Quantum Case
 - (c) Second Quantization
 - (d) Canonical Commutation Relations (CAR/CCRs)
2. Scattering Theory
 - (a) In/Out States
 - (b) Moeller Spaces
 - (c) S-Matrices
 - (d) Green's Operators, T Operators
 - (e) Stationary Scattering States
3. Additional Topics
 - (a) Symmetries
 - (b) Wigner's Theorem

1.2 Motivation

In order to understand how to approach moving from a theory of single particles to a theory of many particles, it is important to understand the way in which physical quantum theories are developed. Figure 1 is a representation of how these theories are built. Consider the space of quantum theories (for the purposes of this, a quantum theory is a pair $\{\mathcal{H}, \hat{H}\}$). Each of these theories has a space of states, \mathcal{H} , and an observable called a Hamiltonian (\hat{H}) which governs the dynamics of those states. When we measure these systems in real life, we are limited by our measurement apparatus. The objects we measure are subject to decoherence, and the apparatus is imperfect, and so through decoherence and imperfect measurement we end up observing something called a "classical limit", which corresponds to one of the many classical theories in the space of classical theories. A classical theory, similarly to a quantum theory, is given by a pair $\{\mathcal{M}, H\}$ of a manifold (or some other topological space) \mathcal{M} called the phase space along with the classical Hamiltonian H governing the dynamics of the system. Quantization is the process of reversing this classical limit - we would like to take $\{\mathcal{M}, H\}$ and find some $\{\mathcal{H}, \hat{H}\}$ which matches the theory. The issue with this is that this process is not well posed - many quantum theories can describe the same classical limit, and we will see examples of this in the course. In order to simplify this task, one of the major tools at our disposal is symmetry! We would expect a quantum theory to have the same symmetries as the classical theory, so narrowing the potential quantum theories down to the ones with these properties is helpful when quantizing a theory. One of the most important symmetries for this course is the symmetry of particle exchange, and that's where we will commence this course.¹



¹For a comprehensive description of "quantization" as a process, see Ali and Englis' review paper on the topic [1]. This course will only cover the Canonical Quantization method in detail, but there is still more to learn in Canonical Quantization as well

1.3 Classical Theory of Identical Particles I

Why do we want to develop a (classical) theory of identical particles? The answer comes in the form of the Gibbs Paradox. The Gibbs Paradox says that if you have an ideal gas in equilibrium in a container, and you place a barrier into the container, the entropy decreases. This would be bad, because you'd be well on your way to breaking the 2nd law of thermodynamics, and infinite wealth, fame, and glory awaits you. (Un)fortunately, this paradox is resolved if the particles are *indistinguishable*. So first of all, why bother studying these systems of identical particles in any more depth? The answer is that they give us an intuition about what to expect our classical limit to look like. Secondly, there are many interesting structures that come out of these systems.

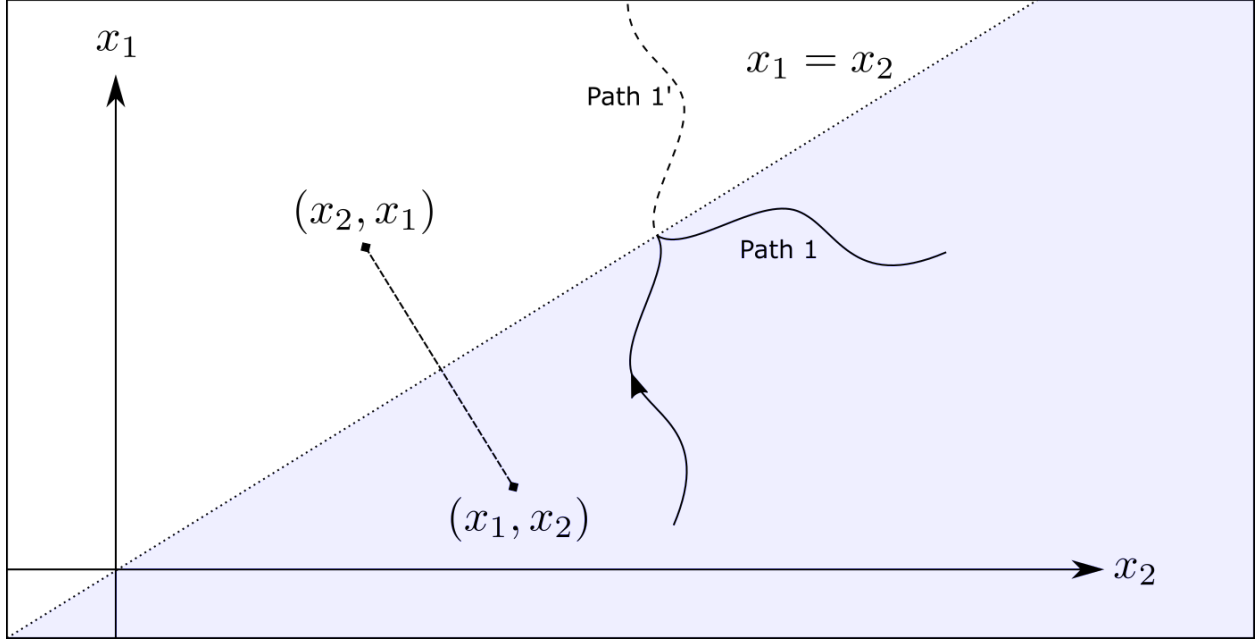
Let's begin with a system of N identical classical particles. One's intuition might guess that the phase space of this system is simply the direct product of the individual phase spaces. Let X be the configuration space of this system, and X_i is the configuration space of some i 'th particle. Then our intuition would tell us that $X = X_1 \times \dots \times X_N$. Let $\pi \in S_N$ (where S_N is the symmetry group on N symbols). Then there is no way to distinguish each state $x = (x_1, \dots, x_N) \in X$ from $x' = (x_{\pi(1)}, \dots, x_{\pi(N)})$ since the particles are identical! To clarify, we have the following:

$$\begin{aligned}x &= (x_1, \dots, x_N) \\ &= (x_{\pi(1)}, \dots, x_{\pi(N)})\end{aligned}$$

Let $x, y \in X$. Then we will define an equivalence relation on X given by $x \sim y$ if $(x_1, \dots, x_N) = (y_{\pi(1)}, \dots, y_{\pi(N)})$. The true configuration space of N particles moving in some system X should therefore be given by the following quotient:

$$\mathcal{M} \equiv X^N / \sim$$

Recall that the elements of a quotient space are the equivalence classes, that is: each element is given by $[x] \equiv \{y | y \sim x\} \in \mathcal{M}$. Typically we abuse notation and write $x = [x]$. If you know about topological spaces, you should by now be saying "uh oh", because quotients do strange things to topological spaces. One of the things a quotient does to a nice topological space is introduce a singularity in the space. We will see this soon. Let's take a simple example: if $X = \mathbb{R}^n$, then as S_N is a finite group, \mathcal{M} is locally diffeomorphic to $(\mathbb{R}^n) \times \dots \times (\mathbb{R}^n)$ (N times). What this means is that if you have N particles far away from each other, then it's as if you can look at each particle on it's own. The interesting things happen when particles are near each other, and that's when you get so-called 'singularities'. So let's look at the simplest example we can come up with. $X = \mathbb{R}$, and $N = 2$.



We are going to choose for our representatives of $\mathcal{M} = \mathbb{R}^2 / \sim$ to be the ones given by $x_1 < x_2$. Then an embedding of \mathcal{M} in \mathbb{R}^2 is given by the region $\{(x, y) : x < y\}$.

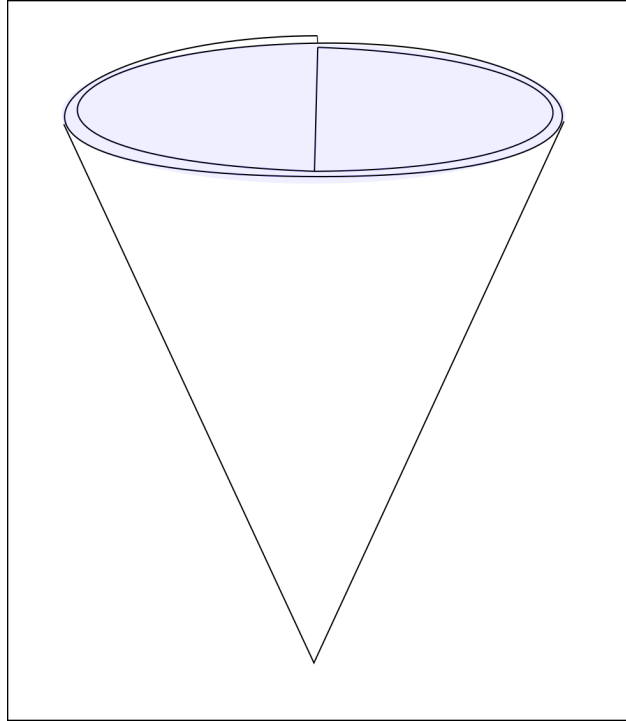
Above is a diagram of our space \mathcal{M} (in blue, embedded in \mathbb{R}^2). We see that in this space, (x_1, x_2) is identified with (x_2, x_1) as $1 \mapsto 2, 2 \mapsto 1$ is the only permutation on \mathbb{R}^2 . You can see that any point in the interior of the space (completely surrounded in blue) is going to be the same as if it were just in \mathbb{R}^2 - this is what we mean by locally diffeomorphic.

Any path in \mathbb{R}^2 which attempts to cross the line $x_1 = x_2$ is going to have something strange happen to it - the path actually reflects, and rather than Path 1' we get Path 1. If you look closely, a tangent vector to the curve undergoes a (discontinuous) reflection when it touches the boundary. This is some interesting behaviour, and demonstrates that our spaces are going to have non-trivial features. Generally, if $X = \mathbb{R}^n$ we are going to introduce the center of mass coordinates. If we are in units where each particle has mass $m = 1$, then we choose the following:

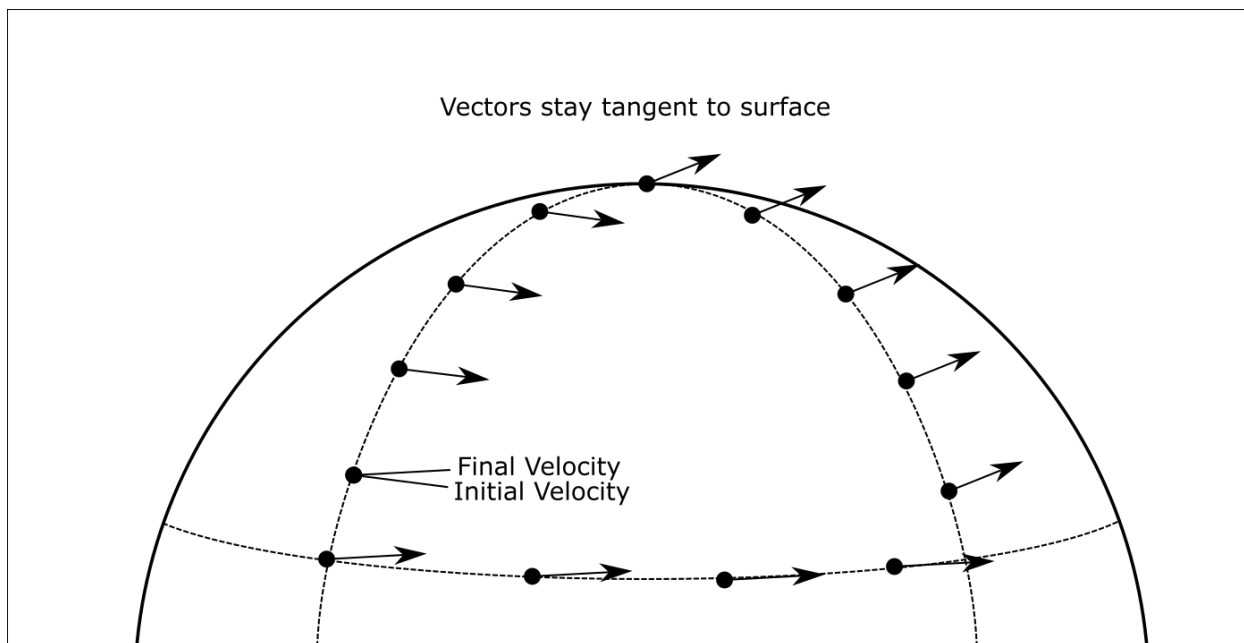
$$x_{cm} = \frac{1}{N} \sum_{i=1}^N x_i$$

This gives us the result that $\pi(x_{cm}) = x_{cm}$ for any $\pi \in S_N$. What this allows us to do is set $\mathcal{M} = \mathbb{R}^n \times r(N, n)$, where $r(N, n)$, the *relative space*, encodes the strange global effects we observe of our space, and \mathbb{R}^n encodes the local information about the space. It turns out that $r(N, n)$ is some $n(N - 1)$ dimensional space, but it is not necessarily a differentiable manifold (this is an example of something called an *orbifold*). Now that we have seen the case of $n = 1, N = 2$, we can move on to arbitrary n . Let's analyze the structure of this relative space $r(2, n)$. Let x_1 and x_2 be the configurations of two particles in \mathcal{M} . For our equivalence relation, if we identify $x = x_1 - x_2$ with $-x = x_2 - x_1$, we see that there is one singular point at 0. In fact, since the equivalence relation simply provides the distance between the two particles in this space as a nice representative, we will see in a second that $r(2, n) \setminus \{0\} = \mathbb{R}^+ \times \mathbb{RP}^{n-1}$. In general, the section given by \mathbb{R}^+ provides the 'length' of the relative coordinate x (which is why it's called a relative space - this is the distance between the particles), and the other part is something called the real projective space. The simplest examples are \mathbb{RP}^0 , which is a point, and \mathbb{RP}^1 , which is a circle. But when $n \geq 3$, \mathbb{RP}^n is a *doubly connected* space, meaning that any closed curve with winding number 2 around the singularity is contractible. The fact that this space is doubly connected (in three dimensions) is important! It will later provide two options for the configuration of a particle, which in turn provides us with two types of particles which we call fermions and bosons. On the other hand, in two dimensions the consequence of \mathbb{RP}^1 being a circle is that since the circle is not simply connected, there are interesting phenomena that happen when particles are constrained to move in two dimensions.

Here's a more specific example. Consider two particles moving in \mathbb{R}^2 . Then we have $\mathcal{M} = (\mathbb{R}^2)^{\times 2} / \sim = \mathbb{R}^2 \times r(2, 2)$. It is an exercise to show that $r(2, 2)$ is the same as the plane \mathbb{R}^2 with the origin removed and where x is identified with $-x$ (that is, $r(2, 2) = \mathbb{R}^2 / a$, where a is the antipodal map). Below is a rather unsatisfying drawing of this space. You can imagine the bottom of the cone as being the origin. The way that the cone wraps around itself indicates how at each point on the cone, two points of \mathbb{R}^2 are represented - the inside being the negative values and the outside being the positive values.



fails! Imagine a curve which goes from some point to the north pole, changes direction, comes back down to the original latitude, and goes back to its' origin. A diagram will help.



You will notice that if you draw vectors which *stay tangent to the surface of the sphere*, then they change direction slightly as you move across the surface of the sphere. A vector (as shown in the diagram) which starts tangent to a line of latitude will eventually end up being perturbed by the motion.

2.1.2 Parallel Transport in Relative Space

Let's consider this parallel transport in our relative space $r(2, 2)$, which we saw earlier could be represented as that sort of 'cone' shape. You can check that on an ordinary trajectory on the surface of this cone, vectors do not undergo any strange transformation. But consider when a vector is transported around the singularity. Suppose the trajectory begins at a point x , and crosses through the point $-x \sim x$. A vector held parallel along this trajectory is going to have to undergo the transformation $v \mapsto -v$ in order to satisfy the criteria for 'parallel transport'. You can see the reasoning behind this in more detail in any text on Differential Geometry.

Now let's look at three dimensions. We consider the relative space $r(2, 3) \cong \mathbb{RP}^2$ of two particles living in three spacial dimensions. A good way to visualize this space is as follows: imagine the sphere, where each point x is identified with the point on the opposite side of the sphere. As you move towards the equator, you need to identify points on opposite sides of the equator. In this way, it's sort of like the upper half of the sphere (of radius $d/2$, where d is the distance between the particles). There are some great visualizations of this on wikipedia, if you look up 'real projective space'.

The next thing to do would be to try to look at trajectories in this space, so let's consider a few different trajectories, as shown in the next figure.

The trajectory T1 is contractible to a point, as this region is clearly simply connected. The trajectory T2 begins at a point on the equator, moves over the surface of the sphere, and then returns to the 'same' point on the other side of the sphere, and the trajectory T3 follows a similar path. It turns out that T3 is contractible to a point, but T2 is not! The reason for this is that T3 passes around the singularity twice, whereas T2 only passes around the singularity once. A space like this is called *doubly connected*, and can be studied in detail in a Topology course.

Now, why did we spend so much time going over these weird properties? I hope this sets the stage for the study of the mysterious properties of these configuration spaces, but these properties don't have much of an effect in classical mechanics. This is because classical mechanics is very local. The place where this

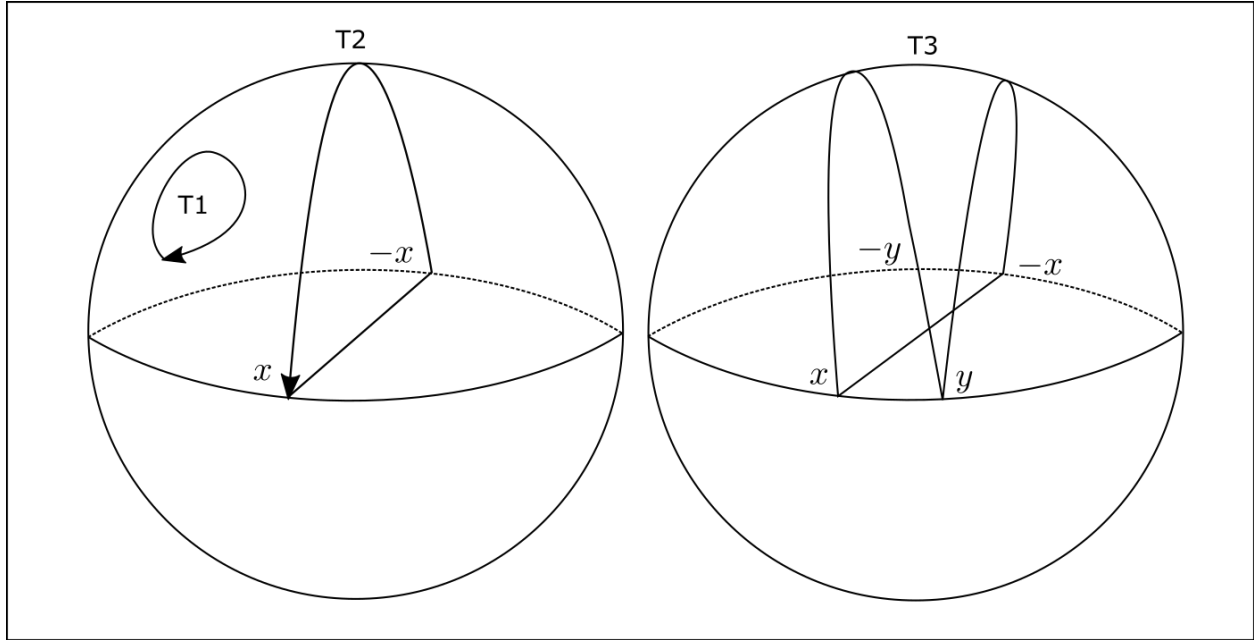


Figure 1: Graphical representation of \mathbb{RP}^2

becomes much more important is in quantum systems. So we are now going to leave the topic of classical particles, and begin the study of quantum point particles.

2.2 Quantization of Identical Quantum Particles I

We need to remember that the problem of quantization is not very well posed. Many quantum systems can result in the same classical system, so we need to consider some guiding principles. As an example, if our configuration space \mathcal{M} is continuous, we should take $L^2(\mathcal{M})$ as our Hilbert space - this is a very common approach. But we know that this is just one example of a probabilistic theory - there are quite a few structure that could give the same probabilistic data for a system, so we need to answer a specific question: **What do we mean by wavefunction?** A very literal approach would be that a wavefunction is a function!

$$\Psi : \mathcal{M} \rightarrow \mathbb{C}$$

But there is an alternative interpretation to the word wavefunction, and it can give inequivalent results! Let's construct it. First we need to build some space E which is locally similar to $\mathcal{M} \times \mathbb{C}$ (it could just be $E \cong \mathcal{M} \times \mathbb{C}$). As an example, we could take $\mathcal{M} = \mathbb{R}$. A trajectory in $E \cong \mathbb{R} \times \mathbb{C}$ would be equivalent to what you've learned in single particle 1D quantum mechanics - below is a diagram of what this looks like. But this construction becomes different when you start looking at spaces which have singularities and other strange properties. So let's put some terminology together.

The space \mathcal{M} is called the *base space*. The space \mathbb{C} is called the *fibre*. The space E is called the *fibre bundle*, and a choice of an element in \mathbb{C} for each point in \mathcal{M} is called a *section*. Since our fibre is \mathbb{C} , we will just call this a \mathbb{C} -bundle.

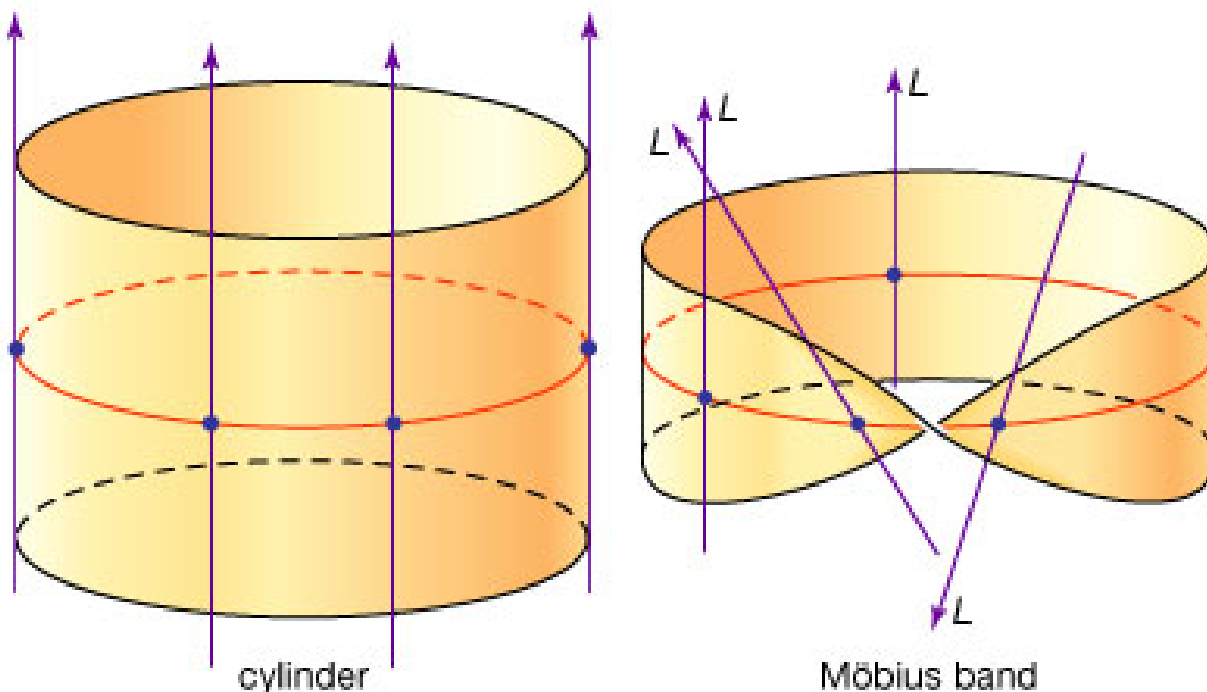
Definition 1 (Vector Bundle). *Let \mathcal{M} be a manifold. Suppose for each point $x \in \mathcal{M}$ we associate a vector space h_x . We define a vector bundle over \mathcal{M} to be the disjoint union $\sqcup_x h_x = E$. This definition provides the existence of a projection $\pi : E \rightarrow \mathcal{M}$ given by $\pi(x, h_x) = x$.*

Definition 2 (Section). *Suppose E is a vector bundle over \mathcal{M} . A section of E is a map $\Psi : \mathcal{M} \rightarrow E$, so that $\Psi(x) = \psi(x)\chi_x$. The set of all sections of E is denoted $\Gamma(E)$.²*

Definition 3 (\mathbb{C} -Bundle). *A \mathbb{C} -bundle over a manifold \mathcal{M} is a vector bundle E where each $h_x \in E$ has $h_x \cong \mathbb{C}$.*

²In the case $E = T\mathcal{M}$ (the tangent bundle), we write $\Gamma(T\mathcal{M}) = \mathfrak{X}(\mathcal{M})$

So that's one interpretation of a wavefunction - it's a section of a \mathbb{C} -bundle over a base space \mathcal{M} (provided the section meets some continuity and differentiability requirements, which won't be discussed in depth). Why go through these complicated constructions with all this terminology? Because there are sometimes multiple nontrivial \mathbb{C} -bundles over a space which are *inequivalent*! We can even go further, as a nice example we can consider relatively simple spaces over which there are inequivalent \mathbb{R} -bundles (fibre bundles where the fibre is \mathbb{R}). We could consider "real" quantum mechanics, where every wave function is real-valued. There are some problems with the theory of real quantum mechanics (mostly with entanglement), but it's a perfectly respectable theory in many ways. So consider the base space $\mathcal{M} = S^1$, the circle. We will construct two different \mathbb{R} -bundles over the circle, which are shown on the following page in a diagram from the Encyclopedia Britannica.



© 2006 Encyclopædia Britannica, Inc.

In order to describe wavefunctions as sections of these bundles, it's therefore important to consider the vector space properties of \mathbb{C} , as you could choose some basis vector for the fibre and it will twist and turn as you move around the base space. The way we do this is to further generalize our fibre bundle. Let's just consider our base space \mathcal{M} , and for each point x in \mathcal{M} we will associate a fibre h_x . In our case, we will always be using $\mathbb{C} = h_x$, but it's important to make this generalization so that we can write the following. We want to make some choice of (normalized) basis vector χ_x for each h_x , so that $\text{Span}(\chi_x) = h_x$. Thus any section Ψ can be written so that you can evaluate Ψ at a point: $\Psi(x) = \psi(x)\chi_x$. You could therefore change this basis vector as you move around the space! Such a choice of χ_x for each h_x is called a choice of gauge, and it's the same gauge you refer to in gauge theory. Suppose you wanted to change your basis vectors, so that

$$\{\chi_x\} \mapsto \{\chi'_x = e^{-i\varphi(x)}\chi_x\}.$$

Then you'd require that $\psi'(x) \mapsto e^{i\varphi(x)}\psi(x)$ so that Ψ is unchanged. This is called a gauge transformation. The fact that physical quantities should not depend on this choice of gauge (gauge invariance!) causes issues when defining your derivative operator, and we will talk about this in the next section.

2.3 Quantization of Identical Quantum Particles II

We won't spend too long talking about the theory of \mathbb{C} bundles. In this lecture we will move towards understanding identical particles, types of identical particles, and how to describe them in quantum mechanics.

Today is the last day we will talk about understanding how there can be more than one quantization for a given classical system, due to this description in terms of \mathbb{C} bundles. So let's get into it. Here's some recap of the previous section.

Recall that a **State** is an assignment of complex vectors at each point in \mathcal{M} , or in other words, it is a section of a \mathbb{C} -bundle over \mathcal{M} . To do computations with this on a computer, we need to choose a basis for each point in the \mathbb{C} -bundle. Such a choice of basis is called a *frame*.

Definition 4 (Frame). *Given a fibre bundle E , A local frame for E on some open set $M \subseteq \mathcal{M}$ is a choice of basis χ_x for each $h_x \in E$, with $x \in M$.*

Definition 5 (Quantum State). *A state $\Psi(x)$ of a quantum system is a section of a \mathbb{C} -bundle over the configuration space \mathcal{M} of the system.*

Let h_x be the fibre at the point $x \in \mathcal{M}$. Then we can choose a normalized basis vector for h_x denoted χ_x . Recall that for \mathbb{R} we can only choose 1 or -1 to be our normalized basis vectors, but in \mathbb{C} we can choose $e^{i\phi}$ to be our normalized basis vector.

Once we've chosen this basis χ_x then we could write $\Psi(x) = \psi(x)\chi_x$.

We want to understand how to keep our quantities invariant to our choice of basis. So let's recall the *Gauge Transformations*, which are transformations of the form $\chi'_x = e^{-i\phi(x)}\chi_x$. Under a gauge transformation, Ψ is transformed by $\Psi'(x) = \Psi(x) \exp(i\phi(x))$. The clear example of a gauge invariant quantity is the probability amplitude $p(x)$; we have, in fact,

$$p'(x) = \overline{\Psi'(x)}\Psi'(x) = \overline{\Psi(x)}e^{-i\phi(x)}e^{i\phi(x)}\Psi(x) = \overline{\Psi(x)}\Psi(x) = p(x)$$

This is expected. But we'd also like to look at other quantities, such as our position and momentum operator.

Definition 6 (Gauge Transformation). *A gauge transformation U is a choice of maps $U_x : h_x \rightarrow h_x$ with $U_x(\chi_x) = e^{-i\phi(x)}\chi_x$. This induces a transformation on sections of E as so: $U[\Psi](x) = e^{i\phi(x)}\Psi(x)$*

2.4 Making Momentum Gauge Invariant

Let's try to show that the momentum operator (that we learned about originally) is not gauge invariant. Recall that (in natural units) $\hat{p} = -i \frac{\partial}{\partial x^k}$

$$\hat{p}\Psi' = -i \lim_{\epsilon \rightarrow 0} \frac{e^{i\phi(x+e_k\epsilon)}\Psi(x+e_k\epsilon) - e^{i\phi(x)}\Psi(x)}{\epsilon}$$

We remark that $\phi(x+e_k\epsilon)$ and $\phi(x)$ are completely uncorrelated and in the limit of $\epsilon \rightarrow 0$ it is not guaranteed that they are equal! We didn't require ϕ to be continuous. What this means is that we could set up an experiment to measure ϕ and receive information about gauge, which means that this formulation is not independent of our choice of basis. The next step is to therefore develop a new notion of momentum.

2.4.1 Using Parallel Transport

As we saw in the previous section, parallel transport provides a nice way of comparing two tangent vectors (in this case the gauge χ_x) in order to develop a new difference quotient. Let's look more closely at the precise definition of parallel transport.

Recall that to parallel transport a vector in a tangent space h_x into a different space h_y . Therefore we'd like a map (preferably a linear one!) that transports these vectors. This map will of course depend on the path $\gamma(t)$ between x and y , and we will denote it $P_\gamma(y, x)$ ³.

Definition 7 (Parallel Transport Map). *The parallel transport map is a linear map $P_\gamma(x, y) : h_x \rightarrow h_y$, with the following additional properties.*

- $P_\gamma(x, x) = \mathbb{I}$

³This map will also often be denoted $\Gamma(\gamma)_x^y$, for example on wikipedia.

- $P_\gamma(y, z) \circ P_\gamma(z, x) = P_\gamma(y, x)$
- $P_\gamma(y, x)$ is an isomorphism (with $P_\gamma(x, y) = P_\gamma^{-1}(y, x)$)

We would like $P_\gamma(y, x)$ to be gauge invariant so that the following holds:

$$P_\gamma(y, x) \mapsto e^{-i\phi(y)} P_\gamma(y, x) e^{i\phi(x)} \quad (1)$$

We would also like to see that $P_\gamma(y, x) \rightarrow \mathbb{I}$ as $y \rightarrow x$ as long as γ is a sufficiently well behaved path (that is, it's the most "direct path" between the two points)⁴. In other words, $P_\gamma(x + dx, x) \approx \mathbb{I} - idx^k b_k(x)$, where b_k are the relevant Taylor expansion coefficients.

This discussion of parallel transport leads us to our next definition, the covariant derivative. This is a method of differentiating vector fields (ie, sections of vector bundles) which leaves the structure of a manifold intact.

Definition 8 (Covariant Derivative). *Let \mathcal{M} be a manifold with \mathbb{C} -bundle E . Suppose there is a suitably well behaved parallel transporter P on E , and that $\Psi \in \Gamma(E)$. The covariant derivative in the direction of e^k is denoted D_k and is defined as follows.*

$$D_k \Psi(x) = \lim_{h \rightarrow 0} \frac{P_\gamma(x, x + he^k) \Psi(x + he^k) - \Psi(x)}{h} \quad (2)$$

$$= \lim_{h \rightarrow 0} \frac{(\mathbb{I} - ihe^k b_k(x)) \Psi(x + he^k) - \Psi(x)}{h} \quad (3)$$

$$= \left[\frac{\partial}{\partial x^k} - ib_k(x) \right] \Psi(x) \quad (4)$$

Exercise 2.1. Determine how $b_k(x)$ transforms under a gauge transformation $\chi'_x = e^{-i\phi(x)} \chi_x$

Exercise 2.2. Show that D_k is gauge invariant.

Exercise 2.3. Show that for a single particle with spin, the Hamiltonian $\sum_k \frac{1}{2m} D_k^2 = H$ is equivalent to that given by a static magnetic field (this tells us how such geometric changes could be induced experimentally). In the end, you will learn that these $b_k(x)$ are similar to the choice of magnetic field - they are related to the gauge field A .

The issue with this is that we want particles to locally behave like free particles - we don't want particles on their own in the middle of nowhere to act as if they are in magnetic fields. So we need to choose $b_k(x)$ so that the 'fictitious' magnetic force is zero. For nontrivial geometries, there do exist choices of $b_k(x)$ so that the force field will vanish (that is - the curvature tensor associated with the fictitious field vanishes). You may recall this expression from electrodynamics (it essentially says that A is curl-free, or that $B = 0$).

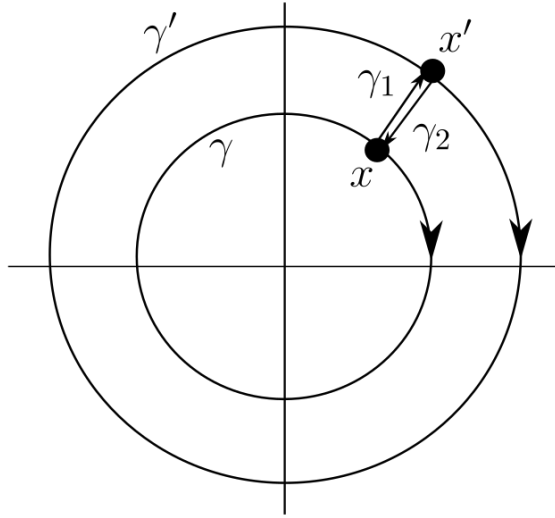
$$f_{k\ell}(x) = i[D_k, D_\ell] = \frac{\partial b_\ell}{\partial x^k} - \frac{\partial b_k}{\partial x^\ell} = 0 \quad (5)$$

As long as equation 5 is imposed everywhere (except singularities, such as is the case on $\mathcal{M} = r(2, 2)$) we will have freedom in choosing the b_k terms. This freedom at the singularities allows us to pick nontrivial b_k terms, which gives rise to interesting phenomena in 2-d materials. Due to b_k being curl free, we also now know that $P_\gamma(y, x)$ is path independent as long as γ does not encircle the singularity.

Let's study what happens when you go in a loop around the singularity. You can see that $P_\gamma(x, x)$ should just be some number $e^{i\xi}$ for some $\xi \in [0, 2\pi)$, as $h_x \cong \mathbb{C}$ and $\dim(\mathbb{C}) = 1$. However, this ξ turns out to be independent of x !

So when $e^{i\xi} = 1$, nothing happens when you move around a singularity - this means the wavefunction is unchanged! However, when $e^{i\xi} \neq 1$, you will be able to generate phases of $e^{i\xi n}$ for any $n \in \mathbb{Z}$ by transporting vectors around the singularity. This means that if you have some strange system with $e^{i\xi} \neq 1$ then dynamical effects will be observable due to the geometry of the system. This can only happen in two spacial dimensions!

⁴a minimal geodesic



$$P_{\gamma'}(x', x') = P_{\gamma_1}(x', x)P_{\gamma}(x, x)P_{\gamma_2}^{-1}(x, x')$$

Figure 2: The two paths γ and γ' belong to the same homotopy class and then the above identity must hold.

2.5 Free Particle in Two Dimensions

Now let's consider the free particle in two dimensions. We will neglect center of mass coordinates, and use polar coordinates. The standard hamiltonian for a free particle in two dimensions is the following.

$$H = \frac{-1}{m} \left(\frac{\partial^2}{\partial r^2} + \frac{1}{r} \frac{\partial}{\partial r} + \frac{1}{r^2} \frac{\partial^2}{\partial \phi^2} \right) \quad (6)$$

When you have this property that wavefunctions pick up a phase of $e^{i\xi}$ when you go around the singularity, you impose a nontrivial boundary condition: $\Psi(r, \phi + 2\pi) = e^{i\xi} \Psi(r, \phi)$. This is what gives us strange dynamics - polar coordinates no longer gives us nice symmetry.

Alternative approach

There is, however, a transformation you can make to the Schrodinger equation that makes it easier to solve. The strategy is to replace Ψ with $\Psi'(r, \phi) = e^{i\frac{\xi}{2\pi}\phi} \Psi(r, \phi)$. Then the Hamiltonian transforms as $H' = e^{-i\frac{\xi}{2\pi}\phi} H e^{i\frac{\xi}{2\pi}\phi}$. This gives $H\Psi = H'\Psi'$, so the solutions to the Schrodinger equation are unchanged. But observe what happens:

$$H' = \frac{-1}{m} \left(\frac{\partial^2}{\partial r^2} + \frac{1}{r} \frac{\partial}{\partial r} + \frac{1}{r^2} \left(\frac{\partial}{\partial \phi} + \frac{i\xi}{2\pi} \right)^2 \right) \quad (7)$$

Exercise 2.4. Solve the Schrödinger equation for H (via H' in Eq. (7)).

2.6 Particle Statistics

This weirdness doesn't happen in three dimensions. The reason is that $\mathbb{R}\mathbb{P}^{n-1}$ is doubly connected. Any curve γ^2 that goes around the singularity twice is contractible. Therefore we have $P_{\gamma^2}(x, x) = e^{2i\xi} = 1$, so $\xi = 0$ or $\xi = \pi$. In the case that $\xi = \pi$, we have the dynamics of a fermion. In the case that $\xi = 0$ we have the dynamics of a boson! But what does it mean to go around the singularity once in $\mathbb{R}\mathbb{P}^{n-1}$? It means you exchange the two particles. This is why fermions are antisymmetric under exchange, which is what causes the Pauli exclusion principle. We will see this in extreme detail in the following lectures.

3 Fock Space

In the previous three lectures we've been looking at the quantum theory of identical particles in 3D. You can see what we've covered in these lectures as the tip of a very large iceberg, which as a society we've only really begun to explore. What we have a good understanding of is the theory of identical point particles in 3 spacial dimensions or higher. What we have begun to uncover is the theory of extended, or membrane-like, interacting particles (ie, strings and so on). This falls under the title of "modular tensor categories". We will move on from this, but I wanted to make you aware before we move on that this field is still being studied extensively even now.

Another subject, very closely related - being the tip of this iceberg, is the study of Fock space and 'second quantization'. This is what we will cover for the next few lectures.

3.1 Symmetric and Antisymmetric Representation

We've learned about single particles in our elementary quantum mechanics course. What we would like to do is work out the Hilbert space to assign to a system of multiple particles provided that each of the particles has some Hilbert space of states H . Well, what we do know is the Hilbert space for N distinguishable particles, let's call it \mathcal{H} .

$$\mathcal{H} = H^{\otimes N} =: \bigotimes_{i=1}^N H \quad (8)$$

But this space is too big to be what we want for indistinguishable particles. There are states in this space which would be physically the same. As an example, if you consider these to be position states of particles, then exchanging two particles would produce a positive or negative sign - in the case of a Boson there would be degeneracy here as the states would be identical.

We will use this information we learned - that $|x_1, x_2\rangle = \pm |x_2, x_1\rangle$ - and turn it into a way to reduce our Hilbert space to be something smaller. Of course, there is more information we could consider - such as when a particle has internal degrees of freedom such as spin. These are called parastatistics, but we won't cover them in this course.

The best way to reduce our model is to find a subspace of \mathcal{H} which corresponds to exactly the unique configurations. There is a direct connection here between quantum theory and the representation theory of S_N on N symbols. This motivates us to define a representation.

Definition 9. *Suppose G is a group.⁵ A representation U of G over some vector space V is a group homomorphism $U : G \rightarrow B(V)$, where $B(V)$ is the group of bounded linear operators on V .*

There are multiple definitions of a representation, but it doesn't matter here. We will focus on unitary representations since in this course we will usually consider transformations which correspond to unitary representations of some group. That is to say, we would like $U(g)$ to be unitary for any $g \in G$. There is a natural action of S_N on $H^{\otimes N}$ given as follows.

$$U(\sigma) |x_1, \dots, x_N\rangle = |x_{\sigma(1)}, \dots, x_{\sigma(N)}\rangle \quad (9)$$

This action extends by linearity to our entire space (ie $U(\sigma)(a|\psi\rangle + b|\phi\rangle) = aU(\sigma)|\psi\rangle + bU(\sigma)|\phi\rangle$). What we should do, even though it is a tedious exercise, is write down a matrix for an example and see where that takes us.

Consider the permutation $\pi(1, 2, 3) = (3, 1, 2)$. We'd like to see the representation of this matrix on some space. Let's pick \mathbb{C}^2 as our H , and $\mathcal{H} = H^{\otimes 3}$. Fix a basis $|0\rangle, |1\rangle$ for the individual space. Then a basis for \mathcal{H} is given as:

$$|000\rangle, |001\rangle, |010\rangle, |011\rangle, |100\rangle, |101\rangle, |111\rangle$$

Then a matrix representation for π is given as follows.

⁵A group G is a set endowed with an operation which takes two elements of G and produces a third. This operation must be invertible (in the sense that there exists a^{-1} for every a), and there must be an identity. We also require this operation to be associative.

$$U(\pi) = \begin{bmatrix} 1 & 0 & 0 & 0 & 0 & 0 & 0 & 0 \\ 0 & 0 & 1 & 0 & 0 & 0 & 0 & 0 \\ 0 & 0 & 0 & 0 & 1 & 0 & 0 & 0 \\ 0 & 0 & 0 & 0 & 0 & 0 & 1 & 0 \\ 0 & 1 & 0 & 0 & 0 & 0 & 0 & 0 \\ 0 & 0 & 0 & 1 & 0 & 0 & 0 & 0 \\ 0 & 0 & 0 & 0 & 0 & 1 & 0 & 0 \\ 0 & 0 & 0 & 0 & 0 & 0 & 0 & 1 \end{bmatrix} = \mathbb{I} \oplus \begin{bmatrix} 0 & 1 & 0 & 0 & 0 & 0 \\ 0 & 0 & 0 & 1 & 0 & 0 \\ 0 & 0 & 0 & 0 & 0 & 1 \\ 1 & 0 & 0 & 0 & 0 & 0 \\ 0 & 0 & 1 & 0 & 0 & 0 \\ 0 & 0 & 0 & 0 & 1 & 0 \end{bmatrix} \oplus \mathbb{I}$$

You will notice that this matrix was block diagonal (to an extent). It is usually nice to look for bases where our matrices decompose into direct sums (or bases where our matrices can't be decomposed at all!). Such a choice of basis where matrices can't be decomposed into blocks (ie, a choice of representation associated with that basis) is called an irreducible representation. Let's move on now.

Since our particles are indistinguishable, there is no physically realizable experiment which could distinguish between two identical states. This means that for any observable A , we must have $U(\pi)A = AU(\pi)$ for all π . A very special role is played by vectors $|\psi\rangle$ such that $U(\pi)|\psi\rangle = \pm|\psi\rangle$. If we rewrite this in a peculiar way: $U(\pi)|\psi\rangle = u(\pi)|\psi\rangle$, you will see that this is an eigenvalue equation. We are searching for subspaces of $H^{\otimes N}$ which are simultaneous eigenspaces of all the permutation operators. The first thing we should argue is that this $u(\pi)$ is itself a representation of S_N on \mathbb{C} . We argue this because you will note that $U(\pi_1\pi_2) = u(\pi_1)u(\pi_2)$. Our claim is that there are only two distinct one-dimensional representations of the symmetric group. The proof is as follows.

Recall that every element of S_N can be written as a product of other elements: $\pi = \tau_{ij} \circ \dots \circ \tau_{k\ell}$ where each τ_{ij} is a 'transposition' (ie, for $\tau_{ij}(\ell)$ takes $i \rightarrow j$ and $j \rightarrow i$, and $\ell \rightarrow \ell$ if $j \neq \ell \neq i$). Thus we can deduce that for any one-dimensional representation of S_N we have $u(\pi) = \prod_k u(\tau_{ij_k})$. This means that all one-dimensional representations are entirely characterized by the representations of the transpositions. We can try something else as well: note that $u(\pi)u(\tau_{ij})u(\pi^{-1}) = u(\pi \circ \tau_{ij} \circ \pi^{-1}) = u(\tau_{\pi(i)\pi(j)}) = u(\tau_{ij})$ (think about it for a minute). But for any i, j there is some permutation so that $\pi(i, j) = (1, 2)!$ So we have completely characterized all representations by specifying $u(\tau_{12})$. We also know that $u(\tau_{12})^2 = 1$, as transpositions are their own inverse, so there are only two possible solutions to this equation: $u(\tau_{12}) = \pm 1$. This completely determines all one-dimensional representations of S_N .

Definition 10 (Trivial Representation). *The trivial 1D representation of S_N is u so that $u(\tau_{12}) = 1$. This means that $u(\pi) = 1$ for all $\pi \in S_N$.*

Definition 11 (Antisymmetric Representation). *The antisymmetric representation of S_N is u so that $u(\tau_{12}) = -1$. This means that for any $\pi \in S_N$ we have $u(\pi) = \text{sgn}(\pi)$.*

There is a fancy notation we can use in order to cover both cases at the same time - this way we don't need to always worry about which representation to deal with. Let's define s as follows.

$$s(\pi) = \begin{cases} 1 & u(\tau_{12}) = 1 \\ \text{sgn}(\pi) & u(\tau_{12}) = -1 \end{cases}$$

3.2 Antisymmetric/Symmetric Space

Now that we have some machinery developed to study Bosons and Fermions, let's look at the following construction.

$$P_+ = \frac{1}{N!} \sum_{\sigma \in S_N} U(\sigma) \quad (10)$$

$$P_- = \frac{1}{N!} \sum_{\sigma \in S_N} \text{sgn}(\sigma) U(\sigma) \quad (11)$$

First of all, it's not clear what exactly these matrices are. What we see is that they are big sums of unitary matrices, but are they Hermitian? Unitary? What are they? We claim that these are both projections. That is: $P_{\pm}^2 = P_{\pm}$. We go through the proof of the first case, leaving the second as an exercise.

$$P_+^2 = \frac{1}{(N!)^2} \sum_{\pi, \pi'} U(\pi) U(\pi') = \frac{1}{(N!)^2} \sum_{\pi, \pi'} U(\pi \circ \pi')$$

Let $\sigma = \pi \circ \pi'$. Then we have:

$$P_+^2 = \frac{1}{(N!)^2} \sum_{\sigma, \pi^{-1}} U(\sigma) = \frac{1}{(N!)^2} \sum_{\sigma} U(\sigma) \sum_{\pi^{-1}} 1 = \frac{1}{N!} \sum_{\sigma} U(\sigma) = P_+$$

Since these operators are projections, this tells us they have some associated invariant subspace V where $P_{\pm}(V) = V$. Let's name these subspaces.

Definition 12 (Symmetric/Antisymmetric Space). *We define the antisymmetric and the symmetric Hilbert spaces in the following formula.*

$$\mathcal{H}_{\pm}^N = P_{\pm}(\mathcal{H}) = P_{\pm}(H^{\otimes N}) \quad (12)$$

We see the following properties arise from these subspaces.

Let $|\psi\rangle \in H_-^N$. Then $U(\tau_{12})|\psi\rangle = U(\tau_{12})\frac{1}{N!} \sum_{\pi} \text{sgn}(\pi) U(\pi)|\psi\rangle$

$$U(\tau_{12})|\psi\rangle = \frac{1}{N!} \sum_{\pi'} \text{sgn}(\tau_{12}^{-1} \circ \pi') U(\pi')|\psi\rangle = \frac{1}{N!} \sum_{\pi'} \text{sgn}(\tau_{12}) \text{sgn}(\pi') U(\pi')|\psi\rangle = -|\psi\rangle$$

Similarly, for any $\psi \in \mathcal{H}_+^N$, $U(\pi)|\psi\rangle = |\psi\rangle$. This essentially gives us a way of defining Fermions and Bosons rigorously as elements of subspaces of an abstract Hilbert space. Let's introduce some shorthand notation.

$$H_s^N = \begin{cases} H_+^N & \text{for bosons} \\ H_-^N & \text{for fermions} \end{cases}$$

With $s = +1$ when we talk about Bosons and vice versa for Fermions.

3.3 Definition of Fock Space

Now we would like to generalize from a space with N particles to a space with arbitrary numbers of particles. This way we can introduce or remove particles from our system. In fact, we can even allow N itself to be a quantum number, and allow superpositions of states with differing numbers of particles! This leads to a process commonly known as Second Quantization whereby the notion of a 'particle' itself changes significantly. The space which allows this is called Fock Space, with the following definition.

Definition 13 (Fock Space). *We define the symmetric/antisymmetric Fock Space $\Gamma_s(\mathcal{H})$ as the direct sum of all the individual Hilbert spaces.*

$$\Gamma_s(\mathcal{H}) = \bigoplus_{N=0}^{\infty} \mathcal{H}_s^N =: \bigoplus_{N=0}^{\infty} \Gamma_{s,N}(\mathcal{H}) \quad (13)$$

Note that we define H_s^0 to be $H_s^0 =: \mathbb{C}$. This is the 'vacuum' space, with basis vector $|\Omega\rangle$, which is the vacuum state. It is the state of the system when there are no particles at all.

Recall that we can decompose a vector into it's components in a space. Let's do this for an arbitrary state $|\psi\rangle \in \Gamma_s(\mathcal{H})$. We see that $|\psi\rangle = \sum_{n=0}^{\infty} \sum_{i=0}^n \psi_n |\phi_i\rangle$, where each $|\phi_i\rangle$ is a basis vector from $\Gamma_{s,N}(\mathcal{H})$. It is easy to see that $\Gamma_{s,N}(\mathcal{H})$ is a separable space, but it remains to be shown that there is an inner product on this space. We will simply write $|\psi\rangle = \sum_{n=0}^{\infty} |\psi_n\rangle$ for the components of a vector in Fock space instead. Thus the scalar product on this space is $\langle\psi|\phi\rangle = \sum_{n=0}^{\infty} \langle\psi_n|\phi_n\rangle$. Now let's look at some observables on this space! What could we measure? The first one that comes to mind is the particle number operator \hat{N} .

Definition 14 (Number Operator). *We define the particle number operator \hat{N} as follows.*

$$\hat{N} |\psi_N\rangle = N |\psi_N\rangle \forall \psi_N \in \Gamma_{s,N}(\mathcal{H}) \quad (14)$$

This way, states of determinate particle number are states where the only components are members of a subspace comprised of states with exactly N particles.

3.4 Dynamics in Fock Space

Now we would like to see what happens when we change the space according to some dynamics. That is, we want to look at maps $A : \mathcal{H}_1 \rightarrow \mathcal{H}_2$ and extend them to maps between different Fock spaces. This will allow us to define time evolution and so on. Well, we know how to produce from A a linear operator from $\mathcal{H}_1^{\otimes N} \rightarrow \mathcal{H}_2^{\otimes N}$. We just tensor A together N times.

$$A^{\otimes N} : \mathcal{H}_1^{\otimes N} \rightarrow \mathcal{H}_2^{\otimes N}$$

It turns out that the tensor product of operators respects antisymmetry and symmetry. That is to say, $A^{\otimes N}(\Gamma_{s,N}(\mathcal{H}_1)) = \Gamma_{s,N}(\mathcal{H}_2)$. You may recall this from previous studies of tensors. This comes from the fact that $[U(\pi), A^{\otimes N}] = 0$. We introduce some notation now.

$$\Gamma_s(A) : \Gamma_s(\mathcal{H}_1) \rightarrow \Gamma_s(\mathcal{H}_2) \quad (15)$$

This definition is given by the following:

$$\Gamma_s(A) = \bigoplus_{N=0}^{\infty} \Gamma_{s,N}(A) =: \bigoplus_{N=0}^{\infty} A^{\otimes N} \quad (16)$$

Where \oplus here is the matrix direct sum. If you think of A as performing some kind of operation on vectors, say a rotation or something. Then we can think of $\Gamma_{s,N}(A)$ as performing the same operation to each of the particles in the space independently. This is a reminder of the simple formula $A \otimes B(|a\rangle \otimes |b\rangle) = (A|a\rangle) \otimes (B|b\rangle)$ from undergrad quantum mechanics.

There are some observations to make of the norms of these operators. We know that $\|A^{\otimes N}\| \leq \|A\|^N$. This means that if $\|A\| \leq 1$ then $\|A^{\otimes N}\| \leq 1$, and you could even show that $\|\Gamma_s(A)\| \leq 1$.

It can also be seen that $\Gamma_s(\mathbb{I}_{\mathcal{H}}) = \mathbb{I}_{\Gamma_s(\mathcal{H})}$, and that $\Gamma_s(A^\dagger) = \Gamma_s(A)^\dagger$. It's also true that $\Gamma_s(AB) = \Gamma_s(A)\Gamma_s(B)$.

Let $U : \mathcal{H} \rightarrow \mathcal{H}$ be some unitary change of basis. Then $\Gamma_s(U)$ is unitary as well, and performs the same change of basis on each component space of the Fock space individually and independently. All of this follows from the definition of the direct sum and the definition of the tensor product. This is a very powerful tool.

There's one particular change of basis that is important - the time evolution operator. So if we have some unitary U which depends on t so that $U(t) =: e^{-itH}$, then $\Gamma_s(U(t))$ is a possible time evolution operator in Fock space. The Hamiltonian corresponding to this time evolution operator is the following.

$$d\Gamma_s(H) = H \otimes \mathbb{I} \otimes \dots \otimes \mathbb{I} + \mathbb{I} \otimes H \otimes \dots \otimes \mathbb{I} + \dots + \mathbb{I} \otimes \dots \otimes \mathbb{I} \otimes H$$

So that the Schrodinger equation can be written as the following.

$$\frac{d}{dt} \Gamma_s(U_t) = -id\Gamma_s(H)\Gamma_s(U_t) \quad (17)$$

This Hamiltonian follows from the Leibniz property of the derivative. That is: Let $U_t = e^{itH}$, then $\frac{d}{dt}U_t^{\otimes N} = (\frac{d}{dt}U_t) \otimes U_t \otimes \dots \otimes U_t + \dots$. As an exercise, fill in the rest of the proof. The object $d\Gamma_s$ which you apply is called the "differential second quantization operation", and is sometimes written Λ .

Here's an example. Let $H = \mathbb{I}$. Then $d\Gamma_s(\mathbb{I}) = \hat{N}$ (trivially). So the number operator is indeed an observable. You can't observe the absolute phase of the particles, but you can do an interference experiment and determine the relative phase between the particles, which will tell you the number of particles in your system. The idea is that the particles undergo a phase change as time goes on according to the number of particles in the whole system. You could consider the identity operator itself! \mathbb{I} is a perfectly acceptable Hamiltonian, but it is not of the form $d\Gamma_s(H)$ for any H , so it's not physically observable since $U_t = e^{it}$ provides the same phase change to every particle.

Here's another useful identity: $d\Gamma_s([H, K]) = [d\Gamma_s(H), d\Gamma_s(K)]$.

3.5 The Number Basis

We would like to find a nice basis for Fock space, since we need one whenever we do computations on a computer. It's fairly straightforward to build a basis for $H^{\otimes N}$. Such a basis is just given by $|e_{i_1}, \dots, e_{i_N}\rangle$. To find a basis for $\Gamma_{s,N}(\mathcal{H})$ we could take $P_s |e_{i_1}, \dots, e_{i_N}\rangle$. We will relabel $|e_{i_1}, \dots, e_{i_N}\rangle$ to $|\mu_1, \dots, \mu_N\rangle$ for simplicity. We will see that $P_s |\mu_1, \dots, \mu_N\rangle = \pm |\nu_1, \dots, \nu_N\rangle$ whenever ν is a permutation of μ . Thus the possible basis vectors for $\Gamma_{s,N}(\mathcal{H})$ are characterized by the possible sets $\{\mu_i\}$. You could mark each of these sets with something called an occupation number.

Definition 15 (Occupation Number). *The occupation number for a state ν is defined as $n_\nu(\mu_1, \dots, \mu_N) = |\{j : \mu_j = \nu\}|$.*

The occupation number counts how many particles in the multi-particle state are occupying the same quantum state. As an example, if you had photons in some discrete configuration, the number of photons in each state provides the occupation number for that state. We can summarize these numbers in a list $n = (n_1, n_2, \dots)$. Let's do a proper example.

Let $\mathcal{H} = \mathbb{C}^2$ and $N = 3$. There are 8 basis vectors as before.

$$\begin{aligned} |000\rangle, |001\rangle, |010\rangle, |011\rangle, |100\rangle, |101\rangle, |111\rangle &\in \mathcal{H}^{\otimes 3} \\ n_0(000) = 3, n_0(001) = 2, n_0(011) = 1, n_0(111) = 0\dots \\ n_1(000) = 0, n_1(001) = 1, n_1(011) = 2, n_1(111) = 3\dots \end{aligned}$$

We should also look at the symmetrization and antisymmetrization of this space. We compute the following.

$$\begin{aligned} P_+ |000\rangle &= |000\rangle, P_+ |001\rangle = \frac{1}{3}(|001\rangle + |010\rangle + |100\rangle), \\ P_+ |011\rangle &= \frac{1}{3}(|011\rangle + |101\rangle + |110\rangle), P_+ |111\rangle = |111\rangle \end{aligned}$$

On the other hand, $P_- |\psi\rangle = 0$ for all $|\psi\rangle$! This is an effect we call the Pauli exclusion principle - no two fermions can occupy the same quantum state, so all occupation numbers have to be 1 or 0. There can't be any Fermion states in $\mathcal{H}^{\otimes 3}$ because of the pigeonhole principle - two fermions will always have the same state, so one of the occupation numbers for a state will always either be 2 or 3.

3.6 Number Occupation States

In the last lecture we started developing a basis for Fock space. The basic approach we were going to try was to apply P_s to each basis vector of $\mathcal{H}^{\otimes N}$, $|\mu_{i_1}, \dots, \mu_{i_N}\rangle$. The issue is that we don't know whether this is too large of a basis for \mathcal{H}_s^N - this crisis would be averted if we could show that either P_s is zero for particular elements, or if the basis is already exactly the right size.

We're going to prove something about these $|\mu_{i_1}, \dots, \mu_{i_N}\rangle$ vectors. Suppose $|\mu_{i_1}, \dots, \mu_{i_N}\rangle$ has occupation numbers $n_\nu(\mu_1, \dots, \mu_N)$. And suppose we have another ket $|\mu'_{j_1}, \dots, \mu'_{j_N}\rangle$ with some occupation numbers. We would like to show that if these two kets have different occupation numbers then they are orthogonal.

So if $n \neq n'$, then we have: $\langle \mu_{i_1}, \dots, \mu_{i_N} | P_s P_s | \mu'_{j_1}, \dots, \mu'_{j_N} \rangle = 0$. The proof begins by noting that $P_s^2 = P_s$. Then we expand P_s into its definition.

$$\langle \mu_{i_1}, \dots, \mu_{i_N} | \frac{1}{N!} \sum_{\sigma} s(\sigma) U(\sigma) | \mu'_{j_1}, \dots, \mu'_{j_N} \rangle$$

But we see that $\langle \mu_{i_1}, \dots, \mu_{i_N} | U(\sigma) | \mu'_{j_1}, \dots, \mu'_{j_N} \rangle = 0$ whenever μ_i can't be permuted into μ'_j . So therefore the whole inner product is zero as long as all the occupation numbers are different, because if all the occupation numbers are different there is no permutation which takes μ to μ' . In what follows, we obtain a basis for H_s^N from the occupation numbers. Allow \mathbf{n} to be the vector of occupation numbers for a vector, then we define a basis:

Definition 16 (H_s^N Basis). Let $|\mu_{i_1}, \dots, \mu_{i_N}\rangle$ be a basis vector for $H^{\otimes N}$ with occupation numbers \mathbf{n} . These generate a basis $|\mathbf{n}\rangle$ for H_s^N defined by:

$$|\mathbf{n}\rangle = |n_{\nu_1}, \dots, n_{\nu_N}\rangle =: c_s(\mathbf{n}) P_s |\mu_{i_1}, \dots, \mu_{i_N}\rangle \quad (18)$$

Where $c_s(\mathbf{n})$ is some normalization coefficient we will work out in the next step.

It is important to check if this basis is well defined. If we have occupations (1,2) for some state, then $|\mathbf{n}\rangle$ could correspond to either $P_s |110\rangle$ or $P_s |011\rangle$, and so on. It is an exercise to check that in fact these are the same vector (and by extension, check whether this holds up across the board). We will choose a canonical representative for each $|\mathbf{n}\rangle$ to be the one where we choose $|\mathbf{n}\rangle = c_s(\mathbf{n}) P_s |\mu_{i_1}, \dots, \mu_{i_N}\rangle$ to have μ_i 's in ascending order. Now we work out the normalization coefficient:

$$\langle \mathbf{n} | \mathbf{n} \rangle = |c_s(\mathbf{n})|^2 \langle \mu_{i_1}, \dots, \mu_{i_N} | P_s |\mu_{i_1}, \dots, \mu_{i_N}\rangle = 1 \quad (19)$$

$$= |c_s(\mathbf{n})|^2 \langle \mu_{i_1}, \dots, \mu_{i_N} | \frac{1}{N!} \sum_{\sigma} s(\sigma) U(\sigma) | \mu_{i_1}, \dots, \mu_{i_N} \rangle \quad (20)$$

For Bosons, we see that the inner product on the right is 1 whenever the two kets have the same occupation numbers. There are $\prod_{i=1}^N n_i!$ kets with occupation numbers n_i , so the normalization coefficient just becomes:

$$c_+(\mathbf{n}) = \sqrt{\frac{N!}{n_1! \dots n_N!}} =: \sqrt{\binom{N}{\mathbf{n}}} \quad (21)$$

The right expression is called a generalized binomial symbol or a multinomial symbol. For Fermions the case is super duper easy. Any Fermion can only have occupation numbers $n_i \in \{0, 1\}$. This is because if we had a Fermion with occupation number greater than one, we could find a transposition π which exchanges two identical particles so that $\pi |\mathbf{n}\rangle = -|\mathbf{n}\rangle = |\mathbf{n}\rangle$.

We can see that when $\mu_{i_1} \leq \mu_{i_2} \leq \dots \leq \mu_{i_N}$, $\langle \mu_{i_1}, \dots, \mu_{i_N} | U(\sigma) | \mu_{i_1}, \dots, \mu_{i_N} \rangle = 1$ only when $U(\sigma) = 1$. Therefore we have:

$$c_-(\mathbf{n}) = \sqrt{N!} = \sqrt{\binom{N}{\mathbf{n}}} \quad (22)$$

Note that the multinomial system works in both the Boson and Fermion cases! Now we should find the dimensions of these subspaces.

3.7 Dimension of H_s^N

Let $\dim(H) = d$. Let's look at the Fermion case first. We see that for N particles, no two can occupy the same state, so there are only as many states as there are ways to pick N configurations out of d total available configurations without replacement.

$$\dim(H_-^N) = \begin{cases} \binom{d}{N} & d \geq N \\ 0 & d < N \end{cases} \quad (23)$$

For the Boson case, it is not so simple. The combinatorial argument is quite complicated, so we will construct a new object which maps directly to basis vectors so that we may count how many there could possibly be. This construction begins by assigning the symbol $*$ to the string $1, 2, \dots, d$. For a basis vector $|\mu_{i_1}, \dots, \mu_{i_N}\rangle$ we then rearrange μ_i into ascending order and construct the string $\mu_1, \dots, \mu_1, *, \mu_2, \dots, \mu_2, *, \dots, *, \mu_d, \dots, \mu_d$ where each μ appears n_μ times in the sequence. Here are some examples.

Let $d = 2, N = 5, n_1 = 3, n_2 = 2$. Then $|\mathbf{n}\rangle = c|1, 1, 1, 2, 2\rangle$. We then construct the sequence $1, 1, 1, *, 2, 2$.

Or perhaps we have $|1, 2, 2, 3, 3, 1\rangle$, $d = 3, N = 6, n_1 = 2, n_2 = 2, n_3 = 2$. Then we have the sequence $1, 1, *, 2, 2, *, 3, 3$.

Another example is $|1, 2, 2, 3, 5, 5\rangle$, where some states have occupation number zero. Then we have the sequence $1, *, 2, 2, *, 3, *, *, 5, 5$.

The number of ways of generating these sequences is the same as the number of ways to place $d - 1$ stars in $N + d - 1$ places. This gives us the following.

$$\dim(H_+^N) = \binom{N + d - 1}{d - 1} =: (-1)^N \binom{-d}{N} \quad (24)$$

The object on the right is the negative binomial symbol. This gives us a unified form to write our dimensions.

$$\dim(H_s^N) = (-s)^N \binom{(-s)d}{N} \quad (25)$$

Now for the full space:

$$\dim(\Gamma_s(H)) = \dim\left(\bigoplus_{n=0}^{\infty} H_s^n\right) = \sum_{n=0}^{\infty} \dim(H_s^n)$$

For $s = 1$, this sum just blows up, but in the Fermion case, the sum is well defined. $\sum_{n=0}^d \binom{d}{n} = 2^d$ is a well known identity (prove this!)

$$\dim(\Gamma_s(H)) = \begin{cases} \infty & s = 1 \\ 2^d & s = -1 \end{cases} \quad (26)$$

3.8 Creation and Annihilation Operators

Now we move on to discussing operators on Fock space. We will now introduce some operators which specify our possibly infinite-dimensional Fock space completely in a very compact way. We have good reason to believe these operators have direct representations physically in actions we can take in a real experiment. Fock space $\Gamma_s(H)$ can be successively built from the vacuum state by application of the creation operator defined so:

Definition 17 (Creation Operator). *Let $|\phi\rangle$ be a single-particle state in H , and let $|\Psi\rangle \in \Gamma_{s,N-1}(H)$ be a multiparticle state. We define the following operator $a_s^\dagger(|\phi\rangle)$ on $\Gamma_{s,N-1}(H)$ as follows. (The i 'th component is given)*

$$(a_s^\dagger(|\phi\rangle)|\Psi)_i =: \sqrt{N} P_s |\phi\rangle \otimes |\Psi\rangle_{i-1}$$

This collection of operators a_s^\dagger extends by linearity to all of Fock space, with $a_s^\dagger(|\phi\rangle)|\Omega\rangle = |\phi\rangle$. Repeated application of the creation operator to the vacuum state gives us a great alternative way to develop a basis for Fock space - although the previous method we used gave more insight into the dimensions of Fock space. We also see that $a_s^\dagger(|\phi\rangle)a_s^\dagger(|\psi\rangle) = s a_s^\dagger(|\psi\rangle)a_s^\dagger(|\phi\rangle)$, which is known as the canonical commutation relation that you are familiar with.

4 Canonical (Anti)-Commutation Relations

4.1 Annihilation Operator, Notation, and Matrix Elements

As in the end of last time, we are trying to discuss the operators on $\Gamma_s(H)$. The hard part is that these operators are going to be acting on an infinite-dimensional Hilbert space. To make this easier, we introduce a preferred basis - one that we know and understand very very well. We will henceforth consider only linear combinations of the operators. This basis is going to be the creation and annihilation operators.

In Unsymmetrized Fock space (that is, $\bigoplus_{\mathbb{N}} \Gamma(\mathcal{H})$), the creation and annihilation operators are proportional to rather curious objects. We have $a^\dagger(|e_j\rangle) \propto o_j^*$, where o_j^* are the generators of what is called the Cuntz Algebra O_n . This algebra has many remarkable properties, but sadly we will not be able to go into this in detail.

We looked at the creation operator in the last lecture, so the task now is to describe its adjoint. You will notice that we gave the creation operator a dagger in anticipation of taking the adjoint.

Definition 18 (Annihilation Operator). *We define the annihilation operator in terms of its action on a vector.*

$$a_s(|\phi\rangle)P_s(|\psi_1\rangle \otimes \dots \otimes |\psi_N\rangle) = \frac{1}{\sqrt{N}} \sum_{k=1}^N s^{k-1} P_s(|\psi_1\rangle \otimes \dots \otimes |\psi_{k-1}\rangle \otimes \langle\phi|\psi_k\rangle |\psi_{k+1}\rangle \otimes \dots \otimes |\psi_N\rangle) \quad (27)$$

It is an exercise to show that this is indeed the adjoint of the creation operator. Remind yourself that the adjoint is defined as the operator fulfilling $\langle A\psi|\phi\rangle = \langle\psi|A^\dagger\phi\rangle$ and use the fact that to extend the inner product to $\Gamma_s(\mathcal{H})$ you need to sum over all the inner products of the components. This brings us to the algebra that was foreshadowed at the start of the lecture.

Let $M = a_s(|\phi_1\rangle)a_s^\dagger(|\phi_2\rangle)$, and $M' = a_s^\dagger(|\phi_1\rangle)a_s(|\phi_2\rangle)$. These operators preserve the total number of particles, so when acting on some state $P_s(|\psi_1\rangle \otimes \dots \otimes |\psi_N\rangle)$ we find the same result, differing by a sign.

$$M = \langle\phi_1|\phi_2\rangle \mathbb{I} + sM'$$

To summarize, we have the following commutator (s-bracket) relation:

$$[a_s^\dagger(|\phi_1\rangle), a_s(|\phi_2\rangle)]_s = \langle\phi_1|\phi_2\rangle \mathbb{I} \quad (28)$$

Where $[\cdot, \cdot]_+$ is the anticommutator, and $[\cdot, \cdot]_-$ is the commutator.

The algebras generated by these operators a_s, a_s^\dagger are called the CAR (canonical anticommutation relation) algebra and the CCR (canonical commutation relation) algebra. There is a huge difference between the two algebras - the creation and annihilation operators are not bounded operators in the Boson case, so to generate the CCR algebra properly we need to take exponentials of the operators.

Something to keep in mind is that we typically have a specific basis in mind when using the operators, so we could use the following notation.

$$a_\mu =: a_s(|\phi_\mu\rangle) \quad (29)$$

$$a_\mu^\dagger =: a_s^\dagger(|\phi_\mu\rangle) \quad (30)$$

We typically refer to the states ϕ_μ as 'modes', or 'envelopes' due to the fact that much of the time we are describing waves. They are wavefunctions that specify a particle's state in a system, so it's natural to refer to them as modes when they are commonly sines, cosines, or sometimes Hermite polynomials. They almost always form a Fourier basis.

Because the map which takes $|\phi\rangle \mapsto a_s(|\phi\rangle)$ is antilinear, we can express any creation and annihilation operator as a linear combination of the basis creation and annihilation operators:

$$a_s(|\phi\rangle) = \sum_{\mu \in B} \phi_\mu^* a_\mu \quad (31)$$

Where $|\phi\rangle = \sum \phi_\mu |e_\mu\rangle$. This notation gives us the following CCRs and CARs:

$$[a_\mu, a_\nu]_s = [a_\mu^\dagger, a_\nu^\dagger]_s = 0$$

$$[a_\mu, a_\nu^\dagger]_s = \delta_{\mu\nu} \mathbb{I}$$

In the occupation number basis we can work out the matrix elements of these operators. We start with the action on an occupation number state:

$$\begin{aligned} a_\mu^\dagger |n\rangle &= s(\pi) \sqrt{n_\mu + 1} |n_1, \dots, n_\mu + 1, n_{\mu+1}, \dots\rangle \\ a_\mu |n\rangle &= s(\pi) \sqrt{n_\mu} |n_1, \dots, n_\mu - 1, \dots\rangle \end{aligned}$$

Here, π is the permutation which sorts the sequence μ, ν_1, ν_2, \dots into ascending order (with the ν_i 's being the remaining states you can occupy besides the μ 'th one). This is enough information to generate the matrix elements quite easily. This is important because if you work with Fermions you will want to make sure you sort everything because you will pick up signs. Here's an example.

Let $s = -1$, $H = \mathbb{C}^3$, and $\mathcal{H} = H^{\otimes 3}$. Then we want to calculate $a_2^\dagger |101\rangle$. This should give some multiple of $|111\rangle$, but since $|101\rangle$ can be relabeled to give $-|011\rangle$ (which is in ascending order), we must introduce a negative sign. To clarify, this means that the permutation we are using is $\pi : (2, 1, 3) \mapsto (1, 2, 3)$, which is of odd parity. Therefore $a_2^\dagger |101\rangle = -|111\rangle$.

What makes this tricky to work out on a computer is the -1 factors. It's worth it to do these calculations for Fermions, and for Bosons you might already see that these will look very similar to the Harmonic Oscillator ladder operators. There's a faster way to do this, since at a large amount of particles the brute force method will be too slow. This is called the Jordan-Wigner Transform.

4.2 Jordan-Wigner Transform

To compute the matrix elements of the creation/annihilation operators with this method, we will need to use the Pauli matrices (which you have seen in your previous courses). These are:

$$\sigma^x = \begin{bmatrix} 0 & 1 \\ 1 & 0 \end{bmatrix}, \sigma^y = \begin{bmatrix} 0 & -i \\ i & 0 \end{bmatrix}, \sigma^z = \begin{bmatrix} 1 & 0 \\ 0 & -1 \end{bmatrix}, \sigma^0 = \mathbb{I} \quad (32)$$

We also need the projection matrices:

$$\sigma^+ = \begin{bmatrix} 0 & 0 \\ 1 & 0 \end{bmatrix}, \sigma^- = \begin{bmatrix} 0 & 1 \\ 0 & 0 \end{bmatrix} \quad (33)$$

The Jordan-Wigner transformation is given by the following. It's probably easy to see that for the first matrix we have the following:

$$\begin{aligned} a_1^\dagger &= \sigma_1^+ \otimes \mathbb{I}_2 \otimes \dots \otimes \mathbb{I}_n =: \sigma_0^\dagger \otimes \mathbb{I}_{2\dots n} \\ a_1 &= \sigma_1^- \otimes \mathbb{I}_{2\dots n} \end{aligned}$$

To get a_2^\dagger we can't just insert a σ_2^+ into the tensor product, we need it to anticommute with a_1^\dagger . So we note that σ_1^z anticommutes with σ_1^+ . This gives:

$$\begin{aligned} a_2^\dagger &= \sigma_1^z \otimes \sigma_2^+ \otimes \mathbb{I}_{3\dots n} \\ a_2 &= \sigma_1^z \otimes \sigma_2^- \otimes \mathbb{I}_{3\dots n} \end{aligned}$$

In general the transform is given by this:

Definition 19 (Jordan-Wigner Transform). *The Jordan-Wigner Transform generates the CAR algebra in terms of the Pauli matrices as follows:*

$$a_j^\dagger = \sigma_1^z \otimes \sigma_2^z \otimes \dots \otimes \sigma_{j-1}^z \otimes \sigma_j^+ \otimes \mathbb{I}_{j+1\dots n} \quad (34)$$

$$a_j = \sigma_1^z \otimes \sigma_2^z \otimes \dots \otimes \sigma_{j-1}^z \otimes \sigma_j^- \otimes \mathbb{I}_{j+1\dots n} \quad (35)$$

The 2^n by 2^n matrices given by the Jordan-Wigner transform completely generate the CAR. Here's something to ponder: what if we wanted to get away with smaller matrices? You can't if you want to be exact, but what if you only need to be approximately correct (ie $\{a_\mu, a_\nu\} \approx \delta_{\mu\nu} \mathbb{I}$)?

One quick thing to define now is the number operator.

Definition 20 (Number Operator). *We define the number operator as follows:*

$$N_\mu =: a_\mu^\dagger a_\mu \tag{36}$$

This has the effect that $N_\mu |n\rangle = n_\mu |n\rangle$. We will see that $\hat{N} = \sum N_\mu$, where \hat{N} is the total particle number operator. This is easy to see, just apply the sum of an arbitrary ket and factor the ket back out, leaving the sum of each of the n_μ 's.

4.3 The CCR/CAR Algebra

Before continuing with the lecture material, I'll quickly define an algebra. You may recall us mentioning it earlier, but not quite caught what it meant.

Definition 21 (*F*-Algebra). *An F-algebra A is a vector space over F which has been endowed with a product $\cdot : A \times A \rightarrow A$. The product is not necessarily commutative, but does have the following properties.*

1. (*Right Distributive*) $(\mathbf{x} + \mathbf{y}) \cdot \mathbf{z} = \mathbf{x} \cdot \mathbf{z} + \mathbf{y} \cdot \mathbf{z}$
2. (*Left Distributive*) $\mathbf{z} \cdot (\mathbf{x} + \mathbf{y}) = \mathbf{z} \cdot \mathbf{x} + \mathbf{z} \cdot \mathbf{y}$
3. (*Compatibility with Scalars*) $a\mathbf{x} \cdot b\mathbf{y} = (ab)(\mathbf{x} \cdot \mathbf{y})$

Here are some examples of algebras:

1. The matrix algebra $GL_n(F)$, where the product is matrix multiplication. This algebra is called *unital* since there is an identity element.
2. The algebra of continuous functions $C(K)$ over a set K , where the "product" is function composition.

We say an *F*-algebra is *generated* by a set $B \subseteq A$ if A can be completely specified by polynomials of B with coefficients in F .

Definition 22 (Generators of an Algebra). *Some subset $\{b_1, \dots, b_n\} \subseteq A$ is called the set of generators of an F-Algebra A if the following property holds.*

$$A = F[b_1, \dots, b_n] = \left\{ \sum_{i=1}^N a_i b_{j_1} \dots b_{j_M} \mid M, N \in \mathbb{N} \right\} \tag{37}$$

Then the CAR/CCR algebra is the one generated by subsets of $L(\Gamma(\mathcal{H}))$ which obey the CAR/CCRs. That is, their set of generators is the set of creation and annihilation operators.

Let $A_{n,m} = |n\rangle\langle m|$. Then let $M \in \mathcal{B}(\Gamma_s(\mathcal{H}))$. Then we can always write $M = \sum_{n,m} M(n,m)A_{n,m}$. But these coefficients aren't nearly as easy to find as the coefficients in terms of the generators a_μ^\dagger, a_μ . What we will do today is justify this a little bit. One might argue that this has something to do with locality, causality, etc. But some even think that the CAR/CCR generators we have might not be the best way to write our operators (the hot topic is Tensor Networks). It's an open question so far.

4.4 Hamiltonians in terms of Creation & Annihilation Operators

Now we begin the task of expressing dynamics generated by Hamiltonians in terms of these creation and annihilation operators. There are many ways to do this, but here is a pretty slick way of doing things which doesn't take too long.

4.4.1 Simplest Dynamics

First, we're going to express the simplest dynamics we know. This is the dynamics on a single-particle space given by $U_t |\mu\rangle = e^{it} |\mu\rangle$. This time evolution operator is just this:

$$U_t = e^{it} |\mu\rangle\langle\mu| + \sum_{\nu \neq \mu} |\nu\rangle\langle\nu|$$

On the full Fock space, this operator is given by $\Gamma_s(U_t) = \bigoplus_{N=0}^{\infty} \Gamma_{s,N}(U_t)$ with $\Gamma_{s,N} = \bigotimes_{j=1}^N U_t$. This is pretty good, but we want this in terms of annihilation and creation operators, since it's a great building block for more complicated operators. We begin with $\Gamma_s(U_t) = f(a_\mu, a_\mu^\dagger)$. This function f is unknown, but there's a clever way to derive it. First we differentiate this expression.

$$\frac{\partial}{\partial t} \Gamma_s(U_t) = \frac{\partial}{\partial t} f(a_\mu, a_\mu^\dagger) \quad (38)$$

$$i d\Gamma_s(H) \Gamma_s(U_t) = \frac{\partial}{\partial t} f(a_\mu, a_\mu^\dagger) \quad (39)$$

Second, we act this on a Fock space element: $\Gamma_s(U_t) |n\rangle = \Gamma_s(U_t) |n_1, \dots, n_\mu, \dots\rangle$. We can expand this in terms of $|n\rangle = P_s |e_1, \dots, e_\mu, \dots\rangle$ and show that $\Gamma(U_t) |n\rangle = e^{in_\mu t} |n\rangle$. This follows from the linearity of $\Gamma_s(U_t)$, simply factor out the eigenvalues and add them up. We introduced earlier an operator which does something similar! The number operator gives us the number of particles in state μ , so we may be able to write our Hamiltonian in terms of those operators.

$$-i \frac{\partial}{\partial t} \Gamma_s(U_t) |n\rangle = \frac{\partial}{\partial t} e^{in_\mu t} |n\rangle \quad (40)$$

$$= n_\mu e^{in_\mu t} |n\rangle \quad (41)$$

$$= \hat{n}_\mu \Gamma_s(U_t) |n\rangle \quad (42)$$

Combining this with (39) we see that $d\Gamma_s(H) = \hat{n}_\mu$, so that $\Gamma_s(U_t) = \exp(i\hat{n}_\mu t) = e^{ia_\mu^\dagger a_\mu t}$.

4.4.2 Non-Interacting Dynamics

The previous section told us that essentially that $d\Gamma_s(|\mu\rangle\langle\mu|) = \hat{n}_\mu$. In an older notation, we have $d\Gamma_s(|\phi\rangle\langle\phi|) = a^\dagger(|\phi\rangle)a(|\phi\rangle)$ for any ϕ . This is a wealth of information. Using this, one can show that $d\Gamma_s(|\phi\rangle\langle\psi|) = a^\dagger(|\phi\rangle)a(|\psi\rangle)$. (Warning, this is not Hermitian in general!)

This gives a general formula:

$$d\Gamma_s(H) = d\Gamma_s\left(\sum_{\mu,\nu} H_{\mu\nu} |\mu\rangle\langle\nu|\right) \quad (43)$$

$$= \sum_{\mu,\nu} \langle\mu| H |\nu\rangle a_\mu^\dagger a_\nu \quad (44)$$

Therefore our dynamics is completely specified by the following time evolution.

$$\Gamma_s(U_t) = \exp\left(i \sum_{\mu,\nu} \langle\mu| H |\nu\rangle a_\mu^\dagger a_\nu\right) \quad (45)$$

This is the most general formula for non-interacting dynamics. What will occupy the rest of today is interacting dynamics. We need to add a potential which depends on two or more particles. We will focus on the interactions between two particles for now.

4.4.3 Interacting Dynamics

The potential describing the interaction should be an operator which acts on the Hilbert space of two particles! This means that we have $V \in L(\mathcal{H} \otimes \mathcal{H})$ (usually it's bounded). A good example is a contact potential:

$$\mathcal{H} = L^2(\mathbb{R}), V = \iint_{\mathbb{R}^2} v(x-y) |x-y\rangle\langle x-y| dx dy$$

Where $v(x-y) = |x-y|^{-1}$ would denote a Coulomb potential, $e^{-k|x-y|}$ denotes some kind of collision potential, and so on. This is good for two particles, but what happens when you have many particles interacting with each other? You want this to be extensive - when you add a particle you want the energy to increase linearly. You also want this to be compatible with Fock space - it can't desymmetrize states. We will write V_N for the potential for N particles. We want this operator to also commute with permutations - if you exchange particles around the potential doesn't change. We conjecture⁶:

$$V_N = \sum_{j \neq k=1}^N U(\pi)^\dagger (V_{12} \otimes \mathbb{I}_{3, \dots, N}) U(\pi), \pi = (j1)(k2) \quad (46)$$

It's easy to see that adding an extra particle into a system with N particles will just add N terms to V_N , so we see that the potential is extensive. This also obviously commutes with permutations. We declare the following notation.

$$V_\infty =: \bigoplus_N V_N =: d^2\Gamma_s(V)$$

We want to write this in terms of creation and annihilation operators: $d^2\Gamma_s(V) = g(a_\mu^\dagger, a_\mu)$. Any permutation-invariant operator can be written as a linear combination of tensor products of the form $A \otimes A$. As an example, let $\mathcal{H} = \mathbb{C}^2$. Let $V = U(\tau)$ with $\tau = (2, 3)$. This operator looks like:

$$(2, 3) = \begin{bmatrix} 1 & 0 & 0 & 0 \\ 0 & 0 & 1 & 0 \\ 0 & 1 & 0 & 0 \\ 0 & 0 & 0 & 1 \end{bmatrix} = \frac{1}{2} (\mathbb{I} \otimes \mathbb{I} + \sigma^x \otimes \sigma^x + \sigma^y \otimes \sigma^y + \sigma^z \otimes \sigma^z)$$

Consider (46) again. We have:

$$V_N = \sum_{j \neq k} V_{jk} = \sum_{j \neq k} \mathbb{I} \otimes \dots \otimes A_j \otimes \dots \otimes A_k \otimes \dots \otimes \mathbb{I}$$

Then we learn that $d^2\Gamma_s(A \otimes A) = \frac{1}{2}(d\Gamma_s(A)^2 - d\Gamma_s(A^2))$. After substituting in and expanding, we have the following.

$$d^2\Gamma_s(A \otimes A) = \frac{1}{2} \sum_{\mu_1, \mu_2} \sum_{\nu_1, \nu_2} \langle \mu_1 | A | \nu_1 \rangle \langle \mu_2 | A | \nu_2 \rangle (a_{\mu_1}^\dagger a_{\nu_1} a_{\mu_2}^\dagger a_{\nu_2} - \delta_{\mu_2, \nu_1} a_{\mu_1}^\dagger a_{\nu_2}) \quad (47)$$

$$= \frac{s}{2} \sum_{\mu_1, \mu_2, \nu_1, \nu_2} \langle \mu_1, \mu_2 | A \otimes A | \nu_1, \nu_2 \rangle a_{\mu_1}^\dagger a_{\mu_2}^\dagger a_{\nu_1} a_{\nu_2} \quad (48)$$

Extending by linearity, we have the final product.

$$d^2\Gamma_s(V) = \frac{1}{2} \sum_{\mu_1, \mu_2, \nu_1, \nu_2} \langle \mu_1, \mu_2 | V | \nu_1, \nu_2 \rangle a_{\mu_1}^\dagger a_{\mu_2}^\dagger a_{\nu_1} a_{\nu_2} \quad (49)$$

As an example. the "second-quantized" Hamiltonian for an ordinary nonrelativistic material is given by the

⁶The notation $\pi = (ab)$ means that a and b are exchanged under the permutation. This is called Cycle Notation.

following general formula. The first term is the Kinetic energy, the second is the external potential, and the third is the interaction potential.

$$\hat{H} = d\Gamma_s\left(-\frac{\hbar^2}{2m}\nabla^2\right) + d\Gamma_s\left(\int dx v_0(x) |x\rangle\langle x|\right) + d^2\Gamma_s(V) \quad (50)$$

$$V = -e^2 \int dx_1 dx_2 \frac{1}{|x_1 - x_2|} |x_1 - x_2\rangle\langle x_1 - x_2| \quad (51)$$

There are two ways to go about calculating the evolution of a system under this potential. The first way is to use perturbation theory, where you exploit the fact that the elementary charge e is quite small. The second approach is to take asymptotic limits - this is what we will do when we look at scattering.

4.5 Nonrelativistic Quantum Fields

Up until now we've been concerned with writing Hamiltonians in terms of the creation and annihilation operators. Recall that these are operators $a_\mu =: a_s(|\phi_\mu\rangle)$ given by a countable basis for the single-particle states $|\phi_\mu\rangle$. These operators obey the CAR/CCRs (depending on the Hilbert space). Here, the creation of an arbitrary state is given by $a_s^\dagger(|\psi\rangle) = \sum_\mu \bar{\psi}_\mu a_\mu^\dagger$ (where $\psi_\mu = \langle\phi_\mu|\psi\rangle$). Presumably, these states must be delocalized over some physical region - so we might want to look at whether the properties of these operators make complete sense.

An example to keep in mind is a box in three dimensions. Let's say the side length is L and that the box has periodic boundary conditions⁷. It's a bit hard to imagine living in this box, which is why we refer you to the most excellent movie *Interstellar*. This configuration space is basically $L^2(S^1 \times S^1 \times S^1)$.

So when solving the Schrodinger equation for a free particle in this box, we get plane wave solutions (this is quite a simple exercise).

$$\phi_{\vec{k}}(x) = \frac{1}{\sqrt{V}} e^{i\vec{k}\cdot\vec{x}}, k_j = \frac{2\pi n_j}{L}$$

We replace the label μ with this \vec{k} , as these plane waves form an orthonormal basis for our Hilbert space. If we take the probability amplitude of one of these $\phi_{\vec{k}}$ we get the same probability of finding the particle anywhere in the box. How do we describe the process which inserts a particle localized near \vec{x} in this box? Informally, we can create a creation operator which looks something like $\hat{\Psi}(\vec{x}) = "a_s^\dagger(\delta(\vec{x}))"$. This isn't very well defined however - the Dirac delta is not an element of our Hilbert space so we can't assume that this operator exists. Here's an argument for why these states are ill defined:

$$\langle x|x\rangle = \langle x|\mathbb{1}|x\rangle \quad (52)$$

$$1 = \langle x|(-i)[\hat{x}, \hat{p}]|x\rangle \quad (53)$$

$$1 = \langle x|(-i\hat{x}\hat{p}) + (i\hat{p}\hat{x})|(\rangle x) \quad (54)$$

$$1 = -ix \langle \hat{p} \rangle + ix \langle \hat{p} \rangle \quad (55)$$

$$1 = 0 \quad (56)$$

Why is this argument valid? Because position eigenstates are *not* defined! They aren't honest residents of Hilbert space. What we can do instead is deal with gaussian states, or tightly localized but non-delta states. In order to make creating particles in localized states nice, we should define a Quantum Field.

Definition 23 (Quantum Field). *Let $\mathcal{H} = L^2(\mathbb{R}^3)$ or $\mathcal{H} = L^2(S^1 \times S^1 \times S^1)$. A quantum field $\hat{\Psi}(x)$ on \mathcal{H} defined as follows. Let $\phi_\mu(x)$ be an orthonormal basis of wave functions.*

$$\hat{\Psi}(x) = \sum_\mu \phi_\mu(x) a_\mu \quad (57)$$

$$\hat{\Psi}^\dagger(x) = \sum_\mu \bar{\phi}_\mu(x) a_\mu^\dagger \quad (58)$$

⁷This means that when you walk through one face of the box you come out of the opposite face

These $\hat{\Psi}(x)$ operators are not quite the same kind of operators we are used to. Instead they are what are called "distribution-valued" operators. What this means is that $\hat{\Psi}(x)$ does not actually operate on a state in $\Gamma_s(\mathcal{H})$, instead it takes as an argument a smooth rapidly decaying function on \mathcal{H} and returns an unbounded operator on $\Gamma_s(\mathcal{H})$ given by the following formula.

$$\int d^3x f(x) \hat{\Psi}(x) =: \hat{\Psi}(f) = a_s(|f\rangle) \quad (59)$$

So in principle, the "Quantum Field Operator" is given by the integral operator $\int_{\mathcal{H}} \hat{\Psi}$.

We can derive the commutation relations for this operator as follows.

$$[\hat{\Psi}(x), \hat{\Psi}(y)]_s = \sum_{\mu, \nu} \phi_\mu(x) \bar{\phi}_\nu(y) [a_s(|\phi_\mu\rangle), a_s^\dagger(|\phi_\nu\rangle)] \quad (60)$$

$$= \sum_{\mu, \nu} \phi_\mu(x) \bar{\phi}_\nu(y) \mathbb{I} \quad (61)$$

$$= \delta(x - y) \mathbb{I} \quad (62)$$

If you try to define a quantum field according to $a_s(\delta(x))$ then you don't get a nice commutation relation - so already this definition works quite well. It gets really worthwhile to use these quantum fields when you are rewriting $d\Gamma_s(H)$ in terms of them. Here's an example:

Consider the Hamiltonian $\hat{J} = \sum_{\mu, \nu} \langle \phi_\mu | \hat{J} | \phi_\nu \rangle a_\mu^\dagger a_\nu$. This is an operator which shows up quite a lot. It turns out you can rewrite this in terms of $\hat{\Psi}(x)$.

$$\hat{J} = \sum_{\mu, \nu} \langle \phi_\mu | \hat{J} | \phi_\nu \rangle a_\mu^\dagger a_\nu \quad (63)$$

$$= \sum_{\mu, \nu} \int d^3x \bar{\phi}_\mu(x) J(x) \phi_\nu(x) a_\mu^\dagger a_\nu \quad (64)$$

$$= \int d^3x \hat{\Psi}^\dagger(x) J(x) \hat{\Psi}(x) \quad (65)$$

Where $J(x) = \langle x | J | x \rangle$. We'll now do a more specific example.

Definition 24 (Number Density Operator). *Define $J(y) = \delta(y - x)$. If you want, this is the potential of a particle which is super duper localized. If we substitute this in, we get the number density operator.*

$$\hat{n}(x) = \int d^3y \hat{\Psi}^\dagger(y) \delta(y - x) \hat{\Psi}(y) = \hat{\Psi}^\dagger(x) \hat{\Psi}(x) \quad (66)$$

The number density gives you the total particle number operator.

$$\hat{N} = \int d^3x \hat{n}(x)$$

Now, are these quantum fields any good for writing out interaction potentials? The answer is yes! Recall the Hamiltonian for an interaction:

$$H = \sum_{\mu, \nu} \langle \phi_\mu | (T + V_0) | \phi_\nu \rangle + \frac{1}{2} \sum_{\mu_1, \mu_2} \sum_{\nu_1, \nu_2} \langle \mu_1, \mu_2 | V | \nu_1 \nu_2 \rangle a_{\mu_1}^\dagger a_{\mu_2}^\dagger a_{\nu_1} a_{\nu_2}$$

We have already completed half of this - just replace J by $T - V_0$. What is left is calculating the interaction potential. This is a very simple exercise, it's the exact same procedure as the kinetic term so we will just write out the answer.

$$H = \int d^3x \hat{\Psi}^\dagger(x) \left(\frac{-\hbar^2}{2m} \nabla^2 + V_0(x) \right) \hat{\Psi}(x) + \frac{1}{2} \int d^3x d^3y \hat{\Psi}^\dagger(x) \hat{\Psi}^\dagger(y) V(x, y) \hat{\Psi}(x) \hat{\Psi}(y) \quad (67)$$

5 Examples of Multi-Particle Systems

What we're going to do now is work out a few examples. Both examples will be gases. This Fock space formalism is really good for situations where we don't know how many particles there are. This happens often when you have gases, such as dilute atomic gases, or when you have so many particles that there is no hope of knowing how many there are. This is common in solids, plasmas, and so on. There are a bunch of methods for calculating energies, eigenstates, and so on of these systems:

1. Exact Solution
2. Variational Method
3. Perturbation Theory
4. Everything else... (Bethe Ansatz, Semiclassical method, etc)

5.1 Dilute Neutral Atomic Gas

This example is fantastic because it gives us an opportunity to study calculations using both Perturbation Theory and through the variational method. The potential in this case is going to be given by something along the lines of $V(x, y) = g\delta^3(x - y)$, with $g = \frac{4\pi\hbar Na}{m}$. This a is something called the s-wave scattering cross section which we will learn more about later in the course. What we want to know is how to simulate the dynamics in this system. The two options are to perturb the system in g since g is pretty small. This works when the gas is extremely dilute. In the case when the gas is just a bit too dense, then you need to use the variational method. The two models we will see for the dilute atomic gas are the Bose-Hubbard model and the full quantum field model using the variational method. We also derive the time-independent Gross-Pitaevskii equation for a gas with collisions.

5.1.1 Variational Method

Here we choose some subset of your full Fock space. This subset will be called the variational set and is denoted $V \subset \Gamma_s(\mathcal{H})$. Full Fock space is pretty hard to program into a computer, it's got a lot of badly behaved states and it's infinite dimensional. What we do to find the ground states in our system is take the infimum over the expectation values in the variational set.

$$E(V) = \inf_{|\phi\rangle \in V} \langle \phi | H | \phi \rangle \geq E_0 \quad (68)$$

This is always an upper bound to the ground state energy due to the maximum principle, so as we expand our variational set our approximation becomes better and better. The way you choose V doesn't have to be particularly clever, you just have to be a little informed about the ground state.

The variational set we are going to work with first is called the set of Coherent states. Recall the definition of a mode (where \hat{a}, \hat{a}^\dagger are single-particle creation/annihilation operators). The coherent states in a single particle system are given by the states $|\alpha\rangle$ so that $\hat{a}|\alpha\rangle = \alpha|\alpha\rangle$.

Definition 25 (Coherent State). *A Coherent state $|\alpha\rangle$ is given by the following rule.*

$$a_+ |\alpha\rangle = \alpha |\alpha\rangle = e^{-\frac{|\alpha|^2}{2}} \sum_{n=0}^{\infty} \frac{\alpha^n}{\sqrt{n!}} |n\rangle \quad (69)$$

An equivalent definition is using an object called the Weyl operator (or displacement operator).

Definition 26 (Weyl Operator). *We define the Weyl operator D as follows.*

$$D(a, \alpha) = e^{\alpha a^\dagger - \bar{\alpha} a} \quad (70)$$

This operator is unitary, and is a generator for coherent states:

$$D(a, \alpha) |0\rangle = |\alpha\rangle$$

The coherent states are an overcomplete basis, so they are not necessarily orthogonal. One could prove the following formula.

$$\mathbb{I} = \frac{1}{\pi} \int d^2\alpha |\alpha\rangle\langle\alpha|$$

But what we want to really deal with are multimode states - systems with multiple particles. In this case, the coherent states are given by the following.

Definition 27 (Multimode Coherent State). *Let $[a_\mu, a_\nu^\dagger] = \delta_{\mu\nu} \mathbb{I}$. Let $\alpha = (\alpha_1, \dots)$. We define the Coherent states as follows.*

$$a_\mu |\alpha\rangle = \alpha_\mu |\alpha\rangle = \alpha_\mu \exp\left(\sum_\mu (\alpha_\mu a_\mu^\dagger - \bar{\alpha}_\mu a_\mu)\right) |\Omega\rangle \quad (71)$$

It's easy to see that $\exp\left(\sum_\mu (\alpha_\mu a_\mu^\dagger - \bar{\alpha}_\mu a_\mu)\right) = \prod_\mu D(a_\mu, \alpha_\mu)$.

We can calculate the moments and expectation values for coherent states with Wick's Theorem, which we will see a bit later. So coherent states are ground states of models of the following form.

$$H = \sum_{\mu,\nu} a_\mu^\dagger k_{\mu\nu} a_\nu + \sum_\mu (\bar{k}_\mu a_\mu + k_\mu a_\mu^\dagger) + \text{Const} \quad (72)$$

This is true for fermions and bosons, but we won't actually deal with fermions in this course. Lots of models have this form, so this is quite a nice set of states. Let's try this on a different model before returning to the dilute atomic gas.

5.1.2 Bose-Hubbard Model

Consider the following non-trivial Hamiltonian.

$$H_{\text{BHM}} = -t \sum_{j=0}^{N-1} (a_{j+1}^\dagger a_j + a_j^\dagger a_{j+1}) + J \sum_{j=0}^{N-1} a_j^\dagger a_j (a_j^\dagger a_j - \mathbb{I}) + \mu \sum_{j=0}^{N-1} a_j^\dagger a_j \quad (73)$$

What is this Hamiltonian? Suppose you have a ring with a periodic potential, and bosons living on the ring. The following figure demonstrates this.

In this system we set the number of minima ('valleys') in the potential to be N . We then make lots of approximations to the general form of the Hamiltonian:

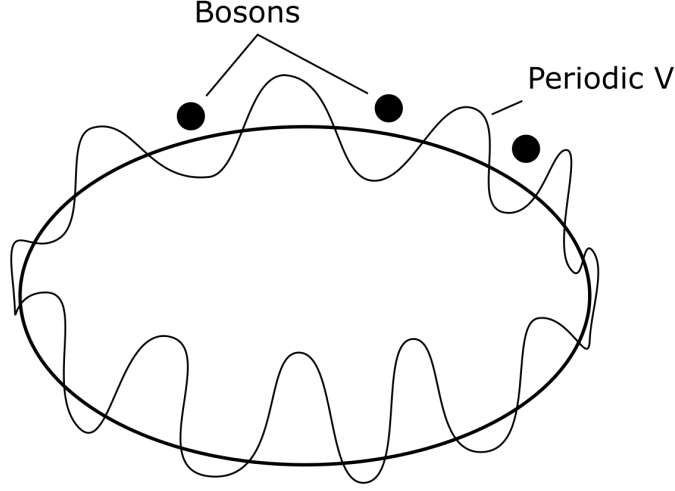
$$H = \int d^3x \Psi^\dagger(x) (T - V_0) \Psi(x) + \iint d^3x d^3y \Psi^\dagger(x) \Psi^\dagger(y) V \Psi(x) \Psi(y)$$

The first term is the kinetic energy of the particle - particles may tunnel between minima. The second term in the Hamiltonian, $J \sum_{j=0}^{N-1} a_j^\dagger a_j (a_j^\dagger a_j - \mathbb{I})$, is the repulsion term - it represents Bosons being pushed away from the potential. The third term, $\mu \sum_{j=0}^{N-1} a_j^\dagger a_j$, is the chemical potential term which tells you that particles will want to enter the system from the outside. If you want eternal fame and glory you could try and exactly solve this model, but you might not learn a lot! It turns out that the variational method and perturbation theory have taught us an extraordinary amount about this model. So let's try this with the variational method. I can say safely that there are thousands of papers on the solutions of this model.

Okay, so let's start with the variational class. $V = \{|\alpha\rangle : \alpha = (\alpha_1, \dots, \alpha_N); \alpha_j \in \mathbb{C}; j \leq N\}$. Then we set:

$$E^* = \inf_{|\alpha\rangle \in V} \langle\alpha| H_{\text{BHM}} |\alpha\rangle$$

We can exploit the fact that under $j \mapsto j+1$ we have $H \mapsto H$ due to the rotational symmetry here. It's reasonable to expect that the useful kets in V will respect that symmetry. So we will use $V_{TI} \subset V$ where



we have $V_{TI} = \{|\alpha\rangle : \alpha = (\alpha_0, \alpha_0, \dots, \alpha_0); \alpha_0 \in \mathbb{C}\}$. These are the kets which are rotationally invariant in this system. You have to be very careful about adding these symmetries to the Variational method - sometimes there is symmetry breaking! But we claim that this variational class is a good start to looking at this model. Okay, let's compute the expectation value now. We will break it into steps.

$$\langle \alpha | -t \sum_{j=0}^{N-1} a_{j+1}^\dagger a_j | \alpha \rangle = -t \sum_{j=0}^{N-1} |\alpha|^2 \quad (74)$$

$$= -2Nt|\alpha|^2 \quad (75)$$

$$\langle \alpha | a_j^\dagger a_j a_j^\dagger a_j | \alpha \rangle = |\alpha|^2 \langle \alpha | a_j a_j^\dagger | \alpha \rangle \quad (76)$$

$$= |\alpha|^2 \langle \alpha | \mathbb{I} + a_j^\dagger a_j | \alpha \rangle \quad (77)$$

$$= |\alpha|^2 (1 + |\alpha|^2) \quad (78)$$

All together now, we get the following value (the chemical potential term is the same difficulty to calculate as the first term).

$$\langle \alpha | H | \alpha \rangle = -2Nt|\alpha|^2 + NJ(|\alpha|^2(1 + |\alpha|^2)) - JN|\alpha|^2 + \mu N|\alpha|^2 \quad (79)$$

Now we take the infimum over all α . This is easier if we choose polar coordinates, $\alpha = r e^{i\theta}$.

$$E^* = \inf \langle \alpha | H | \alpha \rangle \quad (80)$$

$$= \inf_{r \in \mathbb{R}^+} (-2Ntr^2 + NJ(r^2 + r^4) - JNr^2 + \mu Nr^2) \quad (81)$$

$$= \inf_{x \in \mathbb{R}^+} (-2Ntx + NJ(x + x^2) - JNx + \mu Nx) \quad (82)$$

$$= \inf_{x \in \mathbb{R}^+} ((-2Nt + \mu N)x + NJx^2) \quad (83)$$

$$= N \inf_{x \in \mathbb{R}^+} x(Jx - 2t + \mu) \quad (84)$$

$$\frac{\partial}{\partial x} (x(Jx + 2t - \mu)) = -(-Jx + 2t - \mu) + Jx \quad (85)$$

$$= 0 \quad (86)$$

$$\implies x = \frac{2t - \mu}{2J} \quad (87)$$

This is very easy! It's just the minimization of a quadratic. This isn't going to be as easy as a quadratic - but in general you can just use an optimization program to reduce this problem. What this tells us is that as long as $\mu > 2t$ (that is: the chemical potential is large enough to place bosons into the system) we have a solution for the approximate ground state, which we can find the remaining states from through applying orthogonality. It is:

$$\alpha = \left(\frac{2t - \mu}{2J} \right)^{1/2} e^{i\theta}$$

5.1.3 Coherent States for Quantum Fields

Definition 28 (Displacement Operator). *We define the Displacement Operator as follows. Let $\phi : \mathbb{R}^3 \rightarrow \mathbb{C}$ (this is essentially the Fourier series version of $|\alpha\rangle$ with α_i as coefficients).*

$$D(\hat{\Psi}, \phi) = \exp \left(\int d^3x \phi(x) \hat{\Psi}^\dagger(x) - \bar{\phi}(x) \hat{\Psi}(x) \right) \quad (88)$$

Definition 29 (Field Coherent State). *A field coherent state is then*

$$|\phi\rangle = D(\hat{\Psi}, \phi) |\Omega\rangle \quad (89)$$

What we hope is that somehow these are eigenstates of the quantum field operators:

$$\hat{\Psi}(x) |\phi\rangle = \phi(x) |\phi\rangle \quad (90)$$

To see this, begin with the commutator $[\hat{\Psi}(x), D(\hat{\Psi}, \phi)]$. Then apply the fact that $\hat{\Psi}(x) |\Omega\rangle = 0$. We look at $\hat{\Psi}(s, x) = D^{\dagger s} \hat{\Psi}(x) D^s$ (where $s \in [0, 1]$). We then set up a differential equation:

$$\begin{aligned} \frac{\partial}{\partial s} \hat{\Psi}(s, x) &= \frac{\partial}{\partial s} \left(\exp \left\{ -s \int d^3x (\phi \hat{\Psi}^\dagger - \bar{\phi} \hat{\Psi}) \right\} \hat{\Psi}(x) \exp \left\{ s \int d^3x (\phi \hat{\Psi}^\dagger - \bar{\phi} \hat{\Psi}) \right\} \right) \\ &= - \int d^3x (\phi \hat{\Psi}^\dagger - \bar{\phi} \hat{\Psi}) \left(\exp \left\{ -s \int d^3x (\phi \hat{\Psi}^\dagger - \bar{\phi} \hat{\Psi}) \right\} \hat{\Psi}(x) \exp \left\{ s \int d^3x (\phi \hat{\Psi}^\dagger - \bar{\phi} \hat{\Psi}) \right\} \right) \\ &\quad + \left(\exp \left\{ -s \int d^3x (\phi \hat{\Psi}^\dagger - \bar{\phi} \hat{\Psi}) \right\} \hat{\Psi}(x) \int d^3x (\phi \hat{\Psi}^\dagger - \bar{\phi} \hat{\Psi}) \exp \left\{ s \int d^3x (\phi \hat{\Psi}^\dagger - \bar{\phi} \hat{\Psi}) \right\} \right) \\ &= - \int d^3x (\phi \hat{\Psi}^\dagger - \bar{\phi} \hat{\Psi}) D^{\dagger s} \hat{\Psi}(x) D^s + D^{\dagger s} \hat{\Psi}(x) \int d^3x (\phi \hat{\Psi}^\dagger - \bar{\phi} \hat{\Psi}) D^s \end{aligned}$$

Note that $[\exp(A), A] = 0$ from the following identity:

$$[A, \exp\{B\}] = \int_0^1 ds \exp\{(1-s)B\} [A, B] \exp\{sB\}$$

Then we have the following.

$$\begin{aligned} \frac{\partial}{\partial s} \hat{\Psi}(s, x) &= - \int d^3x (\phi \hat{\Psi}^\dagger - \bar{\phi} \hat{\Psi}) D^{\dagger s} \hat{\Psi}(x) D^s + D^{\dagger s} \hat{\Psi}(x) \int d^3x (\phi \hat{\Psi}^\dagger - \bar{\phi} \hat{\Psi}) D^s \\ &= D^{\dagger s} [\hat{\Psi}(x), \int d^3y \phi(y) \hat{\Psi}^\dagger(y) - \bar{\phi}(y) \hat{\Psi}(y)] D^s \\ [\hat{\Psi}(x), \int d^3y \phi(y) \hat{\Psi}^\dagger(y) - \bar{\phi}(y) \hat{\Psi}(y)] &= \int d^3y \hat{\Psi}(x) \phi(y) \hat{\Psi}^\dagger(y) - \hat{\Psi}(x) \bar{\phi}(y) \hat{\Psi}(y) \\ &= \int d^3y \phi(y) ([\hat{\Psi}(x), \hat{\Psi}^\dagger(y)] - [\hat{\Psi}(x), \hat{\Psi}(y)]) \\ &= \int d^3y \phi(y) (0 - \delta(x-y)) \\ &= -\phi(x) \end{aligned}$$

Putting this together tells us:

$$\Psi(1, x) = D^\dagger \hat{\Psi}(x) D = -\phi(x) \hat{\Psi}(x) \quad (91)$$

$$[\hat{\Psi}, D(\hat{\Psi}, \phi)] = (\phi - 1) D(\hat{\Psi}, \phi) \hat{\Psi}$$

$$\implies [\hat{\Psi}, D(\hat{\Psi}, \phi)] |\Omega\rangle = (\phi - 1) D(\hat{\Psi}, \phi) \hat{\Psi} |\Omega\rangle$$

$$\implies \hat{\Psi}(x) D(\hat{\Psi}(x), \phi(x)) |\Omega\rangle - D(\hat{\Psi}(x), \phi(x)) \hat{\Psi}(x) |\Omega\rangle = (\phi(x) - 1) |\phi\rangle \quad (92)$$

$$\hat{\Psi}(x) |\phi\rangle - |\phi\rangle = (\phi(x) - 1) |\phi\rangle \quad (93)$$

$$\hat{\Psi}(x) |\phi\rangle = \phi(x) |\phi\rangle \quad (94)$$

Now we begin the variational calculation using these states. Let our variational class to be all field coherent states which are twice differentiable.

$$E^* = \inf_{|\phi\rangle \in V} \langle \phi | d^3x \hat{\Psi}^\dagger(x) (T(x) - V_0(x)) \hat{\Psi}(x) + \frac{1}{2} \iint d^3x d^3y \hat{\Psi}^\dagger(x) \hat{\Psi}^\dagger(y) V(x, y) \hat{\Psi}(x) \hat{\Psi}(y) | \phi \rangle \quad (95)$$

$$= \inf_{\phi} \int d^3x \bar{\phi}(x) (T(x) - V_0(x)) \phi(x) + \frac{1}{2} \iint d^3x d^3y \bar{\phi}(x) \bar{\phi}(y) V(x, y) \phi(x) \phi(y) \quad (96)$$

This is a functional of some ϕ ! This means that this is now just a problem in the calculus of variations. We needed ϕ to be twice differentiable because $T = \frac{-\hbar^2}{2m} \nabla^2$. So now we let our Action be the following.

$$S[\phi, \partial_x \phi, \partial_x^2 \phi] = \int d^3x \bar{\phi}(x) (T(x) - V_0(x)) \phi(x) + \frac{1}{2} \iint d^3x d^3y \bar{\phi}(x) \bar{\phi}(y) V(x, y) \phi(x) \phi(y)$$

Which gives us the Euler-Lagrange equations:

$$\frac{\partial S}{\partial \phi} - \frac{\partial}{\partial x} \frac{\partial S}{\partial \partial_x \phi} = 0 \quad (97)$$

As a simple example, we can take $V(x, y) = \kappa \delta^{(3)}(x - y)$. This gives a very special form for the equations of motion: the Time-Independent Gross-Pitaevskii Equation.

$$L[\phi] = 0 \implies \left(\frac{-\hbar^2}{2m} \nabla^2 + V_0(x) \right) \phi(x) + \kappa |\phi(x)|^2 \phi(x) = 0 \quad (98)$$

Next we will consider another system, the degenerate electron gas. This is appropriate for a plasma or a metal.

5.2 Degenerate Electron Gas

We will begin with electrons in a box with periodic boundary conditions. Eventually we will take the side length of the box to infinity, but we must be careful to not get divergences.

In the single particle basis we have the following wave functions:

$$\phi_{k, \alpha}(x) = \frac{1}{V} \exp(i\mathbf{k} \cdot \mathbf{x}) \eta_\alpha$$

$$\eta_+ = (1, 0), \eta_- = (0, 1)$$

We know that for these plane waves the k_i components must be proportional to integers: $k_i = \frac{2\pi}{L} n$. We have chosen the label η for the internal degree of freedom for the particle (here being spin). Now we will find the second quantized Hamiltonian for this system. This is a very elegant example - we will simply add the coulomb potential as a perturbation and immediately get numbers comparable with experiment. Our Hamiltonian will look something like the following.

$$H = H_{electrons} + H_{background} + H_{interaction} \quad (99)$$

To do this calculation correctly, we need to pick a background. The background is chosen to make the system electrically neutral. We are going to be thinking about a lot of electrons, in fact, we will think about the number of electrons in the system going to infinity. To model real world materials we must always take into account that the electrons are moving in a background potential such as a lattice of atoms. This background makes the system stable - imagine a 1-Farad capacitor, charged completely. If you short this capacitor you will see a blinding flash! A huge kablam. This is not desirable, because this is quite an unstable effect. Let's choose the background to be a classical field for a decent approximation, so that we can focus on H_{el} . This is going to be a kinetic energy term plus a potential energy term as usual. We start with the kinetic energy:

$$T = \sum_{\alpha, \beta} \int d^3x \hat{\Psi}_{\alpha}^{\dagger}(x) \left(\frac{-\hbar^2 \nabla^2}{2m} \right) \hat{\Psi}_{\beta}(x)$$

Here α and β label spin.

$$V = \sum_{\alpha_1, \dots, \alpha_4} \int d^3x d^3y \hat{\Psi}_{\alpha_1}^{\dagger}(x) \hat{\Psi}_{\alpha_2}^{\dagger}(y) \hat{\Psi}_{\alpha_3}(y) \hat{\Psi}_{\alpha_4}(x) V_{\alpha}(x, y)$$

This V is given by some kind of coulomb interaction. We won't deal with relativistic effects, so we assume the interaction happens instantaneously. Classically, this is the potential (we will later take $\mu \rightarrow 0$):

$$V_c(x, y) = \frac{\exp(-\mu|x-y|)}{|x-y|} \delta_{\alpha_1 \alpha_4} \delta_{\alpha_2 \alpha_3}$$

The right approach is to first take the system to be finite, then take the size of the box to be large, then set the constant μ to zero. We will take the background to be pretty much constant - the atoms are so heavy relative to the electrons that they don't move around very much, so by an Adiabatic approximation we will just assume that they don't change. There are occasionally situations where the response of the atoms are crucial - such as in superconductivity. The reason superconductivity occurs is that electrons can interact with the low energy phonons in a substance - hence the motion of atoms is significant. This background interaction Hamiltonian is given by the following.

$$H_{interaction} = -e^2 \int d^3x d^3y n_b(x) \frac{\exp(-\mu|x-y|)}{|x-y|} n_e(y) \quad (100)$$

As an exercise, prove that this Hamiltonian reduces to a constant:

$$H_{interaction} = e^2 \frac{N^2}{V} \frac{4\pi}{\mu^2}$$

Where N is the number of electrons. Note that we assume this is definite for this case. Similarly, the background itself is given by the following:

$$H_b = \frac{1}{2} e^2 \int d^3x d^3y n_b(x) n_b(y) \frac{\exp(-\mu|x-y|)}{|x-y|} \quad (101)$$

Note that we choose $n_b(x)$ to be translation invariant so it is just a number. You should also prove that the second integral reduces to the following.

$$\frac{1}{2} e^2 \frac{N^2}{V} \frac{4\pi}{\mu^2}$$

Let's work out the matrix elements of the last term now, as they will allow us to work out the full second quantized Hamiltonian. The kinetic energy matrix elements are pretty simple:

$$\langle \phi | T | \phi' \rangle = \langle \phi | -\frac{\hbar^2 \nabla^2}{2m} | \phi' \rangle = \frac{1}{2mV} \int d^3x e^{-ikx} \eta_{\alpha}^* T \eta_{\beta} e^{ilx} = |\ell|^2 \frac{-1}{2mV} \hbar^2 \int \exp(i(\ell x - kx)) \delta_{\alpha\beta} = \frac{\hbar^2}{2m} |k|^2 \delta_{\alpha\beta} \delta_{k\ell}$$

$$T = \sum_{k, \alpha} \frac{\hbar^2 |k|^2}{2m} a_{k, \alpha}^{\dagger} a_{k, \alpha} \quad (102)$$

Some notation we will see often is $|\vec{k}|^2 = k^2$. We will next compute the potential energy elements:

$$\langle \phi_{k_1, \alpha_1} | \langle \phi_{k_2, \alpha_2} | V | \phi_{k_3, \alpha_3} \rangle | \phi_{k_4, \alpha_4} \rangle = \frac{e^2}{V^2} \int d^3x d^3y e^{-i(k_1 - k_2)x} (\eta_{\alpha_2}^\dagger \otimes \eta_{\alpha_3}^\dagger) \frac{e^{-\mu|x-y|}}{|x-y|} (\eta_{\alpha_3} \otimes \eta_{\alpha_4}) e^{-i(k_3 - k_4)y}$$

To compute this integral, first we make a change of variables $z = x - y$:

$$\langle \phi_{k_1, \alpha} | \langle \phi_{k_2, \beta} | V | \phi_{k_3, \gamma} \rangle | \phi_{k_4, \delta} \rangle = \frac{e^2}{V^2} \delta_{\alpha_1 \alpha_3} \delta_{\alpha_2 \alpha_4} \int d^3y d^3z e^{-i(k_1 + k_2 - k_3 - k_4)y} e^{i(k_3 - k_1)z} \frac{e^{-\mu|z|}}{|z|} \quad (103)$$

Exercise 5.1. Show that equation (103) reduces to the following:

$$\frac{e^2}{2V} \delta_{\alpha_1 \alpha_3} \delta_{\alpha_2 \alpha_4} \delta_{k_1 + k_2, k_3 + k_4} \frac{4\pi}{(k_1 - k_3)^2 + \mu^2}$$

(Hint, this integral follows from the Fourier transform of $\exp(-\mu|z|)/|z|$)

It follows from the previous exercise that...

$$H = \frac{-1}{2} \frac{e^2 N^2}{V} \frac{4\pi}{\mu^2} + \sum_{k, \alpha} \frac{\hbar^2 k^2}{2\mu} a_{k, \alpha}^\dagger a_{k, \alpha} \quad (104)$$

$$(*) + \frac{e^2}{2V} \sum_{\alpha_1, \alpha_2} \sum_{\alpha_3, \alpha_4} \sum_k \delta_{\alpha_1, \alpha_3} \delta_{\alpha_2, \alpha_4} \delta_{k_1 + k_3, k_2 + k_4} \frac{4\pi}{(k_1 - k_3)^2 + \mu^2} a_{k_1, \alpha_1}^\dagger a_{k_2, \alpha_2}^\dagger a_{k_3, \alpha_3} a_{k_4, \alpha_4} \quad (105)$$

We can exploit these Kronecker deltas by introducing some new variables.

$$\begin{aligned} k_1 &= k + q \\ k_2 &= p - q \\ k_3 &= k \\ k_4 &= p \end{aligned}$$

Now our nasty Hamiltonian gets reduced to the following.

$$(*) = \frac{e^2}{2V} \sum_{k, p, q} \sum_{\alpha_1, \alpha_2} \frac{4\pi}{q^2 + \mu^2} a_{k+q, \alpha_1}^\dagger a_{p-q, \alpha_2}^\dagger a_{p, \alpha_2} a_{k, \alpha_1}$$

If you only have this term here, you will end up with a divergence for your potential energy in the limit where you add tons of charged particles - this is why we have the background term. You will only really have 10^{23} particles, but we allow our system to go to infinity so that we can do calculations with calculus, so we can see how our system behaves as we add more things to the system, and so on. That's the real reason why we take thermodynamic limits - so that we can see how the system responds to a change in size.

Exercise 5.2. Show that the above equation (*) can be rewritten as the following, and hence show that the first term in H is cancelled.

$$(*) = \frac{e^2}{2V} \sum_{k, p, q, q \neq 0} \frac{4\pi}{q^2 + \mu^2} a_{k+q, \alpha_1}^\dagger a_{p-q, \alpha_2}^\dagger a_{p, \alpha_2} a_{k, \alpha_1} + \frac{e^2}{2V} \frac{4\pi}{\mu^2} (\hat{N}^2 - \hat{N})$$

In the limit $L \rightarrow \infty$, then $\mu \rightarrow 0$, with fixed N the N term cancels in the above equation. We finally obtain the Hamiltonian:

$$H = \sum_{k, \alpha} \frac{\hbar^2 k^2}{2m} a_{k, \alpha}^\dagger a_{k, \alpha} + \frac{e^2}{2V} \sum_{k, p, q, q \neq 0} \sum_{\alpha_1, \alpha_2} \frac{4\pi}{q^2} a_{k+q, \alpha_1}^\dagger a_{p-q, \alpha_2}^\dagger a_{p, \alpha_2} a_{k, \alpha_1} \quad (106)$$

In order to show that the second term is a perturbation of the first, we want to define some dimensionless quantities. If you write the single particle Schrodinger equation with a Coulomb potential, you might think

that the smallness of e makes the potential a perturbation - but this is not true if we change our units! So we need to break this unit-scaling invariance by making our system dilute, we will see this with the following quantities.

$$r_0 = \left[\frac{3V}{4\pi N} \right]^{\frac{1}{3}} \quad (107)$$

$$a_0 = \frac{\hbar^2}{\mu e^2} \quad (108)$$

$$r_s = \frac{r_0}{a_0} \quad (109)$$

$$V \mapsto r_0^{-3}V, k \mapsto r_0k, p \mapsto r_0p, q \mapsto r_0q$$

These are certainly measurable quantities for a material. If you write everything in terms of these new variables, we find:

$$H = (i) \frac{e^2}{a_0 r_s^2} \left(\sum_{k,\alpha} \frac{1}{2} k^2 a_{k,\alpha}^\dagger a_{k,\alpha} + (ii) \frac{r_s}{2V} \sum_{k,p,q,q \neq 0} \frac{4\pi}{q^2} a_1^\dagger a_2^\dagger a_2 a_1 \right)$$

Here we see where the perturbation comes from. The potential energy is now a perturbation as long as $r_s \rightarrow 0$, which happens as the density increases (rather than when it decreases!) Now we want to work out the ground state of this Hamiltonian. It's quite simple, since it's just the regular old perturbation theory.

$$E = E^{(0)} + E^{(1)} + \dots$$

At first order there are no divergences, but there's actually a logarithmic divergence in second order - so perturbation is a little bit questionable for this problem. Regardless, let's see what we get for the first order shifts. The ground state of H_0 is given by something called the Fermi sea - this is from the Pauli exclusion principle, we get the energy when we fill up all available momentum states up to some cutoff $p_F = \hbar k_F$. Let's name this state $|F\rangle$ for "Fermi". We will exploit the fact that $L \rightarrow \infty$ so that we can replace all the combinatorics with integrals. $\sum_k f(k) \mapsto \frac{V}{(2\pi)^3} \int d^3k f(k)$. This is a good approximation. Now:

$$N = \langle F | \hat{N} | F \rangle = \frac{V}{8\pi^3} \sum_{\alpha} \int d^3k \theta(k_F - k) = \frac{V k_F^3}{3\pi^2}$$

$$\implies k_F = \left[\frac{3\pi^2 N}{V} \right]^{\frac{1}{3}} \approx 1.92 r_0^{-1}$$

Now we get the expected kinetic energy:

$$E^{(0)} = \langle F | T | F \rangle = \frac{2.21 e^2 N}{2a_0 r_s^2} \quad (110)$$

Exercise 5.3. Show equation (110)

The next exercise is a very important one. Please sit down and do it in full, since it's one of the most interesting exercises in the course. Nothing captures the physics of many bodies as well as this calculation. Once you do this, you can do any of the Feynman diagram exercises in Solid State physics, in QFT, etc.

Exercise 5.4. Fill in the gaps in the following calculation.

$$E^{(1)} = \langle F | (ii) | F \rangle = \frac{-e^2}{2a_0} \frac{0.916N}{r_s}$$

Finally, we get the ground state energy of the degenerate electron gas:

$$E = \frac{e^2 N}{2a_0} \left(\frac{2.21}{r_s^2} - \frac{0.916}{r_s} + \dots \right)$$

The way you really look at this quantity in experiments is by looking at the pressure $\frac{\partial E}{\partial V}$. The numbers from this calculation match up remarkably well!

6 Scattering Theory

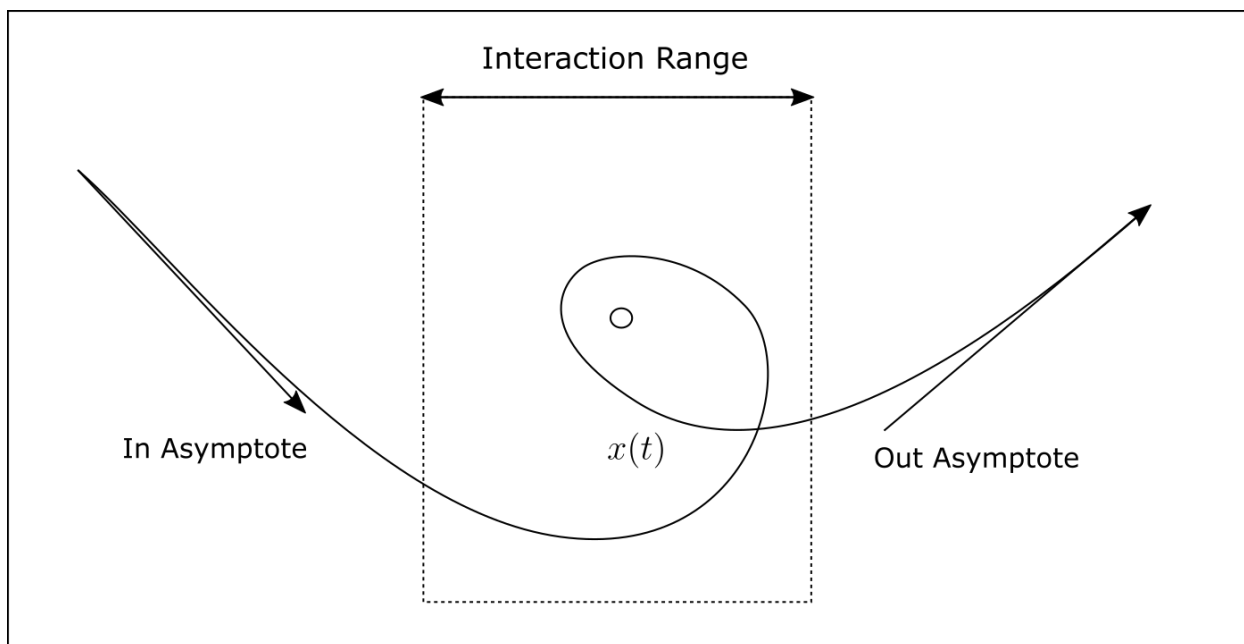
6.1 In/Out States

6.1.1 Motivation

Up until now we've studied the dynamics of many particles, but now we will move to a different limit of these dynamics - rather than dealing with lots of particles and weak interactions we will now deal with only a few particles but with strong interactions. The way we work with this is through a short range potential. What we can say about this process is that far away at the beginning of time the particles are not interacting, and far away at the end of time the particles are not interacting. However, we know that stuff happens in the middle - this can be nearly ignored by inferring the interactions from the difference between the incoming and outgoing states.

6.1.2 Classical In/Out States

There's a picture that will help us a lot when describing these incoming and outgoing states. Moving to relative coordinates (see the introductory sections) will help a lot, since we can reduce the problem of two particles to one particle in a central potential. One of the things that characterizes this system is that the



system in the far past looks like a free trajectory, as does the system in the far future. We write these as "in" and "out" asymptotes. Since this is a particle in a classical potential it will obey Newton's equations:

$$\ddot{\vec{x}} = -\nabla V(\vec{x}) \quad (111)$$

As $t \rightarrow \infty$, $x(t) \rightarrow x_o(t)$, and as $t \rightarrow -\infty$, $x(t) \rightarrow x_i(t)$. Like any good physics problem, we decide to throw away all the degrees of freedom we do not care about - here we disregard temporal degrees of freedom by not caring about what happens in the interaction range. This is okay, because the system is well characterized by the asymptotes. Just think about a particle collider - the particles collide very very briefly, and since they're going so fast they're essentially along that asymptote within microseconds!

$$x(t) \xrightarrow[t \rightarrow -\infty]{} x_i(t) = a_i + v_i t$$

$$x(t) \xrightarrow[t \rightarrow \infty]{} x_o(t) = a_o + v_o t$$

What fully describes the scattering experiment is $a_o(a_i, v_i)$ and $v_o(a_i, v_i)$ as functions of the in state. This dependence is captured by something called the S-matrix, which we will meet when we talk about this in the quantum setting.

Of course it's not always the case that a particle goes in and comes out again. We will come up with a definition of something called a scattering orbit - where in and out asymptotes always exist. This excludes bound states such as closed orbits in a Newtonian setting, or when a particle falls in a black hole, or when they form a chemical bond, or if they collide just right, and so on. One might hope that bound states and scattering orbits together form all of the possible states - however, sometimes (such as with the Coulomb potential) the potential is so long range that there are no scattering orbits! Sometimes, there are even more types of states than bound/scattering states. We will only really consider situations where we can deal with the scattering orbits on their own. One interesting scattering problem is that of the magnetic monopole's interactions, we don't know (as of writing this) that magnetic monopoles exist, so it's a natural human instinct to throw things at something new.

6.1.3 Existence Theorem for Quantum Scattering Orbits

How do we describe a particle scattering from a potential V ? This is just the single-particle Schrodinger equation again! Here is our Hamiltonian and Hilbert space:

$$H = \frac{p^2}{2m} + V(x)$$

$$\mathcal{H} = L^2(\mathbb{R}^3)$$

We let the propagator $U(t) = \exp(-itH)$ be the solution to the time dependent Schrodinger equation (in the Heisenberg picture). We then let $U_0(t) = \exp(-itH_0)$ be the solution for a free trajectory where $V = 0$. If we suppose $U(t)|\psi\rangle$ describes the evolution of a system in a scattering experiment, what does that mean in terms of the state $|\psi\rangle$?

$$(i) \quad U(t)|\psi\rangle \xrightarrow[t \rightarrow -\infty]{} U_0(t)|\psi_{in}\rangle$$

$$(ii) \quad U(t)|\psi\rangle \xrightarrow[t \rightarrow \infty]{} U_0(t)|\psi_{out}\rangle$$

We can't let this $|\psi_{in}\rangle$ state (which we will call the in-asymptote) be localized near the potential, it should be localized (have position expectation value) some distance away from the potential. We can construct nasty pathological examples where there are bound states, etc. What we should do is prove that whenever we have an in-asymptote that according to some assumptions, the out-asymptote exists. Our assumptions are the following:

1. V is spherically symmetric
2. $V(r) = O(r^{-3-\epsilon})$ as $r \rightarrow \infty$
3. $V(r) = O(r^{-\frac{3}{2}+\epsilon})$ as $r \rightarrow 0$
4. There are a finite number of discontinuities for $r \in (0, \infty)$

We arrive at the **asymptotic condition**: if V satisfies these conditions, then for all possible free trajectories $|\psi_{in}\rangle$ there is some $|\psi\rangle$ such that $U(t)|\psi\rangle - U_0(t)|\psi_{in}\rangle \rightarrow 0$ as $t \rightarrow -\infty$. The nice thing about scattering theory is that it's very rigorous, but the proofs require lots of functional analysis and are quite difficult. What we will do here is provide a proof sketch, which can be filled in by reading Reed & Simon Volume 3 [4].

6.1.4 Proof Sketch of Existence Theorem

First we multiply by $U^\dagger(t)$ (we are assuming that U is unitary, which is not obvious). The desired condition is that:

$$|\psi\rangle - U^\dagger(t)U_0(t)|\psi_{in}\rangle \rightarrow 0$$

That is, we need to show that $U^\dagger(t)U_0(t)|\psi_{in}\rangle$ has a limit in the first place, then we need to show that its limit is $|\psi\rangle$. Let's focus on the existence of the limit itself. One trick people use very often is to differentiate and then integrate:

$$U^\dagger(t)U_0(t) = \mathbb{I} + \int_0^t ds U^\dagger(s) \hat{V} U_0(s) \quad (112)$$

We then require that $|\psi_{in}\rangle + \int_0^t ds U^\dagger(s) \hat{V} U_0(s) |\psi_{in}\rangle$ has a limit at $t \rightarrow -\infty$. A sufficient condition is that the norm of the integral is bounded:

$$\int_{-\infty}^0 ds \left\| U^\dagger(s) \hat{V} U_0(s) |\psi_{in}\rangle \right\| < \infty$$

Something useful is that Unitary transformations preserve norm!

$$\implies \int_{-\infty}^0 ds \left\| U^\dagger(s) \hat{V} U_0(s) |\psi_{in}\rangle \right\| = \int_{-\infty}^0 ds \left\| \hat{V} U_0(s) |\psi_{in}\rangle \right\|$$

We're going to first restrict our attention to when ψ_{in} is a Gaussian, that is:

$$\langle x | \psi_{in} \rangle \propto \exp \left[-\frac{\|x - a\|^2}{2\xi^2} \right]$$

We know from the Schrodinger equation that this evolves as follows:

$$|\langle x | U_0(s) | \psi_{in} \rangle|^2 = \left(1 + \frac{s^2}{m^2 \xi^4} \right)^{-\frac{3}{2}} \exp \left[-\frac{\|x - a\|^2}{\xi^2 + \frac{s^2}{m^2 \xi^4}} \right] \quad (113)$$

So that now,

$$\left\| \hat{V} U_0(s) | \psi_{in} \rangle \right\|^2 = \int d^3x |V(x)|^2 \left(1 + \frac{s^2}{m^2 \xi^4} \right)^{-\frac{3}{2}} \exp \left[-\frac{\|x - a\|^2}{\xi^2 + \frac{s^2}{m^2 \xi^4}} \right] \quad (114)$$

$$\leq \left(\int d^3x |V(x)| \right)^{\frac{1}{2}} \int_{-\infty}^0 ds \left(1 + \frac{s^2}{m^2 \xi^4} \right)^{-\frac{3}{4}} < \infty \quad (115)$$

Note that Gaussians are an overcomplete basis, since Gaussians come from coherent states which are overcomplete. So now we are basically done besides some subtleties. In the following,

$$|\psi_{in}\rangle = \int d^3y \Psi_{in}(y) |G(y)\rangle$$

The Ψ might be ill behaved! So the solution is to restrict ourselves to smooth and rapidly decaying input states. Another subtlety is that the Gaussians have some phase factor, which is some momentum e^{ikx} multiplied by the Gaussian, but that can be accounted for. If we wanted to relax a few of our assumptions, that won't be super hard - spherical symmetry can be relaxed if our potential is bounded, and so on. However, we can't allow our systems to be discrete! It turns out that H needs to have a continuous spectrum, otherwise there are no in/out states because the system will always return to its original configuration. This is called a revival, and every quantum system with discrete spectrum will experience a revival after some (astronomically long) time.

Exercise 6.1. Show equations (112) and (115)

6.2 Møller Operators

What we will do next is build a mapping between these in/out states and the 'interacting' trajectories (where the particle is near the potential). What we proved in the previous section was that if $V(r)$ satisfies

some conditions then for any $|\psi_{in}\rangle$ there is a corresponding interacting $|\psi\rangle$ which tends to $|\psi_{in}\rangle$ as t goes to negative infinity, and similarly for $|\psi_{out}\rangle$. The two asymptotes are related by the following:

$$|\psi\rangle = \lim_{t \rightarrow -\infty} U^\dagger(t)U_0(t)|\psi_{in}\rangle = \Omega_+ |\psi_{in}\rangle \quad (116)$$

$$|\psi\rangle = \lim_{t \rightarrow \infty} U^\dagger(t)U_0(t)|\psi_{out}\rangle = \Omega_- |\psi_{out}\rangle \quad (117)$$

These operators Ω_\pm are called Møller operators. We do have to be cautious defining limits of unitary operators - as a cautionary example just take $\text{diag}(e^{it}, e^{-it})$, which is unitary and oscillates wildly - the limit is not well defined. These operators are only well defined on an infinite dimensional Hilbert space.

Definition 30 (Møller Wave Operators).

$$\Omega_\pm |\psi\rangle = \lim_{t \rightarrow \mp\infty} U^\dagger(t)U_0(t)|\psi_{in/out}\rangle$$

These operators may not be unitary, but in general they are isometries - they preserve the norm of a state.

$$\|\Omega_\pm |\psi\rangle\| = \|\psi\rangle\|$$

In scattering theory the goal is to ignore the interacting terms - all we want is the information about the in and out states. It turns out that some combination of these Møller operators give us exactly what we need. Let's define some notation:

$$|\phi\rangle \equiv |\psi_{in}\rangle \quad |\chi\rangle \equiv |\psi_{out}\rangle \quad (118)$$

In textbooks and literature we will often also see $\Omega_+ |\phi\rangle = |\phi_+\rangle$ and $\Omega_- |\chi\rangle = |\chi_-\rangle$. Is it the case that every asymptotic free "in" trajectory gets mapped to the same subset of Hilbert space as the asymptotic free "out" trajectory? That is: we wish to know if the image of Ω_+ is the same as the image of Ω_- .

6.2.1 Orthogonality and Asymptotic Completeness

Does every $|\psi\rangle \in \mathcal{H}$ define a full trajectory $U(t)|\psi\rangle$ with in/out asymptotes? In general we already know that the answer is no (because of bound states). So let's define $\mathcal{B} \subset \mathcal{H}$ to be the space of bound states. Any state with an "in" asymptote is in the range of Ω_+ . This subspace will be called $\mathcal{R}_+ \equiv \text{im}(\Omega_+)$, and similarly for \mathcal{R}_- .

Theorem 1 (Orthogonality Theorem). *If $V(r)$ satisfies the asymptotic condition then $\mathcal{R}_+ \perp \mathcal{B}$ and $\mathcal{R}_- \perp \mathcal{B}$.*

Proof. Consider $|\psi\rangle \in \mathcal{R}_+$. Then $|\psi\rangle = \Omega_+ |\psi_{in}\rangle$. Let $|\phi\rangle$ be a bound state; $H|\phi\rangle = E|\phi\rangle$.

$$\langle\phi|\psi\rangle = \langle\phi|U^\dagger(t)U(t)|\psi\rangle \quad (119)$$

$$= \exp(iEt) \langle\phi|U(t)|\psi\rangle \quad (120)$$

$$(121)$$

(Since $U(t)|\psi\rangle \rightarrow U_0|\psi_{in}\rangle$) So let's study:

$$\lim_{t \rightarrow -\infty} \exp(iEt) \langle\phi|U_0(t)|\psi_{in}\rangle$$

Since $|\phi\rangle$ is always localized near the potential, we can see that this limit is going to be zero since the in trajectory is far away from the potential in the limit. So this gives us some proof for the orthogonality theorem (you should go to Reed & Simon to see the rest), but we don't yet know whether bound states and scattering states are the only possibilities! Let's define what a nice space should look like:

Theorem 2 (Asymptotic Completeness). *A scattering theory is called asymptotically complete if $\mathcal{R}_- = \mathcal{R}_+ = \mathcal{R}$. The Asymptotic Completeness theorem would then tell us that if a scattering theory is asymptotically complete, then $\mathcal{H} = \mathcal{R} \oplus \mathcal{B}$ whenever $V(r)$ satisfies the asymptotic condition.*

Assuming these conditions, we can see that $|\psi\rangle = \Omega_+ |\psi_{in}\rangle = \Omega_- |\psi_{out}\rangle$. Since Ω_\pm is an isometry, we can consider the adjoint Ω_\pm^\dagger which goes in the opposite direction. All along, these operators were just a way to construct something we can observe - one of the most important observables in all of physics:

Definition 31 (Scattering Operator). Let $|\psi\rangle = \Omega_- |\psi_{out}\rangle$. Then we define the scattering operator (or S-Matrix).

$$S \equiv \Omega_-^\dagger \Omega_+ \quad (122)$$

This is an operator composed of two Møller operators, and is one of the main observable operators in scattering theory. However, this is unitary, so it should be a little bit concerning to you since you have been taught that observables are positive operators - so in what sense is this operator observed? We will construct something called the cross section which you can relate to the S matrix.

First, let's prove that the scattering operator conserves energy, that is that it commutes with the Hamiltonian. One important observation is the following:

$$H\Omega_\pm |\psi\rangle = \Omega_\pm H_0 |\psi\rangle$$

Whenever $|\psi\rangle$ is a scattering state. Which we can prove as follows:

$$e^{iH\tau}\Omega_\pm = e^{iH\tau} \lim_{t \rightarrow \mp\infty} e^{iHt} e^{-iH_0 t} \quad (123)$$

$$= \lim_{t \rightarrow \mp\infty} e^{iH(t+\tau)} e^{-iH_0 t} \quad (124)$$

$$= \lim_{t \rightarrow \mp\infty} e^{iH(t+\tau)} e^{-i(H_0 t + \tau)} e^{iH_0 \tau} \quad (125)$$

$$= \Omega_\pm e^{iH_0 \tau} \quad (126)$$

Now we differentiate both sides and set $\tau = 0$ to get the desired result. Since $\Omega_\pm^\dagger \Omega_\pm = \mathbb{I}$, $\Omega_\pm H\Omega_\pm = H_0$. So then we have $S H_0 = \Omega_-^\dagger \Omega_+ H_0 = \Omega_-^\dagger H\Omega_+ = H_0 \Omega_-^\dagger \Omega_+$. Which shows that S conserves the incoming energy. That is $\langle \psi_{in} | H_0 | \psi_{in} \rangle = \langle \psi_{in} | S^\dagger H_0 S | \psi_{out} \rangle = \langle \psi_{out} | H_0 | \psi_{out} \rangle$.

Since S and H_0 commute, we can try to diagonalize S in terms of H_0 - which we can probably do since it's likely that H_0 is nondegenerate. H_0 has an improper basis given by plane waves (remember, this is the free particle Hamiltonian), so we can use that and apply the good old smearing argument for why this basis is good enough to use in a proof. The improper basis is given by: $\langle x | p \rangle = (2\pi)^{-3/2} e^{ip \cdot x}$, $\langle p | p' \rangle = \delta(p' - p)$. These are eigenstates of H_0 as $H_0 | p \rangle = \frac{p^2}{2m} | p \rangle$. We write $E_p = \frac{p^2}{2m}$ (though in the Klein-gordon equation we will have $E_p = \sqrt{p^2 + m^2}$). So we expand our out ket as:

$$|\psi_{out}\rangle = S |\psi_{in}\rangle$$

$$\langle p | \psi_{out} \rangle = \int d^3 p' \langle p | S | p' \rangle \langle p' | \psi_{in} \rangle \quad (127)$$

Where the term $\langle p | S | p' \rangle \langle p' | p' \rangle$ is referred to as the S-matrix element (or just the S matrix as an abuse of notation). We need to use conservation of energy here:

$$0 = \langle p | [H, S] | p \rangle = (E_p - E_{p'}) \langle p | S | p' \rangle$$

So this tells us that $\langle p | S | p' \rangle = \delta(E_p - E_{p'})$ times something else. Let's write $S = \mathbb{I} + R$ where R is called the R-matrix. Then \mathbb{I} gives us the non-scattering component, and R should give us something else. We will see:

$$\langle p | R | p' \rangle = -2\pi i \delta(E_p - E_{p'}) t(p \rightarrow p') \quad (128)$$

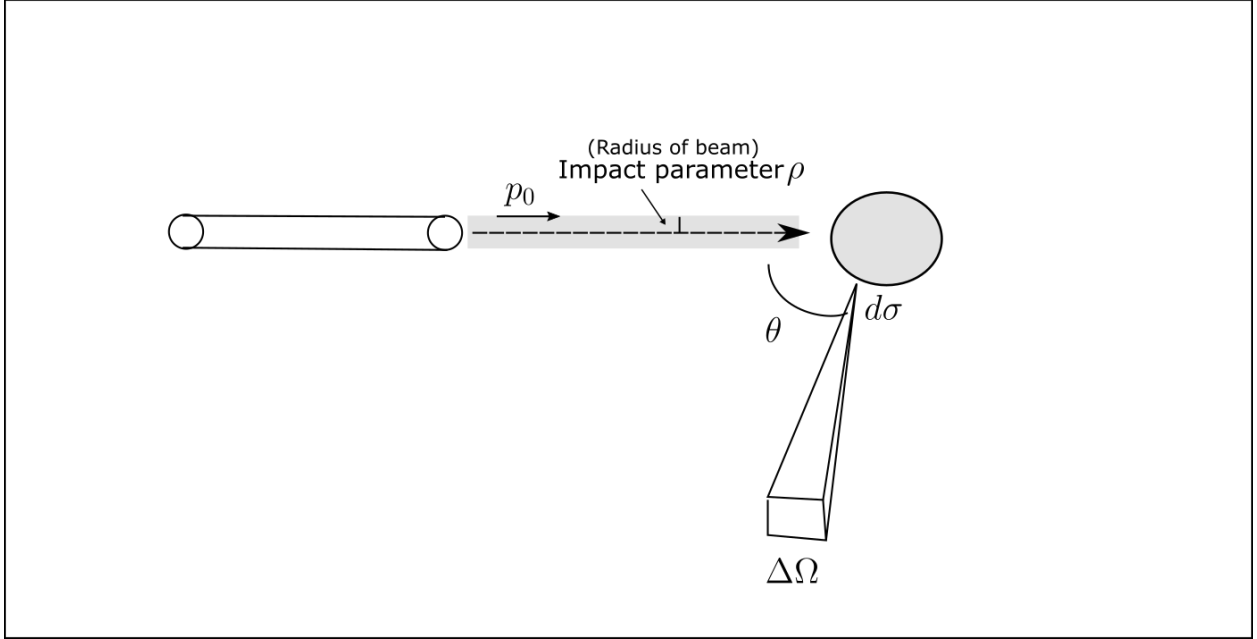
Where t is called the T-matrix. So then we have $\langle p | S | p' \rangle = \delta(p - p') - 2\pi i \delta(E_p - E_{p'}) t(p \rightarrow p')$. The momentum delta function gives us the scenario when no scattering occurs - if no scattering occurs then the t matrix is zero, and so the S matrix should only be nonzero when momentum is carried over. The T-matrix should be smooth, which you can prove through something called the cluster decomposition principle (which you should look up). Secondly, the T matrix is only defined on-shell, which means that $p^2 = p'^2$ - we guarantee this with the delta function. In addition, we will define the "scattering amplitude" by pulling out some more constants.

$$f(p \rightarrow p') = -(2\pi)^2 m t(p \rightarrow p') \quad (129)$$

Now that we have the definitions necessary, we will describe a proper scattering experiment and show how the S-matrix may be measured in principle.

6.3 Scattering Experiments and the Cross Section

Let's begin with the classical cross section. Consider the following apparatus:



This apparatus demonstrates the setup for a typical scattering experiment. Particles are fired from the cylinder with initial momentum p_0 in the direction of the source-target axis. The spread of particles falls within some deviation from the center of the cylinder, and the distance is denoted ρ . This quantity is referred to as the impact parameter. Here we will assume it follows a roughly uniform distribution, but this is not a perfect approximation. A particle is scattered off the target with some angle from the source-target axis, and has a probability of ending up in some solid angle. We repeat this scattering experiment N_{inc} times with random impact parameter, and the number which hit some region of the target's surface is given by the cross sectional area of the target multiplied by the number of incident particles. This gives $N_{scatter} = N_{inc}\sigma$, where σ is the cross sectional area. We will write n_{inc} for the number of incident particles per unit area, which has some kind of random distribution (which here we are taking to be uniform despite the fact that that is not a good approximation). Then, we take our detectors and check how many particles got scattered into a given solid angle, which is pictured in the diagram as $N_{sc}(\Delta\Omega)$. Then we can ask, what effective area led to the events in that solid angle? Thus we have $N_{sc}(\Delta\Omega) = n_{inc}\sigma(\Delta\Omega)$, where σ is that area. By piecing this data together we can figure out the structure of the object you are scattering off of. We then have a definition of something called the differential cross section.

Definition 32 (Differential Cross Section).

$$\sigma(d\Omega) = \frac{d\sigma}{d\Omega}d\Omega \quad (130)$$

So now, given an in wavefunction $\langle p|\psi_{in}\rangle$ we can find the probability that the particle is scattered into a volume d^3p of momentum space, which we denote $w(\psi_{in} \rightarrow d^3p) = d^3p|\psi_{out}(p)|^2$. Then the probability this particle emerges in the solid angle $d\Omega$ along the direction \hat{p} (the unit vector in the direction of $p = \hat{p}|p|$) is given by:

$$w(\psi_{in} \rightarrow d\Omega) = d\Omega \int_0^\infty p^2 dp |\psi_{out}(p)|^2 \quad (131)$$

All we're doing here is throwing out the momentum of the output particle by transforming from p to Ω . In some cases a detector can find the momentum but the typical experiment can not, this is done via calorimetry. We now will connect this with the F-matrix which we defined in equation (129). Let $\phi_\rho(p) = e^{-i\rho\hat{p}}\phi(p)$, where ρ is the impact parameter vector (deviation vector from the input-target axis). What this does is

translate the position by ρ , since a phase change by $\exp(-i\rho \cdot \hat{p})$ in momentum space is the same as a translation in configuration space (you may show this with the shift property of the Fourier transform). Then we have:

$$N_{sc}(d\Omega) = \sum_{j=1}^{N_{inc}} w(\phi_{\rho j} \rightarrow d\Omega)$$

Where we sum over N_{inc} experiments. This gives

$$N_{sc}(d\Omega) = \int d^3\rho n_{inc} w(\phi_{\rho} \rightarrow d\Omega) = n_{inc} \sigma(\phi \rightarrow d\Omega)$$

Now, combining (127), (128), (129), and (131)

$$\psi_{out}(p) = \psi_{in}(p) + \frac{i}{2\pi} \int d^3p' \delta(E_p - E_{p'}) f(p' \rightarrow p) \psi_{in}(p') \quad (132)$$

And we assume that the wavefunction is localized away from the forward direction. Let's write $\psi_{in} = e^{-i\rho \hat{p}} \phi$. Then,

$$\psi_{out} = \frac{i}{2\pi} \int d^3p' \delta(E_p - E_{p'}) f(p' \rightarrow p) e^{-i\rho \cdot \hat{p}} \phi(p')$$

Which expands out into the following nasty expression.

$$\sigma(\phi \rightarrow d\Omega) = \frac{d\Omega}{(2\pi^2)m^2} \int d^3\rho p^2 d^3p d^3p' d^3p'' \delta(E_p - E_{p'}) \delta(E_p - E_{p''}) f(p' \rightarrow p) \bar{f}(p'' \rightarrow p) e^{-i\rho \cdot (p' - p'')} \phi(p') \bar{\phi}(p'')$$

Which reduces to

$$\sigma(\phi \rightarrow d\Omega) = d\Omega \int d^3p' \frac{p'}{p'_{||}} |f(p' \rightarrow p)|^2 |\phi(p')|^2 \quad (133)$$

Finally, if $\phi(p')$ is nonzero only in a tiny region we may replace $f(p' \rightarrow p)$ and $\frac{p'}{p'_{||}}$ by their values at p_0 . This gives our final equation.

$$\frac{d\sigma}{d\Omega} = |f(p_0 \rightarrow p)|^2 \quad (134)$$

This does not give phase data, but it does give us most of the data needed to describe the scattering experiment.

6.4 Optical Theorem, Green's Functions, and T Operators

6.4.1 Optical Theorem

The next objective is to introduce several ways to connect scattering objects such as Møller operators to Hamiltonians and other observables. The first step to calculating the cross section is to recall a specific constraint, which is that the S matrix is unitary. Recall the definition of the R matrix, which is $S = \mathbb{I} + R$. This gives us a quadratic equation:

$$\begin{aligned} S^\dagger S = \mathbb{I} &\implies (\mathbb{I} + R^\dagger)(\mathbb{I} + R) = \mathbb{I} \\ &\implies R + R^\dagger = -R^\dagger R \end{aligned}$$

Working out the matrix elements, we have:

$$\langle p' | (R + R^\dagger) | p \rangle = \langle p' | -R^\dagger R | p \rangle$$

Then we have:

$$\langle p' | R | p \rangle + \langle p' | R^\dagger | p \rangle = - \int d^3p'' \langle p' | R^\dagger | p'' \rangle \langle p'' | R | p \rangle$$

Now we use all of our previous definitions.

$$\begin{aligned}\langle p' | R | p \rangle &= \frac{i}{2\pi m} \delta(E_{p'} - E_p) f(p \rightarrow p') \\ f(p \rightarrow p') - f(p' \rightarrow p)^* &= \frac{i}{2\pi m} \int d^3 p'' \delta(E_p - E_{p''}) f(p' \rightarrow p'')^* f(p \rightarrow p'')\end{aligned}\quad (135)$$

Which provides:

Theorem 3 (Optical Theorem). *Let $\sigma(p) = \int d\Omega_{p'} \frac{d\sigma}{d\Omega}$. Then*

$$\text{Im } f(p' \rightarrow p) = \frac{|p_{||}|}{4\pi} \sigma(p) \quad (136)$$

Exercise 6.2. *Prove equation (136)*

This is a great check to see whether or not your experiment is preserving the unitarity of the S matrix, which tells you if your experiment has gone wrong. Remember, you can calculate the scattering cross section by adding up all the number of particle hits in each solid angle! And you know the momentum of the incoming particles! So this gives you information about S from your experiment.

6.4.2 Green's Operator and the T Operator

Let $H_0 = \frac{p^2}{2m}$ be the free particle Hamiltonian, and set $H = H_0 + V$. What we want to do is exploit the free particle Hamiltonian, and use perturbation theory to expand things like the S matrix in terms of powers of V . We will introduce the Green's operator. Recall the Green's function of a partial differential equation:

Definition 33 (Green's Function). *Let $L\phi = F$ be a linear partial differential equation with differential operator ϕ . Then the solution G to $LG = \delta(x - y)$ satisfies $\phi(x, t) = \int dy G(x, y, t) F(y)$, with $\phi(x, 0) = F(x)$. The function $G(x, y, t)$ is called the Green's function of the operator L .*

In first order perturbation theory, we have $G(z) = (z - H)^{-1}$ and $G_0(z) = (z_0 \mathbb{I} - H_0)^{-1}$ whenever $z \notin \text{Spec}(H_0)$ or $\text{Spec}(H)$ respectively. In general, these operators are not analytic on \mathbb{R}^+ . In order to work with these on the positive real axis, it is important to work with values of z with $\text{Im } z \neq 0$ - this provides a so called $i\epsilon$ prescription where we take $\text{Im } z$ arbitrarily close to the real axis. A useful identity is the following:

$$A^{-1} = B^{-1} + B^{-1}(B - A)A^{-1} \quad (137)$$

Let $A = z - H$ and $B = z - H_0$. Then:

Theorem 4 (Lippman-Schwinger Equation).

$$\begin{aligned}G(z) &= G_0(z) + G_0(z)VG(z) \\ G_0(z) &= G(z) - G(z)VG_0(z)\end{aligned}$$

Using these two equations, we can construct a perturbation theory for G ! Just plug one equation into the other repeatedly. We know $G_0(z) |p\rangle = (z - \frac{p^2}{2m})^{-1} |p\rangle = \frac{1}{z - E_p} |p\rangle$, which is a simple equation (note that if $z \in \text{Spec}(H)$ we will add $i\epsilon$ to the denominator to keep things well defined). We will introduce another operator, called the T operator.

Definition 34 (T Operator).

$$T(z) = V + VG(z)V \quad (138)$$

Multiplying on the left by $G_0(z)$ gives us:

$$G_0(z)T(z) = G_0(z)V + G_0(z)VG(z)V = G(z)V \implies G_0T = GV$$

Similarly, $TG_0 = VG$. Now let's tie these operators together.

$$G(z) = G_0(z) + G_0(z)VG(z) \quad (139)$$

$$= G_0(z) + G_0(z)T(z)G_0(z) \quad (140)$$

$$\implies T(z) = V + VG_0(z)T(z) \quad (141)$$

$$= V + VG_0(z)(V + VG_0(z)T(z)) \quad (142)$$

$$(143)$$

Which gives us the Born Series.

$$T(z) = V + VG_0(z)V + VG_0(z)VG_0(z)V + \dots$$

Now let's relate these operators to Møller operators. Recall that for $|\psi_{in}\rangle = |\phi\rangle$ we defined $|\psi\rangle = \Omega_+ |\psi_{in}\rangle = |\phi_+\rangle$ and similarly for Ω_- . And we had a definition for the Møller operator in terms of the Hamiltonian, which we will use to connect it to the T and G operators. Recall equation (112):

$$|\phi_-\rangle = |\phi\rangle + i \int_0^\infty d\tau U(\tau)^\dagger V U_0(\tau) |\phi\rangle$$

Where $U(\tau) = e^{-i\tau H}$ and $U_0(\tau) = e^{-i\tau H_0}$. If we know that the Møller operator can be written in terms of T and G operators, we are very close to expressing S in terms of theoretical quantities as a perturbation expansion. Whenever this integral is absolutely convergent we may write:

$$\int_0^\infty d\tau |\psi_\tau\rangle = \lim_{\epsilon \rightarrow 0^+} \int_0^\tau d\tau e^{-\epsilon\tau} |\psi_\tau\rangle$$

Doing this here allows us to push the integral off the real axis, so that we don't have to worry about the Green's functions spectral issues. This gives:

$$|\phi_-\rangle = \Omega_- |\phi\rangle = |\phi\rangle + i \lim_{\epsilon \rightarrow 0^+} \int_0^\infty d\tau e^{-\epsilon\tau} U^\dagger(\tau) V U_0(\tau) \int d^3p |p\rangle\langle p| |\phi\rangle$$

Noting that $U_0(\tau) |p\rangle = e^{-i\tau E_p} |p\rangle$, we have:

$$|\phi_-\rangle = |\phi\rangle + i \lim_{\epsilon \rightarrow 0^+} \int d^3p \int_0^\infty d\tau e^{-i(E_p - i\epsilon - H)\tau} V |p\rangle\langle p| |\phi\rangle \quad (144)$$

$$= |\phi\rangle + i \lim_{\epsilon \rightarrow 0^+} \int d^3p (-i)(E_p - i\epsilon - H)^{-1} V |p\rangle\langle p| |\phi\rangle \quad (145)$$

$$= |\phi\rangle + \lim_{\epsilon \rightarrow 0^+} \int d^3p G(E_p - i\epsilon) V |p\rangle\langle p| |\phi\rangle \quad (146)$$

Since E_p is on the real line, we needed to introduce the $i\epsilon$ factor. Similarly,

$$|\phi_+\rangle = |\phi\rangle + \lim_{\epsilon \rightarrow 0^-} \int d^3p G(E_p + i\epsilon) V |p\rangle\langle p| |\phi\rangle \quad (147)$$

Now we relate to the Scattering operator.

$$\langle \chi | S | \phi \rangle = \langle \chi | \Omega_-^\dagger \Omega_+ | \phi \rangle = \lim_{t \rightarrow \infty} \lim_{t' \rightarrow \infty} \langle \chi | e^{iH_0 t} e^{-iH t} e^{iH t'} e^{-iH_0 t'} | \phi \rangle$$

The order in the limit is not important, so you can actually take $t = t'$. So $\langle \chi | S | \phi \rangle = \lim_{t \rightarrow \infty} \langle \chi | e^{iH_0 t} e^{-2iH t} e^{iH_0 t} | \phi \rangle$.

Then we apply the same trick as for the Møller operators.

$$\langle \chi | S | \phi \rangle = \langle \chi | \phi \rangle - i \langle \chi | \int_0^\infty dt e^{-\epsilon t} \frac{d}{dt} (e^{iH_0 t} e^{-2iHt} e^{iH_0 t}) | \phi \rangle \quad (148)$$

$$= \langle \chi | \phi \rangle - i \int_0^\infty dt e^{-\epsilon t} \langle \chi | \frac{d}{dt} (e^{iH_0 t} e^{-2iHt} e^{iH_0 t}) | \phi \rangle \quad (149)$$

$$\implies \langle p' | S | p \rangle = \delta(p' - p) - i \lim_{\epsilon \rightarrow 0^+} \int_0^\infty dt \langle p' | \left\{ V, e^{i(E_p + E_{p'} + i\epsilon - 2H)t} \right\} | p \rangle \quad (150)$$

$$= \delta(p' - p) + \lim_{\epsilon \rightarrow 0^+} \left(\frac{1}{E_{p'} - E_p + i\epsilon} + \frac{1}{E_p - E_{p'} + i\epsilon} \right) \langle p' | T \left(\frac{E_{p'} + E_p}{2} + i\epsilon \right) | p \rangle \quad (151)$$

$$= \delta(p' - p) - 2\pi i \delta(E_{p'} - E_p) \lim_{\epsilon \rightarrow 0^+} \langle p' | T(E_p + i\epsilon) | p \rangle \quad (152)$$

Exercise 6.3. Prove equation (152)

This gives a direct way of calculating $t(p \rightarrow p')$ which we saw previously, through a perturbation expansion in $G_0(z)$.

6.5 Stationary Scattering States and the Born Approximation

Earlier we saw the connection between the theoretical calculations of scattering experiments and the experimental calculations. You can observe the S matrix via the differential cross section. We want to predict this differential cross section for some system, so we need a model - the free particle in a central potential is the one we will focus on here.

$$H = \frac{p^2}{2m} + V(r) \quad (153)$$

How do we get S from H ? When the potential is strong and nontrivial this is difficult, so we will apply simplifications - exploit the fact that V is small. In the last section we derived the equation

$$\langle \chi | S | \phi \rangle = \delta(p' - p) - 2\pi i \delta(E_{p'} - E_p) \lim_{\epsilon \rightarrow 0^+} \langle p' | T(E_p + i\epsilon) | p \rangle \quad (154)$$

$$\langle p' | T | p \rangle = \langle p' | V | p \rangle + \int d^3 p'' \frac{\langle p' | V | p'' \rangle}{z - E_{p''}} \langle p'' | T | p \rangle \quad (155)$$

Where the equation for T can be solved via a series expansion. Recall as well that we introduced the improper vectors $|p_\pm\rangle = \Omega_\pm |p\rangle$. We can expand full states in terms of these improper vectors.

So, far away from the origin the improper states look like plane waves, but close to the origin there is a disturbance (pictured in the above diagram). There is also a phase shift, which is captured in the diagram by the shifting of the peaks. On the right side of the diagram, the picture looks like plane waves disturbed by some kind of circularly symmetric wave which may decay far away from the origin of the potential. Let's write down how to write full states in terms of these improper states.

$$|\phi_+\rangle = \Omega_+ \int d^3 p \phi(p) |p\rangle = \int d^3 p \phi(p) |p_+\rangle$$

So all you need to do to get the full trajectory from an asymptotic trajectory is replace $|p\rangle$ by $|p_\pm\rangle$. These improper states are called stationary scattering states.

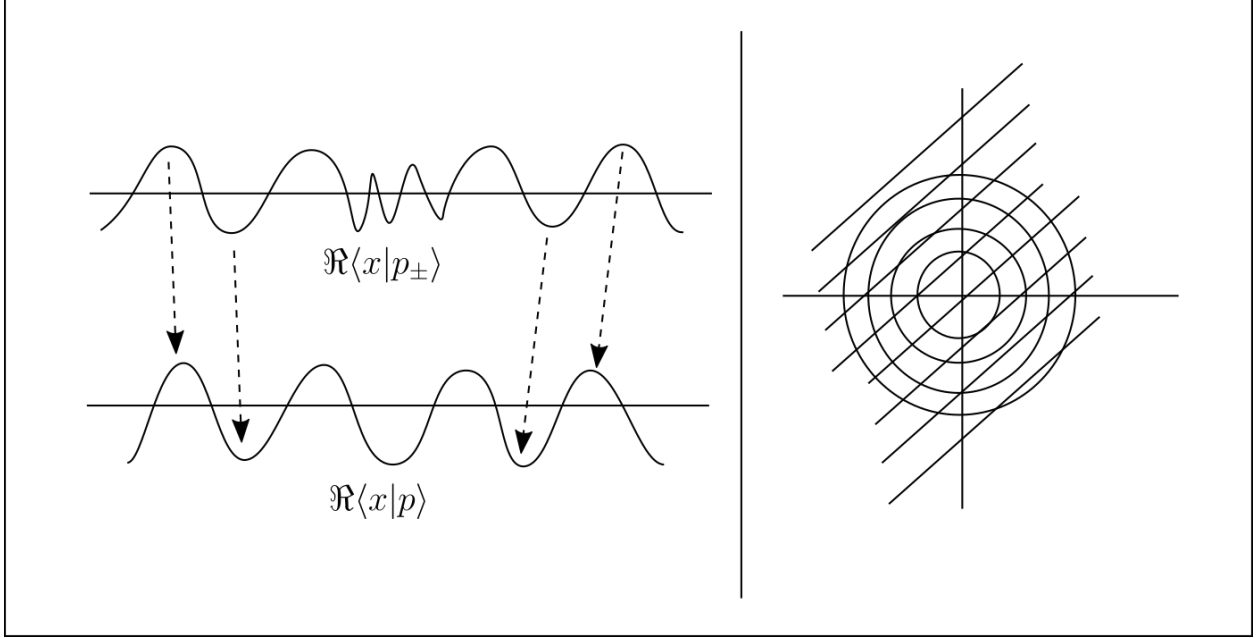
Definition 35 (Stationary Scattering State). Let $\{|p\rangle\}$ be a momentum eigenbasis. The following defines a stationary state $|p_\pm\rangle$.

$$|p_\pm\rangle = \Omega_\pm |p\rangle \quad (156)$$

These states satisfy the time independent Schrodinger equation: $H |p_\pm\rangle = E_p |p_\pm\rangle$ - which you can see by the intertwining relation:

$$H |p_\pm\rangle = H \Omega_\pm |p\rangle = \Omega_\pm H_0 |p\rangle = E_p |p_\pm\rangle$$

Now, the interpretation of these things is not as vectors in the Hilbert space (remember - we integrate them against functions to build vectors, so they're distributions). For these scattering states to be defined, they



really need to be as components of a trajectory. But from the definition of the Møller operators, you might think that the statement $U(t)|\phi_{+}\rangle \rightarrow U_0(t)|\phi\rangle$ implies that $U(t)|p_{+}\rangle \rightarrow U_0(t)|p\rangle$. But this is not the case! Since $U(t)|p_{+}\rangle = e^{-iE_p t}|p_{+}\rangle$ - the limit does not exist! So you can't take limits of these objects - only limits of states which are images of the distribution associated with them. For some intuition behind this, imagine a water wave. A wave localized near the origin will diffuse out - it has a well defined limit, but the fourier components of the wave don't individually have well defined limits! The limiting effect only shows up because of constructive and destructive interference. For a rigorous description, see the Riemann-Lebesgue Lemma. Recall that $\Omega_{\pm} : \mathcal{H} \rightarrow \mathcal{R}$. Then we see that since the $|p\rangle$ s form an improper complete basis for \mathcal{H} , then the stationary scattering states form an improper complete basis for \mathcal{R} . Let's have a look at the orthogonality conditions then:

$$\langle p_{+}|p'_{+}\rangle = \langle p|\Omega_{+}^{\dagger}\Omega_{+}|p'\rangle = \langle p|p'\rangle = \delta(p-p')$$

Since by assumption $\mathcal{H} = \mathcal{R} \oplus \mathcal{B}$, let's pick a basis $|E_n\rangle$ for \mathcal{B} . Then our completeness relation is:

$$\mathbb{I} = \int d^3p |p_{\pm}\rangle\langle p_{\pm}| + \sum_k |E_k\rangle\langle E_k|$$

Now we need to get an equation for stationary scattering states. We have already seen:

$$\begin{aligned} |\phi_{\pm}\rangle &= |\phi\rangle + \int d^3p G(E_p \pm i\epsilon)V|p\rangle\langle p|\phi\rangle \\ \implies \int d^3p \phi(p)|p_{\pm}\rangle &= \int d^3p \phi(p)|p\rangle + \int d^3p G(E_p \pm i\epsilon)V|p\rangle\phi(p) \\ \implies |p_{\pm}\rangle &= |p\rangle + G(E_p \pm i\epsilon)V|p\rangle \end{aligned}$$

Now consider the T matrix $t(p \rightarrow p') = \langle p'|T|p\rangle$. We have $T(E_p + i\epsilon)|p\rangle = [V + VG(E_p + i\epsilon)V]|p\rangle$, so then:

$$T(E_p \pm i\epsilon)|p\rangle = V|p_{\pm}\rangle, \quad t(p \rightarrow p') = \langle p'|V|p_{\pm}\rangle \quad (157)$$

If we could somehow figure out $|p_{\pm}\rangle$ then we would have a great solution! First, replace GV by G_0T and substitute into the above:

$$|p_{\pm}\rangle = |p\rangle + G_0(E_p \pm i\epsilon)V|p_{\pm}\rangle \quad (158)$$

Which is the Lippman Schwinger equation for the stationary scattering states. The solution is again the Born series:

$$|p_{\pm}\rangle = |p\rangle + G_0 V |p\rangle + (G_0 V)^2 |p\rangle + \dots$$

This gives us an expression for the T matrix, called the Born approximation:

Theorem 5 (Born Approximation).

$$t(p \rightarrow p') = \langle p'|V|p\rangle + \langle p'|VG_0V|p\rangle + \dots \approx \langle p'|V|p\rangle \quad (159)$$

This final approximation is something we can calculate completely, with only a model of the internal structure of the system. We need absolutely no information about the Greens function or anything - just the potential. Let's do an example now.

Example

Let $V(x) = -\exp(-\lambda|x|)$. Then we have $t(p \rightarrow p') = \int e^{ip'x} e^{-\lambda|x|} e^{-ipx} dx$ This integral becomes:

$$\begin{aligned} t(p \rightarrow p') &= \frac{1}{2\pi} \left[\int_0^{\infty} e^{i(p'-p)x} e^{-\lambda x} dx + \int_{-\infty}^0 e^{i(p'-p)x} e^{\lambda x} dx \right] \\ &= \frac{1}{2\pi} \left[\frac{1}{i(p'-p) + \lambda} - \frac{1}{i(p'-p) - \lambda} \right] \\ &= \frac{2\lambda}{(p' - p)^2 + \lambda^2} \end{aligned}$$

6.6 Spacial Description of Scattering

In the previous section we looked at momentum space scattering, so let's look at the spacial description through a Fourier transform. Step one is to look at the stationary scattering state wavefunctions $\langle x|p_{\pm}\rangle$. These satisfy:

$$\begin{aligned} |p_{\pm}\rangle &= |p\rangle + G_0(E_p \pm i\epsilon)V|p_{\pm}\rangle \\ \langle x|p_{\pm}\rangle + \langle x|p\rangle &+ \int d^3x' \langle x|G_0(E_p \pm i\epsilon)|x'\rangle V(x') \langle x'|p_{\pm}\rangle \end{aligned} \quad (160)$$

So this is just an integral equation which we can solve. Let's look at the hard part first, which is $\langle x|G_0|x'\rangle$. We know how to diagonalize G_0 as $\mathbb{I}/(z - H_0)$.

$$\langle x|G_0|x'\rangle = \langle x|\mathbb{I}(z - H_0)^{-1}|x'\rangle = \int d^3p \langle x|\mathbb{I}(z - H_0)^{-1}|p\rangle \langle p|x'\rangle$$

Noting that $H_0|p\rangle = E_p|p\rangle$, we have:

$$\langle x|G_0|x'\rangle = \int d^3p \langle x|p\rangle \langle p|x'\rangle \frac{1}{z - E_p} = \frac{1}{(2\pi)^3} \int d^3p \frac{e^{ip \cdot (x-x')}}{z - \frac{p^2}{2m}}$$

This integral is doable with contour integration. Note that we really only care about when $|t|$ is very large. So if the particle has some wave velocity v we are interested only in large $|x|$ - when the particle is localized far away from the scattering target. For the integral, convert to polar coordinates by setting $x - x'$ to be the polar axis, and then we have $ip \cdot (x - x') = i|p||x - x'| \cos \theta$ in polar coordinates. In spherical coordinates we just introduce another angle transverse to θ . So a factor of 4π vanishes from the denominator, and by a u substitution we can integrate by contour integration.

$$\langle x|G_0|x'\rangle = \frac{im}{2\pi^2|x-x'|} \int_{-\infty}^{\infty} du \frac{ue^{iu|x-x'|}}{u^2 - 2mz} = \frac{-m \exp(i\sqrt{2mz}|x-x'|)}{2\pi|x-x'|}$$

We don't really care about z in general, we only care about when $z = E_p \pm i\epsilon$. So as $z \rightarrow E_p$ (from above or below), we get:

$$\langle x|G_0(E_p \pm i0)|x'\rangle = \frac{-m}{2\pi} \frac{e^{\pm i|p||x-x'|}}{|x-x'|} \quad (161)$$

Substituting this into (160): Suppose $|V(x)| = 0$ for $|x| > a > 0$. with a large.

$$\langle x|p_{\pm}\rangle = \langle x|p\rangle - \frac{m}{2\pi} \int d^3x' \frac{e^{\pm i|p||x-x'|}}{|x-x'|} V(x') \langle x'|p_{\pm}\rangle$$

So we only need to integrate on some finite effective range of the potential, which gives us essentially a plane wave plus something short range. Let's expand $|x-x'|$:

$$|x-x'| = r \left[1 - \frac{x \cdot x'}{r^2} + O\left(\frac{r'^2}{r^2}\right) \right]$$

$$\implies \langle x|p_{\pm}\rangle = \langle x|p\rangle - \frac{me^{i|p|r}}{2\pi} \int d^3x' e^{\mp i|p|\hat{x} \cdot x'} V(x') \langle x'|p_{\pm}\rangle \left[1 + O\left(\frac{a}{r} + \frac{a^2}{r}\right) \right]$$

When r is large this then becomes:

$$\langle x|p_{\pm}\rangle \xrightarrow{r \rightarrow \infty} (2\pi)^{-3/2} \left[e^{ip \cdot x} - (2\pi)^2 m \langle \pm|p|\hat{x}|V|p_{\pm}\rangle e^{i|p|r} \right] \quad (162)$$

Since $-(2\pi)^2 m \langle p'|V|p_{\pm}\rangle = f(p \rightarrow p')$, we have:

$$\langle x|p_{\pm}\rangle \xrightarrow{r \rightarrow \infty} (2\pi)^{-3/2} \left[e^{ip \cdot x} + f(p \rightarrow |p|\hat{x}) \frac{1}{r} e^{ipr} \right] \quad (163)$$

Which is a plane wave plus a spherical wave!

Now let's focus on the dynamics of the system as time passes. We have:

$$|\psi_{in}\rangle = \int d^3p \phi(p) |p\rangle$$

With some kind of 'kick' where we peak the momentum wave function $\phi(p)$ around some p_0 which is parallel to the scattering beam direction. This looks like some kind of gaussian centered at p_0 . To see the free wave function ψ_0 we just solve the free theory to get

$$\psi_0(x, t) = (2\pi)^{-3/2} \int d^3p \phi(p) e^{i(p \cdot x - E_p t)}$$

The group velocity is $\frac{\partial E_p}{\partial p} = v$ and we expand this around E_0 which is the component focused around p_0 and get $E_p = E_0 + v_0(p - p_0) + O(\Delta p^2) = -E_0 + v_0 p$. Where $v_0 = \frac{p_0}{m}$ and $E_p = \frac{p^2}{2m}$. So the outgoing wave can be written as:

$$\begin{aligned} \psi_{in}(x, t) &\approx (2\pi)^{-3/2} e^{iE_0 t} \int d^3p \phi(p) e^{ip \cdot (x - v_0 t)} (1 + O(\Delta p^2 t)) \\ &\approx \psi_{in}(x - v_0 t) e^{iE_0 t} \left(1 + O\left(\frac{t}{mb^2}\right) \right) \end{aligned}$$

Where b is the impact parameter. Here we assume that $a \ll b$ - the effective range of the potential is much smaller than the impact parameter. Assume that at $t = 0$ the particle arrives at the target. Around $t = 0$ we have:

$$\psi(x, t) = \int d^3p \phi(p) e^{-iE_p t} \langle x|p_+\rangle$$

And for $t > 0$ and $r \gg pa^2$ (where a is the effective range of the potential) we may write:

$$\langle x|\psi\rangle \rightarrow (2\pi)^{-3/2} \int d^3p \phi(p) e^{-iE_p t} \left[e^{ipx} + f(p \rightarrow \rho \hat{x}) \frac{e^{ipr}}{r} \right] = \psi_{in} + \psi_{\hat{x}}$$

We haven't derived any guarantees on the smoothness of the F matrix, but let's assume it's smooth for the time being. If $\phi(p)$ is very localized around p_0 then

$$\psi_{\hat{x}}(x, t) \approx (2\pi)^{-3/2} f(p_0 \rightarrow p_0 \hat{x}) \frac{\psi_{in}(r\hat{k}, t)}{r} (1 + O(r/p_0 b^2))$$

So the scattered wave at x is some radially decaying function multiplied by the unscattered wave at $r\hat{k}$.

7 Symmetries and Wigner's Theorem

The last part of this course will be to discuss a theorem called Wigner's theorem, which tells us how to implement symmetries in many particle quantum mechanics. Symmetries make it easier to do physics because it slims down the number of things we need to examine!

Definition 36 (Symmetry Transformation). *A symmetry transformation T is an invertible transformation of rays⁸ in Hilbert space which preserves transition probabilities. That is: for all $|\psi\rangle \in [|\psi\rangle_0]$ and for all $|\phi\rangle \in [|\phi\rangle_0]$, with $|\psi'\rangle \in T[|\psi\rangle_0], |\phi'\rangle \in T[|\phi\rangle_0]$, the transition probabilities are conserved:*

$$|\langle \psi' | \phi' \rangle|^2 = |\langle \psi | \phi \rangle|^2$$

The reason we define these transformations over rays is because up to a normalization constant, states which are multiplies of each other are equivalent. Symmetry transformations need not be linear - they may be antilinear (which we will define). Our goal will be to prove Wigner's theorem:

Theorem 6 (Wigner). *Any symmetry transformation T has a representation over the Hilbert space of states given by an operator which is either Unitary or Antiunitary.*

By antiunitary we mean that the transformation U preserves transition probabilities and that $U(a|\psi\rangle) = a^*U(|\psi\rangle)$.

7.1 Proof of Wigner's Theorem

An example of an antiunitary symmetry would be time-reversal symmetry. To begin the proof, we need to figure out that T is an operator in the first place. Consider a complete orthonormal set of state vectors belonging to rays $|\psi_j\rangle \in [|\phi_k\rangle]$ with $\langle \psi_k | \psi_j \rangle = \delta_{kj}$. Consider $|\psi'_j\rangle \in T[|\phi_j\rangle]$. Then we know from the preservation of transition probabilities that these $|\psi'_j\rangle$ are orthonormal, since $\langle \psi'_j | \psi'_k \rangle \geq 0$. We need this basis to also be complete. Suppose this is not a complete basis - then there is some $|\chi'\rangle$ which is orthogonal to all of the $|\psi'_j\rangle$'s. Then we may apply the inverse T^{-1} to the ray $[|\chi'\rangle]$ to find $|\chi''\rangle$ which has $|\langle \chi'' | \psi_j \rangle| = 0$, so $|\chi'\rangle$ must be equal to one of those $|\psi'_j\rangle$ vectors.

Now we build something called a phase reference. Without loss of generality take $|\psi_1\rangle$ and build

$$|\xi_j\rangle = \frac{1}{\sqrt{2}}(|\psi_1\rangle + |\psi_j\rangle) \in [|\xi_j\rangle], j \neq 1$$

Let $|\xi'_j\rangle \in T[|\xi_j\rangle]$ and expand in terms of $|\psi'_j\rangle$ as $|\xi'_j\rangle = \sum_k c_{jk} |\psi'_k\rangle$. Then from the preservation of transition probabilities, $|c_{jj}| = |c_{j1}| = \frac{1}{\sqrt{2}}$. And for $j \neq k$, $|c_{jk}| = 0$. We can, for all j , choose phases of $|\xi'_j\rangle$ and $|\psi'_j\rangle$.

Denote the vectors $|\xi'_j\rangle = U|\xi_j\rangle$ and $|\psi'_j\rangle = U|\psi_j\rangle$. This is an abuse of notation at the moment but it will work. We then see that:

$$U \frac{1}{\sqrt{2}}(|\psi_j\rangle + |\psi_1\rangle) = U|\xi_j\rangle = \frac{1}{\sqrt{2}}(U|\psi_j\rangle + U|\psi_1\rangle)$$

So this U thing behaves almost like an operator. Let $|\Psi\rangle \in [|\Phi\rangle]$ be an arbitrary vector and expand.

$$|\Psi\rangle = \sum_j c_j |\psi_j\rangle$$

Any vector $|\Psi'\rangle$ belonging to $T[|\Phi\rangle]$ may be written as

$$|\Psi'\rangle = \sum_j c'_j |\psi'_j\rangle$$

Since the transition probabilities are conserved,

$$|\langle \psi_j | \Psi \rangle|^2 = |\langle U\psi_j | \Psi' \rangle|^2$$

⁸A ray $[|\psi\rangle]$ is the collection $\{a|\psi\rangle\}$ for all $a \in \mathbb{C}$.

So $|c_j|^2 = |c'_j|^2$. This means the two sets of coefficients differ only up to a possible phase. We only know that these phases are simple in the case of the basis $|\psi\rangle_j$ vectors. The other equation we get is

$$|\langle \xi_j | \Psi \rangle|^2 = |\langle U \xi_j | \Psi' \rangle|^2 \implies |c_j + c_1|^2 = |c'_j + c'_1|^2$$

Take these two relations between the c_j coefficients and divide them - you will get:

$$\operatorname{Re} \frac{c_1}{c_j} = \operatorname{Re} \frac{c'_1}{c'_j}$$

And also,

$$\operatorname{Im} \frac{c_1}{c_j} = \pm \operatorname{Im} \frac{c'_1}{c'_j}$$

This \pm is important - we either have $c_j/c_1 = c'_j/c'_1$ or $c_j/c_1 = (c'_j/c'_1)^*$. Nothing now forbids different j from having different cases - we need to show that either all the c_j 's get preserved or all the c_j 's get conjugated. Suppose otherwise. Then for some j we have $c_j/c_1 = c'_j/c'_1$ but for some k we have $c_k/c_1 = c_k^*/c_1^*$. Define the state:

$$|\phi\rangle = \frac{1}{\sqrt{3}}(|\psi_1\rangle + |\psi_j\rangle + |\psi_k\rangle)$$

So the transformed vector is

$$|\phi'\rangle = \frac{\alpha}{\sqrt{3}}(U|\psi_1\rangle + U|\psi_j\rangle + U|\psi_k\rangle)$$

With $|\alpha| = 1$. But equality of $|\langle \phi | \psi \rangle|^2$ with $|\langle \phi' | \psi' \rangle|^2$ requires that $\operatorname{Im} c_j/c_1 = 0$ or $\operatorname{Im} c_k/c_1 = 0$ (as an exercise) which is a contradiction. So either all of the components get conjugated or none. So let's prove that this happens with arbitrary superpositions. Choose either:

$$(a) \quad U \left[\sum_j c_j |\psi_j\rangle \right] = \sum_j c_j U |\psi_j\rangle$$

or

$$(b) \quad U \left[\sum_j c_j |\psi_j\rangle \right] = \sum_j c_j^* U |\psi_j\rangle$$

Suppose we find a pair of states $|\Psi\rangle = \sum_j a_j |\psi_j\rangle$, $|\Phi\rangle = \sum_j b_j |\psi_j\rangle$ so that (a) applies to one and (b) applies to the other. Then:

$$|\langle \Psi | \Phi \rangle|^2 = \left| \sum_j a_j b_j^* \right|^2 = |\langle \Psi' | \Phi' \rangle|^2 = \left| \sum_j a_j b_j \right|^2$$

So then: $\sum_{j,k} \operatorname{Im}(a_j^* a_k) \operatorname{Im}(b_j^* b_k) = 0$. We can always find a state vector $|\Xi\rangle = \sum_j d_j |\psi_j\rangle$ so that:

$$\sum_{j,k} \operatorname{Im}(d_j^* d_k) \operatorname{Im}(a_j^* a_k) = 0$$

and

$$\sum_{j,k} \operatorname{Im}(d_j^* d_k) \operatorname{Im}(b_j^* b_k) = 0$$

But this vector $|\Xi\rangle$ can't possibly satisfy both of these, since we said that it can't satisfy both (a) and (b) at the same time. So this is a contradiction. Thus U acts either antiunitarily or unitarily. This completes the course!

References

- [1] S Twareque Ali and Miroslav Engliš. “Quantization methods: a guide for physicists and analysts”. In: *Reviews in Mathematical Physics* 17.04 (2005), pp. 391–490.
- [2] Ola Bratelli and Derek W Robinson. “Operator algebras and quantum statistical mechanics”. In: *Bull. Amer. Math. Soc* 7 (1982), pp. 425–427.
- [3] Jon M Leinaas and Jan Myrheim. “On the theory of identical particles”. In: *Il Nuovo Cimento B (1971-1996)* 37.1 (1977), pp. 1–23.
- [4] Michael Reed and Barry Simon. “Scattering theory. Methods of modern mathematical physics, Vol. 3.” In: *Scattering theory. Methods of modern mathematical physics, Vol. 3., by Reed, M.; Simon, B.. New York, NY (USA): American Press, 15+ 463 p.* (1979).
- [5] John R Taylor. *Scattering theory: the quantum theory of nonrelativistic collisions*. Courier Corporation, 2006.
- [6] Steven Weinberg. *The quantum theory of fields. Vol. 1: Foundations*. Cambridge University Press, 1995.