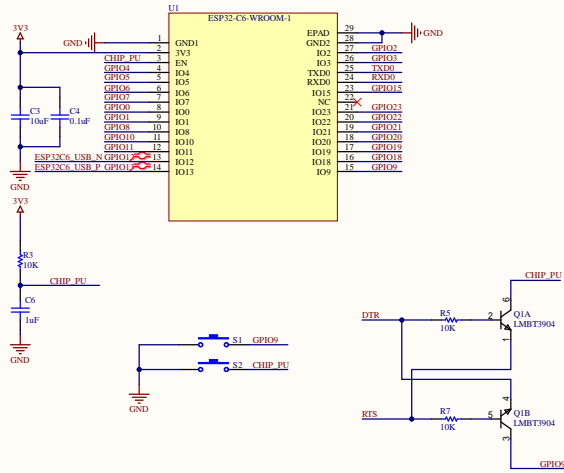
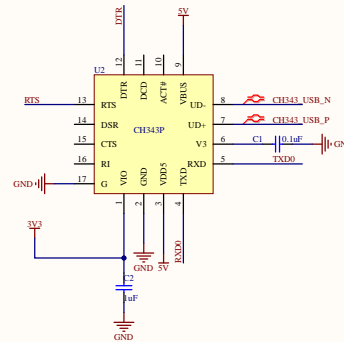


nanoESP32-C6 v1.0

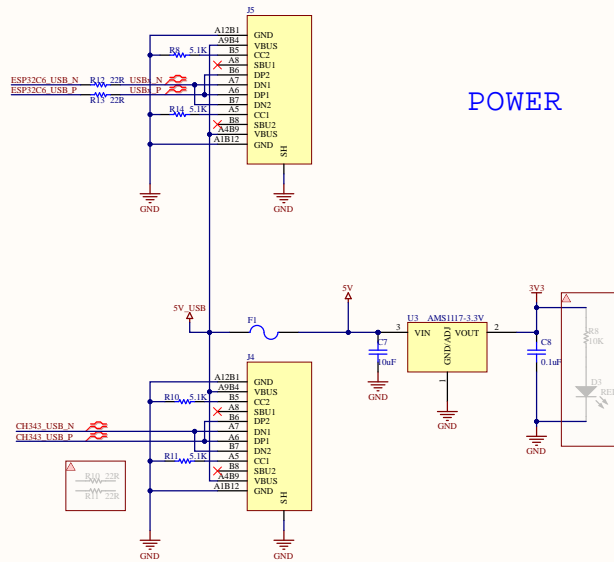
ESP32-C6-WROOM-1



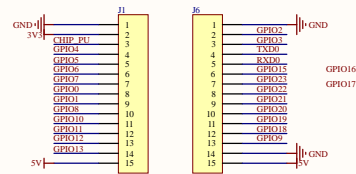
USB-to-Serial



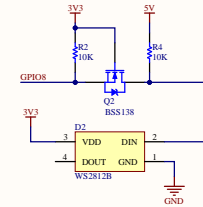
POWER



HEADER



RGB LED



Title		
Size	Number	Revision
A2		
Date:	4/25/2023	Sheet of
File:	F:\private_nanoESP32C6.SchDoc	Drawn By: