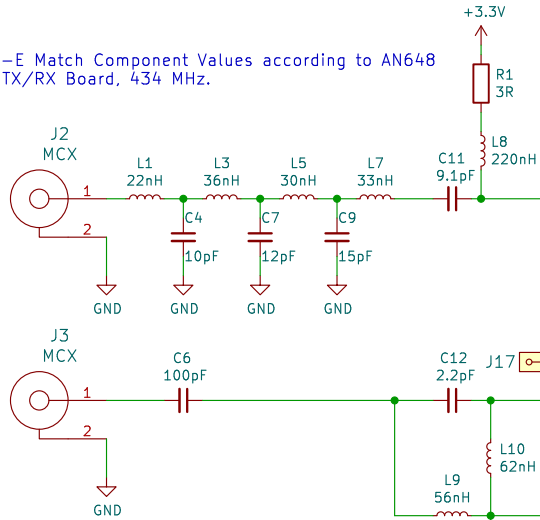
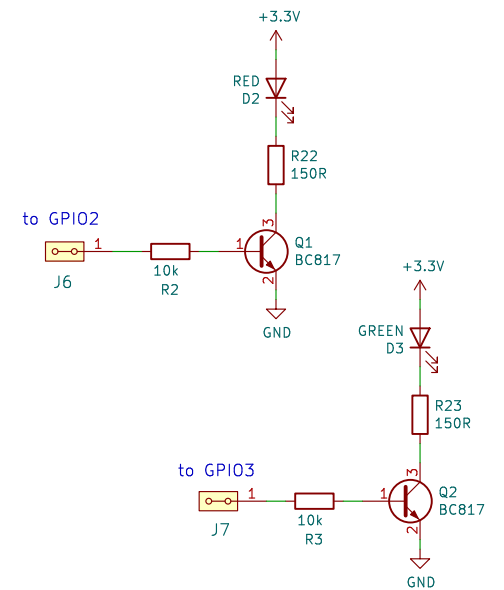
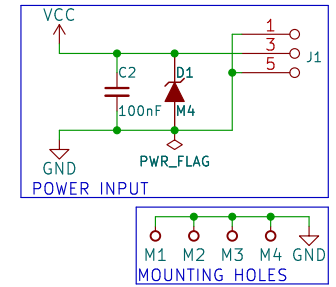
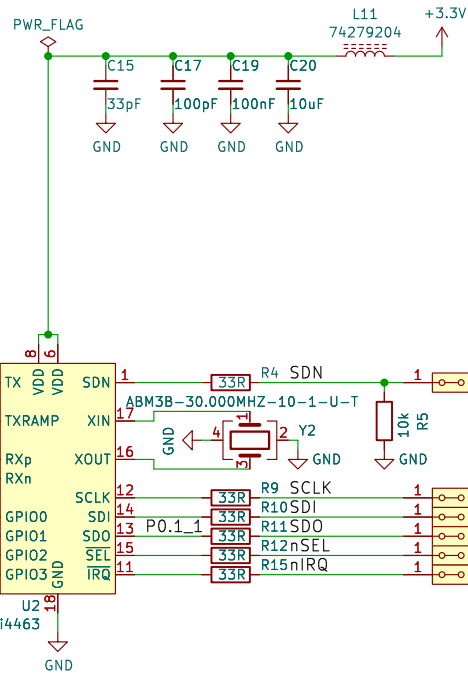
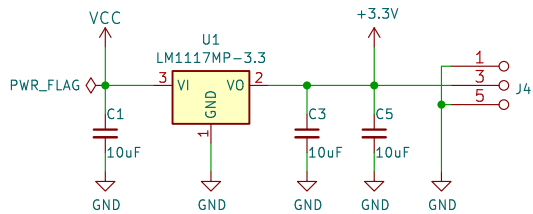
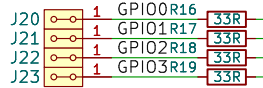


Class-E Match Component Values according to AN648
Split TX/RX Board, 434 MHz.



Component values according to AN643
Split TX/RX Board



Title: ISM03

Sub-GHz ISM radio transceiver
with SPI interface

Author: Mlab www.mlab.cz

Size: A4 Page: 1/1 Date: %F

