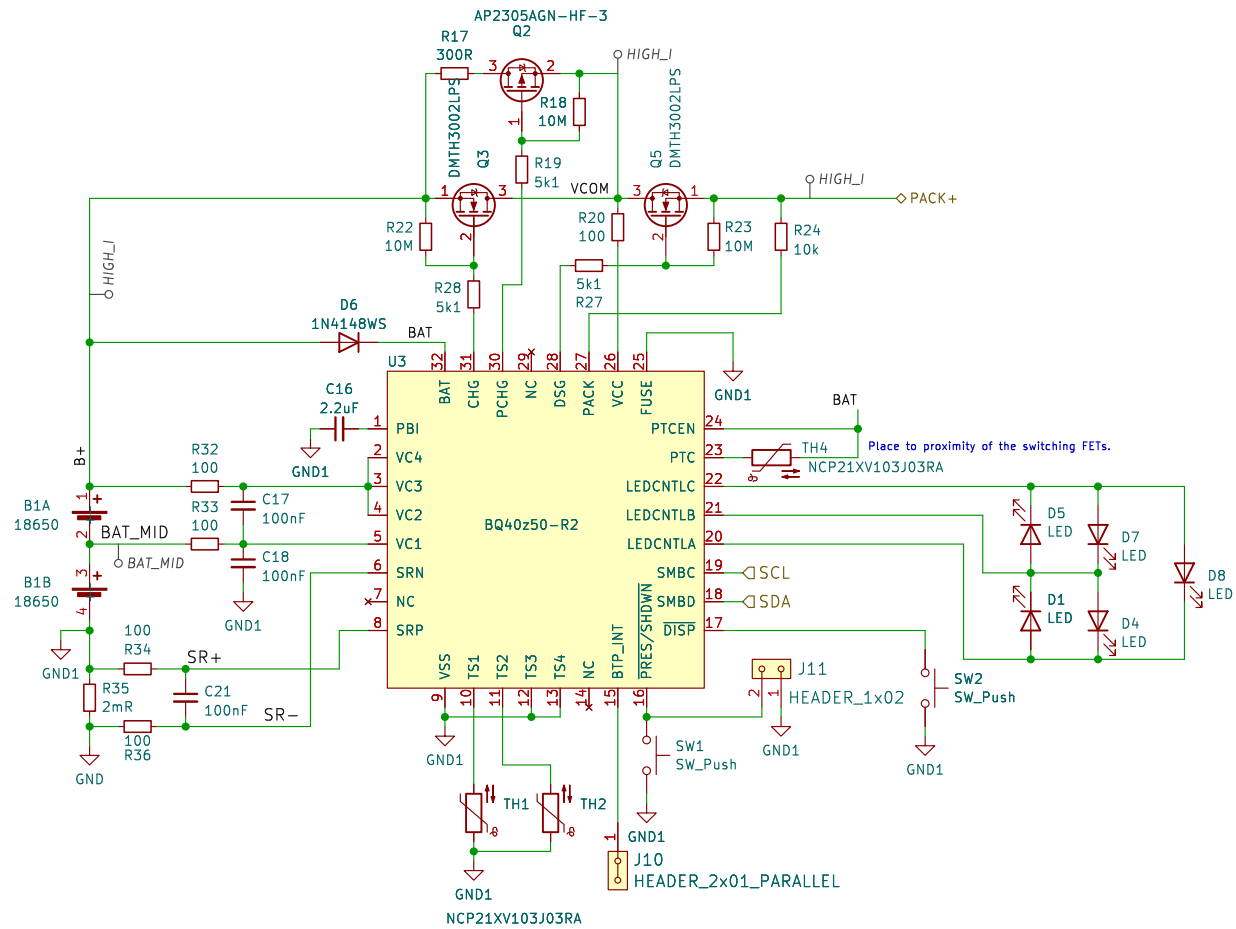


Title: LION2CELL01D

2-cell Li-ion Battery Management System

Author: jacho <jacho@mlab.cz>

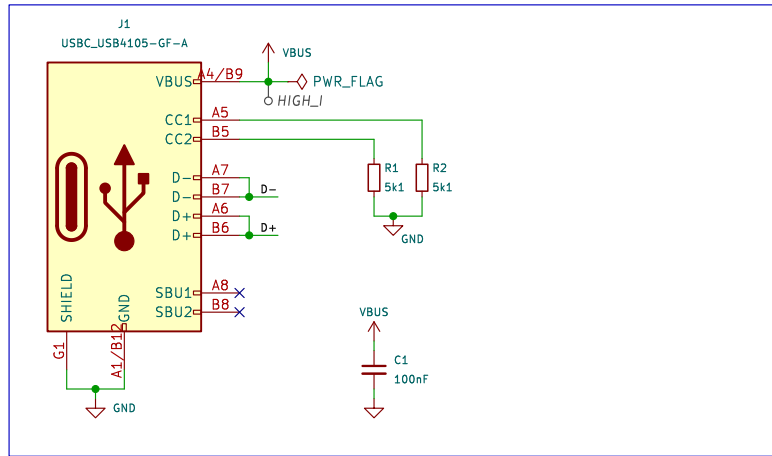
Size: A4 | Page: 1/4 | Date: 2021-06-02



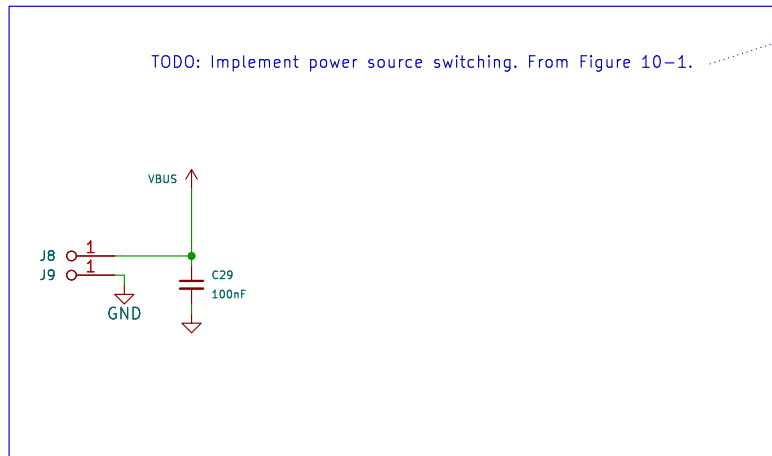
Title:		
Author:		
Size: A4	Page: 2/4	Date:



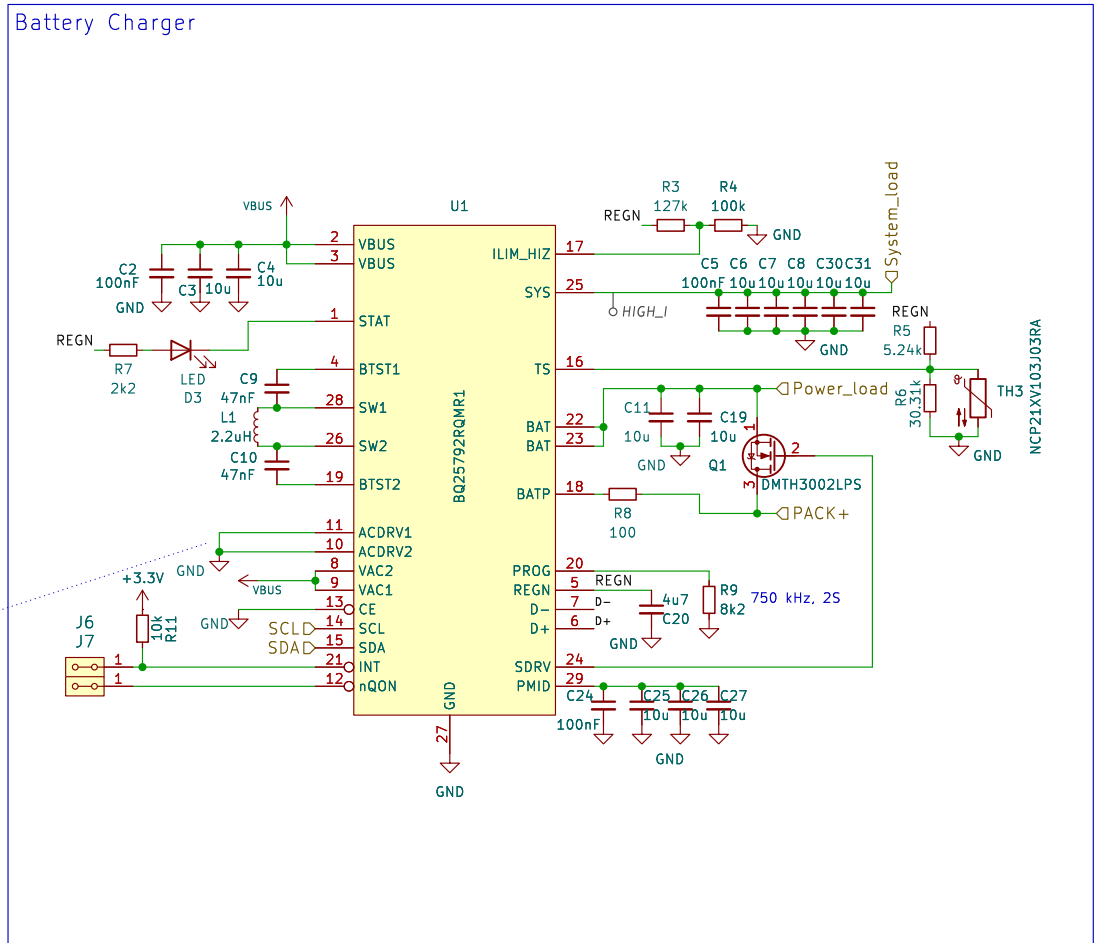
USB-C interface



High-power DC input



Battery Charger



Title:

Author:

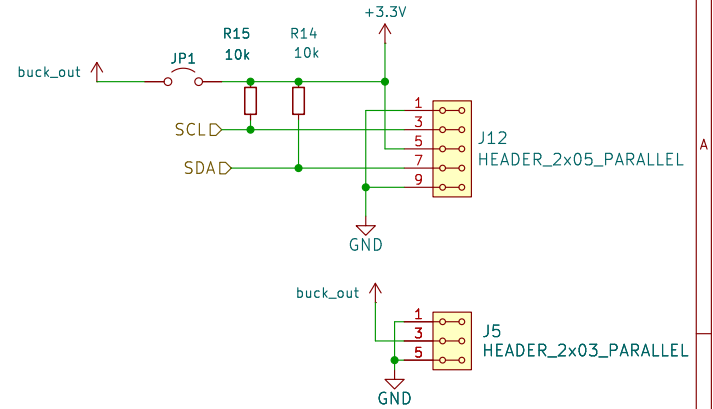
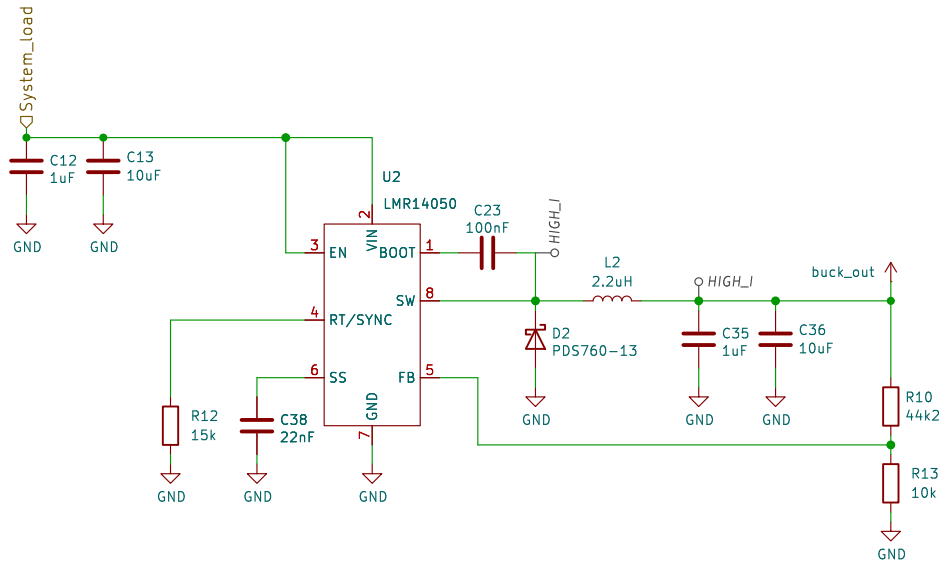
Size: A4

Page: 3/4

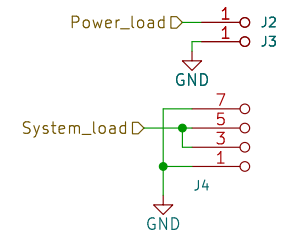
Date:



Buck convertor power source (LMR14050):
 =====
 Designed parameters:
 - Source voltage: 4 - 8.4V (Two liion cells)
 - Output voltage: 5V
 - Output current: 2A (IC maximal continuous current is 5A)
 - Output inductance: 2.2 uH, Kind: 33%,
 - Switching frequenci: 1.5 Mhz (15k8)
 - OutC (Vripp: 50mV): 2uF



POWER OUTPUT



RFBT (feedback top resistor values)
 =====
 Bottom value fixed 10k Ohm
 68 kOhm - 5.1V
 44 kOhm - 3.3V

Title:		
Author:		
Size: A4	Page: 4/4	Date:

