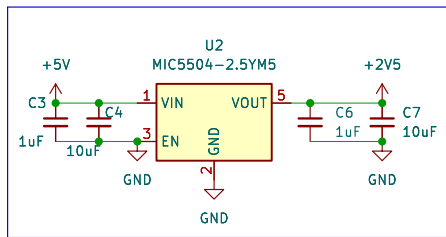
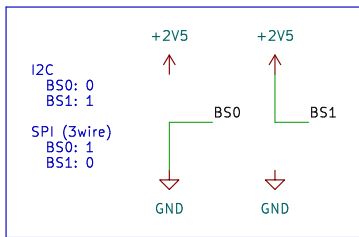
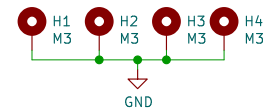
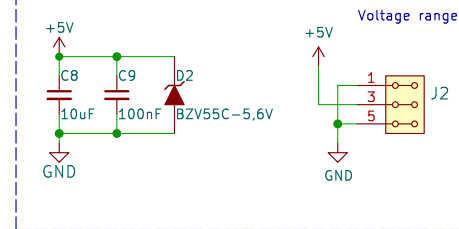


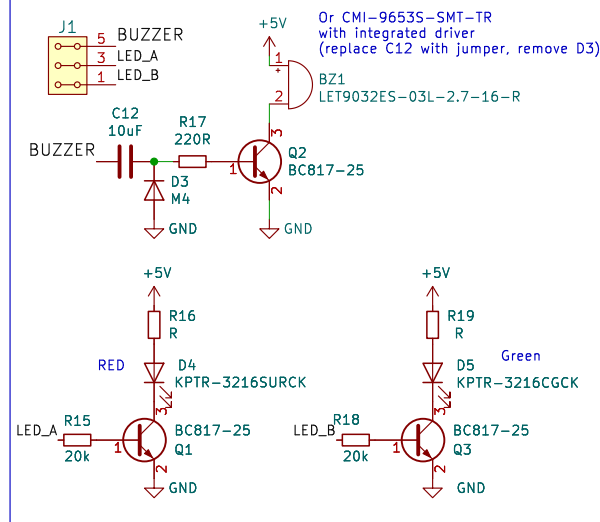
Bus select.



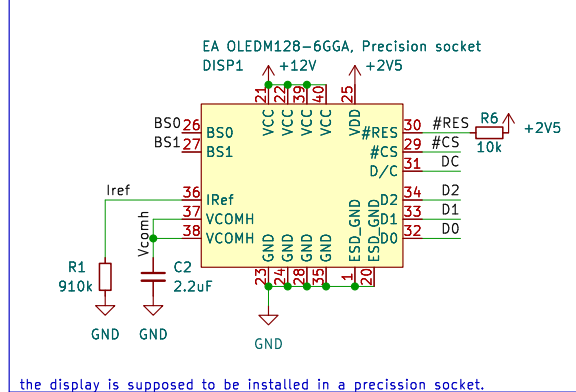
POWER INPUT



BUZZER & LEDs

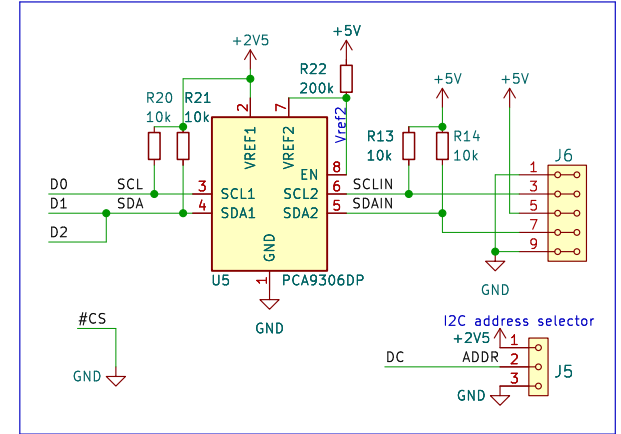


DISPLAY

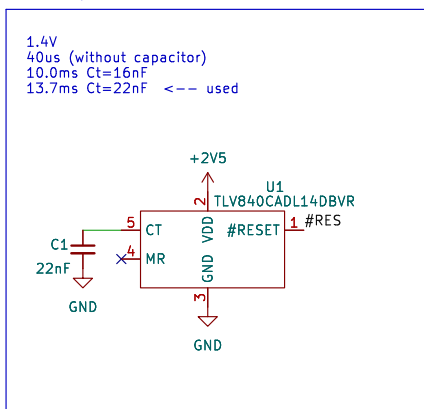


the display is supposed to be installed in a precision socket.

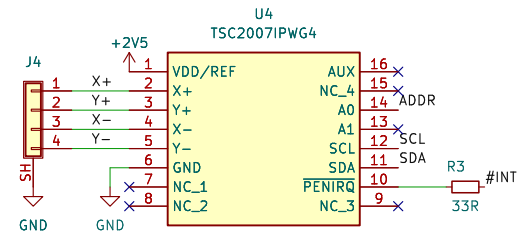
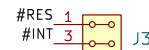
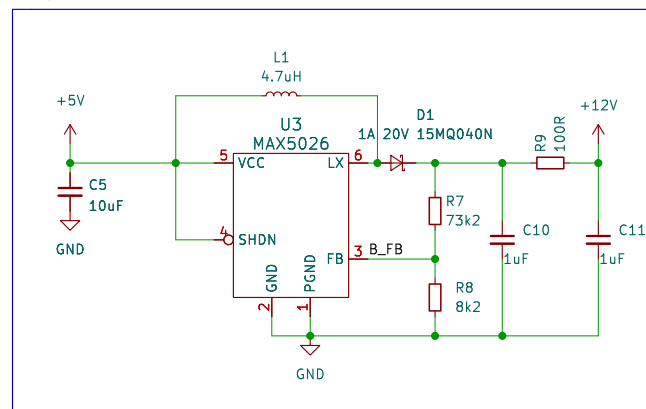
I2C



Power-up reset circuit



12V power source



Title: OLED01A

roman-dvorak

Author: MLAB

Size: A4

Page: 1/1

Date: 2022-05-11

