

Title: SOLARMINIBAT01A

Solar charged LTO Battery Managment System

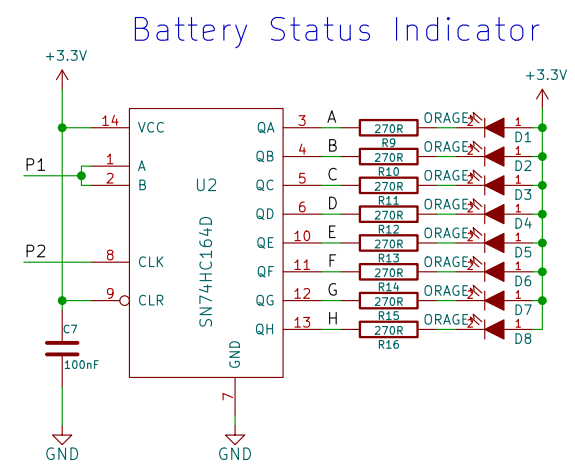
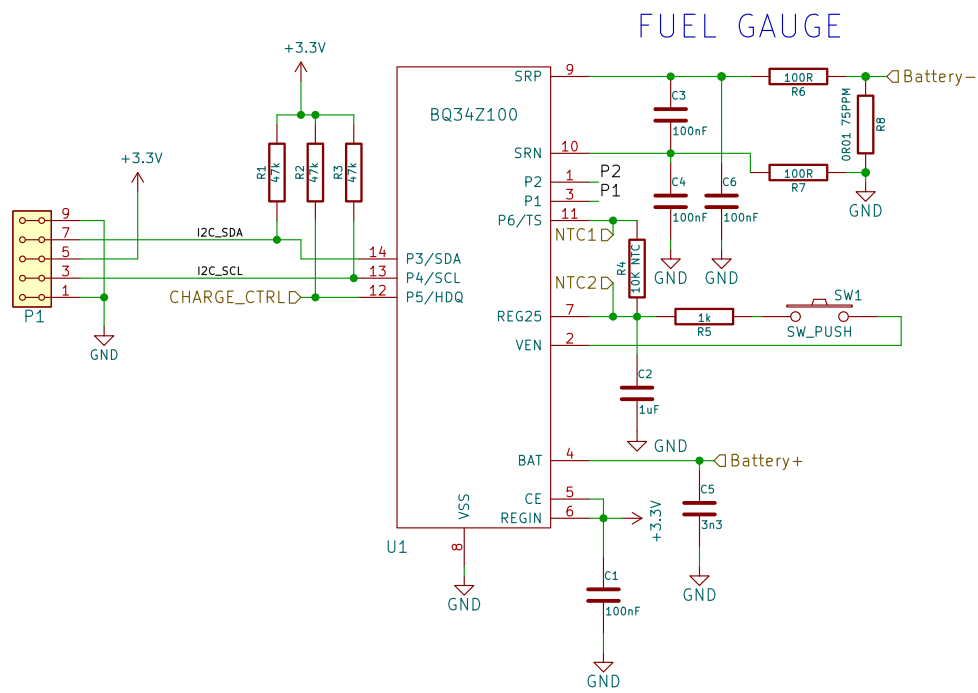
Author: MLAB.cz

Size: A4

Page: 1/5

Date: 2022-07-20





Title: SOLARMINIBAT01A

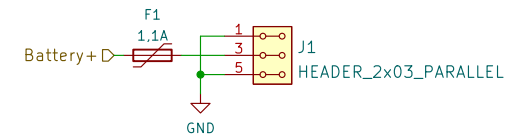
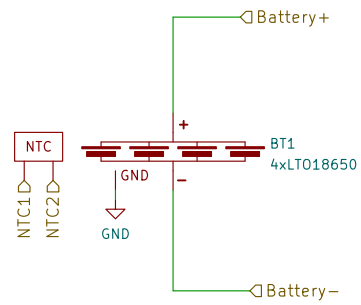
Solar charged LTO Battery Management System

Author: MLAB.cz

Size: A4 Page: 2/5 Date: 2022-07-20



BATTERY PACK



Title: SOLARMINIBAT01A

Solar charged LTO Battery Managment System

Author: MLAB.cz

Size: A4

Page: 3/5

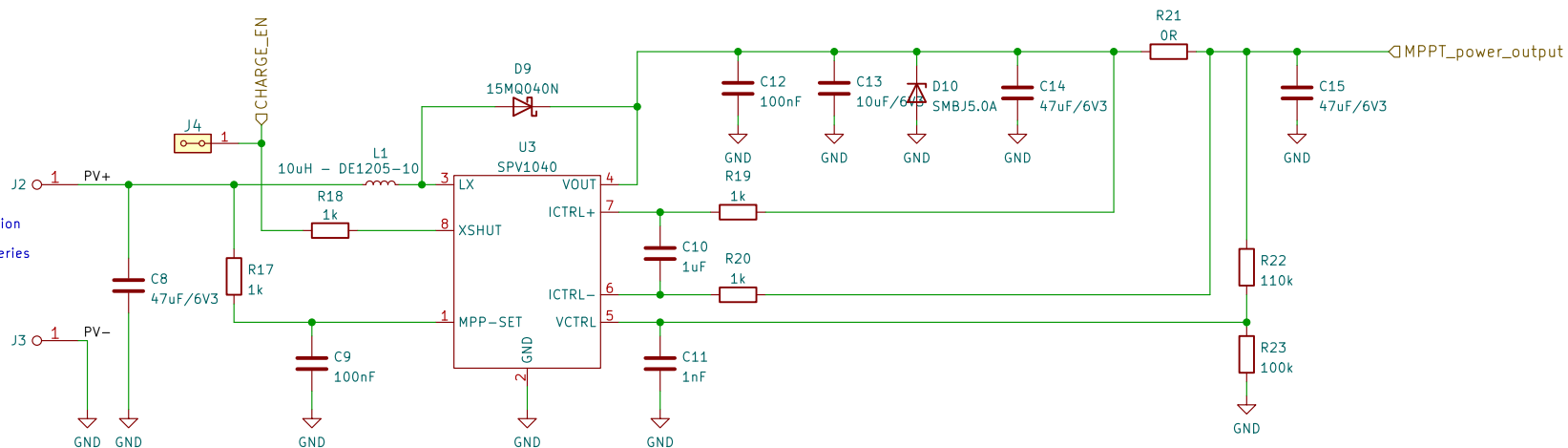
Date: 2022-07-20



Solar Cell Panel Connection

Photovoltaic pannel connection
Usually array of four cells in series with following parameters:

Isc = 2,3 A
Voc = 2,5 V
Impp = 2,1 A
Vmpp = 2,1 V
Pm = 4,4 Wp



Title: SOLARMINIBAT01A

Solar charged LTO Battery Management System

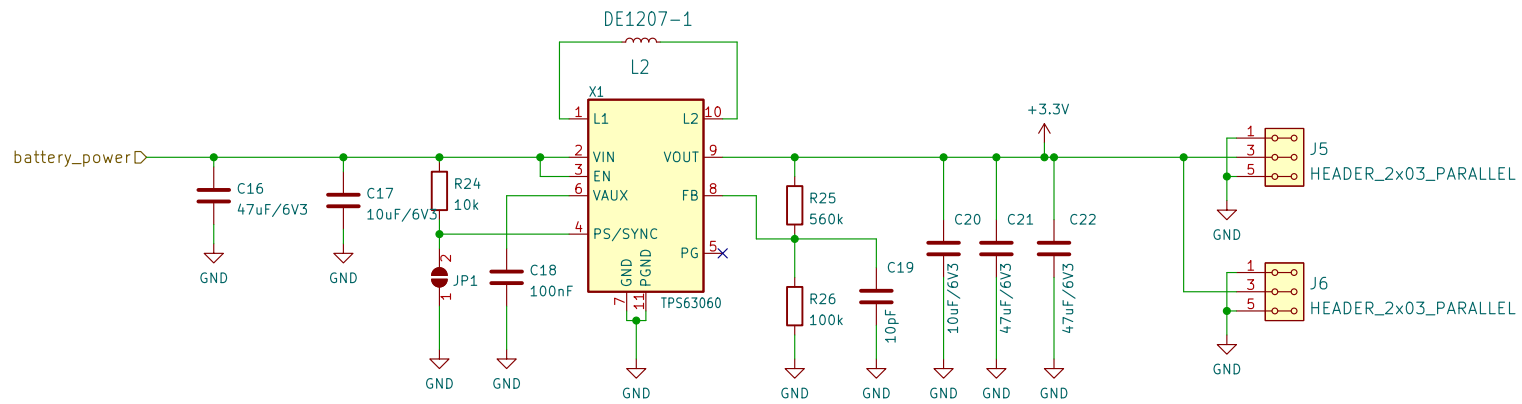
Author: MLAB.cz

Size: A4

Page: 4/5

Date: 2022-07-20





Title: SOLARMINIBAT01A

Solar charged LTO Battery Managment System

Author: MLAB.cz

Size: A4

Page: 5/5

Date: 2022-07-20

