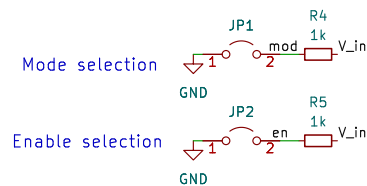
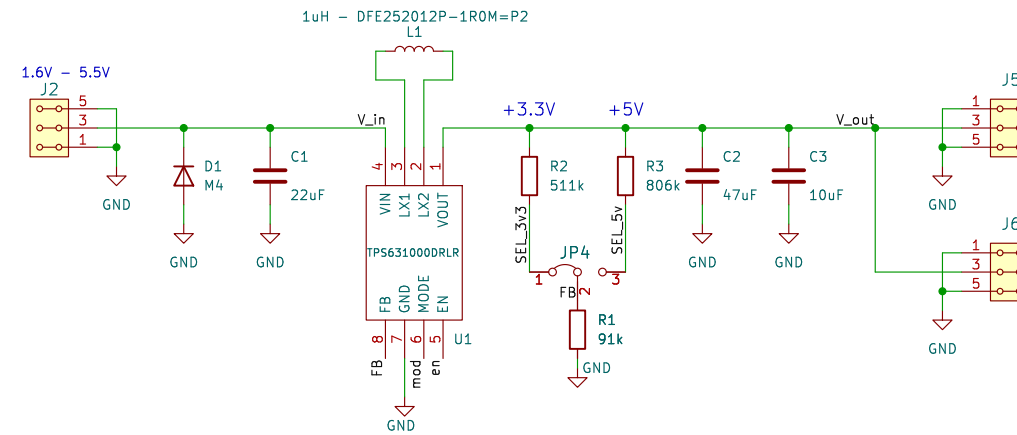
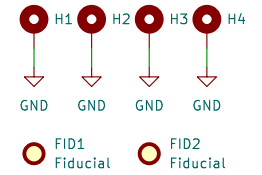


Mounting holes



Title:

Author:

Size: A4

Page: 1/1

Date:

