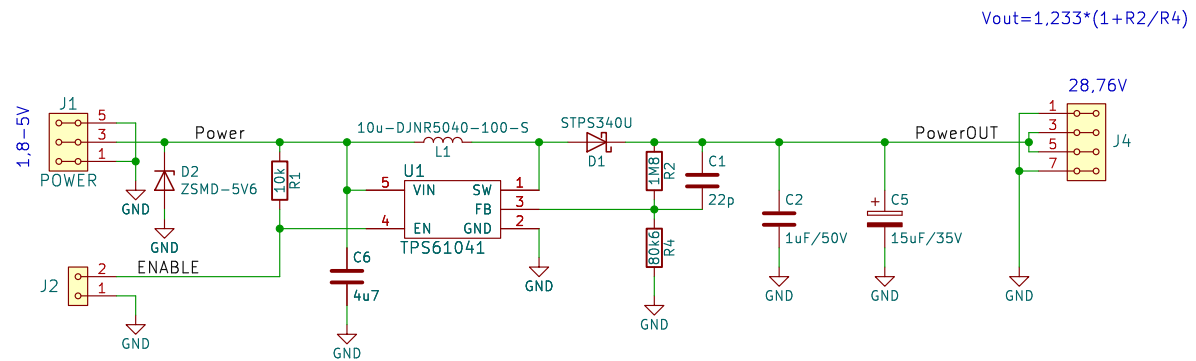


HOLE M1 HOLE M2 HOLE M3 HOLE M4



Title: STEPUPDC02A

Author:

Size: A4

Page: 1/1

Date:

