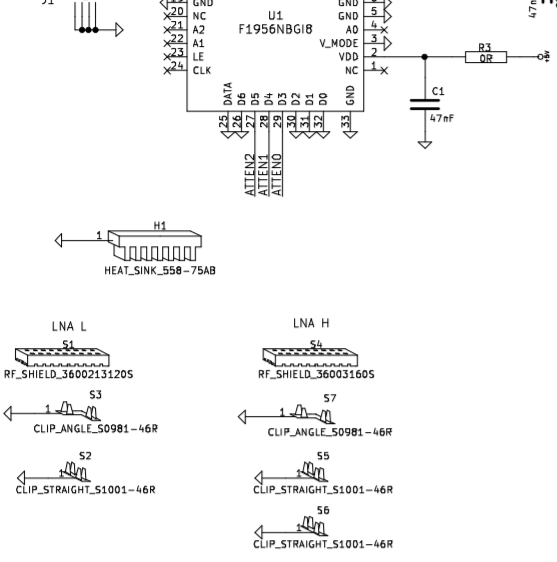
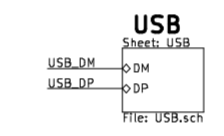
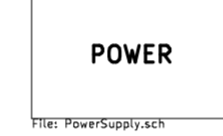
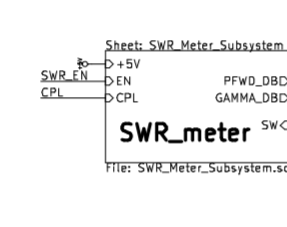
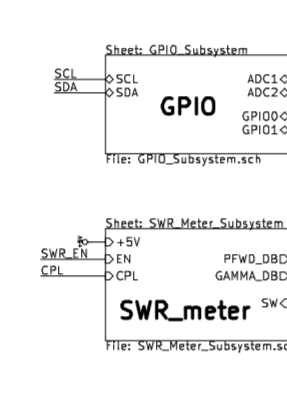
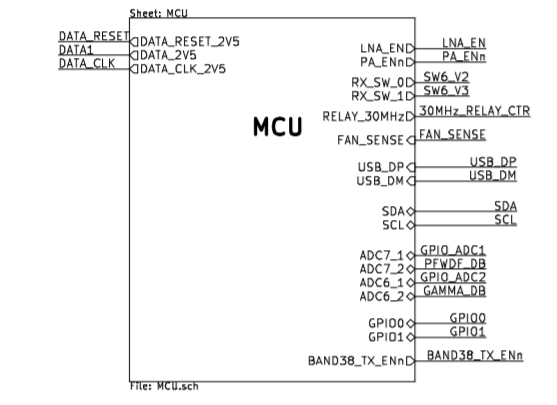
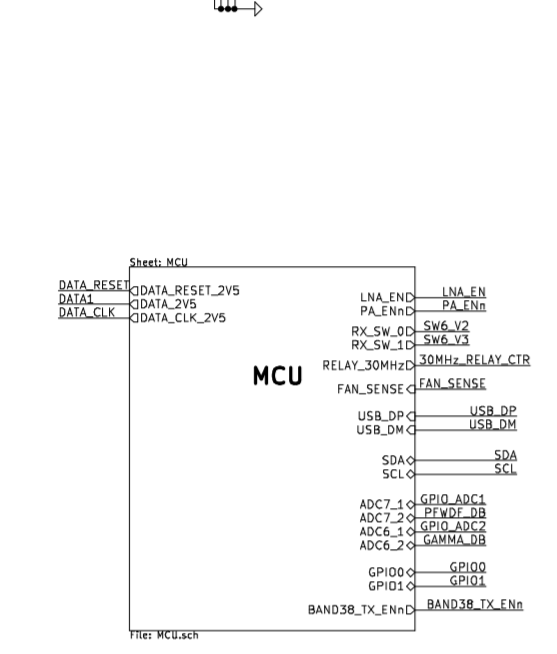


### 1-4000MHz RX\_OUT

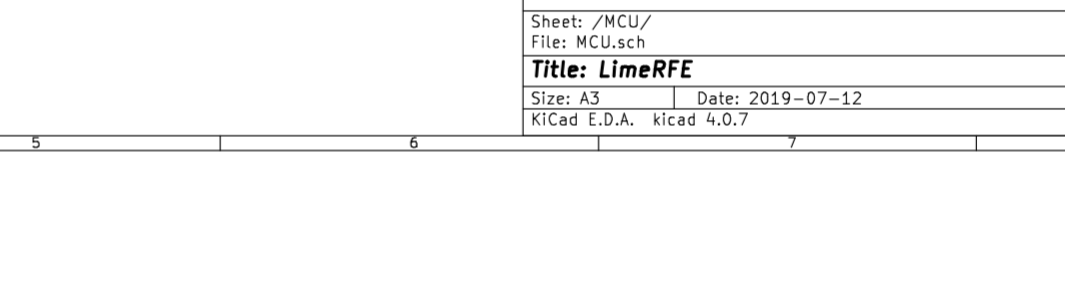
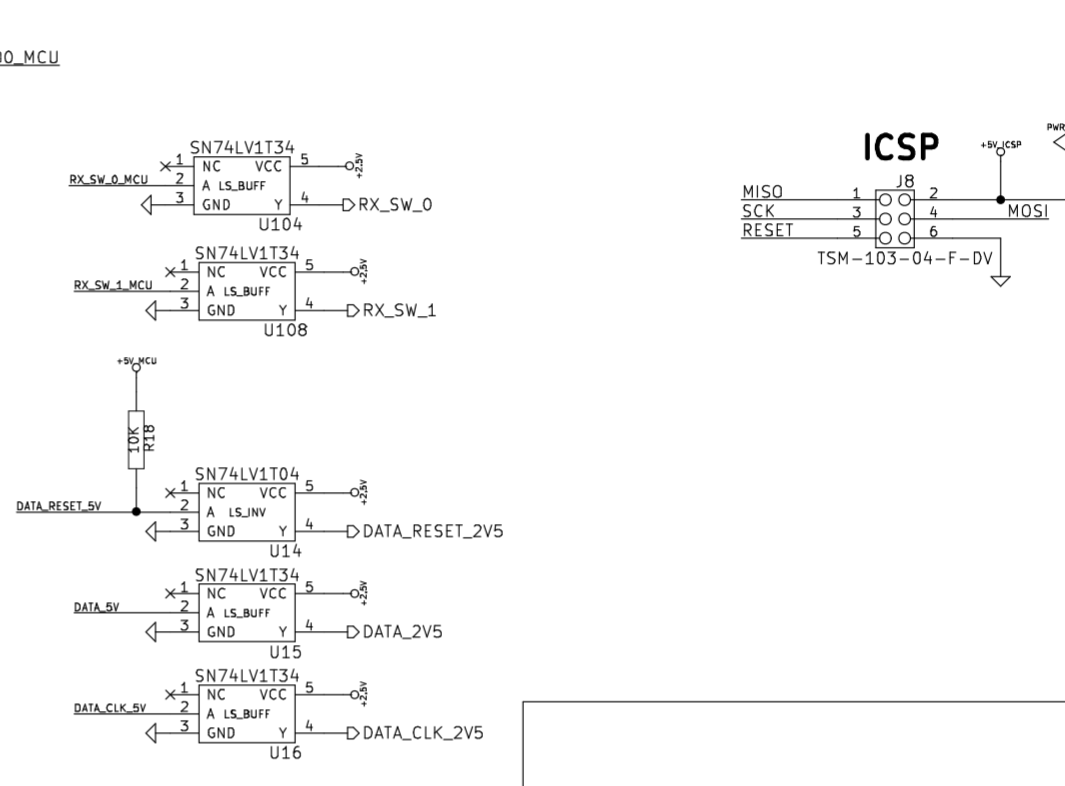
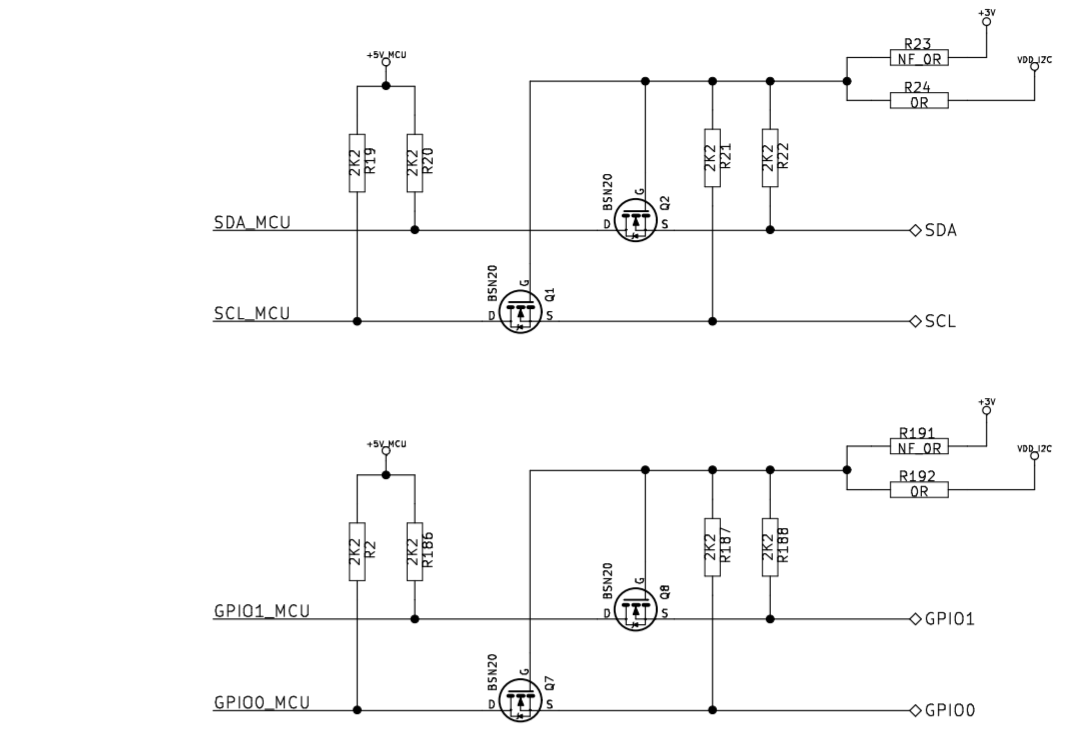
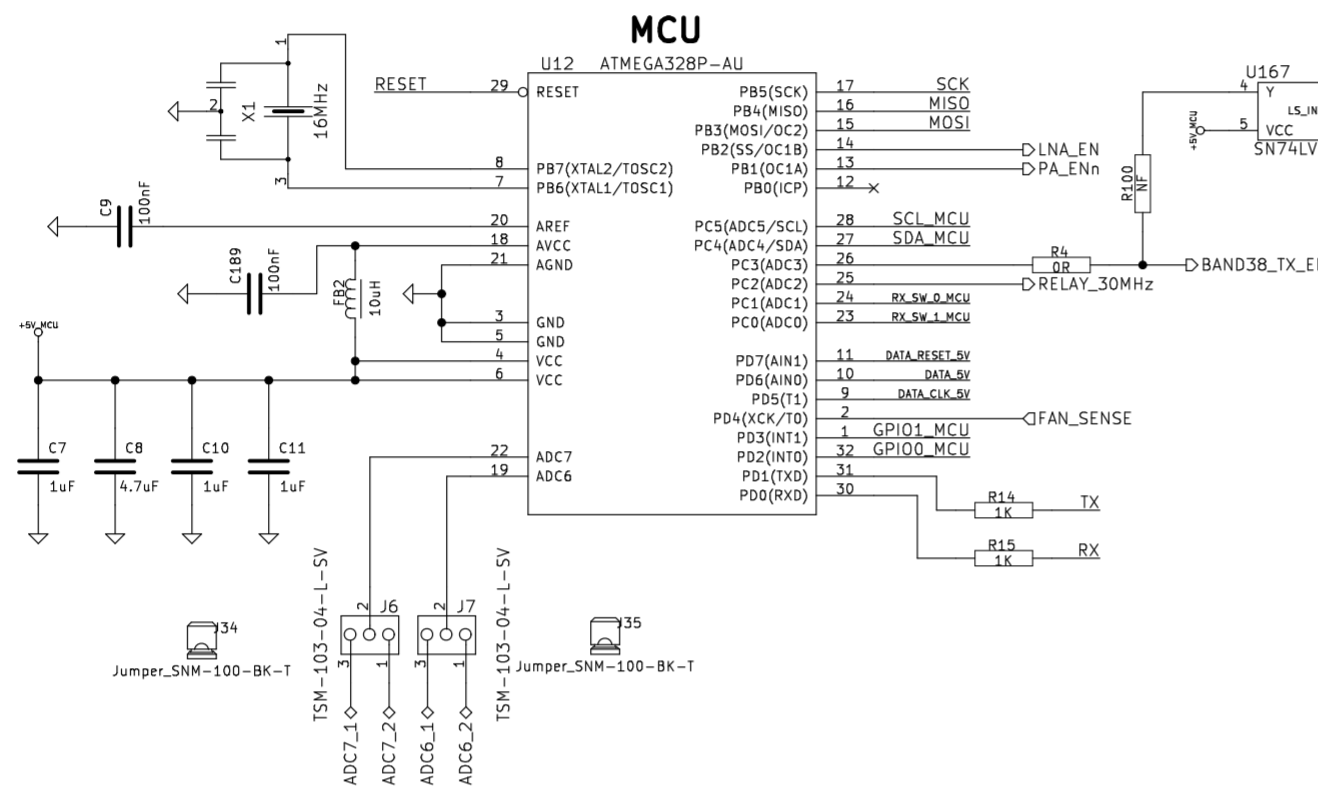
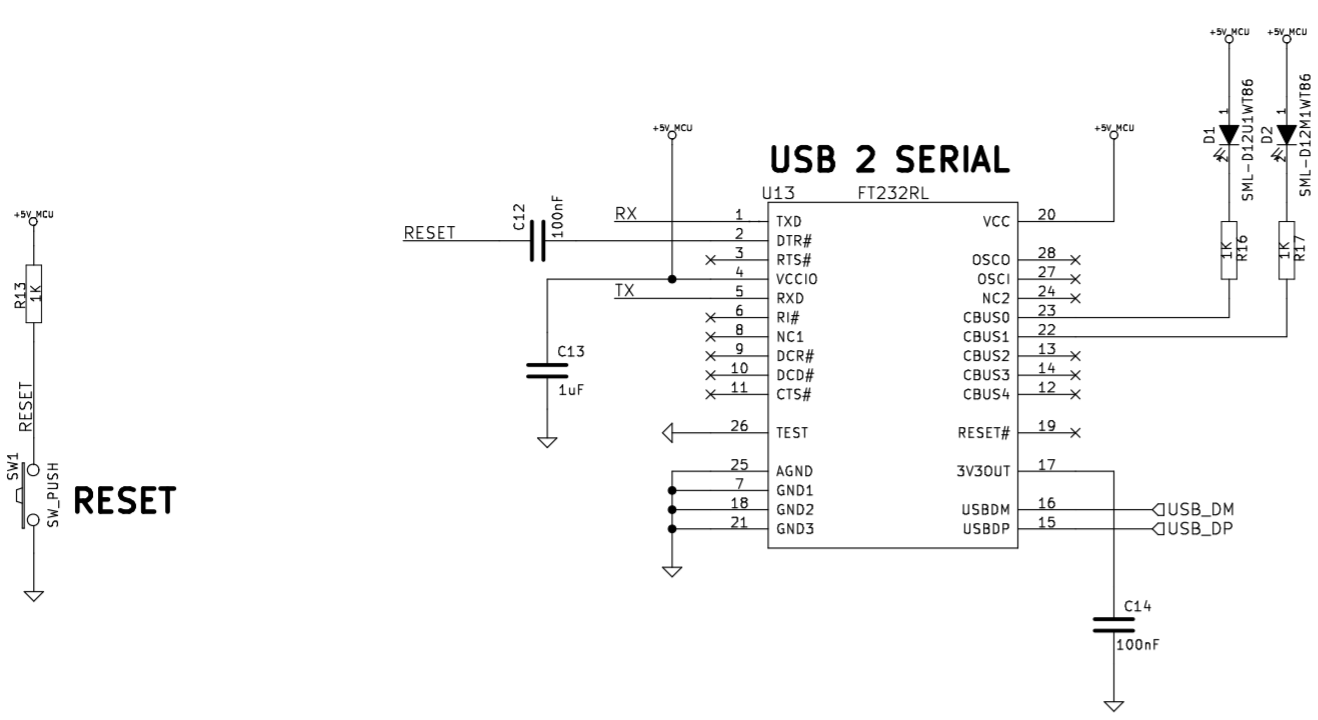


### TX\_IN 1-4000MHz

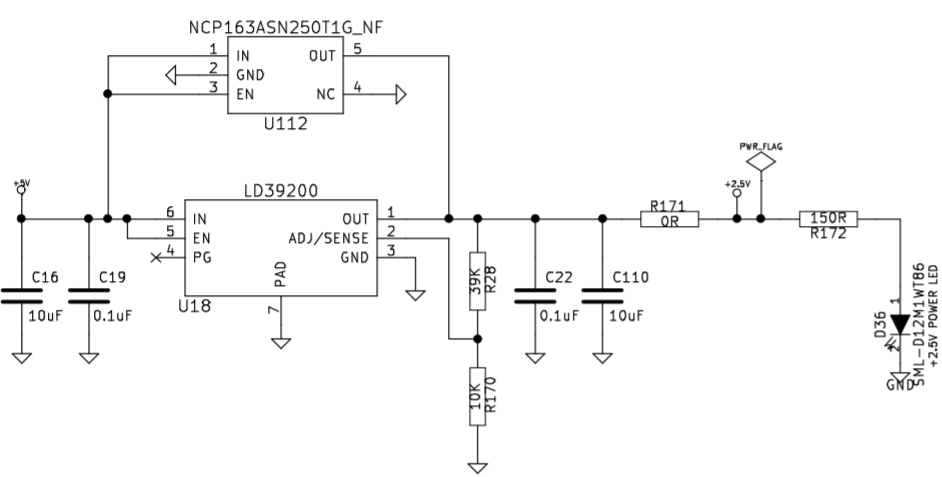
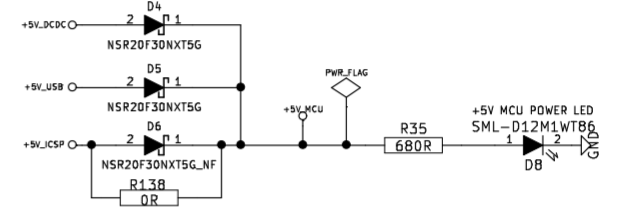
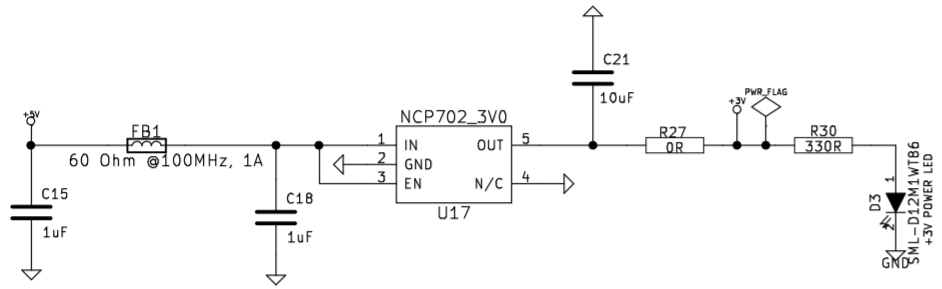
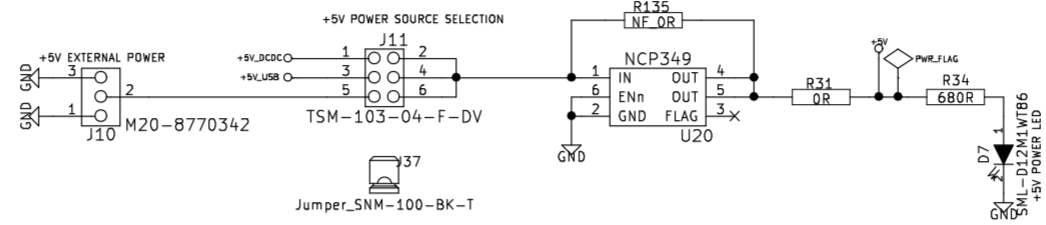
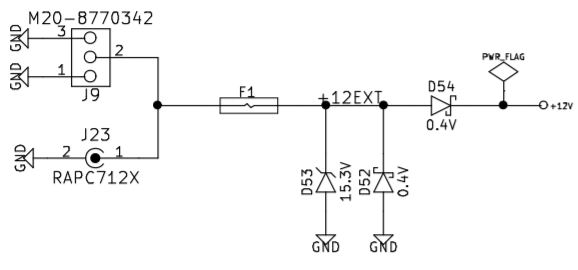
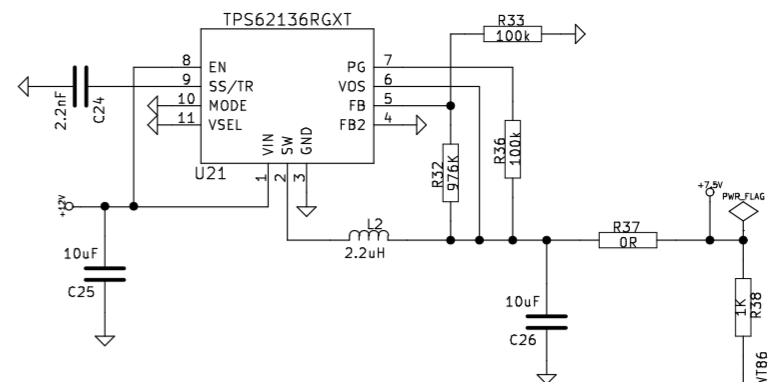
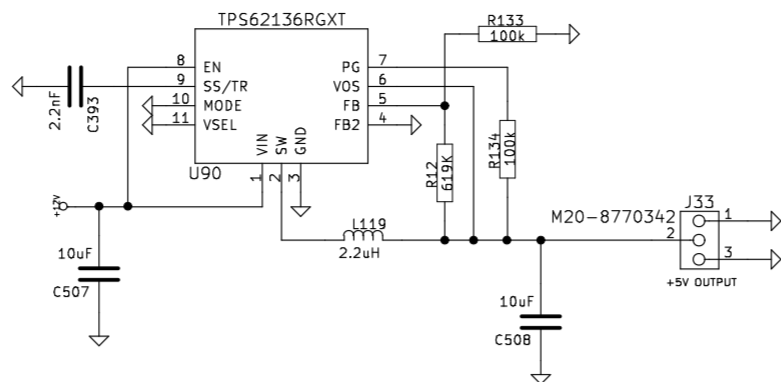
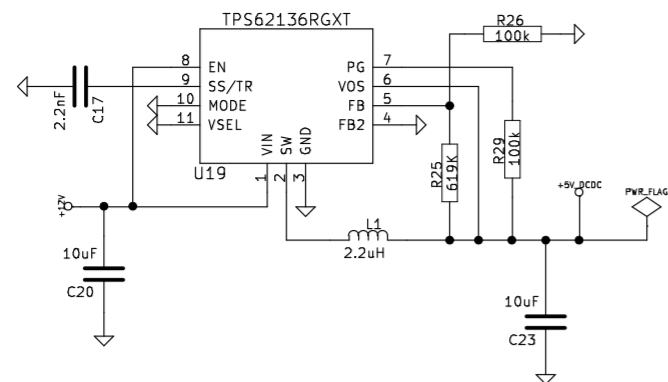


Lime Microsystems			
Sheet: 7	File: Lime_RFE.sch		
Title: LimeRFE			
Size: A2	Date: 2019-07-12	Rev: 1v0	
Kicad E.P.A. 11/04/12		16: 1/37	

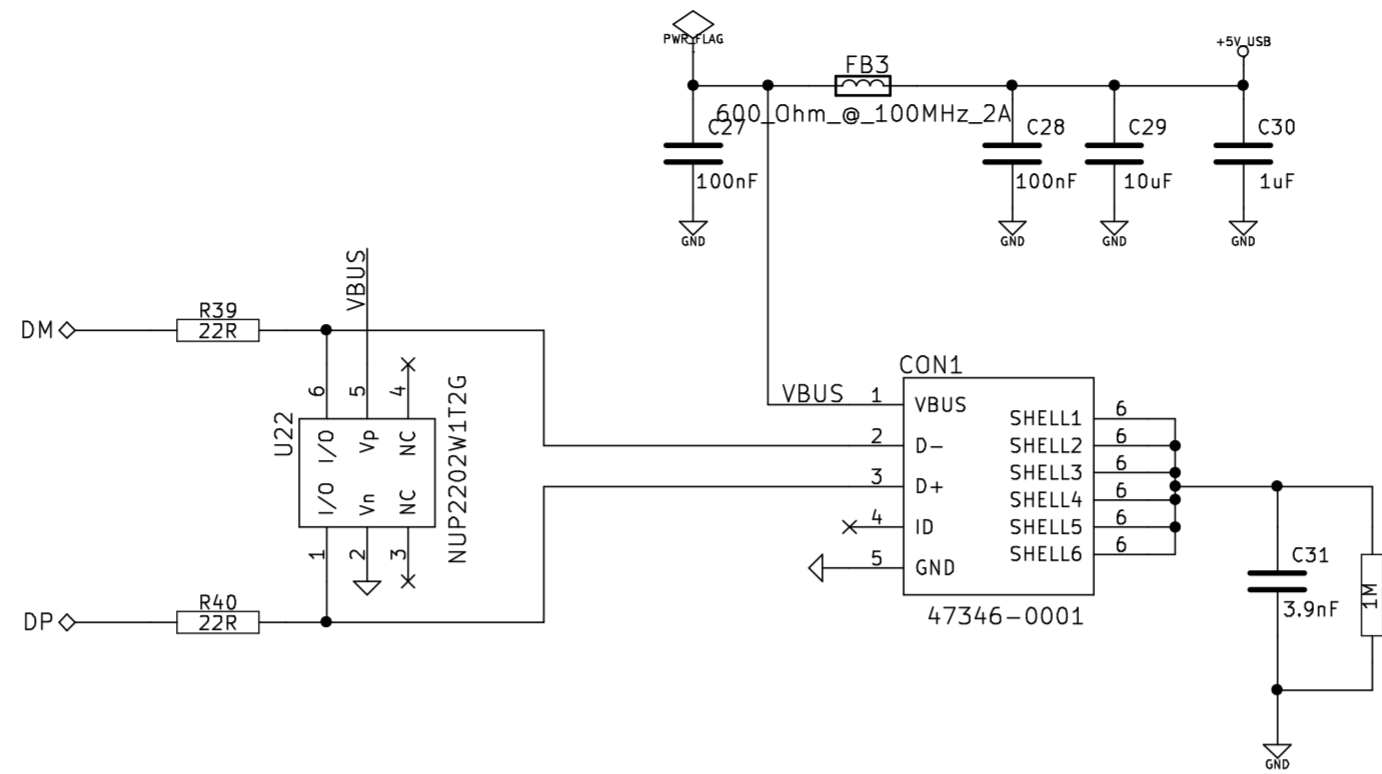
Sheet: TOP_CTRL			
DATA_RESET_2V5	DATA_RESET_2V5	DATA_OUT_2V5D	DATA2
DATA_CLK	DATA_IN_2V5D	DATA_CLK_2V5	
SW1_A	OSW5_A_3V	ATTEN0_2V5D	ATTEN0
SW1_B	OSW5_B_3V	ATTEN1_2V5D	ATTEN1
SW1_V2	OSW4_V2_2V5	ATTEN2_2V5D	ATTEN2
SW1_V3	OSW4_V3_2V5	SW1_A_3V0	SW1_A
SW1_V4	OSW4_V4_2V5	SW1_B_3V0	SW1_B
SW1_V5	OSW5_A_3V	SW1_V1_2V5D	SW1_V1
SW1_V6	OSW5_B_3V	SW1_V2_2V5D	SW1_V2
SW1_V7	OSW5_C_3V	SW1_V3_2V5D	SW1_V3
SW1_V8	OSW5_D_3V	SW1_V4_2V5D	SW1_V4
SW1_V9	OSW5_E_3V	SW1_V5_2V5D	SW1_V5
SW1_V10	OSW5_F_3V	SW1_V6_2V5D	SW1_V6
SW1_V11	OSW5_G_3V	SW1_V7_2V5D	SW1_V7
SW1_V12	OSW5_H_3V	SW1_V8_2V5D	SW1_V8
SW1_V13	OSW5_I_3V	SW1_V9_2V5D	SW1_V9
SW1_V14	OSW5_J_3V	SW1_V10_2V5D	SW1_V10
SW1_V15	OSW5_K_3V	SW1_V11_2V5D	SW1_V11
SW1_V16	OSW5_L_3V	SW1_V12_2V5D	SW1_V12
SW1_V17	OSW5_M_3V	SW1_V13_2V5D	SW1_V13
SW1_V18	OSW5_N_3V	SW1_V14_2V5D	SW1_V14
SW1_V19	OSW5_O_3V	SW1_V15_2V5D	SW1_V15
SW1_V20	OSW5_P_3V	SW1_V16_2V5D	SW1_V16
SW1_V21	OSW5_Q_3V	SW1_V17_2V5D	SW1_V17
SW1_V22	OSW5_R_3V	SW1_V18_2V5D	SW1_V18
SW1_V23	OSW5_S_3V	SW1_V19_2V5D	SW1_V19
SW1_V24	OSW5_T_3V	SW1_V20_2V5D	SW1_V20
SW1_V25	OSW5_U_3V	SW1_V21_2V5D	SW1_V21
SW1_V26	OSW5_V_3V	SW1_V22_2V5D	SW1_V22
SW1_V27	OSW5_W_3V	SW1_V23_2V5D	SW1_V23
SW1_V28	OSW5_X_3V	SW1_V24_2V5D	SW1_V24
SW1_V29	OSW5_Y_3V	SW1_V25_2V5D	SW1_V25
SW1_V30	OSW5_Z_3V	SW1_V26_2V5D	SW1_V26
SW1_V31	OSW5_AA_3V	SW1_V27_2V5D	SW1_V27
SW1_V32	OSW5_AB_3V	SW1_V28_2V5D	SW1_V28
SW1_V33	OSW5_AC_3V	SW1_V29_2V5D	SW1_V29
SW1_V34	OSW5_AD_3V	SW1_V30_2V5D	SW1_V30
SW1_V35	OSW5_AE_3V	SW1_V31_2V5D	SW1_V31
SW1_V36	OSW5_AF_3V	SW1_V32_2V5D	SW1_V32
SW1_V37	OSW5_AG_3V	SW1_V33_2V5D	SW1_V33
SW1_V38	OSW5_AH_3V	SW1_V34_2V5D	SW1_V34
SW1_V39	OSW5_AI_3V	SW1_V35_2V5D	SW1_V35
SW1_V40	OSW5_AJ_3V	SW1_V36_2V5D	SW1_V36
SW1_V41	OSW5_AK_3V	SW1_V37_2V5D	SW1_V37
SW1_V42	OSW5_AL_3V	SW1_V38_2V5D	SW1_V38
SW1_V43	OSW5_AM_3V	SW1_V39_2V5D	SW1_V39
SW1_V44	OSW5_AN_3V	SW1_V40_2V5D	SW1_V40
SW1_V45	OSW5_AO_3V	SW1_V41_2V5D	SW1_V41
SW1_V46	OSW5_AP_3V	SW1_V42_2V5D	SW1_V42
SW1_V47	OSW5_AQ_3V	SW1_V43_2V5D	SW1_V43
SW1_V48	OSW5_AR_3V	SW1_V44_2V5D	SW1_V44
SW1_V49	OSW5_AS_3V	SW1_V45_2V5D	SW1_V45
SW1_V50	OSW5_AT_3V	SW1_V46_2V5D	SW1_V46
SW1_V51	OSW5_AU_3V	SW1_V47_2V5D	SW1_V47
SW1_V52	OSW5_AV_3V	SW1_V48_2V5D	SW1_V48
SW1_V53	OSW5_AW_3V	SW1_V49_2V5D	SW1_V49
SW1_V54	OSW5_AX_3V	SW1_V50_2V5D	SW1_V50
SW1_V55	OSW5_AY_3V	SW1_V51_2V5D	SW1_V51
SW1_V56	OSW5_AZ_3V	SW1_V52_2V5D	SW1_V52
SW1_V57	OSW5_BA_3V	SW1_V53_2V5D	SW1_V53
SW1_V58	OSW5_BB_3V	SW1_V54_2V5D	SW1_V54
SW1_V59	OSW5_BC_3V	SW1_V55_2V5D	SW1_V55
SW1_V60	OSW5_BD_3V	SW1_V56_2V5D	SW1_V56
SW1_V61	OSW5_BE_3V	SW1_V57_2V5D	SW1_V57
SW1_V62	OSW5_BF_3V	SW1_V58_2V5D	SW1_V58
SW1_V63	OSW5_BG_3V	SW1_V59_2V5D	SW1_V59
SW1_V64	OSW5_BH_3V	SW1_V60_2V5D	SW1_V60
SW1_V65	OSW5_BI_3V	SW1_V61_2V5D	SW1_V61
SW1_V66	OSW5_BJ_3V	SW1_V62_2V5D	SW1_V62
SW1_V67	OSW5_BK_3V	SW1_V63_2V5D	SW1_V63
SW1_V68	OSW5_BL_3V	SW1_V64_2V5D	SW1_V64
SW1_V69	OSW5_BM_3V	SW1_V65_2V5D	SW1_V65
SW1_V70	OSW5_BN_3V	SW1_V66_2V5D	SW1_V66
SW1_V71	OSW5_BO_3V	SW1_V67_2V5D	SW1_V67
SW1_V72	OSW5_BP_3V	SW1_V68_2V5D	SW1_V68
SW1_V73	OSW5_BQ_3V	SW1_V69_2V5D	SW1_V69
SW1_V74	OSW5_BR_3V	SW1_V70_2V5D	SW1_V70
SW1_V75	OSW5_BS_3V	SW1_V71_2V5D	SW1_V71
SW1_V76	OSW5_BT_3V	SW1_V72_2V5D	SW1_V72
SW1_V77	OSW5_BU_3V	SW1_V73_2V5D	SW1_V73
SW1_V78	OSW5_BV_3V	SW1_V74_2V5D	SW1_V74
SW1_V79	OSW5_BW_3V	SW1_V75_2V5D	SW1_V75
SW1_V80	OSW5_BX_3V	SW1_V76_2V5D	SW1_V76
SW1_V81	OSW5_BY_3V	SW1_V77_2V5D	SW1_V77
SW1_V82	OSW5_BZ_3V	SW1_V78_2V5D	SW1_V78
SW1_V83	OSW5_CA_3V	SW1_V79_2V5D	SW1_V79
SW1_V84	OSW5_CB_3V	SW1_V80_2V5D	SW1_V80
SW1_V85	OSW5_CC_3V	SW1_V81_2V5D	SW1_V81
SW1_V86	OSW5_CD_3V	SW1_V82_2V5D	SW1_V82
SW1_V87	OSW5_CE_3V	SW1_V83_2V5D	SW1_V83
SW1_V88	OSW5_CD_3V	SW1_V84_2V5D	SW1_V84
SW1_V89	OSW5_CE_3V	SW1_V85_2V5D	SW1_V85
SW1_V90	OSW5_CF_3V	SW1_V86_2V5D	SW1_V86
SW1_V91	OSW5_CG_3V	SW1_V87_2V5D	SW1_V87
SW1_V92	OSW5_CH_3V	SW1_V88_2V5D	SW1_V88
SW1_V93	OSW5_CI_3V	SW1_V89_2V5D	SW1_V89
SW1_V94	OSW5_CJ_3V	SW1_V90_2V5D	SW1_V90
SW1_V95	OSW5_CK_3V	SW1_V91_2V5D	SW1_V91
SW1_V96	OSW5_CL_3V	SW1_V92_2V5D	SW1_V92
SW1_V97	OSW5_CM_3V	SW1_V93_2V5D	SW1_V93
SW1_V98	OSW5_CN_3V	SW1_V94_2V5D	SW1_V94
SW1_V99	OSW5_CO_3V	SW1_V95_2V5D	SW1_V95
SW1_V100	OSW5_CP_3V	SW1_V96_2V5D	SW1_V96
SW1_V101	OSW5_CQ_3V	SW1_V97_2V5D	SW1_V97
SW1_V102	OSW5_CR_3V	SW1_V98_2V5D	SW1_V98
SW1_V103	OSW5_CS_3V	SW1_V99_2V5D	SW1_V99
SW1_V104	OSW5_CT_3V	SW1_V100_2V5D	SW1_V100
SW1_V105	OSW5_CU_3V	SW1_V101_2V5D	SW1_V101
SW1_V106	OSW5_CV_3V	SW1_V102_2V5D	SW1_V102
SW1_V107	OSW5_CW_3V	SW1_V103_2V5D	SW1_V103
SW1_V108	OSW5_CX_3V	SW1_V104_2V5D	SW1_V104
SW1_V109	OSW5_CY_3V	SW1_V105_2V5D	SW1_V105
SW1_V110	OSW5_CZ_3V	SW1_V106_2V5D	SW1_V106
SW1_V111	OSW5_DA_3V	SW1_V107_2V5D	SW1_V107
SW1_V112	OSW5_DB_3V	SW1_V108_2V5D	SW1_V108
SW1_V113	OSW5_DC_3V	SW1_V109_2V5D	SW1_V109
SW1_V114	OSW5_DD_3V	SW1_V110_2V5D	SW1_V110
SW1_V115	OSW5_DE_3V	SW1_V111_2V5D	SW1_V111
SW1_V116	OSW5_DD_3V	SW1_V112_2V5D	SW1_V112
SW1_V117	OSW5_DE_3V	SW1_V113_2V5D	SW1_V113
SW1_V118	OSW5_DF_3V	SW1_V114_2V5D	SW1_V114
SW1_V119	OSW5_DG_3V	SW1_V115_2V5D	SW1_V115
SW1_V120	OSW5_DH_3V	SW1_V116_2V5D	SW1_V116
SW1_V121	OSW5_DI_3V	SW1_V117_2V5D	SW1_V117
SW1_V122	OSW5_DJ_3V	SW1_V118_2V5D	SW1_V118
SW1_V123	OSW5_DK_3V	SW1_V119_2V5D	SW1_V119
SW1_V124	OSW5_DL_3V	SW1_V120_2V5D	SW1_V120
SW1_V125	OSW5_DM_3V	SW1_V121_2V5D	SW1_V121
SW1_V126	OSW5_DN_3V	SW1_V122_2V5D	SW1_V122
SW1_V127	OSW5_DO_3V	SW1_V123_2V5D	SW1_V123
SW1_V128	OSW5_DP_3V	SW1_V124_2V5D	SW1_V124
SW1_V129	OSW5_DQ_3V	SW1_V125_2V5D	SW1_V125
SW1_V130	OSW5_DR_3V	SW1_V126_2V5D	SW1_V126
SW1_V131	OSW5_DS_3V	SW1_V127_2V5D	SW1_V127
SW1_V132	OSW5_DT_3V	SW1_V128_2V5D	SW1_V128
SW1_V133	OSW5_DU_3V	SW1_V129_2V5D	SW1_V129
SW1_V134	OSW5_DV_3V	SW1_V130_2V5D	SW1_V130
SW1_V135	OSW5_DW_3V	SW1_V131_2V5D	SW1_V131
SW1_V136	OSW5_DX_3V	SW1_V132_2V5D	SW1_V132
SW1_V137	OSW5_DY_3V	SW1_V133_2V5D	SW1_V133
SW1_V138	OSW5_DZ_3V	SW1_V134_2V5D	SW1_V134
SW1_V139	OSW5_EA_3V	SW1_V135_2V5D	SW1_V135
SW1_V140	OSW5_EB_3V	SW1_V136_2V5D	SW1_V136
SW1_V141	OSW5_EC_3V	SW1_V137_2V5D	SW1_V137
SW1_V142	OSW5_ED_3V	SW1_V138_2V5D	SW1_V138
SW1_V143	OSW5_ED_3V	SW1_V139_2V5D	SW1_V139
SW1_V144	OSW5_EE_3V	SW1_V140_2V5D	SW1_V140
SW1_V145	OSW5_EF_3V	SW1_V141_2V5D	SW1_V141
SW1_V146	OSW5_EG_3V	SW1_V142_2V5D	SW1_V142
SW1_V147	OSW5_EH_3V	SW1_V143_2V5D	SW1_V143
SW1_V148	OSW5_EI_3V	SW1_V144_2V5D	SW1_V144
SW1_V149	OSW5_EJ_3V	SW1_V145_2V5D	SW1_V145
SW1_V150	OSW5_EK_3V	SW1_V146_2V5D	SW1_V146
SW1_V151	OSW5_EL_3V	SW1_V147_2V5D	SW1_V147
SW1_V152	OSW5_EM_3V	SW1_V148_2V5D	SW1_V148
SW1_V153	OSW5_EN_3V	SW1_V149_2V5D	SW1_V149
SW1_V154	OSW5_EO_3V	SW1_V150_2V5D	SW1_V150
SW1_V155	OSW5_EP_3V	SW1_V151_2V5D	SW1_V151
SW1_V156	OSW5_EQ_3V	SW1_V152_2V5D	SW1_V152
SW1_V157	OSW5_ER_3V	SW1_V153_2V5D	SW1_V153
SW1_V158	OSW5_ES_3V	SW1_V154_2V5D	SW1_V154
SW1_V159	OSW5_ET_3V	SW1_V155_2V5D	SW1_V155
SW1_V160	OSW5_EU_3V	SW1_V156_2V5D	SW1_V156
SW1_V161	OSW5_EV_3V	SW1_V157_2V5D	SW1_V157
SW1_V162	OSW5_EW_3V	SW1_V158_2V5D	SW1_V158
SW1_V163	OSW5_EX_3V	SW1_V159_2V5D	SW1_V159
SW1_V164	OSW5_EY_3V	SW1_V160_2V5D	SW1_V160
SW1_V165	OSW5_EZ_3V	SW1_V161_2V5D	SW1_V161
SW1_V166	OSW5_FA_3V	SW1_V162_2V5D	SW1_V162
SW1_V167	OSW5_FB_3V	SW1_V163_2V5D	SW1_V163
SW1_V168	OSW5_FC_3V	SW1_V164_2V5D	SW1_V164
SW1_V169	OSW5_FD_3V	SW1_V165_2V5D	SW1_V165
SW1_V170	OSW5_FD_3V	SW1_V166_2V5D	SW1_V166
SW1_V171	OSW5_FE_3V	SW1_V167_2V5D	SW1_V167
SW1_V172	OSW5_FF_3V	SW1_V168_2V5D	SW1_V168
SW1_V173	OSW5_FF_3V	SW1_V169_2V5D	SW1_V169
SW1_V174	OSW5_FG_3V	SW1_V170_2V5D	SW1_V170
SW1_V175	OSW5_FH_3V	SW1_V171_2V5D	SW1_V171
SW1_V176	OSW5_FI_3V	SW1_V172_2V5D	SW1_V172
SW1_V177	OSW5_FJ_3V	SW1_V173_2V5D	SW1_V173
SW1_V178	OSW5_FK_3V	SW1_V174_2V5D	SW1_V174
SW1_V179	OSW5_FL_3V	SW1_V175_2V5D	SW1_V175
SW1_V180	OSW5_FM_3V	SW1_V176_2V5D	SW1_V176
SW1_V181	OSW5_FN_3V	SW1_V177_2V5D	SW1_V177
SW1_V182	OSW5_FO_3V	SW1_V178_2V5D	SW1_V178
SW1_V183	OSW5_FP_3V	SW1_V179_2V5D	SW1_V179
SW1_V184	OSW5_FQ_3V	SW1_V180_2V5D	SW1_V180
SW1_V185	OSW5_FR_3V	SW1_V181_2V5D	SW1_V181
SW1_V186	OSW5_FS_3V	SW1_V182_2V5D	SW1_V182
SW1_V187	OSW5_FT_3V	SW1_V183_2V5D	SW1_V183
SW1_V188	OSW5_FU_3V	SW1_V184_2V5D	SW1_V184
SW1_V189	OSW5_FV_3V	SW1_V185_2V5D	SW1_V185
SW1_V190	OSW5_FW_3V	SW1_V186_2V5D	SW1_V186
SW1_V191	OSW5_FX_3V	SW1_V187_2V5D	SW1_V187
SW1_V192	OSW5_FY_3V	SW1_V188_2V5D	SW1_V188
SW1_V193	OSW5_FZ_3V	SW1_V189_2V5D	SW1_V189
SW1_V194	OSW5_GA_3V	SW1_V190_2V5D	SW1_V190
SW1_V195	OSW5_GB_3V	SW1_V191_2V5D	SW1_V191
SW1_V196	OSW5_GC_3V	SW1_V192_2V5D	SW1_V192
SW1_V197	OSW5_GD_3V	SW1_V193_2V5D	SW1_V193
SW1_V198	OSW5_GD_3V	SW1_V194_2V5D	SW1_V194
SW1_V199	OSW5_GE_3V	SW1_V195_2V5D	SW1_V195
SW1_V200	OSW5_GF_3V	SW1_V196_2V5D	SW1_V196
SW1_V201	OSW5_GF_3V	SW1_V197_2V5D	SW1_V197
SW1_V202	OSW5_GG_3V	SW1_V198_2V5D	SW1_V198
SW1_V203	OSW5_GH_3V	SW1_V199_2V5D	SW1_V199
SW1_V204	OSW5_GI_3V	SW1_V200_2V5D	SW1_V200
SW1_V205	OSW5_GI_3V	SW1_V201_2V5D	SW1_V201
SW1_V206	OSW5_GJ_3V	SW1_V202_2V5D	SW1_V202
SW1_V207	OSW5_GK_3V	SW1_V203_2V5D	SW1_V203
SW1_V208	OSW5_GL_3V	SW1_V204_2V5D	SW1_V204
SW1_V209			



Sheet: /MCU/  
 File: MCU.sch  
**Title: LimeRFE**  
 Size: A3 Date: 2019-07-12 Rev: 1v0  
 KiCad E.D.A. kicad 4.0.7 Id: 2/57



**Lime Microsystems**  
 Sheet: /PowerSupply/  
 File: PowerSupply.sch  
**Title: LimeRFE**  
 Size: A3 Date: 2019-07-12 Rev: 1v0  
 KiCad E.D.A. kicad 4.0.7 Id: 3/57



**Lime Microsystems**

Sheet: /USB/

File: USB.sch

**Title: LimeRFE**

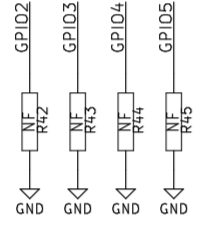
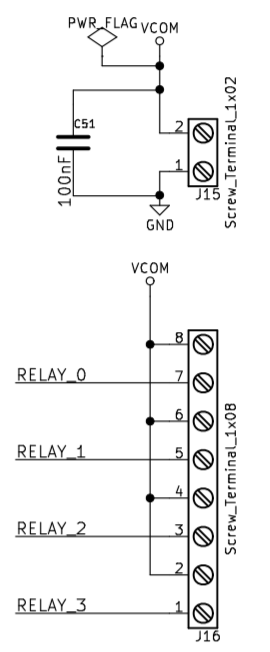
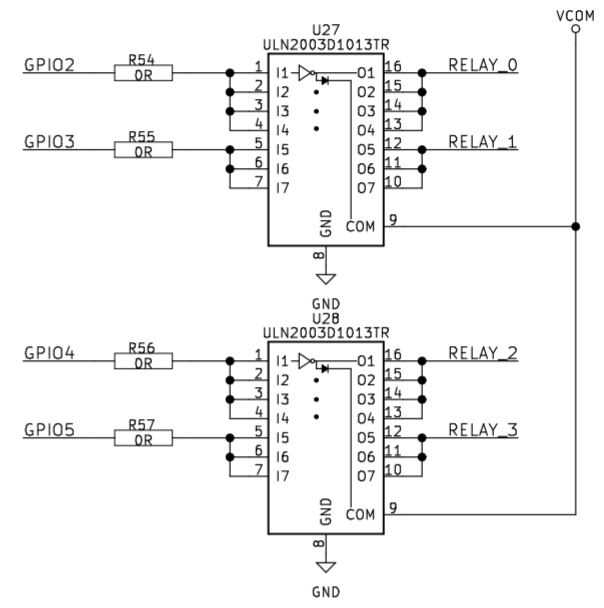
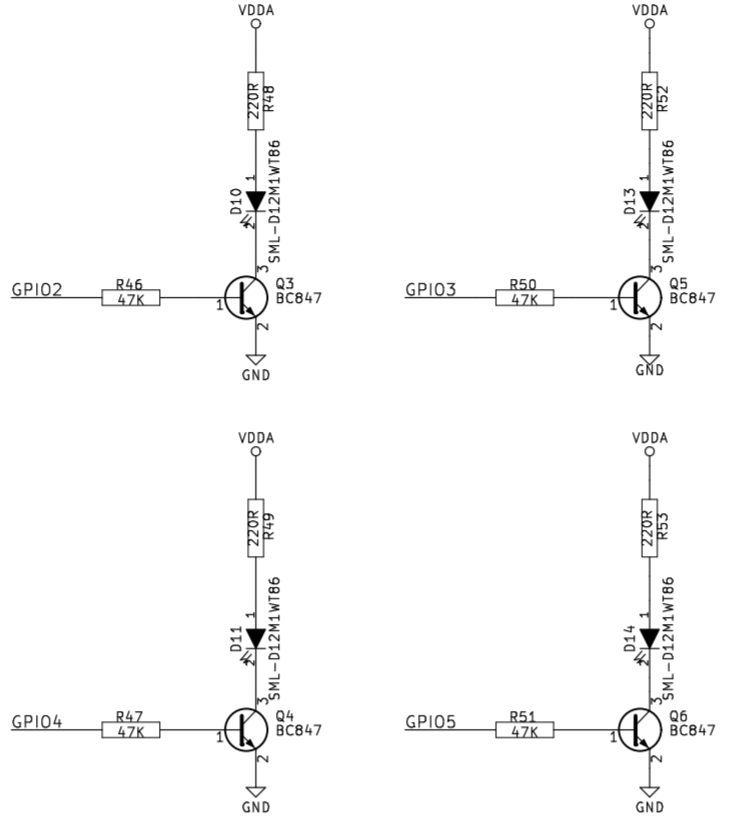
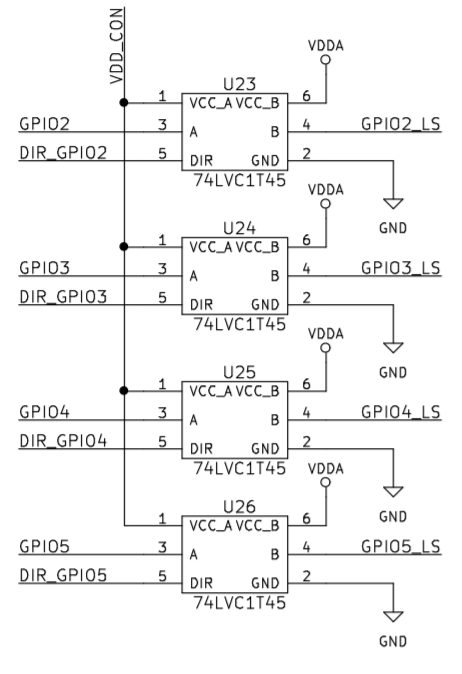
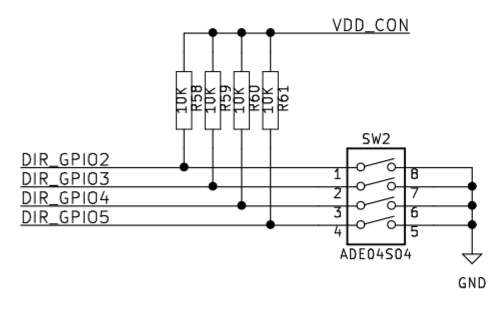
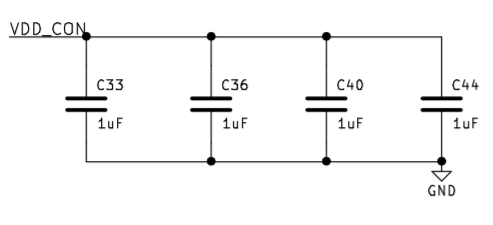
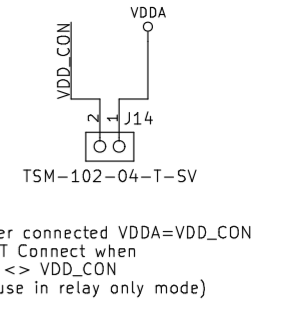
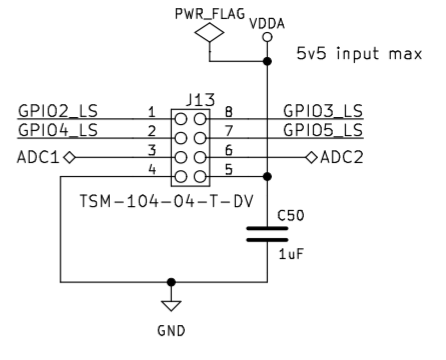
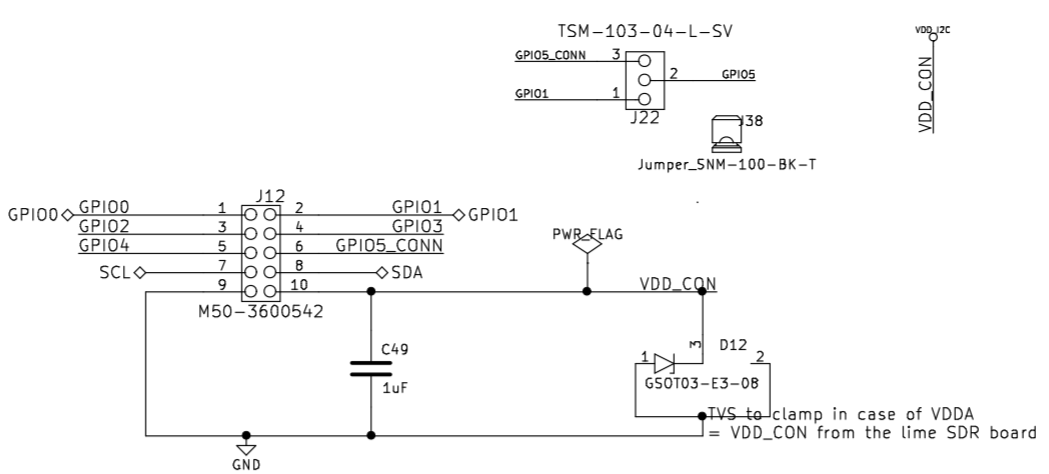
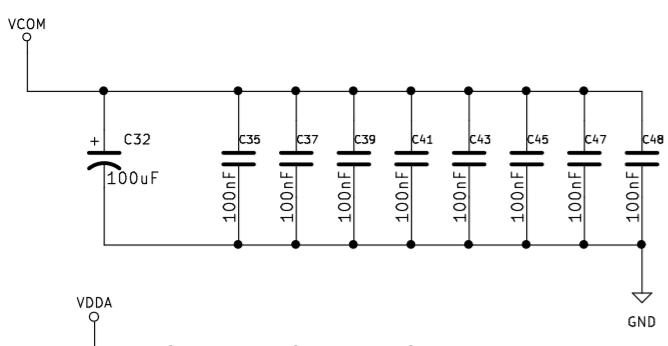
Size: A4

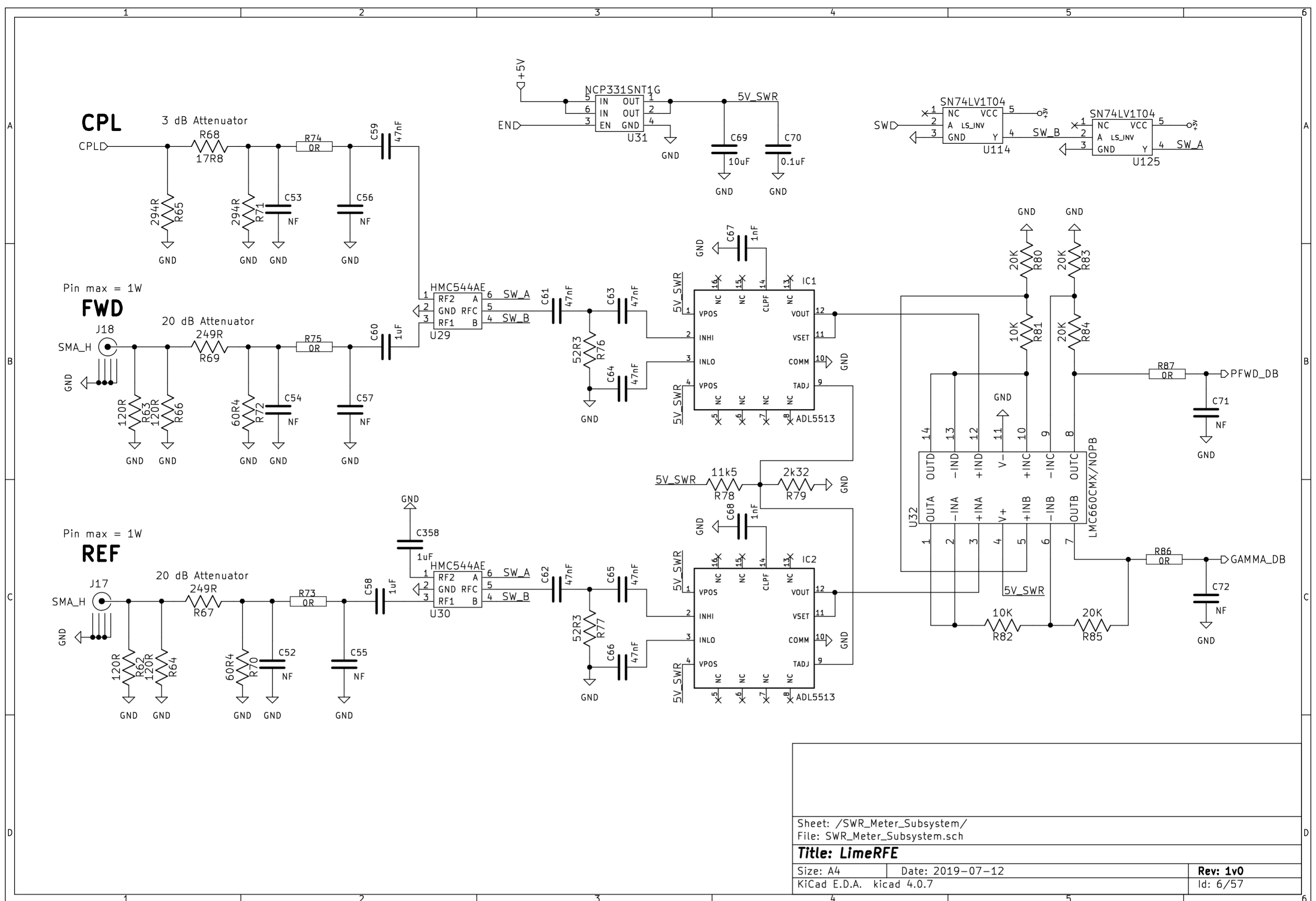
Date: 2019-07-12

Rev: 1v0

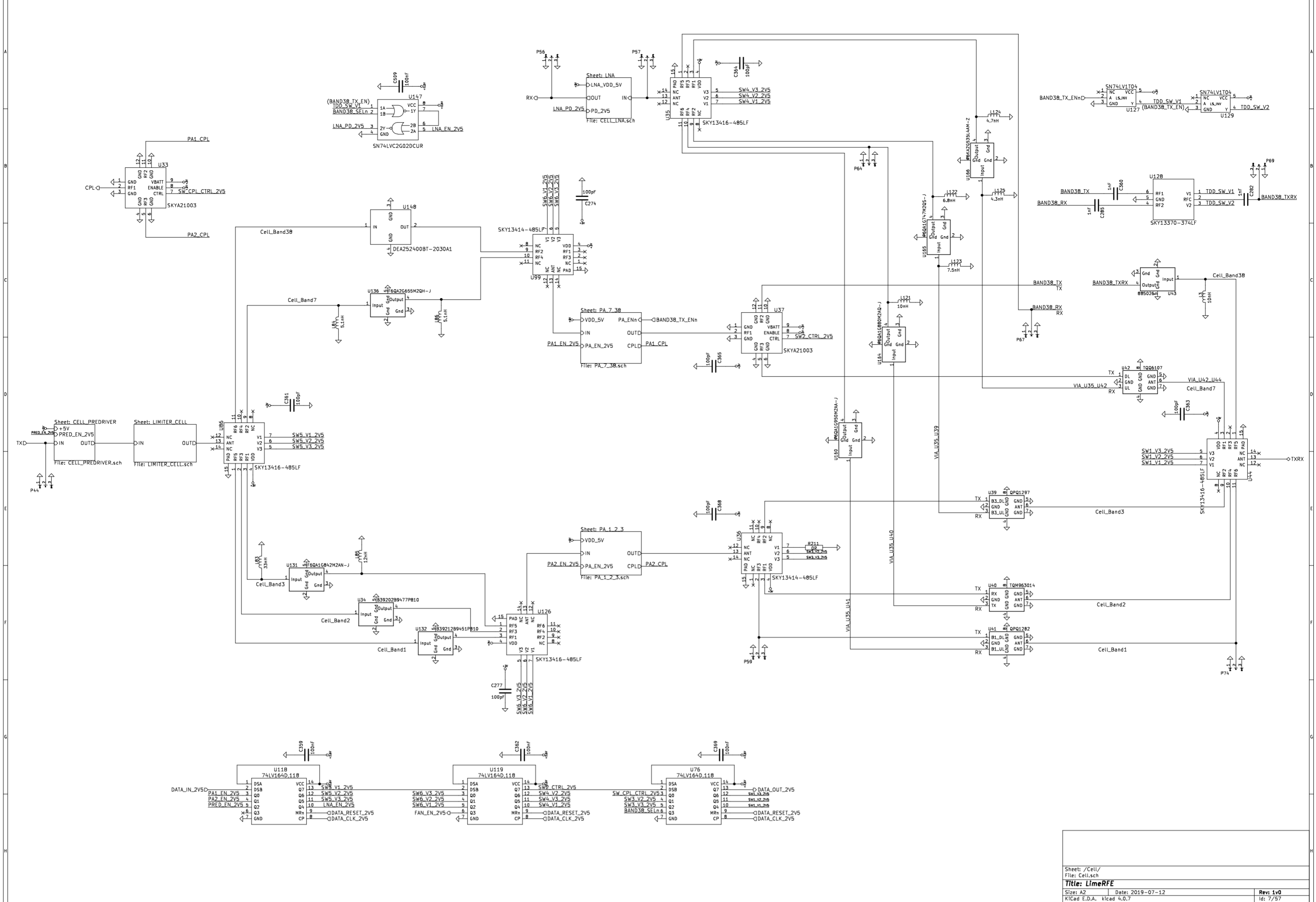
KiCad E.D.A. kicad 4.0.7

Id: 4/57

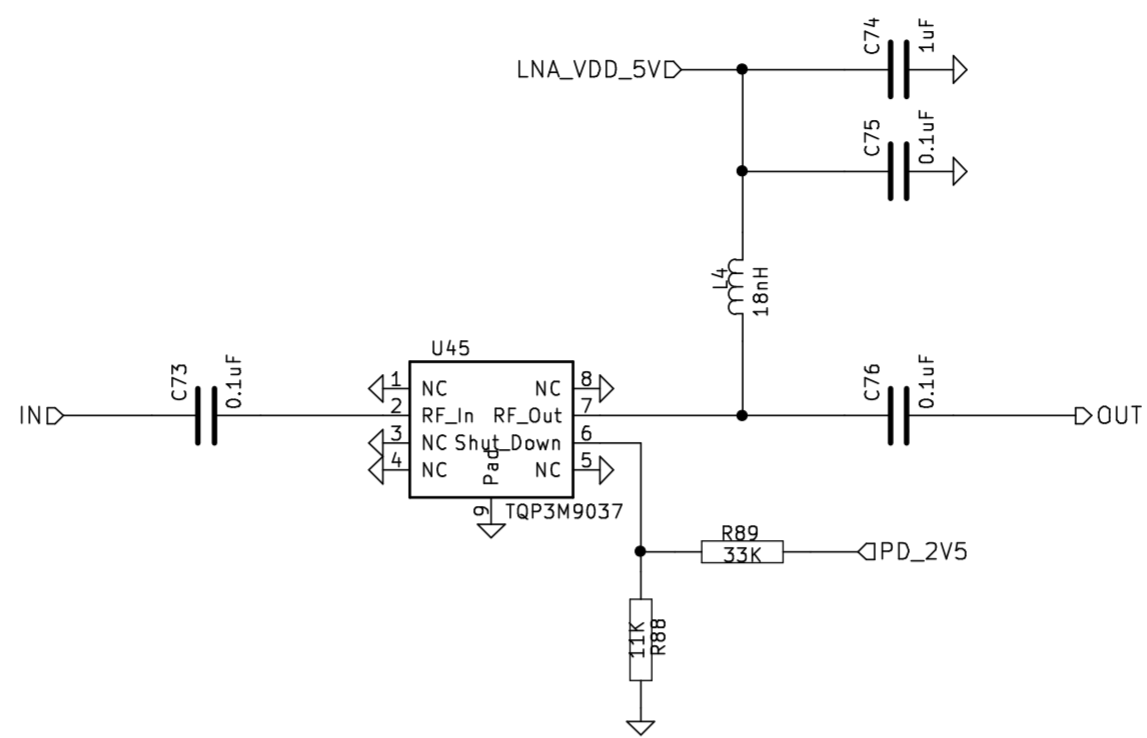




Sheet: /SWR\_Meter\_Subsystem/  
 File: SWR\_Meter\_Subsystem.sch  
**Title: LimeRFE**  
 Size: A4 Date: 2019-07-12 Rev: 1v0  
 KiCad E.D.A. kicad 4.0.7 Id: 6/57



Sheet: /Cell/  
 File: Cell.sch  
**Title: LimeRFE**  
 Size: A2 Date: 2019-07-12 Rev: 1v0  
 Kicad E.P.A. Kicad v.D.



Sheet: /Cell/LNA/  
 File: CELL\_LNA.sch

**Title: LimeRFE**

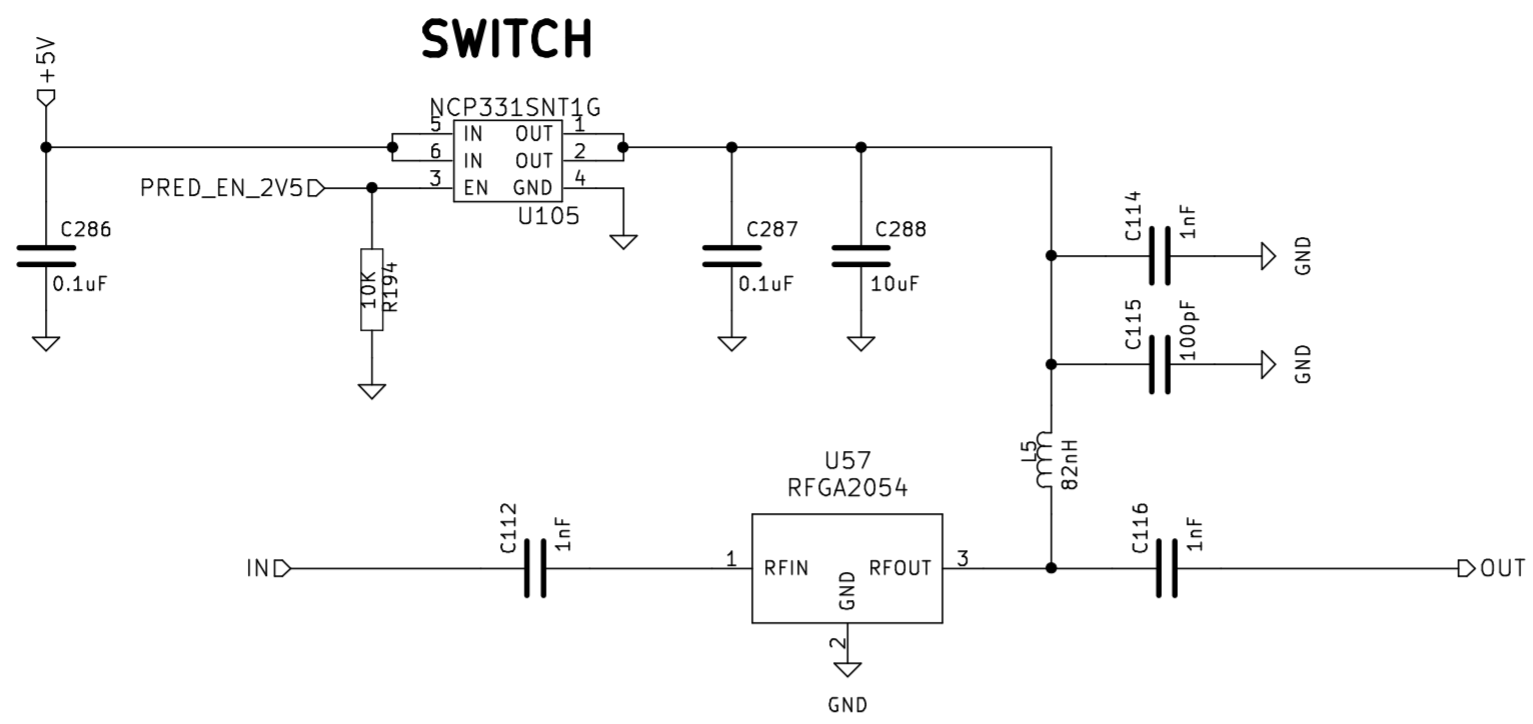
Size: A4 Date: 2019-07-12  
 KiCad E.D.A. kicad 4.0.7

**Rev: 1v0**  
 Id: 8/57







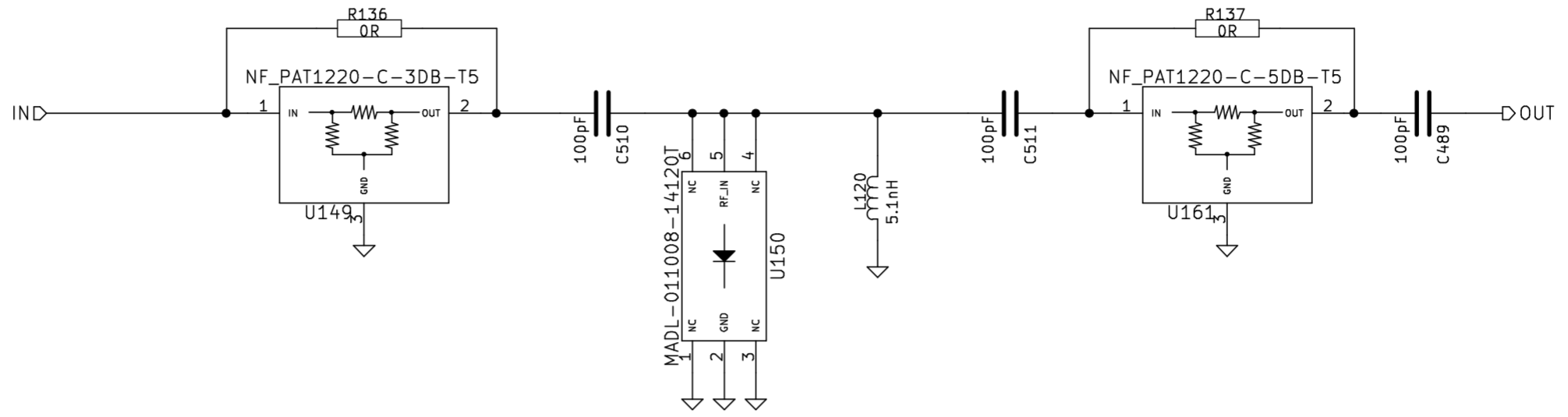


Sheet: /Cell/CELL\_PREDRIVER/  
 File: CELL\_PREDRIVER.sch

**Title: LimeRFE**

Size: A4 Date: 2019-07-12  
 KiCad E.D.A. kicad 4.0.7

**Rev: 1v0**  
 Id: 11/57

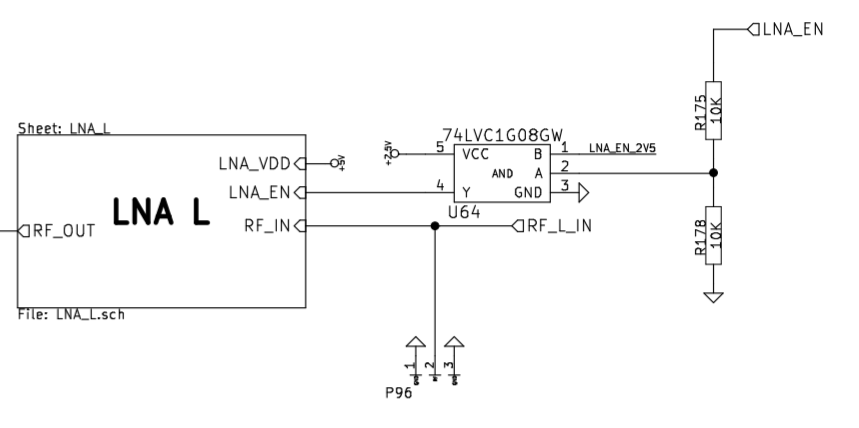
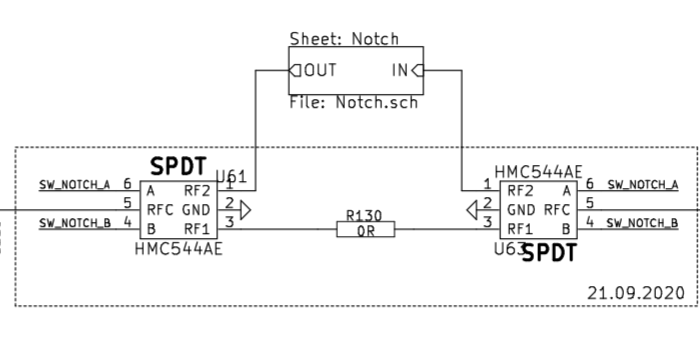
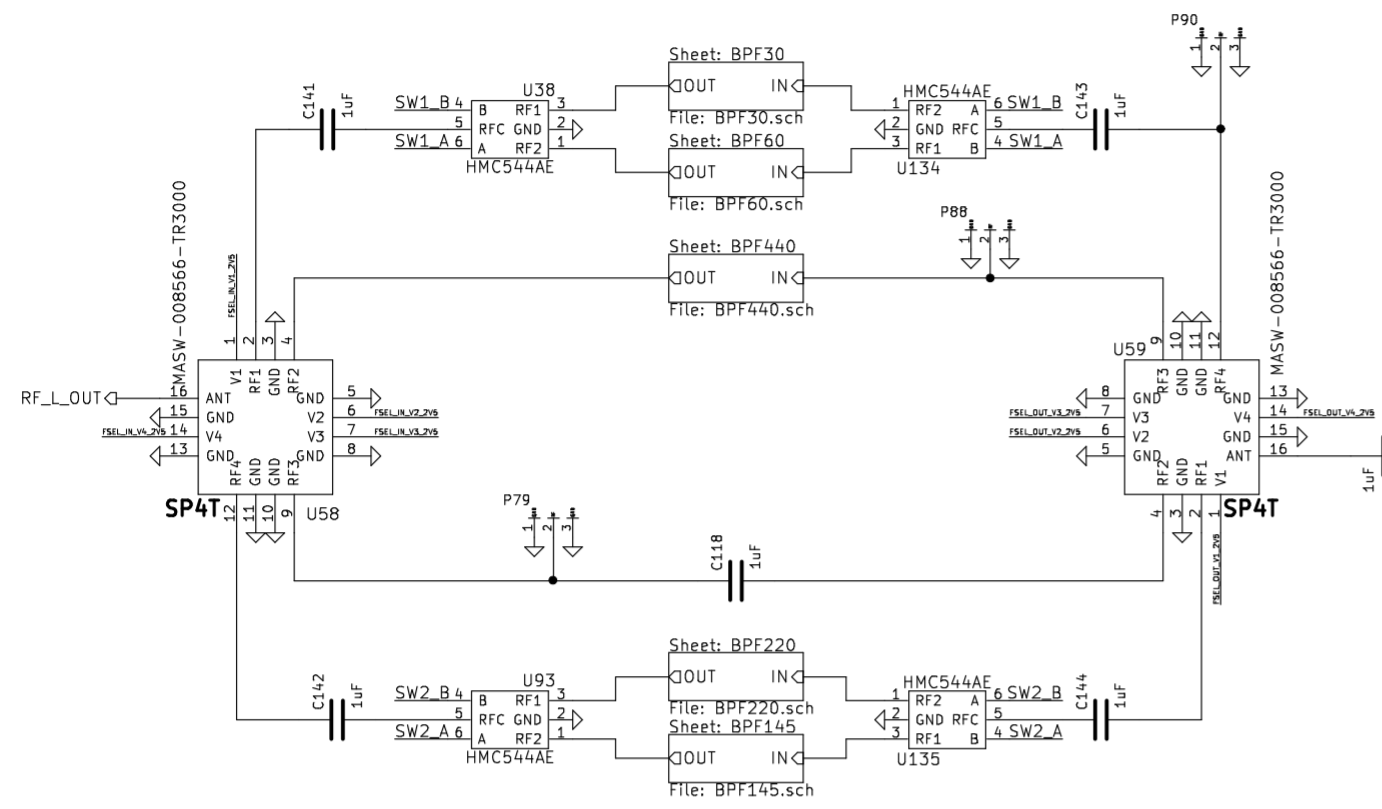
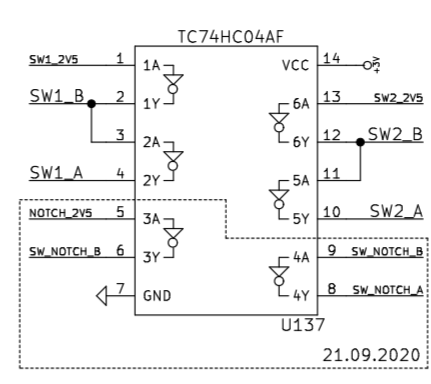
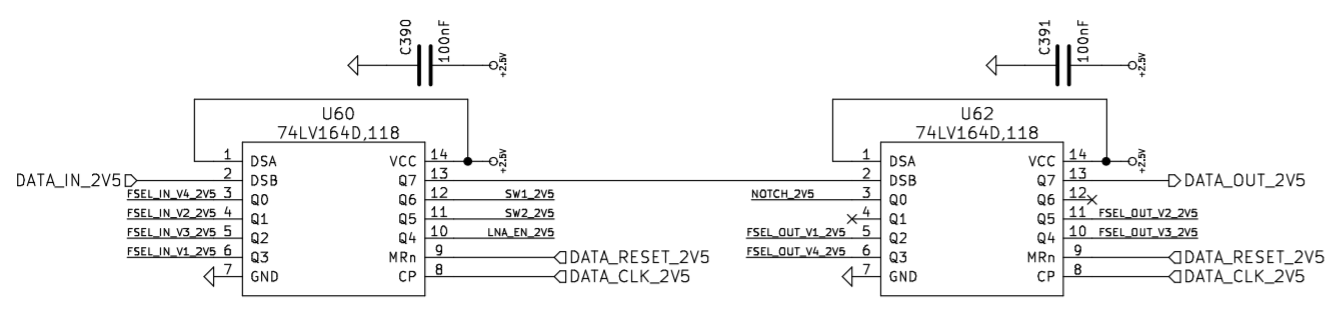


Sheet: /Cell/LIMITER\_CELL/  
 File: LIMITER\_CELL.sch

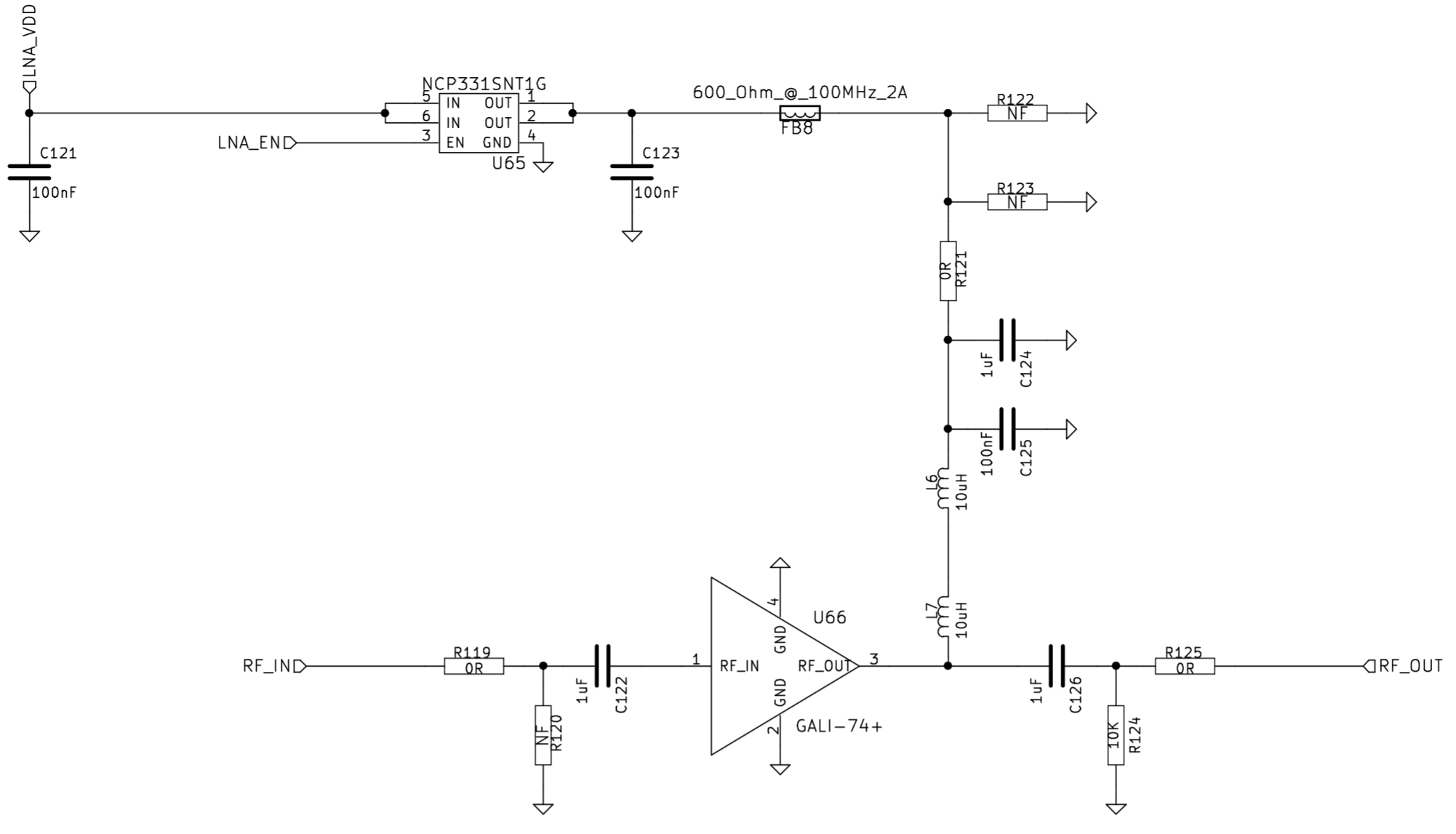
**Title:**

Size: A4 Date:  
 KiCad E.D.A. kicad 4.0.7

**Rev:**  
 Id: 12/57



Sheet: /RX\_L/  
 File: RX\_L.sch  
**Title: LimeRFE**  
 Size: A3 Date: 2019-07-12 Rev: 1v0  
 KiCad E.D.A. kicad 4.0.7 Id: 13/57



**Lime Microsystems**

Sheet: /RX\_L/LNA\_L/

File: LNA\_L.sch

**Title: LimeRFE**

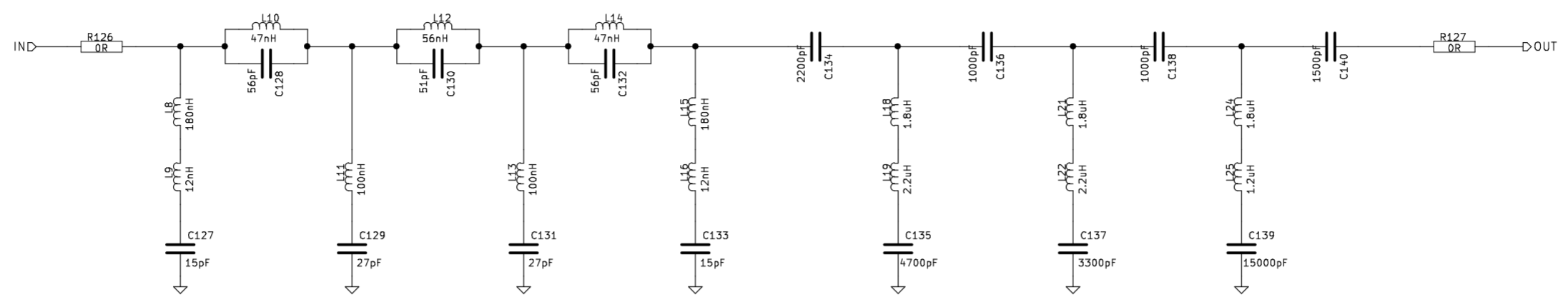
Size: A4

Date: 2019-07-12

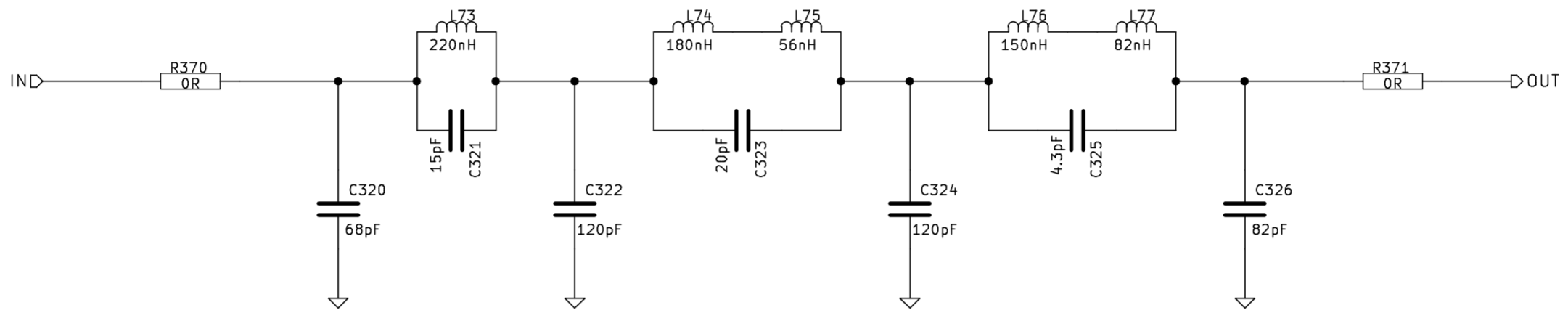
Rev: 1v0

KiCad E.D.A. kicad 4.0.7

Id: 14/57



Sheet: /RX\_L/Notch/  
 File: Notch.sch  
**Title: LimeRFE**  
 Size: A3 Date: 2019-07-12 Rev: 1v0  
 KiCad E.D.A. kicad 4.0.7 Id: 15/57



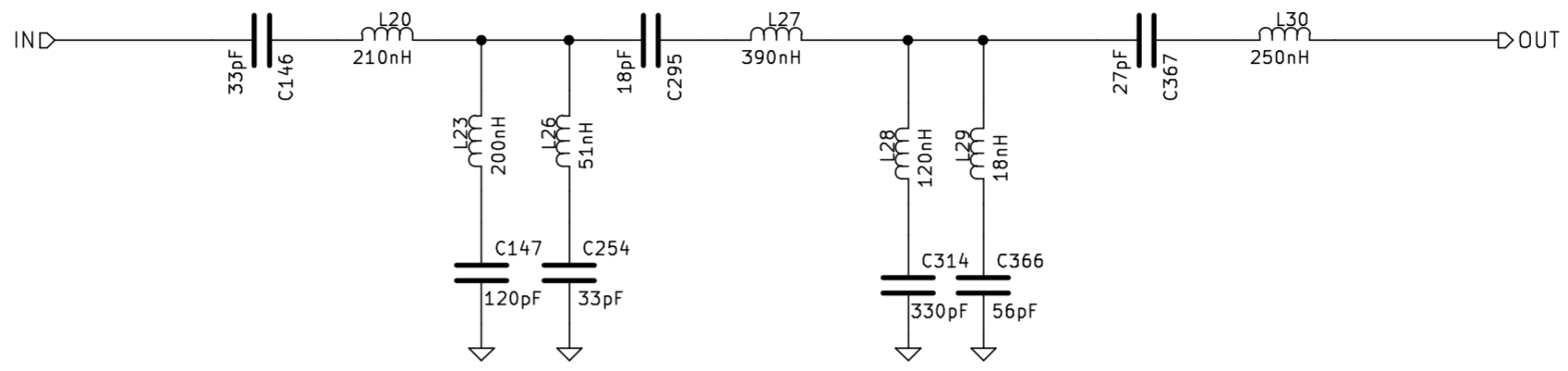
Sheet: /RX\_L/BPF30/  
 File: BPF30.sch

**Title: LimeRFE**

Size: A4 Date: 2019-07-12  
 KiCad E.D.A. kicad 4.0.7

**Rev: 1v0**  
 Id: 16/57



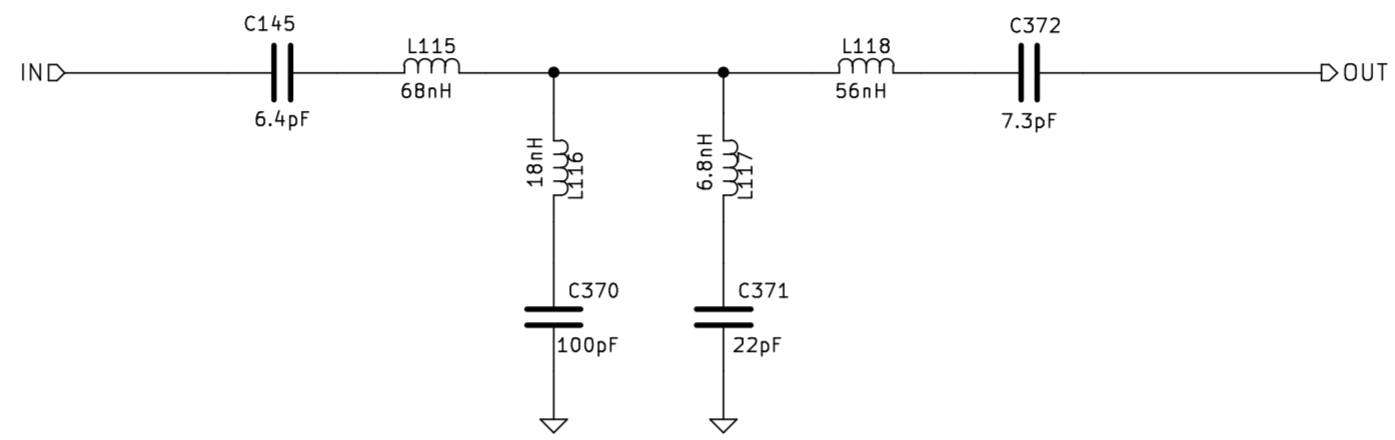


Sheet: /RX\_L/BPF60/  
 File: BPF60.sch

**Title: LimeRFE**

Size: A4 Date: 2019-07-12  
 KiCad E.D.A. kicad 4.0.7

**Rev: 1v0**  
 Id: 17/57

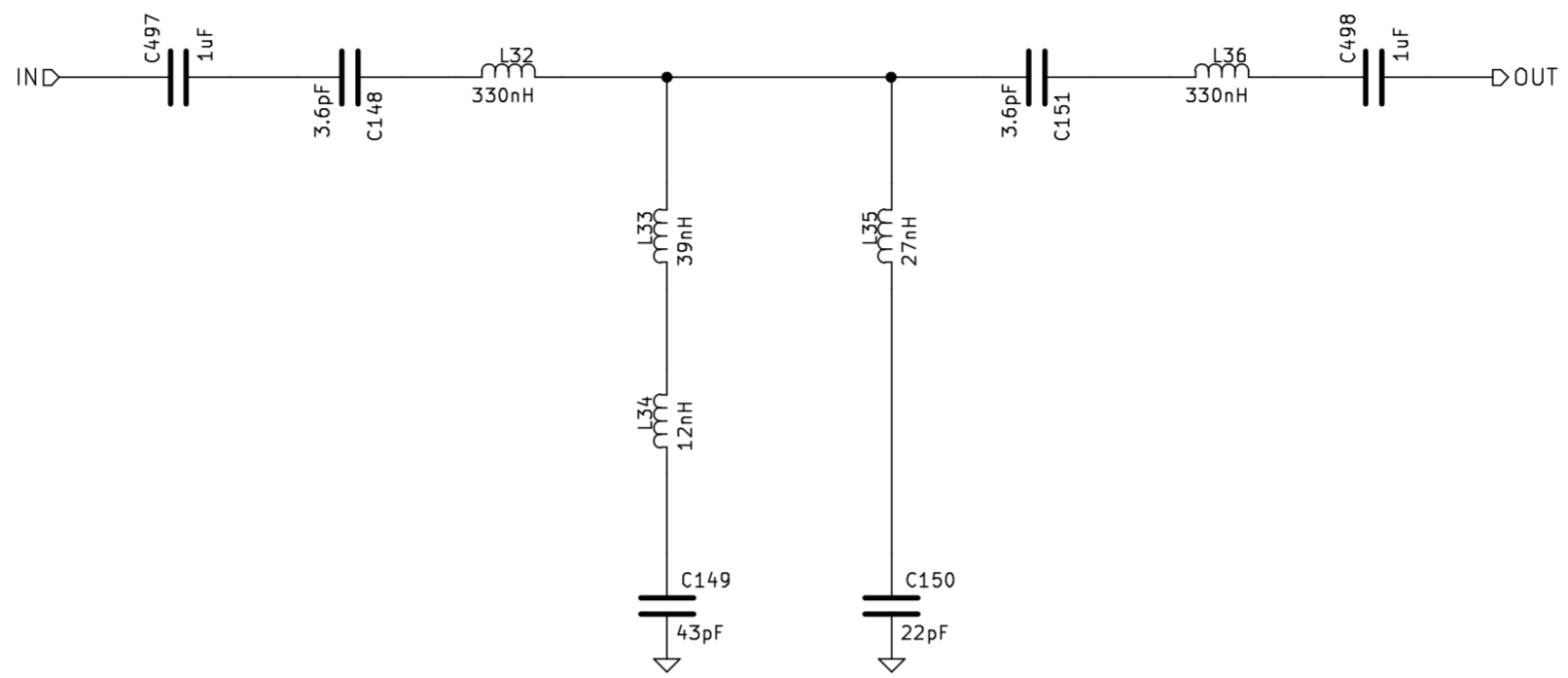


Sheet: /RX\_L/BPF220/  
 File: BPF220.sch

**Title: LimeRFE**

Size: A4 Date: 2019-07-12  
 KiCad E.D.A. kicad 4.0.7

**Rev: 1v0**  
 Id: 18/57

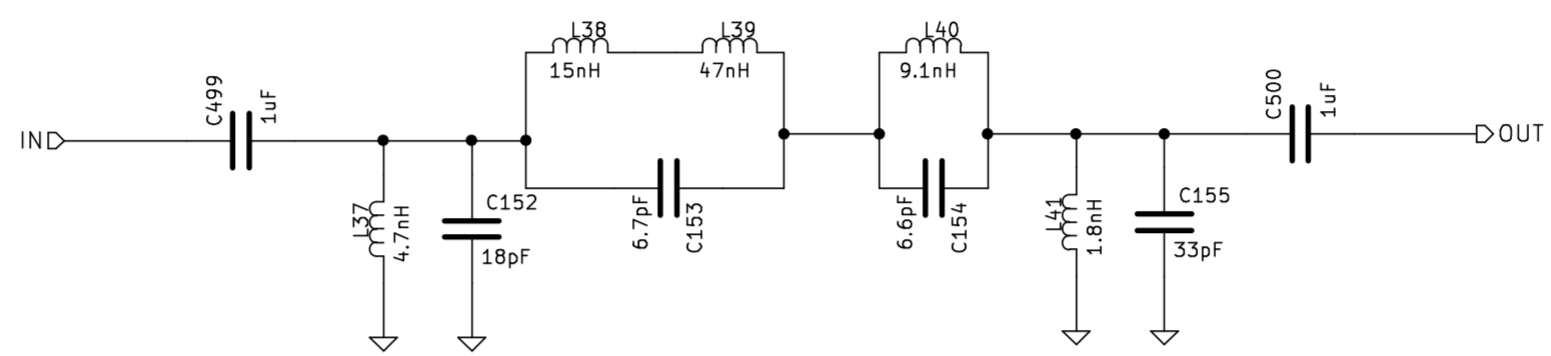


Sheet: /RX\_L/BPF145/  
 File: BPF145.sch

**Title: LimeRFE**

Size: A4 Date: 2019-07-12  
 KiCad E.D.A. kicad 4.0.7

**Rev: 1v0**  
 Id: 19/57

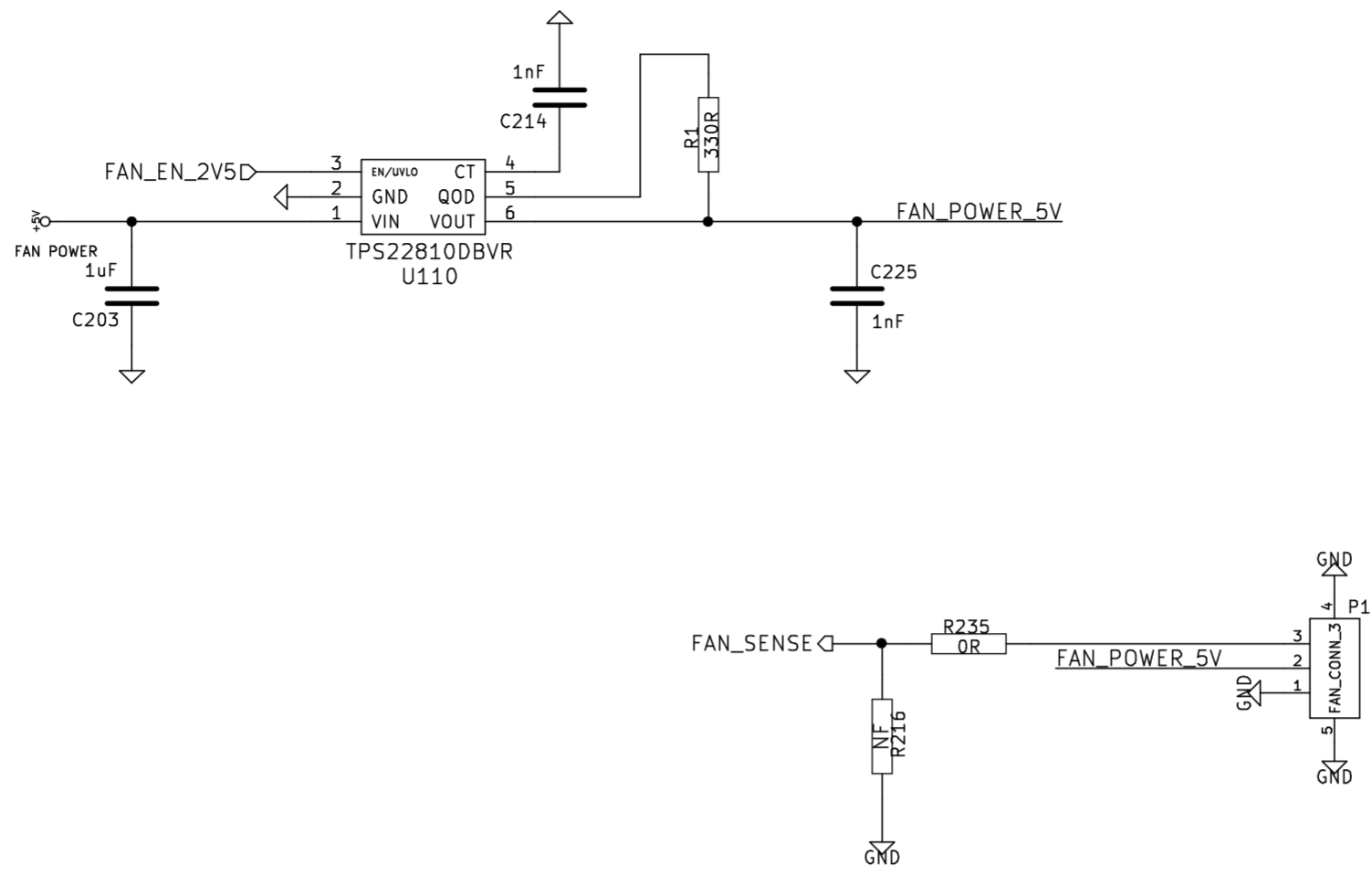


Sheet: /RX\_L/BPF440/  
 File: BPF440.sch

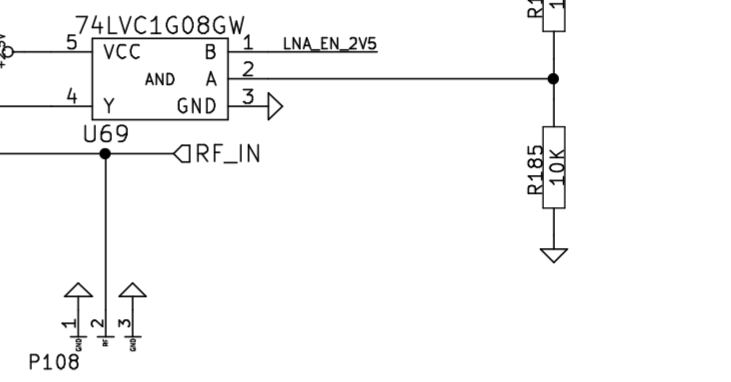
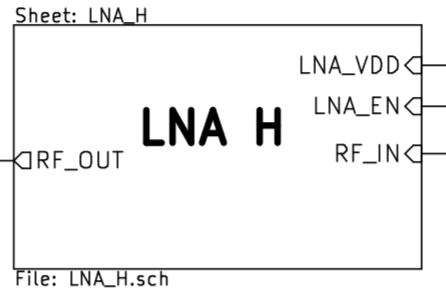
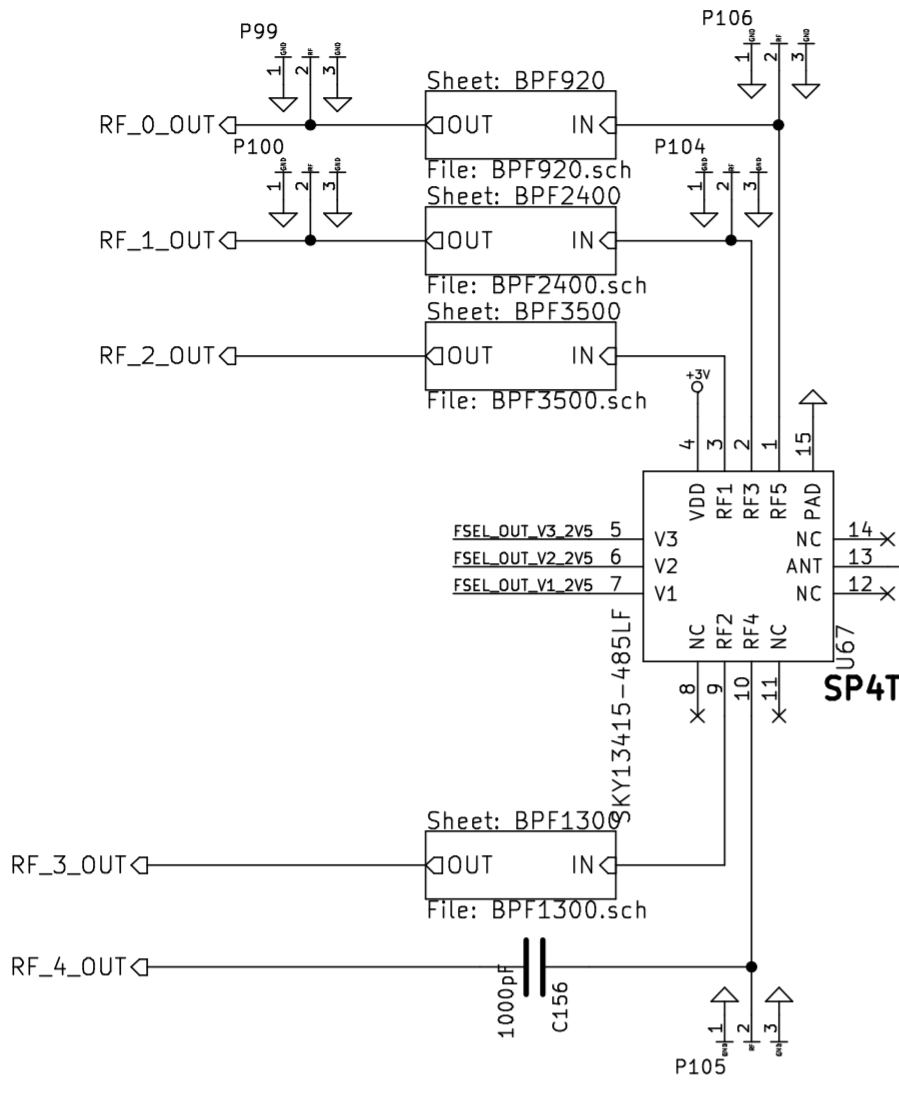
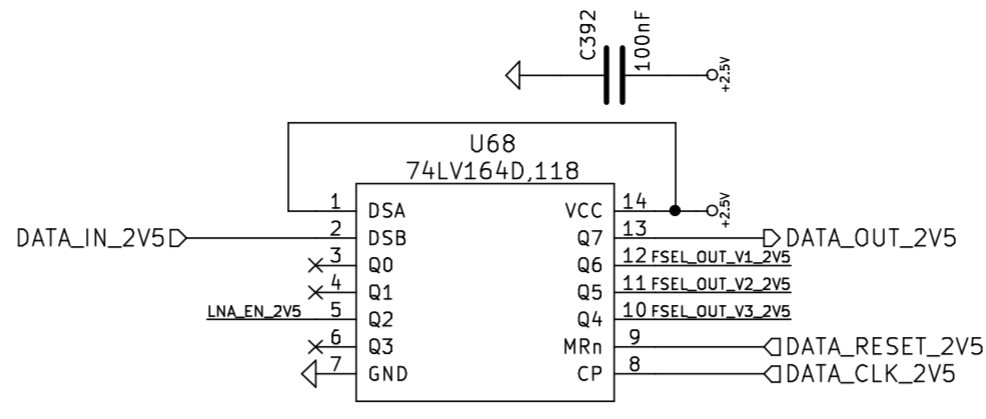
**Title: LimeRFE**

Size: A4 Date: 2019-07-12  
 KiCad E.D.A. kicad 4.0.7

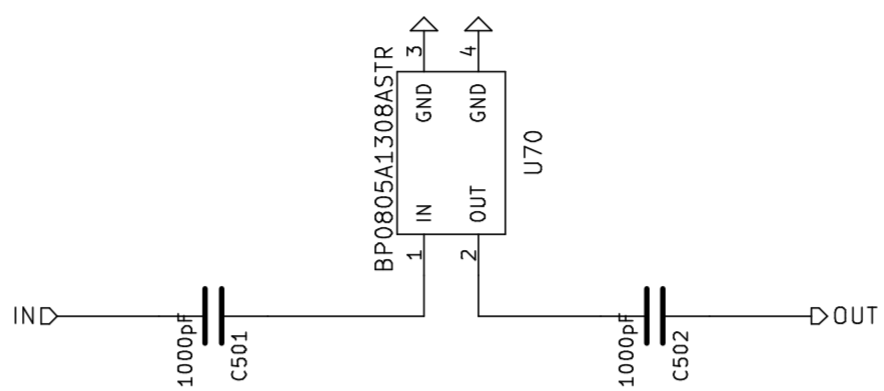
**Rev: 1v0**  
 Id: 20/57



Sheet: /FAN/  
 File: FAN.sch  
**Title: LimeRFE**  
 Size: A4 Date: 2019-07-12 Rev: 1v0  
 KiCad E.D.A. kicad 4.0.7 Id: 21/57



Sheet: /RX\_H/  
File: RX\_H.sch  
**Title: LimeRFE**  
Size: A4 Date: 2019-07-12 Rev: 1v0  
KiCad E.D.A. kicad 4.0.7 Id: 22/57



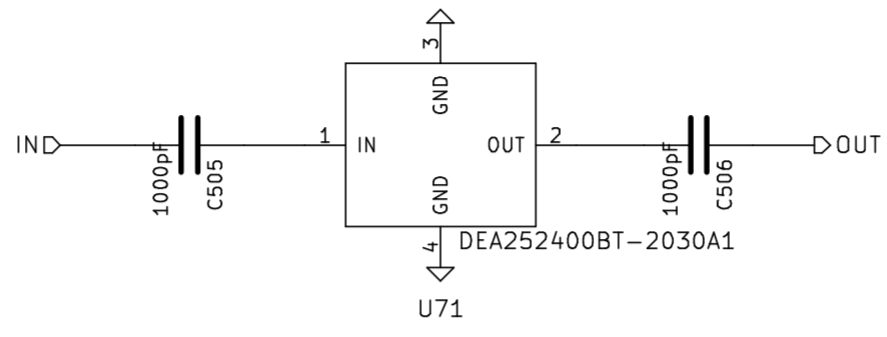
Sheet: /RX\_H/BPF1300/  
 File: BPF1300.sch

**Title: LimeRFE**

Size: A4 Date: 2019-07-12

Rev: 1v0  
 Id: 23/57

KiCad E.D.A. kicad 4.0.7



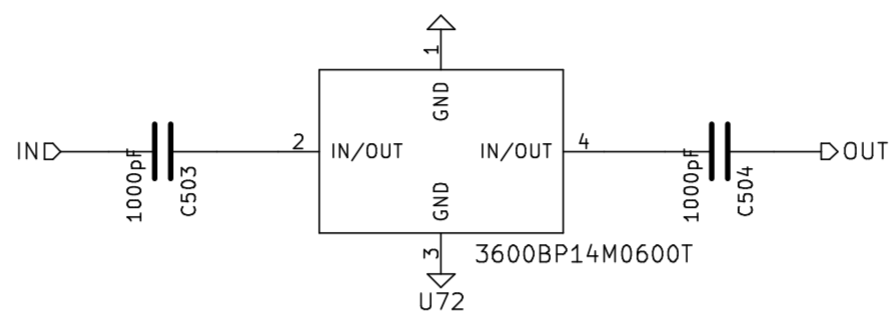
Sheet: /RX\_H/BPF2400/  
File: BPF2400.sch

**Title: LimeRFE**

Size: A4 Date: 2019-07-12  
KiCad E.D.A. kicad 4.0.7

**Rev: 1v0**  
Id: 24/57



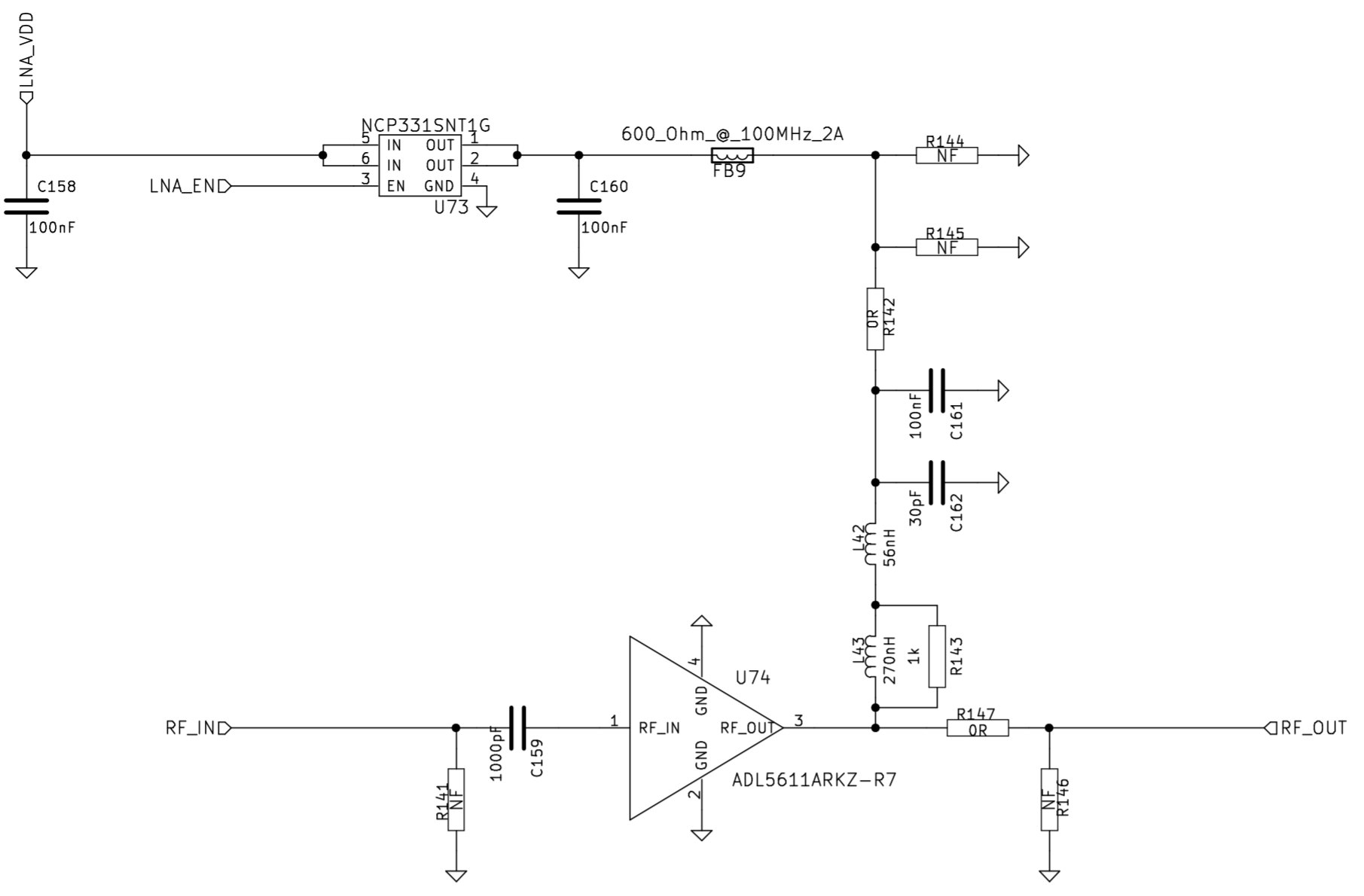


Sheet: /RX\_H/BPF3500/  
 File: BPF3500.sch

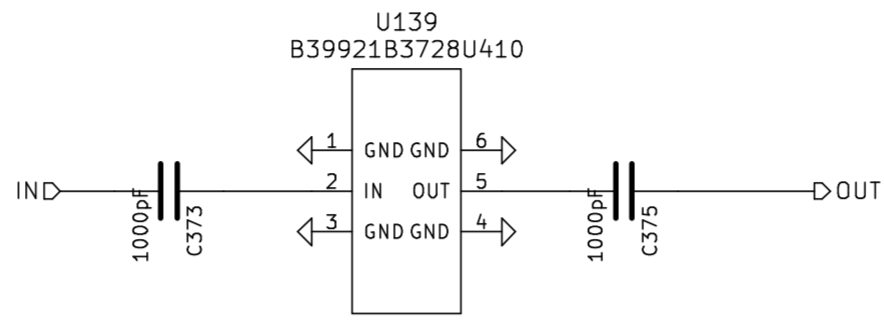
**Title: LimeRFE**

Size: A4 Date: 2019-07-12  
 KiCad E.D.A. kicad 4.0.7

**Rev: 1v0**  
 Id: 25/57



<b>Lime Microsystems</b>		
Sheet: /RX_H/LNA_H/		
File: LNA_H.sch		
<b>Title: LimeRFE</b>		
Size: A4	Date: 2019-07-12	<b>Rev: 1v0</b>
KiCad E.D.A. kicad 4.0.7		Id: 26/57

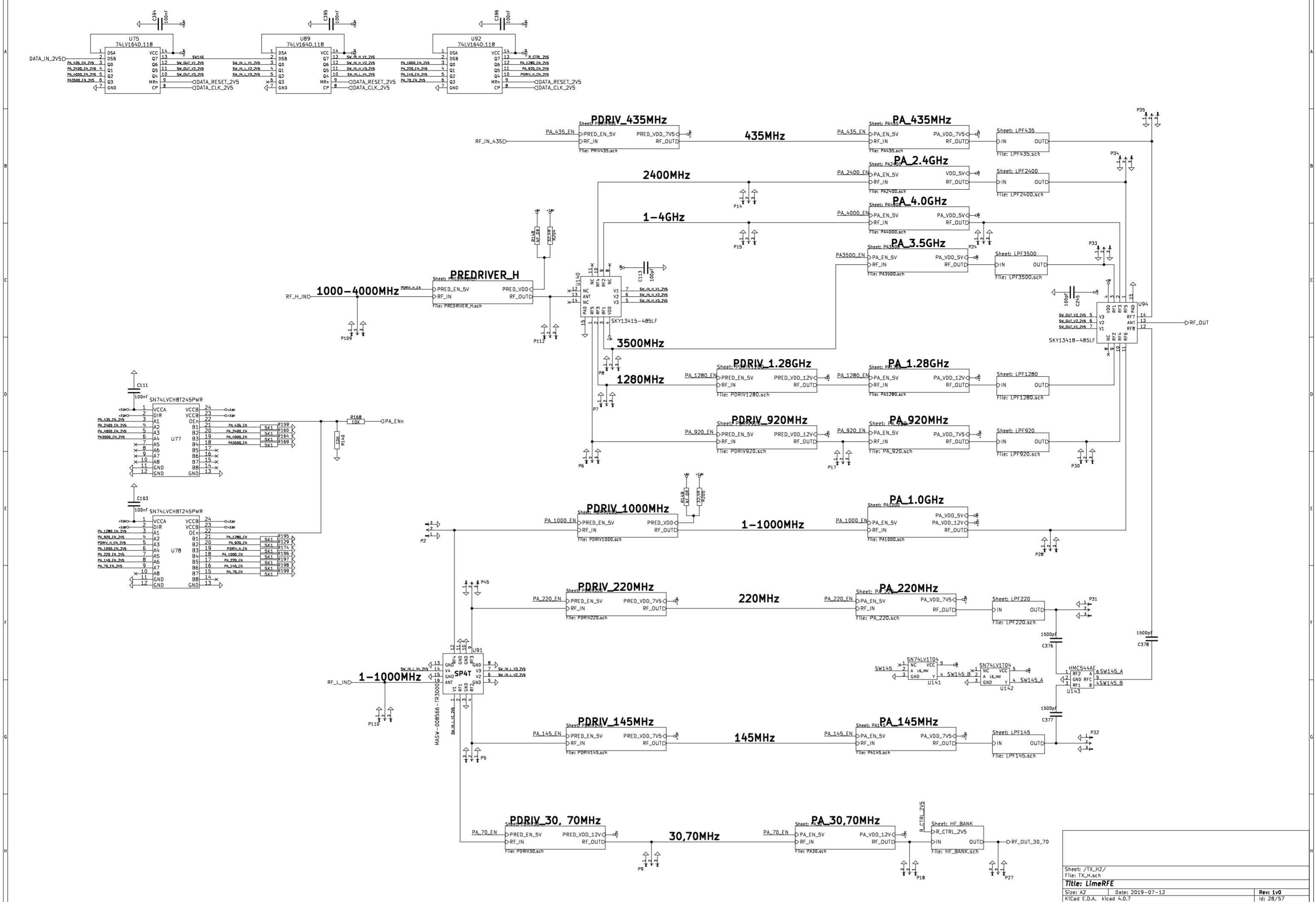


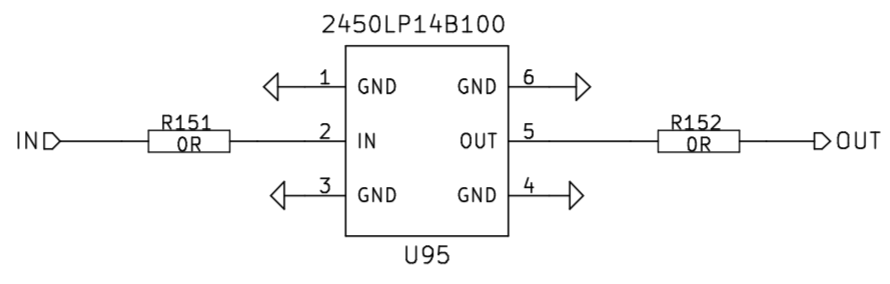
Sheet: /RX\_H/BPF920/  
 File: BPF920.sch

**Title: LimeRFE**

Size: A4 Date: 2019-07-12  
 KiCad E.D.A. kicad 4.0.7

**Rev: 1v0**  
 Id: 27/57



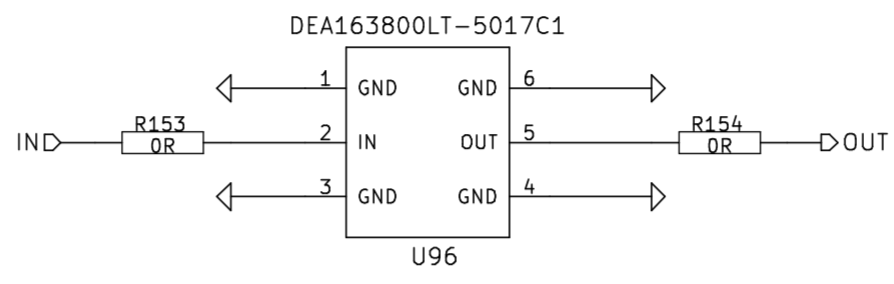


Sheet: /TX\_H2/LPF2400/  
 File: LPF2400.sch

**Title: LimeRFE**

Size: A4 Date: 2019-07-12  
 KiCad E.D.A. kicad 4.0.7

**Rev: 1v0**  
 Id: 29/57

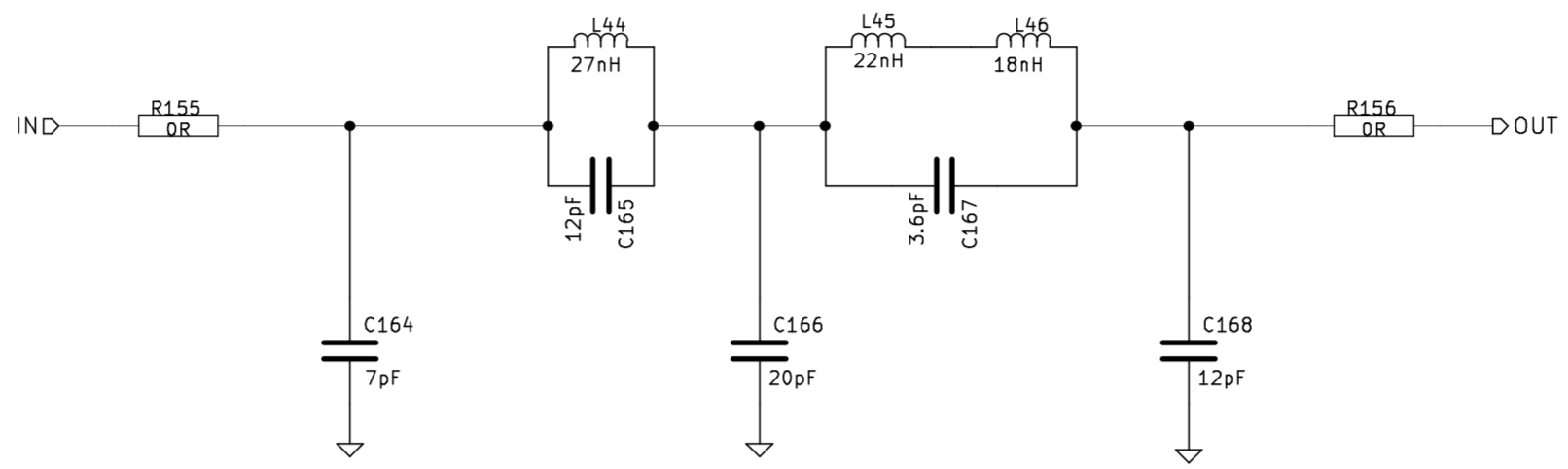


Sheet: /TX\_H2/LPF3500/  
File: LPF3500.sch

**Title: LimeRFE**

Size: A4 Date: 2019-07-12  
KiCad E.D.A. kicad 4.0.7

**Rev: 1v0**  
Id: 30/57

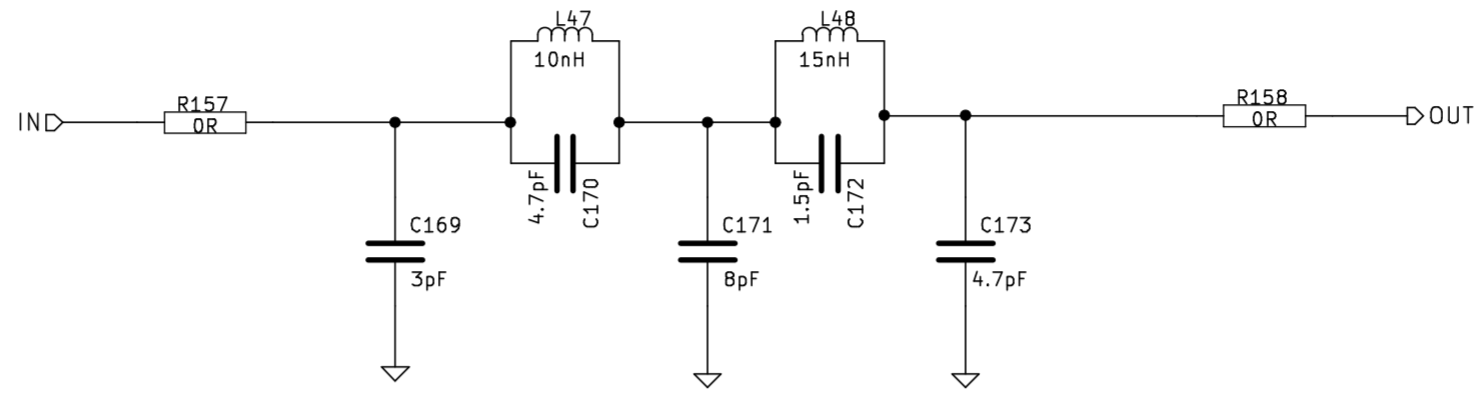


Sheet: /TX\_H2/LPF145/  
 File: LPF145.sch

**Title: LimeRFE**

Size: A4 Date: 2019-07-12  
 KiCad E.D.A. kicad 4.0.7

**Rev: 1v0**  
 Id: 31/57



Sheet: /TX\_H2/LPF435/  
 File: LPF435.sch

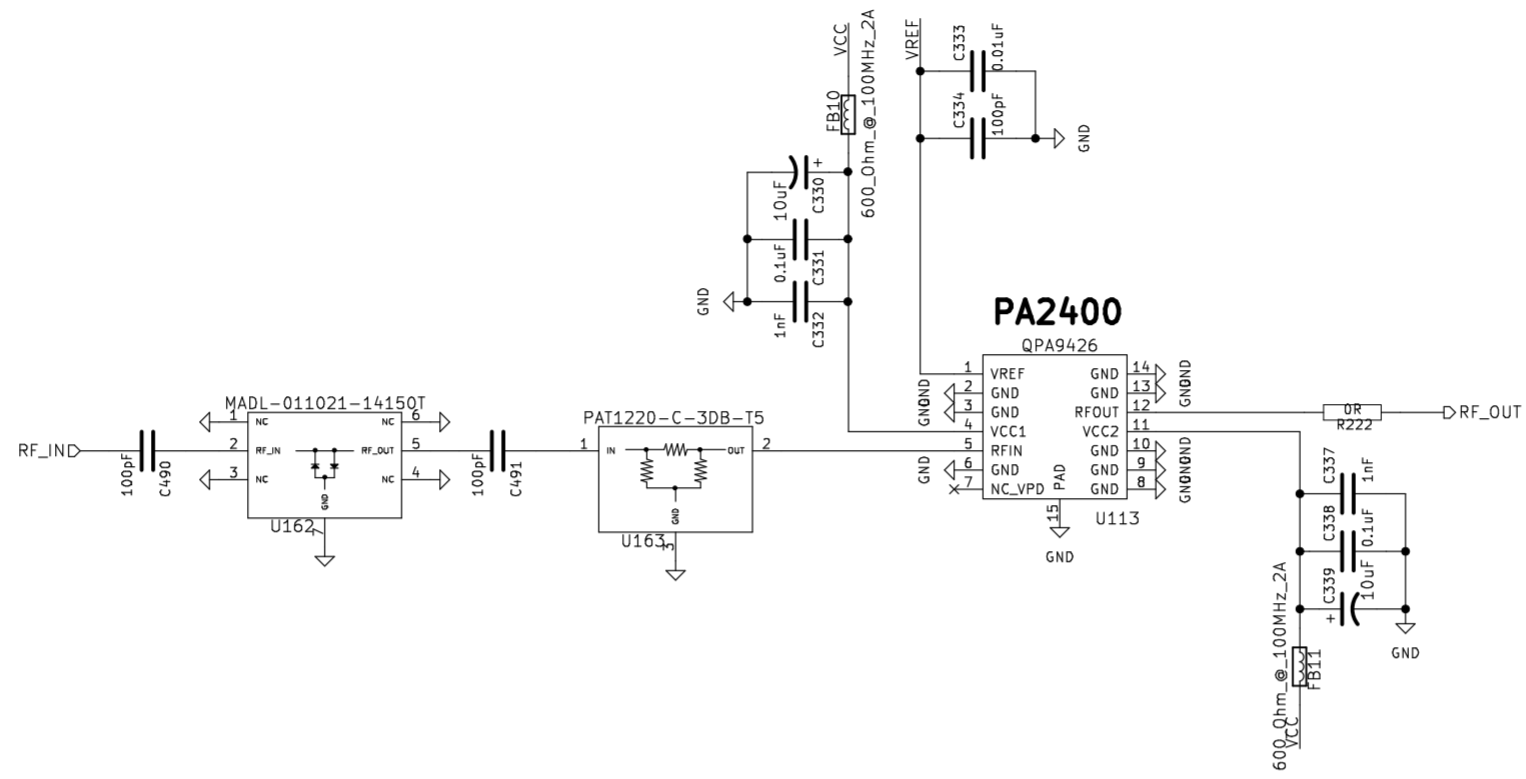
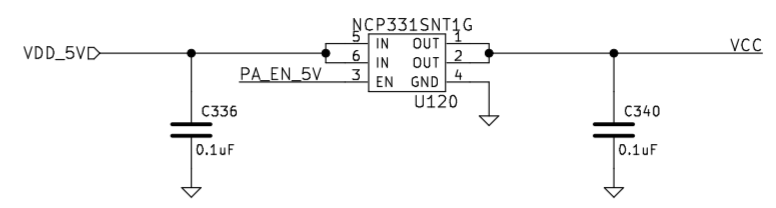
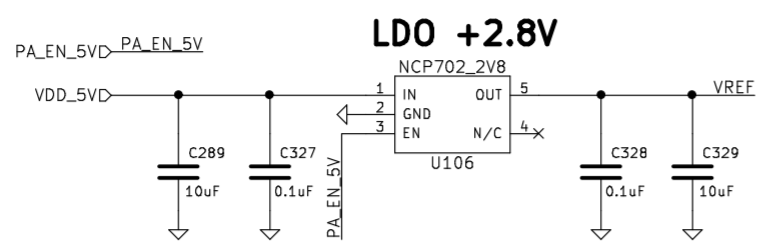
**Title: LimeRFE**

Size: A4 Date: 2019-07-12  
 KiCad E.D.A. kicad 4.0.7

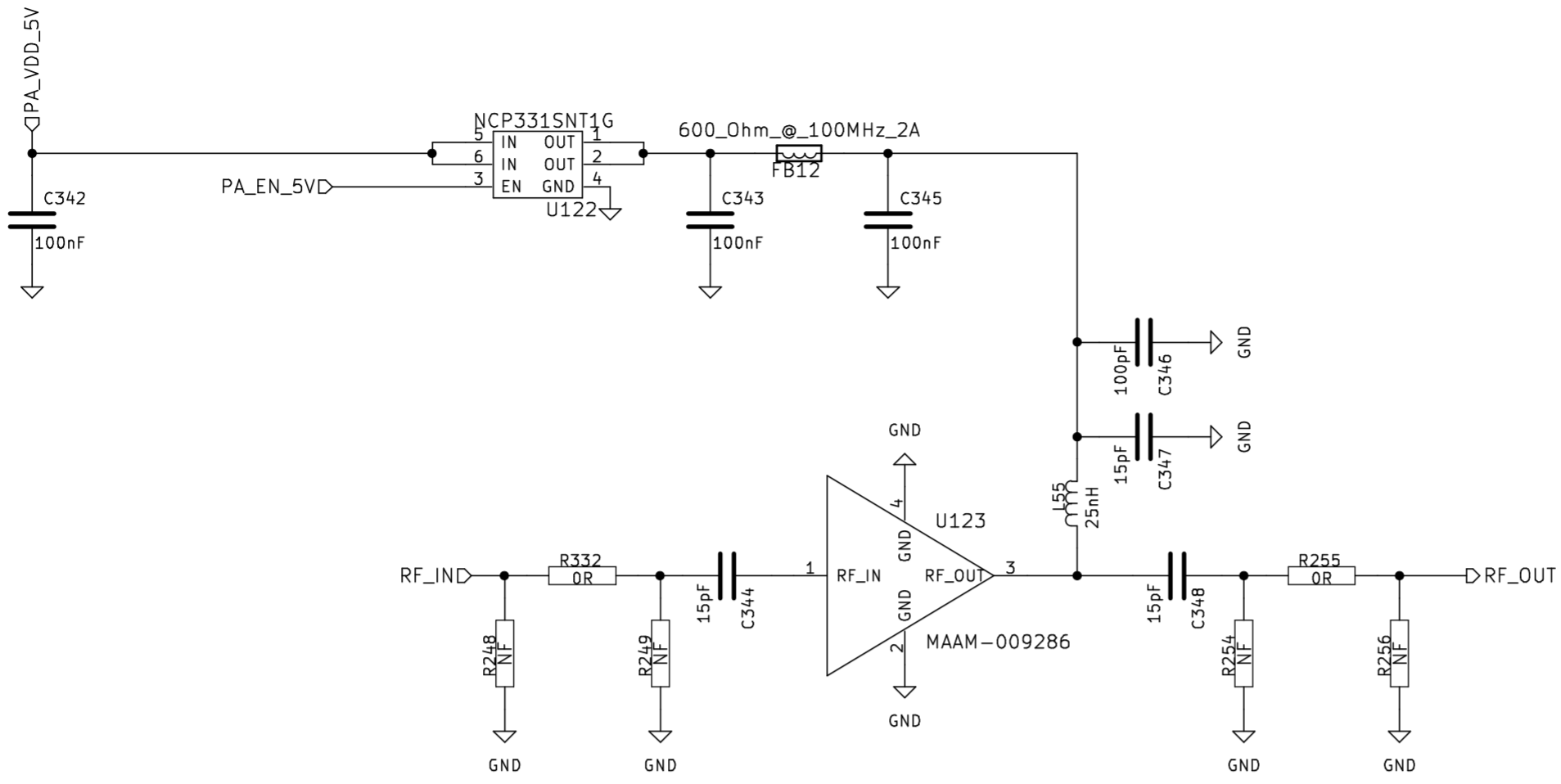
**Rev: 1v0**  
 Id: 32/57







<b>Lime Microsystems</b>		
Sheet: /TX_H2/PA2400/		
File: PA2400.sch		
<b>Title: LimeRFE</b>		
Size: A3	Date: 2019-07-12	Rev: 1v0
KICad E.D.A. kicad 4.0.7		Id: 34/57



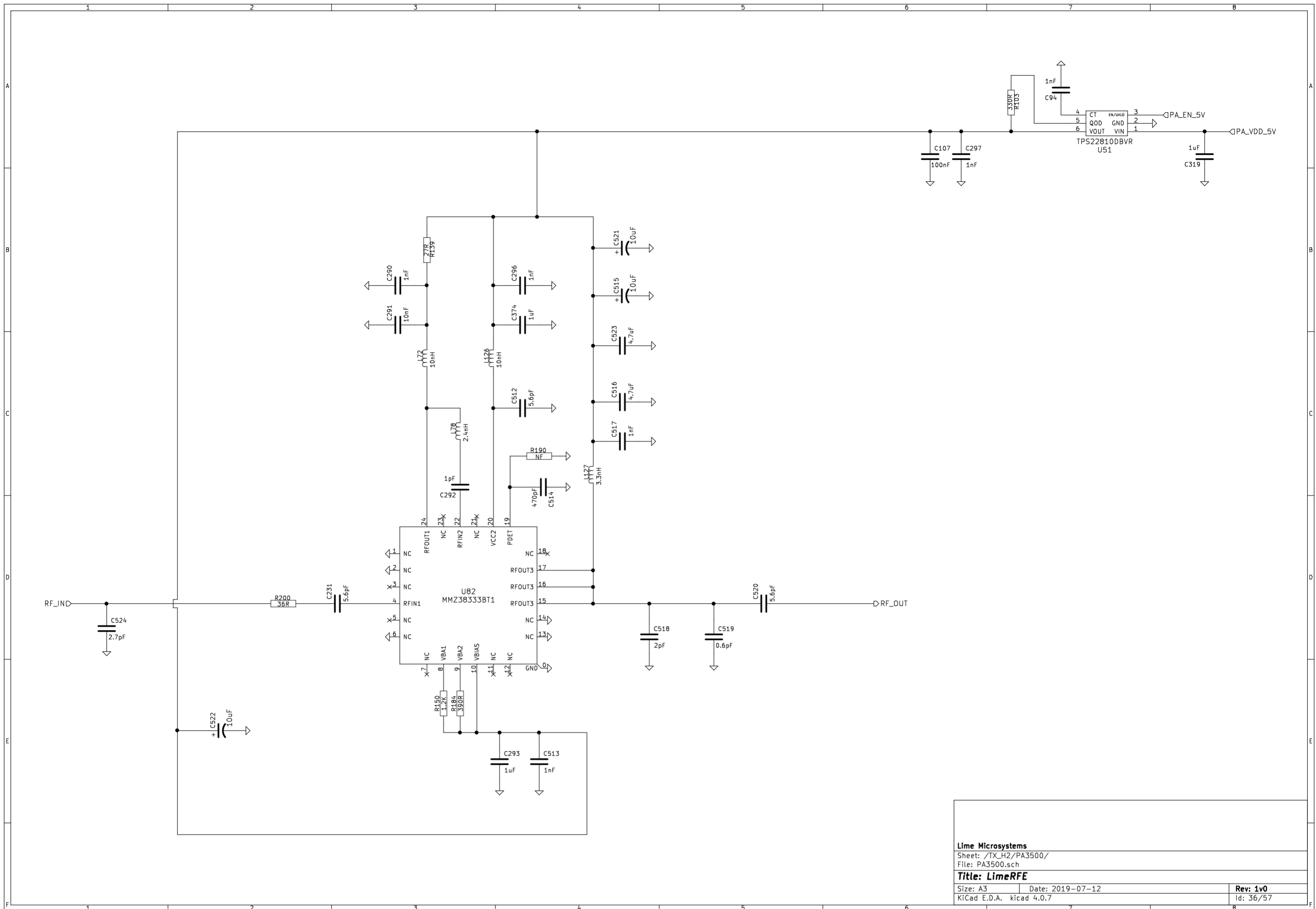
**Lime Microsystems**

Sheet: /TX\_H2/PA4000/  
File: PA4000.sch

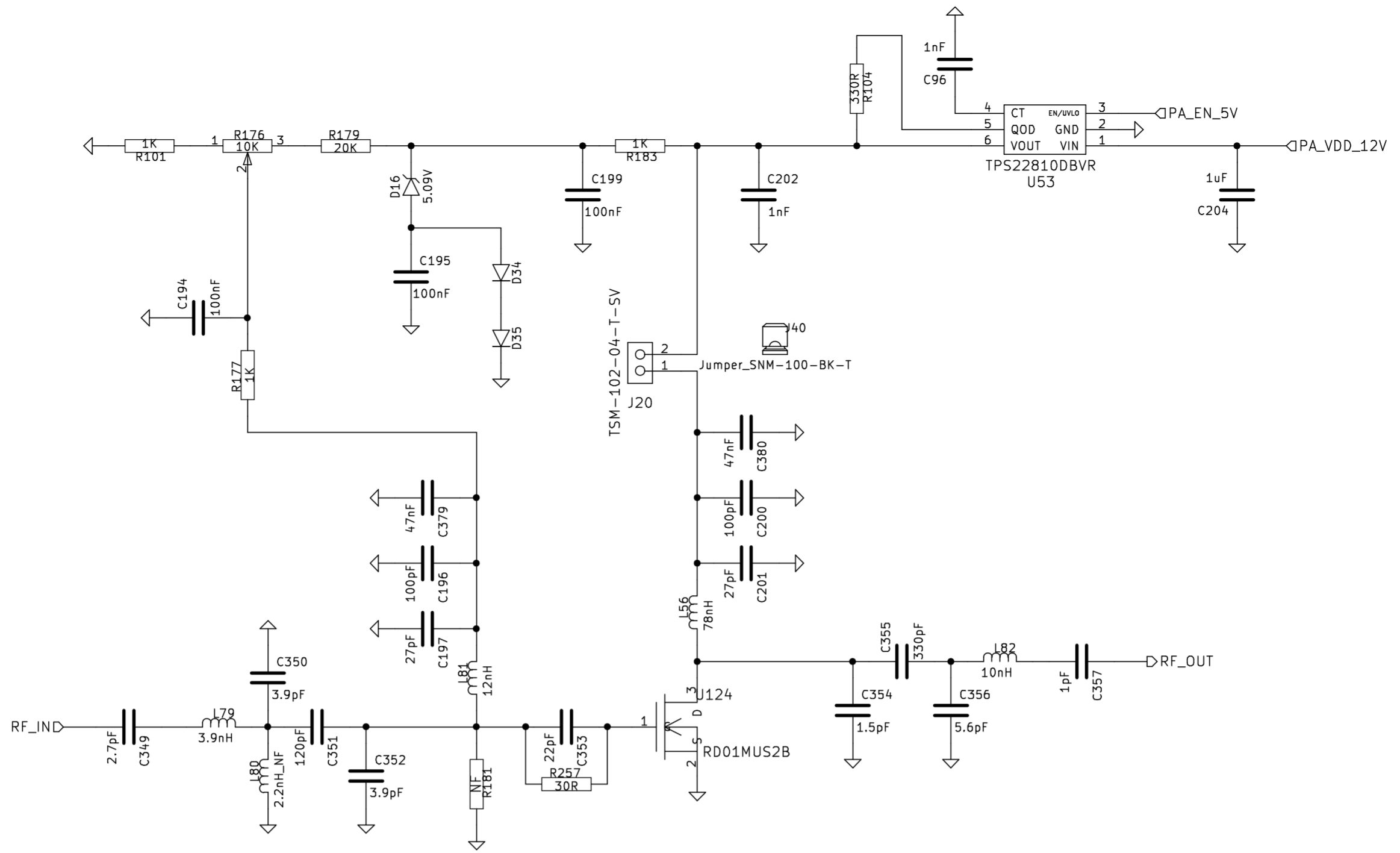
**Title: LimeRFE**

Size: A4 | Date: 2019-07-12  
KiCad E.D.A. kicad 4.0.7

**Rev: 1v0**  
Id: 35/57



**Lime Microsystems**  
 Sheet: /TX\_H2/PA3500/  
 File: PA3500.sch  
**Title: LimeRFE**  
 Size: A3 Date: 2019-07-12 Rev: 1v0  
 KiCad E.D.A. kicad 4.0.7 Id: 36/57



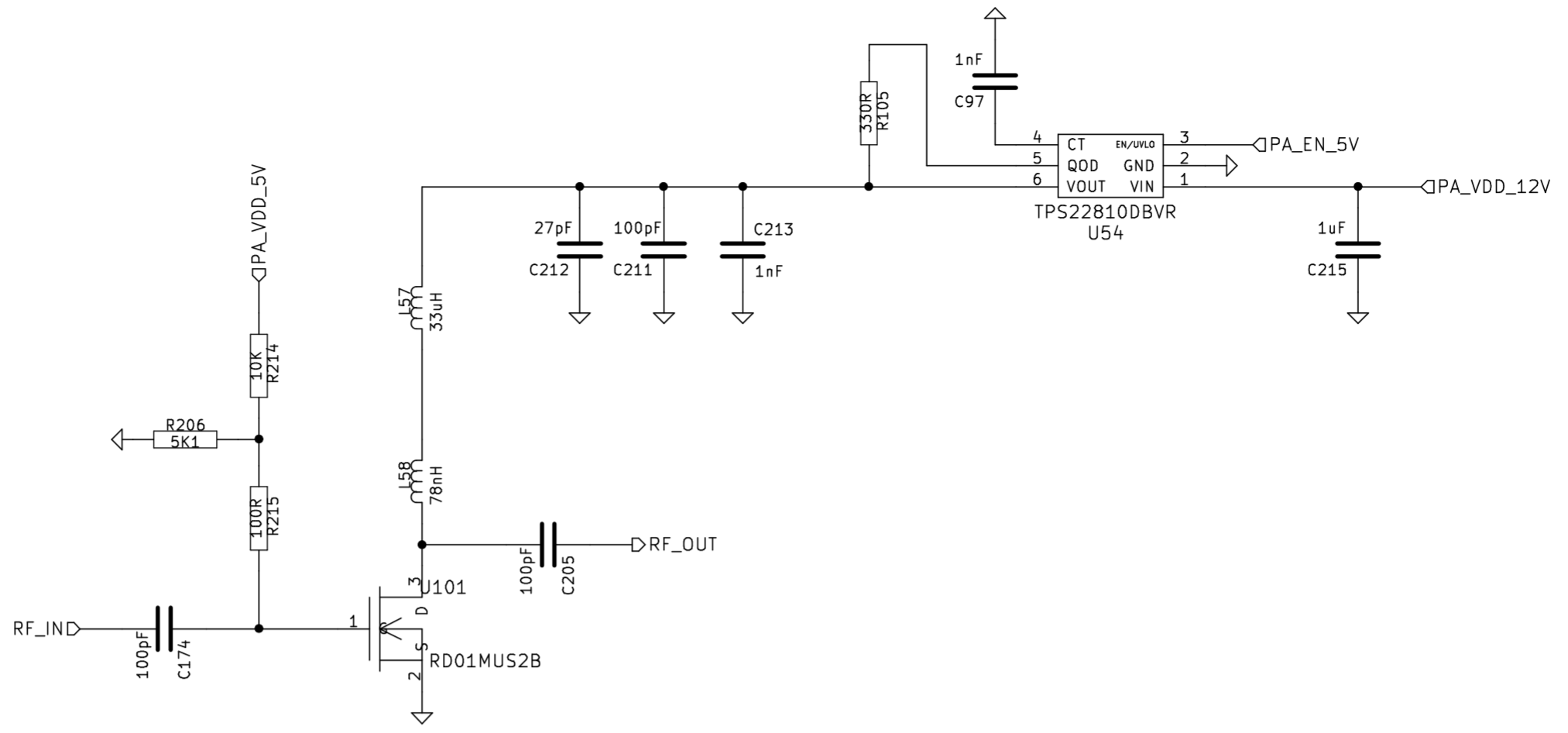
**Lime Microsystems**

Sheet: /TX\_H2/PA1280/  
File: PA1280.sch

**Title: LimeRFE**

Size: A4 Date: 2019-07-12  
KiCad E.D.A. kicad 4.0.7

**Rev: 1v0**  
Id: 37/57



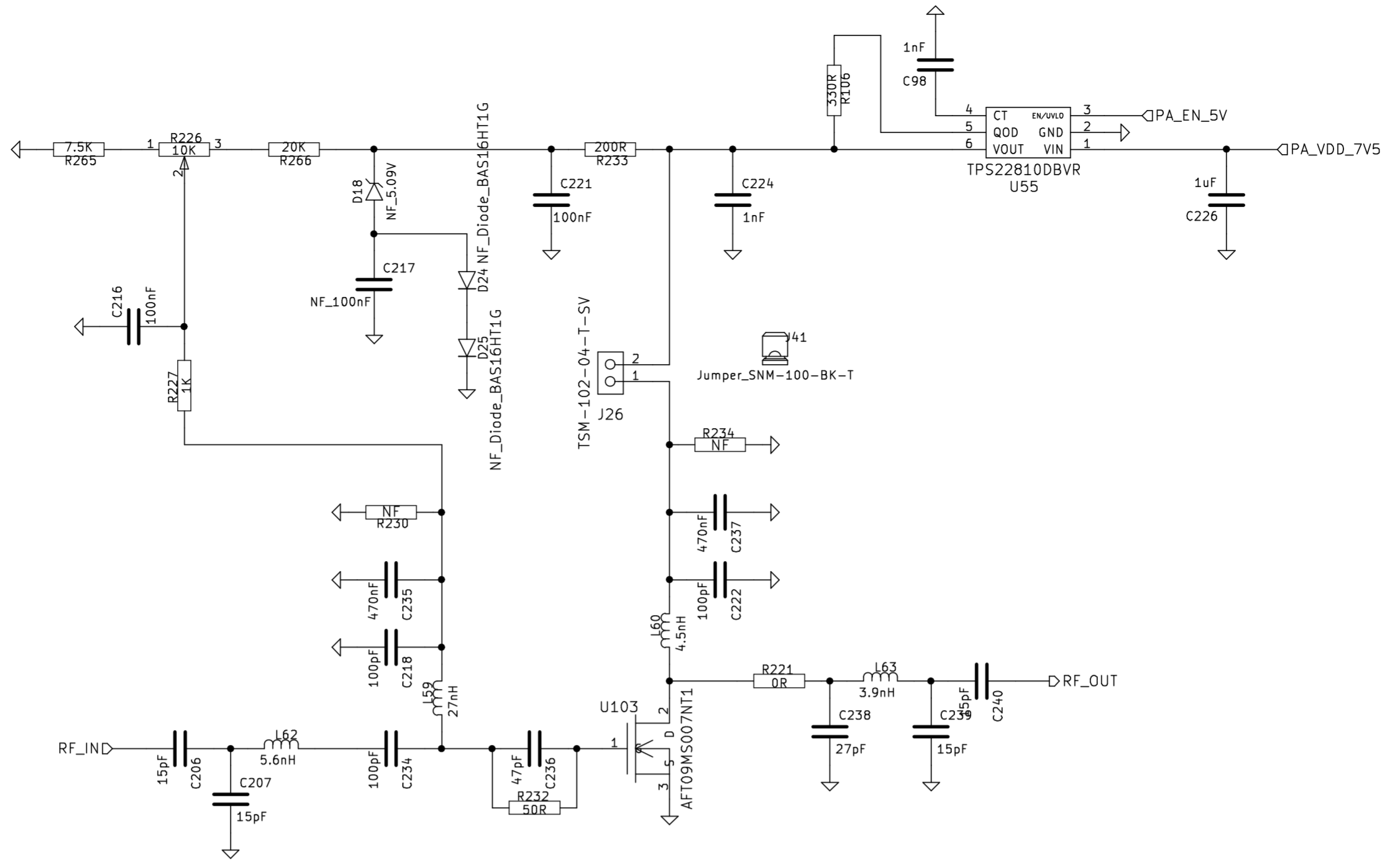
**Lime Microsystems**

Sheet: /TX\_H2/PA1000/  
File: PA1000.sch

**Title: LimeRFE**

Size: A4 Date: 2019-07-12  
KiCad E.D.A. kicad 4.0.7

**Rev: 1v0**  
Id: 38/57



Sheet: /TX\_H2/PA435/  
File: PA435.sch

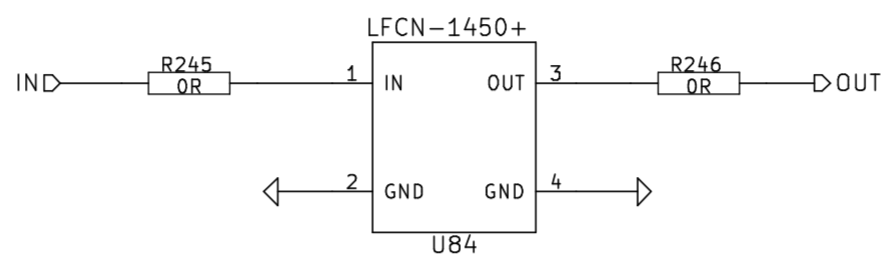
**Title: LimeRFE**

Size: A4 Date: 2019-07-12

KiCad E.D.A. kicad 4.0.7

**Rev: 1v0**

Id: 39/57



Sheet: /TX\_H2/LPF1280/  
 File: LPF1280.sch

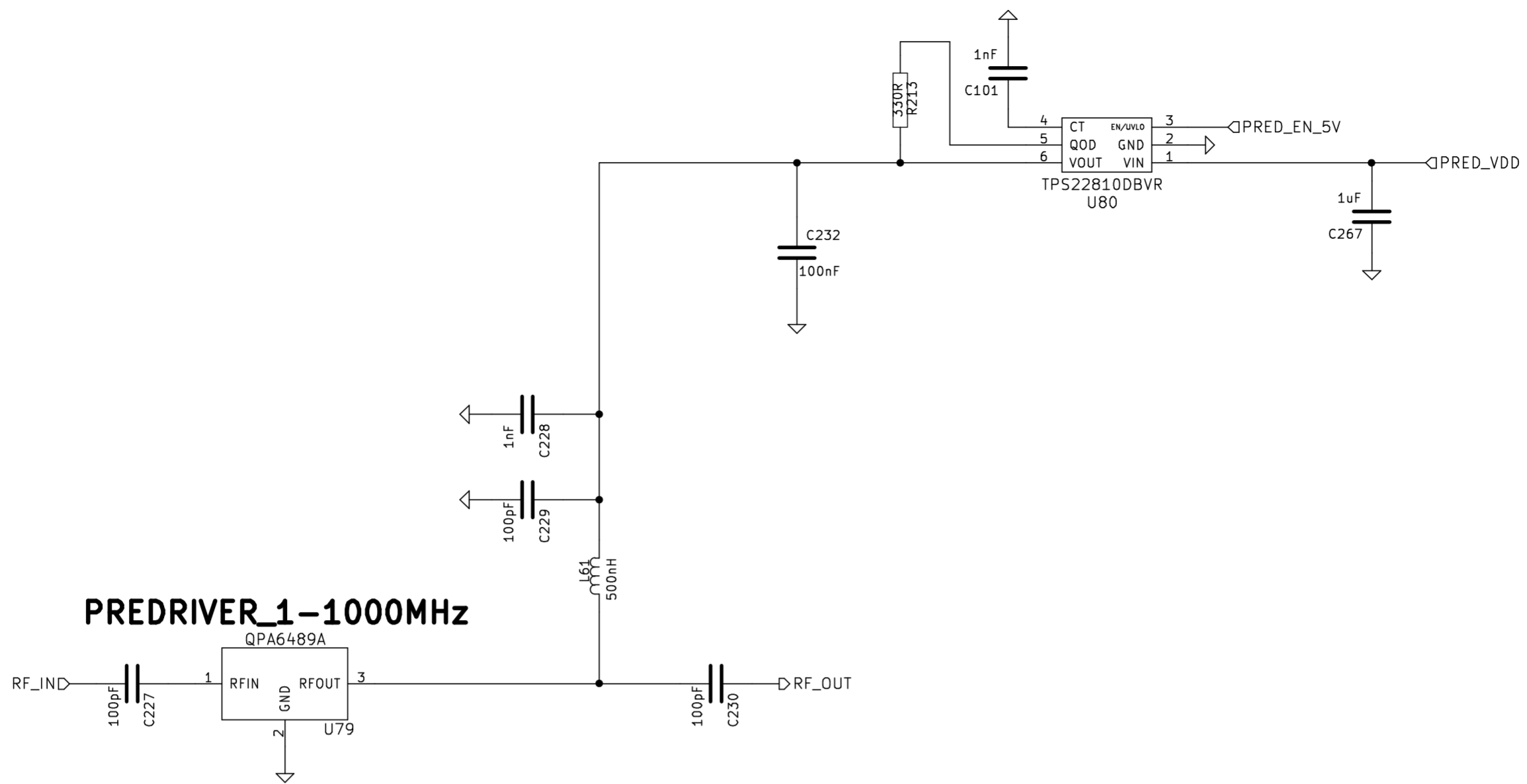
**Title: LimeRFE**

Size: A4 Date: 2019-07-12  
 KiCad E.D.A. kicad 4.0.7

**Rev: 1v0**  
 Id: 40/57







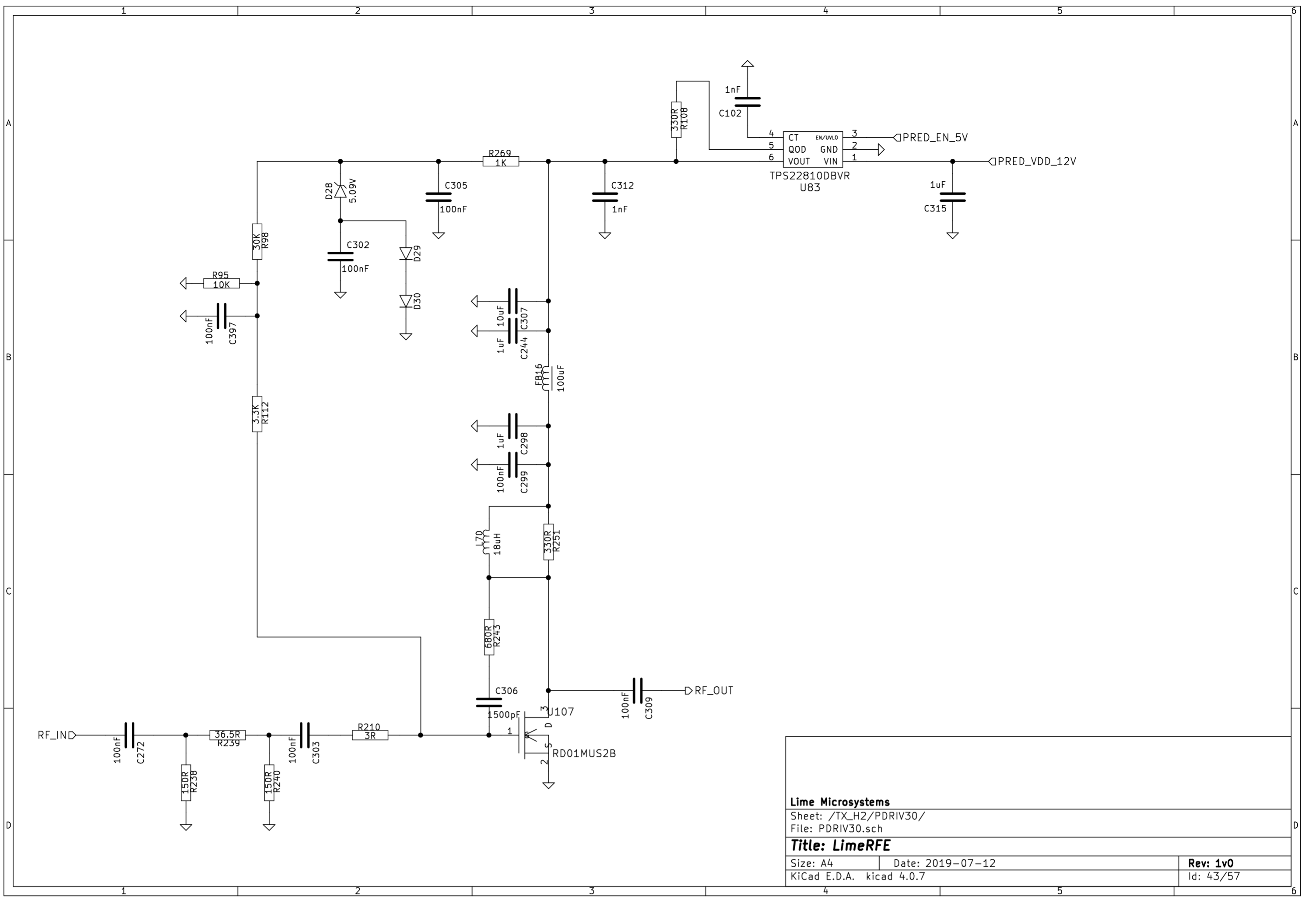
**Lime Microsystems**

Sheet: /TX\_H2/PDRIV1000/  
File: PDRIV1000.sch

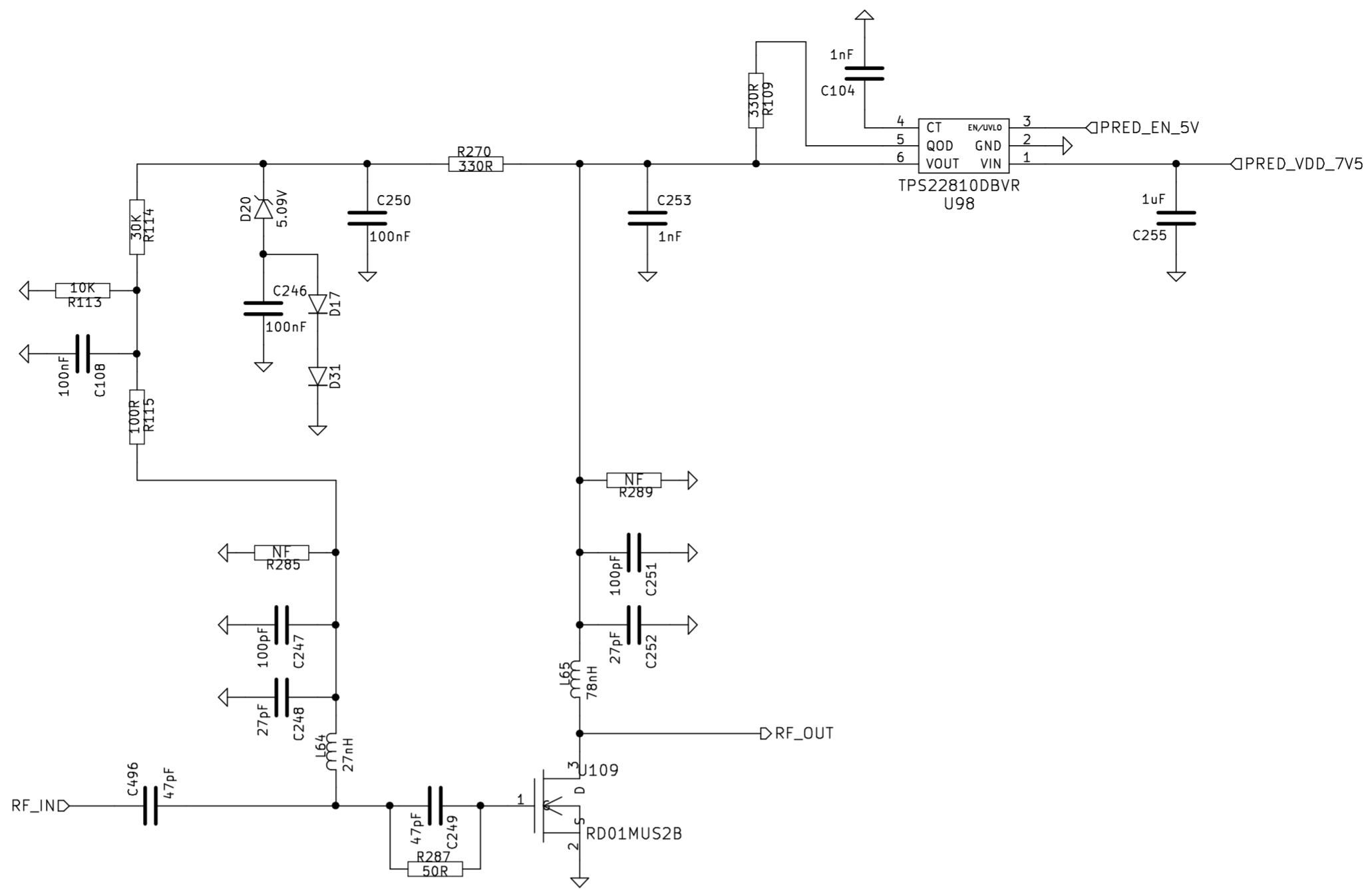
**Title: LimeRFE**

Size: A4 Date: 2019-07-12  
KiCad E.D.A. kicad 4.0.7

**Rev: 1v0**  
Id: 42/57



**Lime Microsystems**  
 Sheet: /TX\_H2/PDRIV30/  
 File: PDRIV30.sch  
**Title: LimeRFE**  
 Size: A4      Date: 2019-07-12      **Rev: 1v0**  
 KiCad E.D.A. kicad 4.0.7      Id: 43/57



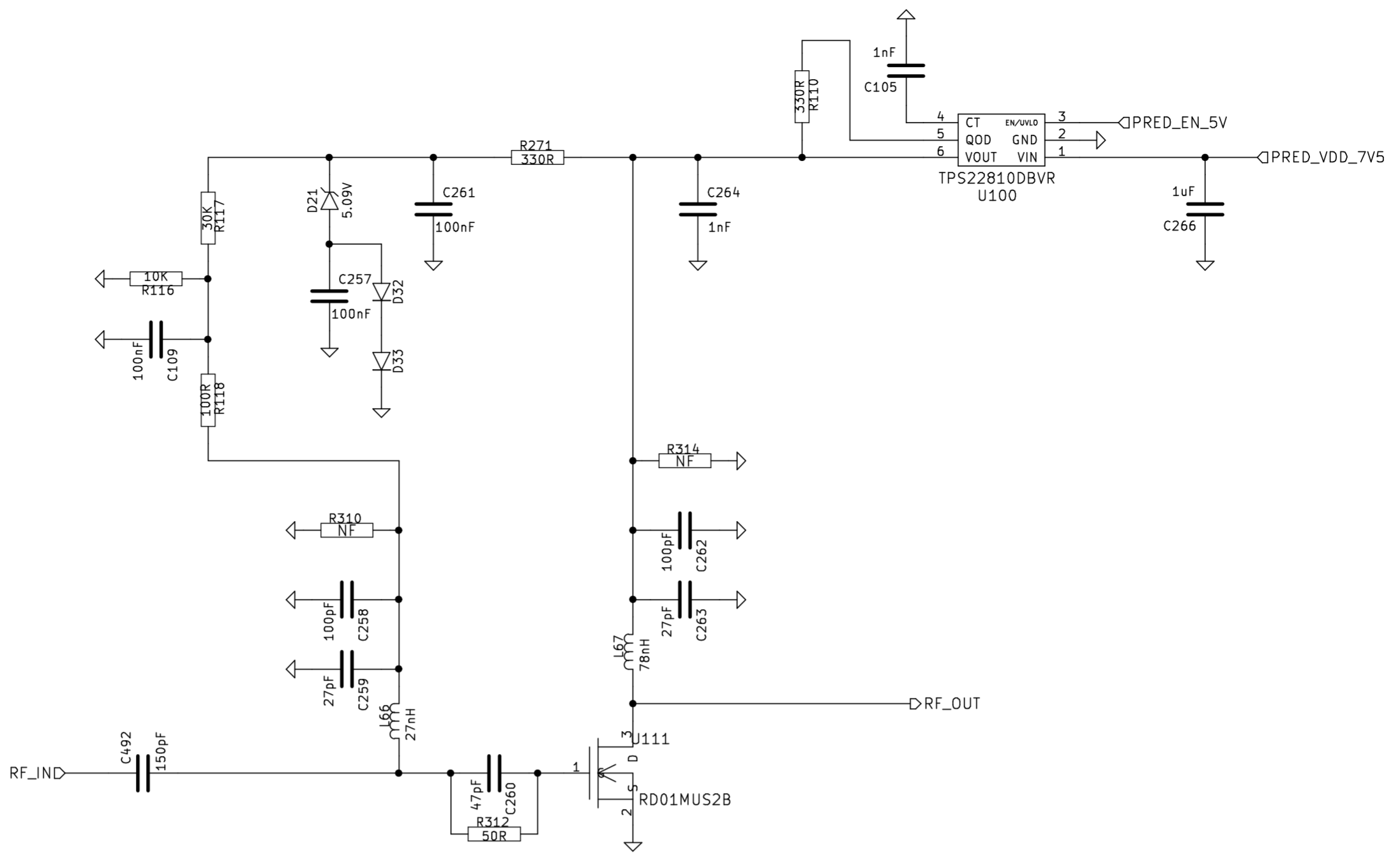
**Lime Microsystems**

Sheet: /TX\_H2/PDRIV435/  
File: PRIV435.sch

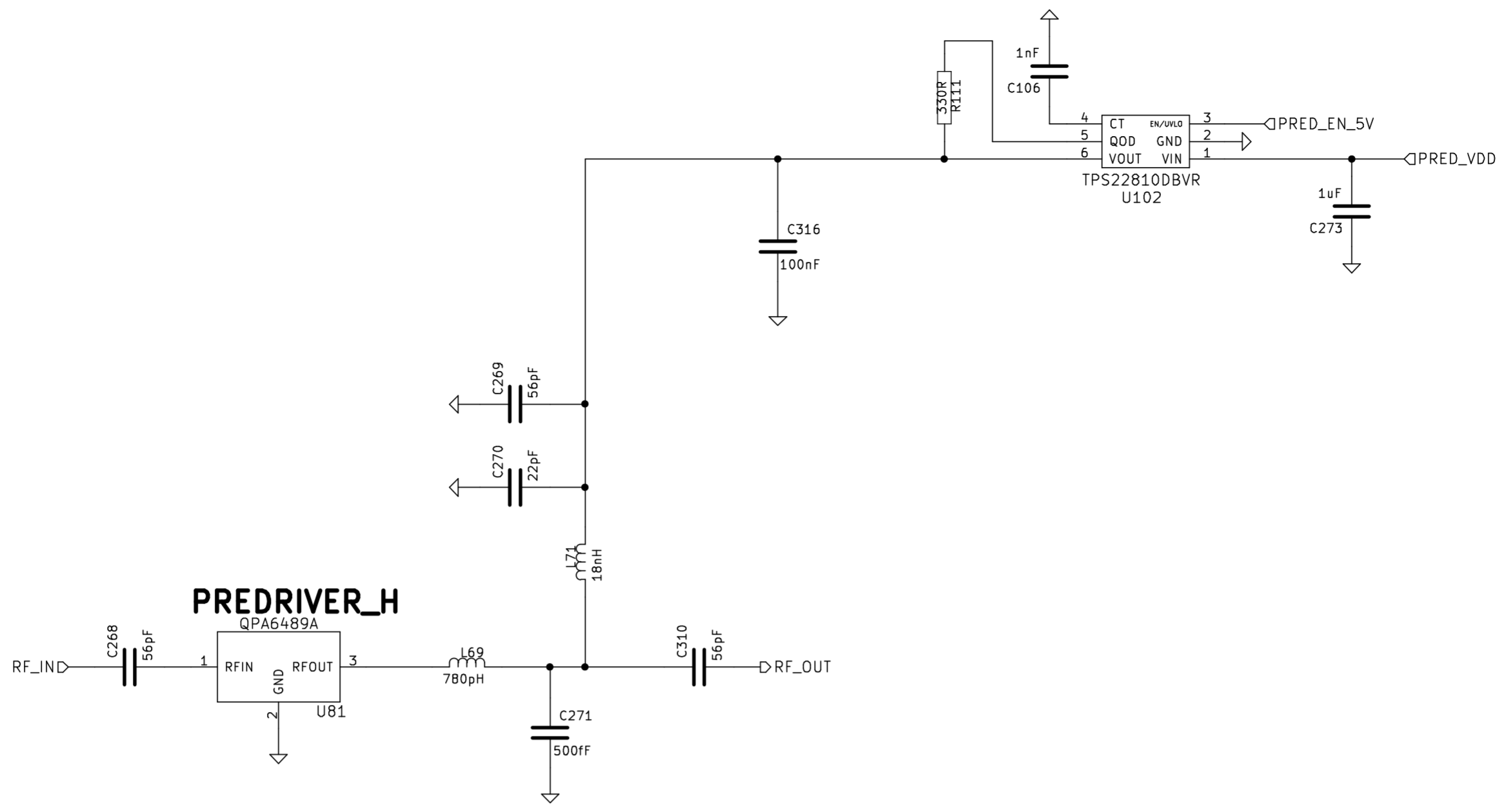
**Title: LimeRFE**

Size: A4 Date: 2019-07-12  
KiCad E.D.A. kicad 4.0.7

**Rev: 1v0**  
Id: 44/57

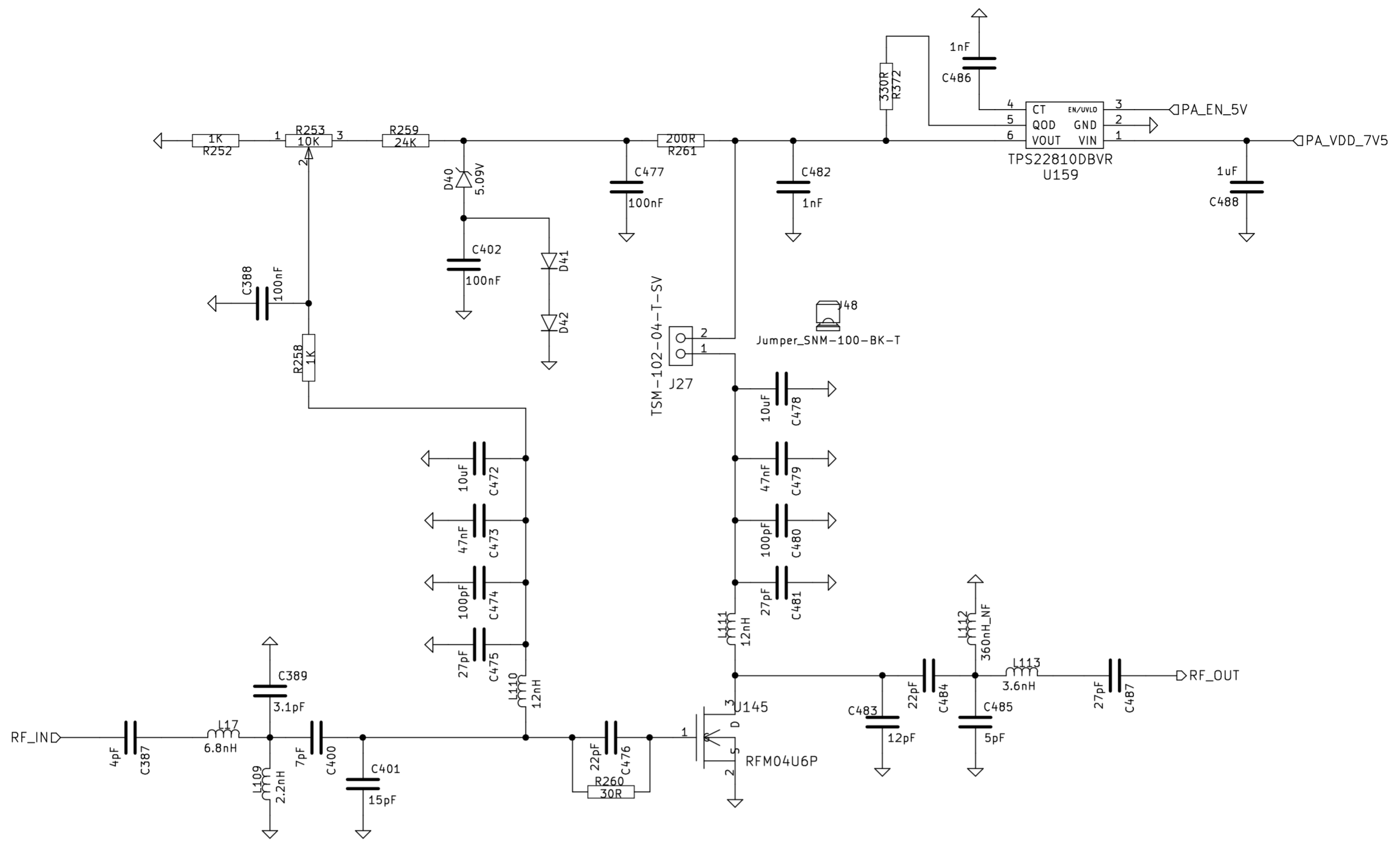


**Lime Microsystems**  
 Sheet: /TX\_H2/PDRIV145/  
 File: PDRIV145.sch  
**Title: LimeRFE**  
 Size: A4 Date: 2019-07-12 Rev: 1v0  
 KiCad E.D.A. kicad 4.0.7 Id: 45/57



Sheet: /TX\_H2/PREDRIVER\_H/  
 File: PREDRIVER\_H.sch  
**Title: LimeRFE**  
 Size: A4 Date: 2019-07-12 Rev: 1v0  
 KiCad E.D.A. kicad 4.0.7 Id: 46/57





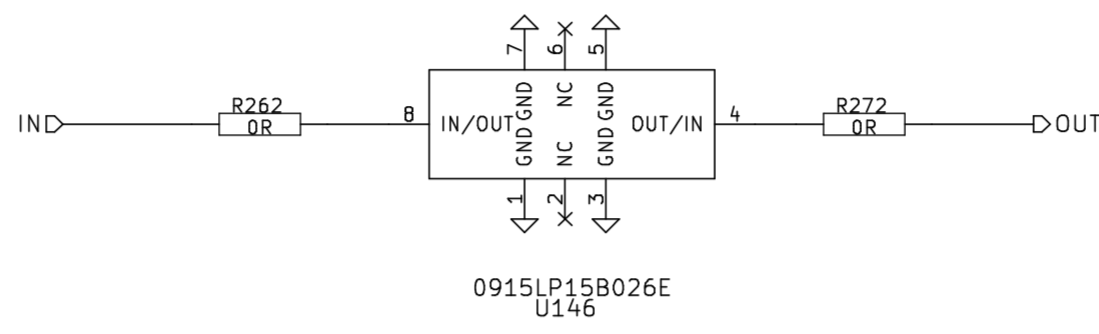
Sheet: /TX\_H2/PA\_920/  
File: PA\_920.sch

**Title: LimeRFE**

Size: A4 Date: 2019-07-12  
KiCad E.D.A. kicad 4.0.7

**Rev: 1v0**  
Id: 48/57



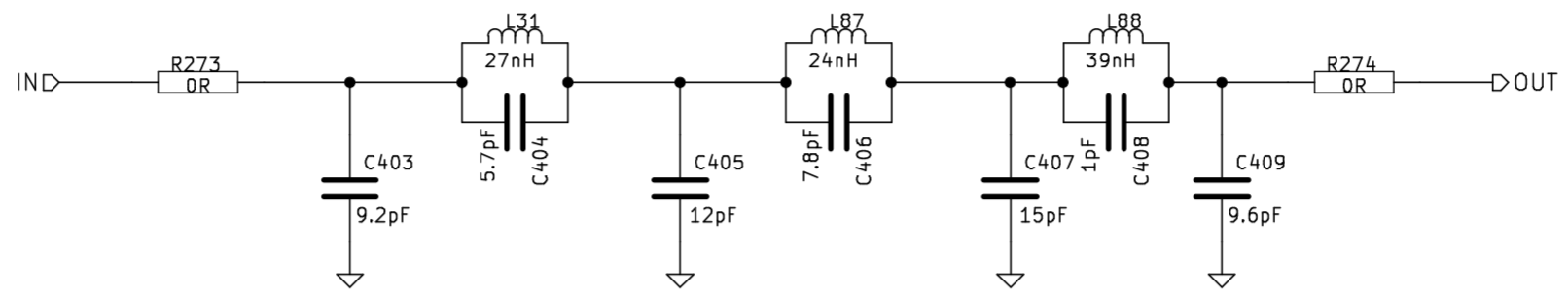


Sheet: /TX\_H2/LPF920/  
File: LPF920.sch

**Title: LimeRFE**

Size: A4 Date: 2019-07-12  
KiCad E.D.A. kicad 4.0.7

**Rev: 1v0**  
Id: 49/57

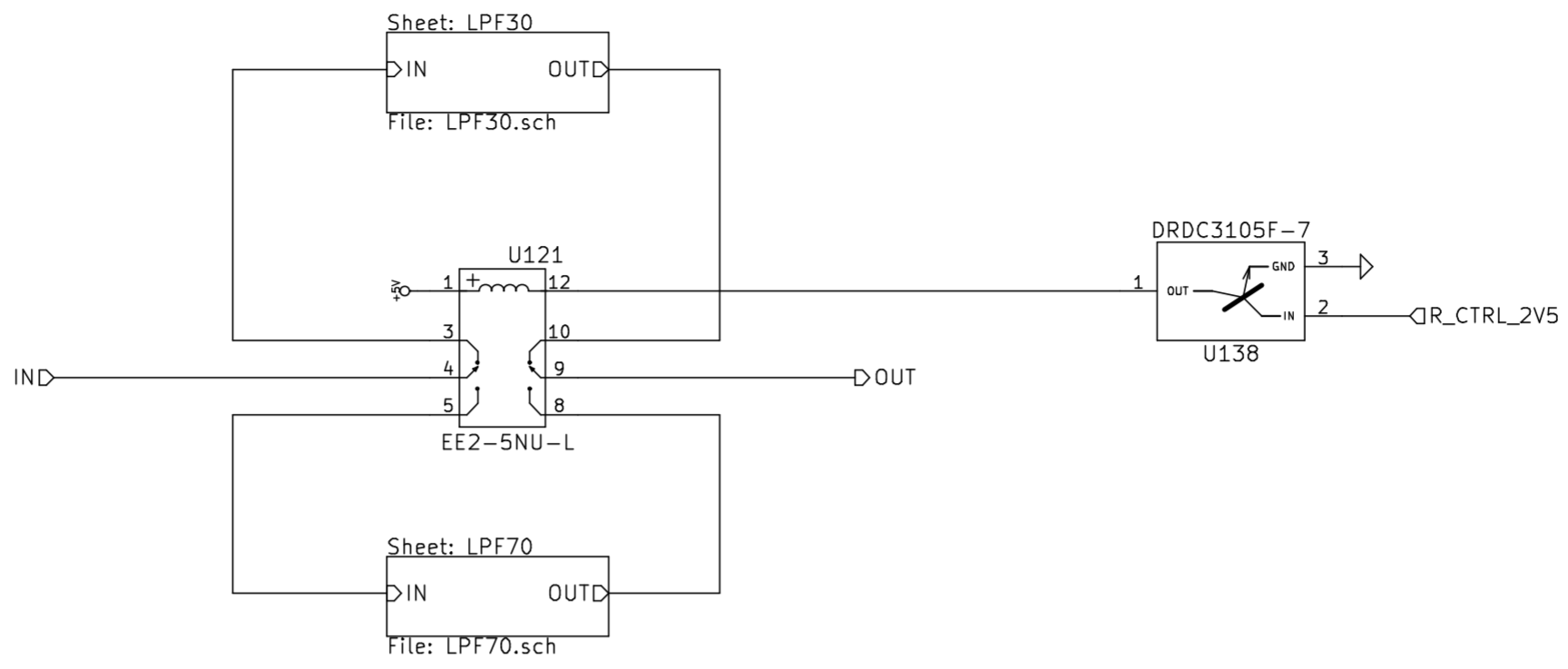


Sheet: /TX\_H2/LPF220/  
 File: LPF220.sch

**Title: LimeRFE**

Size: A4 Date: 2019-07-12  
 KiCad E.D.A. kicad 4.0.7

**Rev: 1v0**  
 Id: 50/57

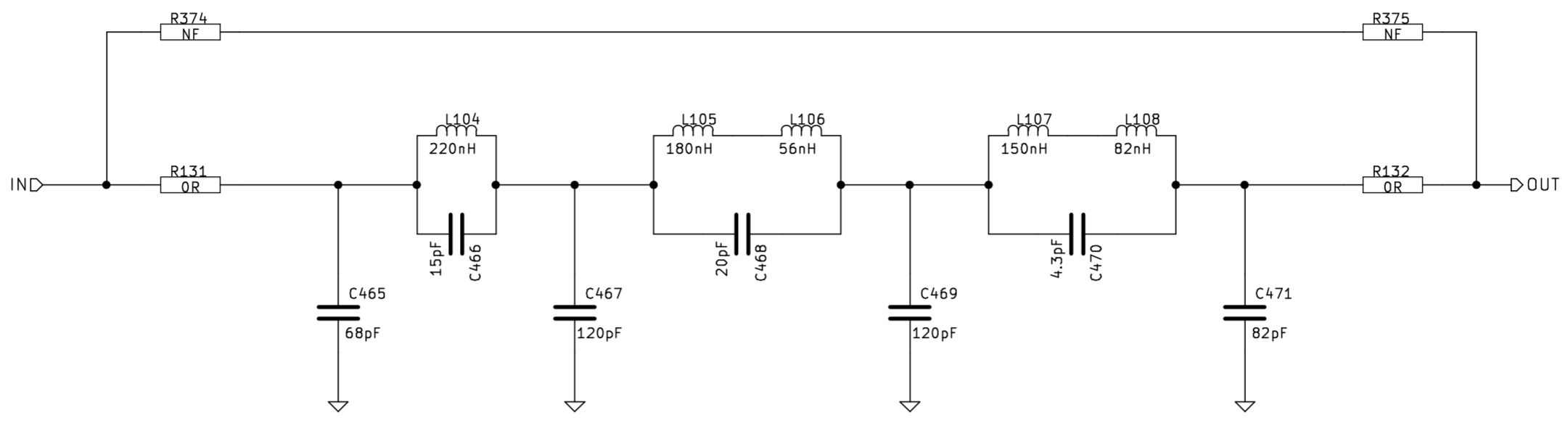


Sheet: /TX\_H2/HF\_BANK/  
File: HF\_BANK.sch

**Title: LimeRFE**

Size: A4 Date: 2019-07-12  
KiCad E.D.A. kicad 4.0.7

**Rev: 1v0**  
Id: 51/57

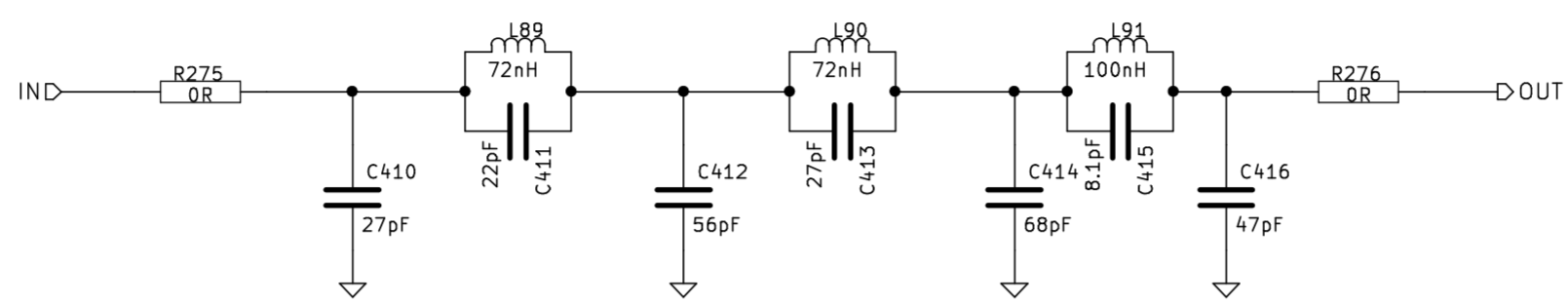


Sheet: /TX\_H2/HF\_BANK/LPF30/  
 File: LPF30.sch

**Title: LimeRFE**

Size: A4 Date: 2019-07-12  
 KiCad E.D.A. kicad 4.0.7

**Rev: 1v0**  
 Id: 52/57



Sheet: /TX\_H2/HF\_BANK/LPF70/  
 File: LPF70.sch

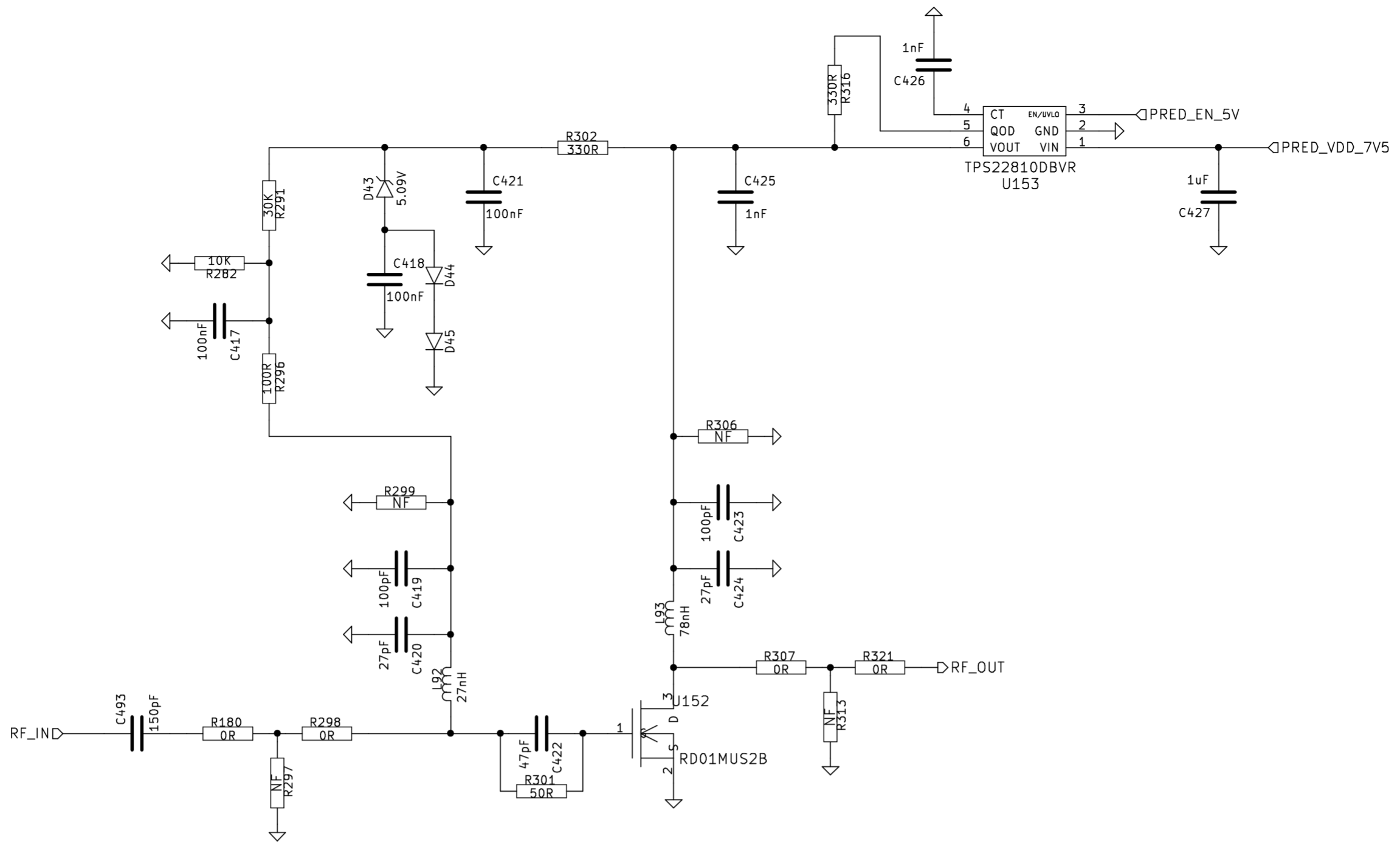
**Title: LimeRFE**

Size: A4 Date: 2019-07-12

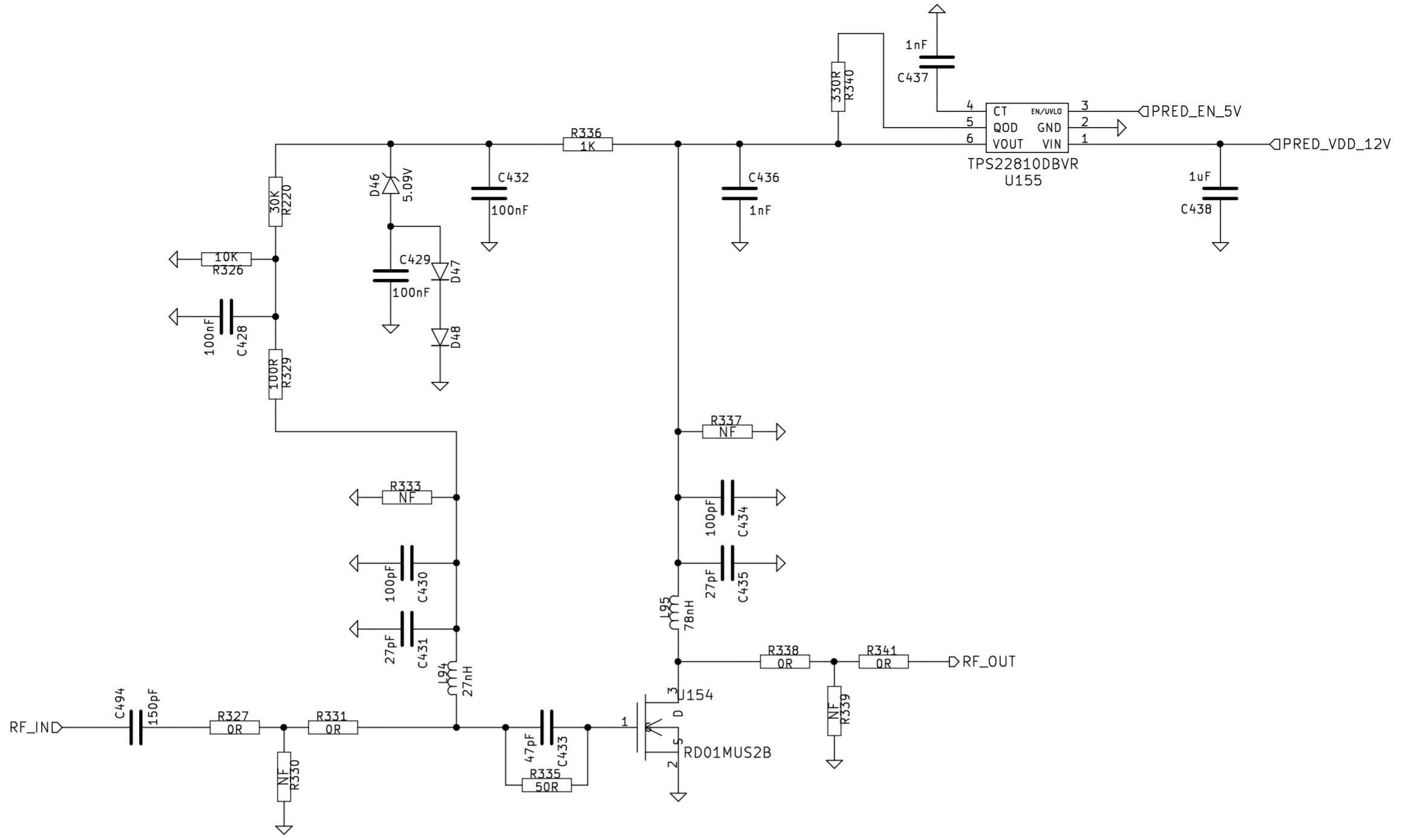
Rev: 1v0

KiCad E.D.A. kicad 4.0.7

Id: 53/57



**Lime Microsystems**  
 Sheet: /TX\_H2/PDRIV220/  
 File: PDRIV220.sch  
**Title: LimeRFE**  
 Size: A4 Date: 2019-07-12 Rev: 1v0  
 KiCad E.D.A. kicad 4.0.7 Id: 54/57

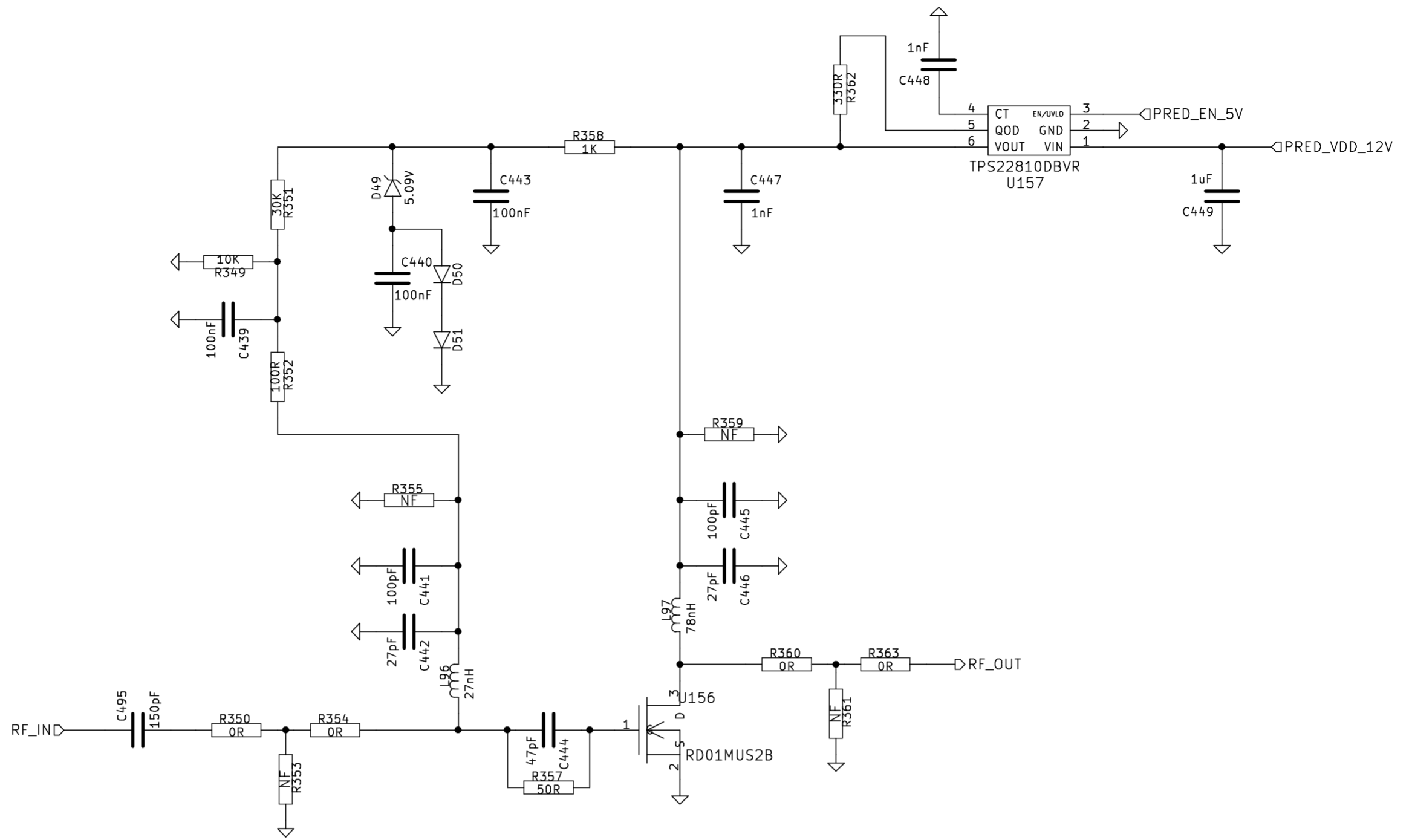


Sheet: /TX\_H2/PDRIV920/  
 File: PDRIV920.sch

**Title: LimeRFE**

Size: A4 Date: 2019-07-12  
 KiCad E.D.A. kicad 4.0.7

**Rev: 1v0**  
 Id: 55/57



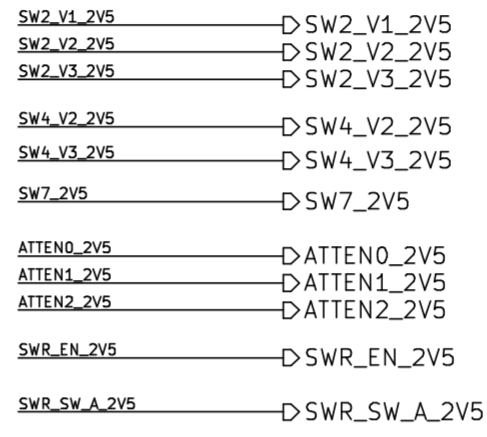
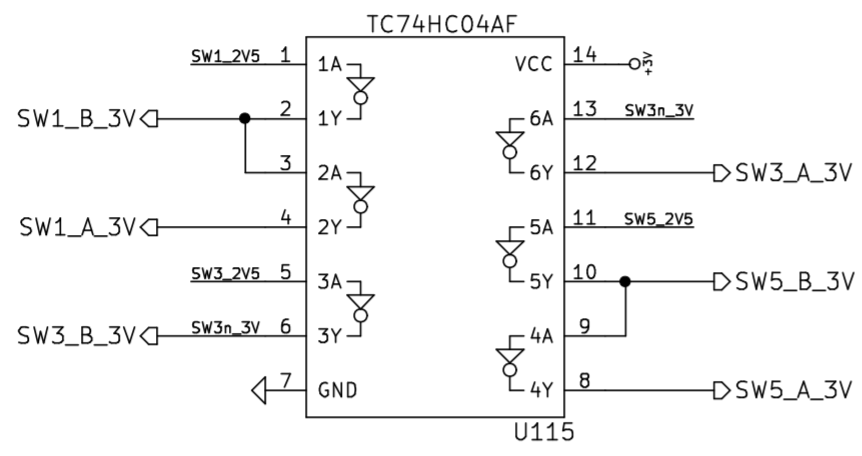
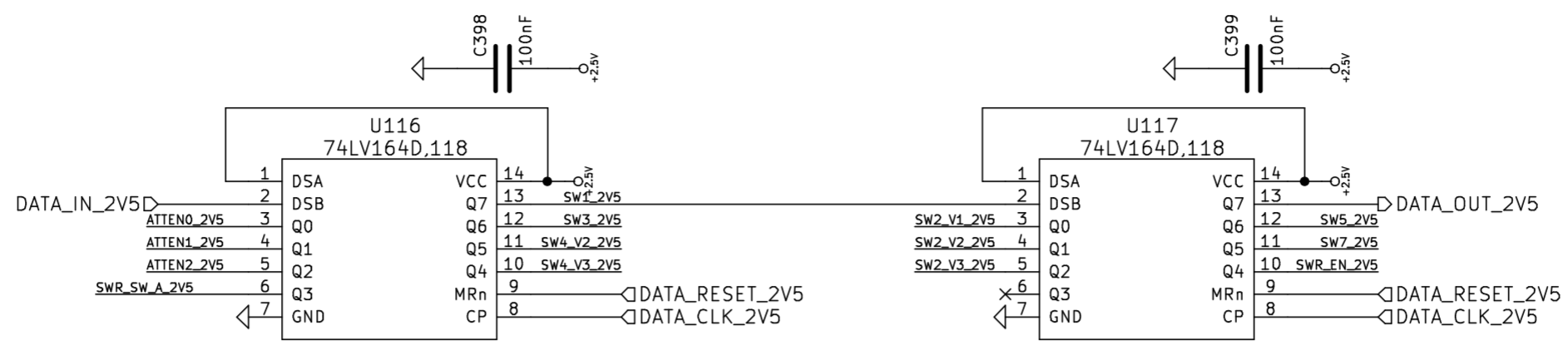
Sheet: /TX\_H2/PDRIV1280/  
 File: PDRIV1280.sch

**Title: LimeRF**

Size: A4 Date: 2019-07-12  
 KiCad E.D.A. kicad 4.0.7

**Rev: 1v0**  
 Id: 56/57





Sheet: /TOP\_CTR/  
File: TOP\_CTRL.sch

**Title: LimeRFE**

Size: A4 Date: 2019-07-12

KiCad E.D.A. kicad 4.0.7

**Rev: 1v0**

Id: 57/57