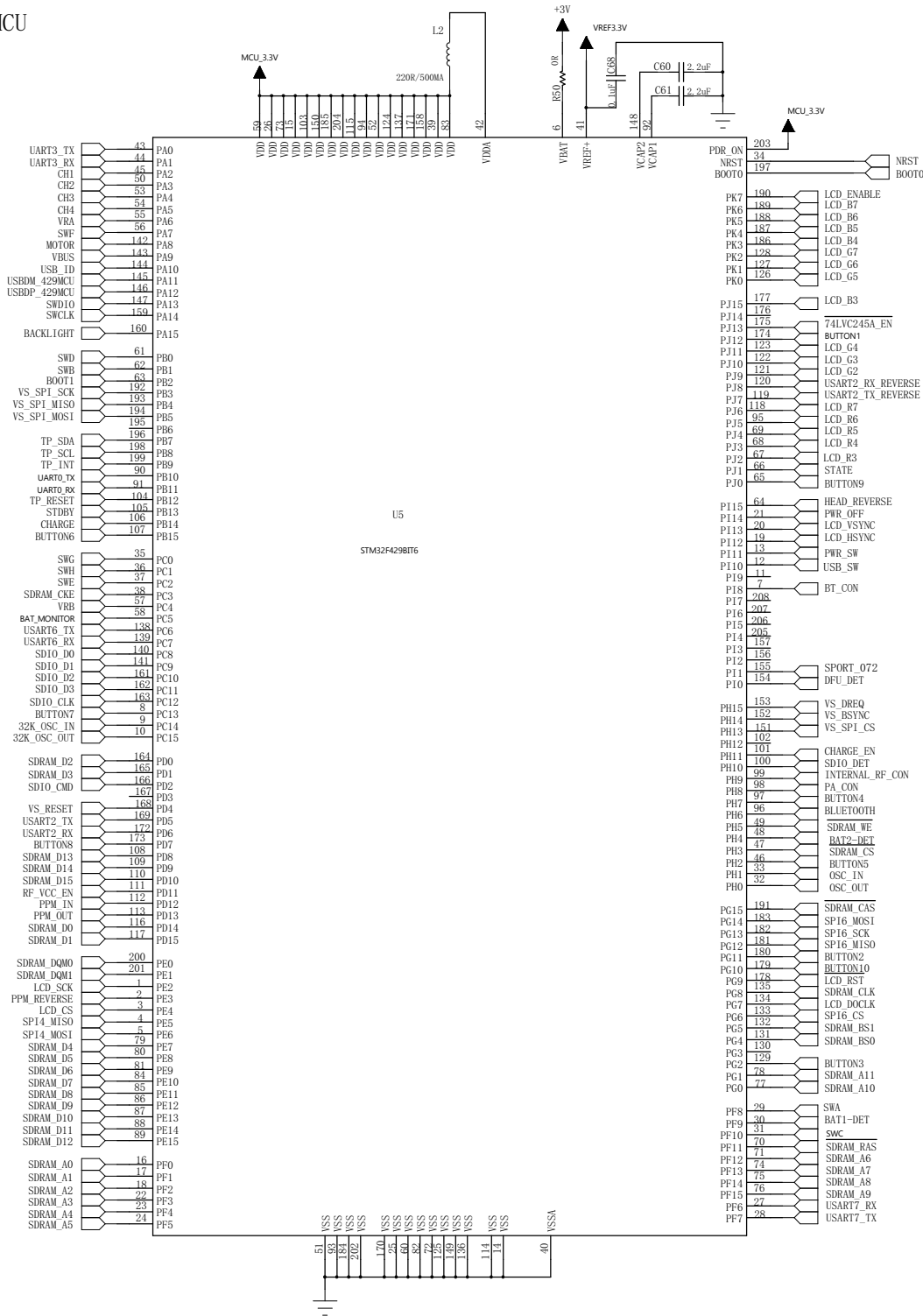
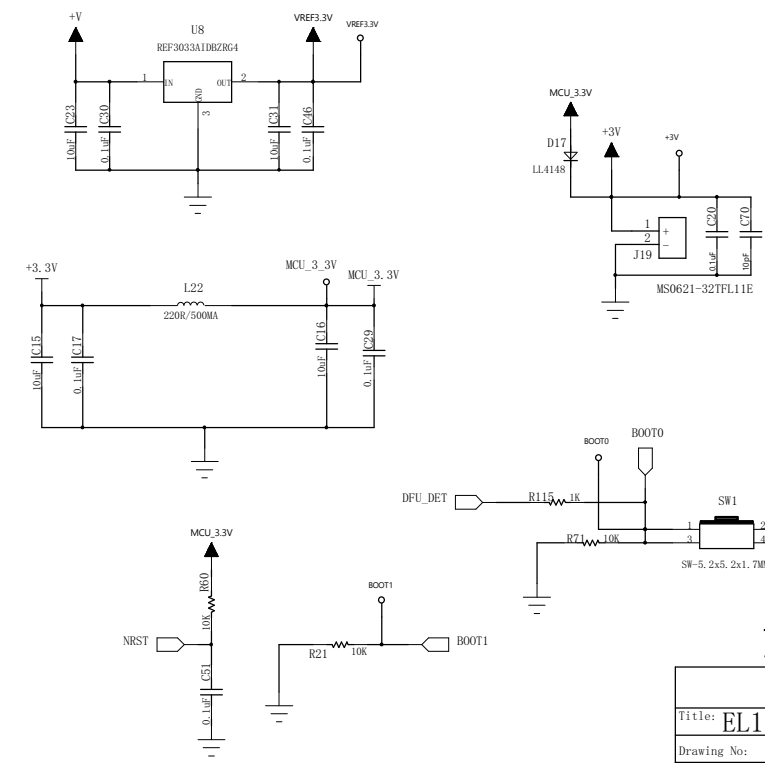
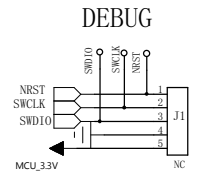
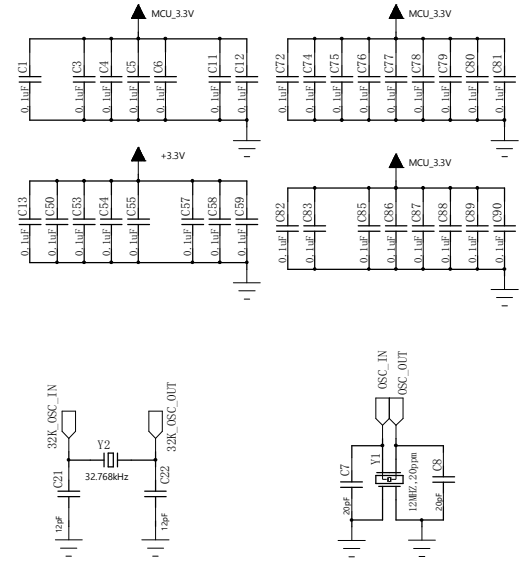


MCU

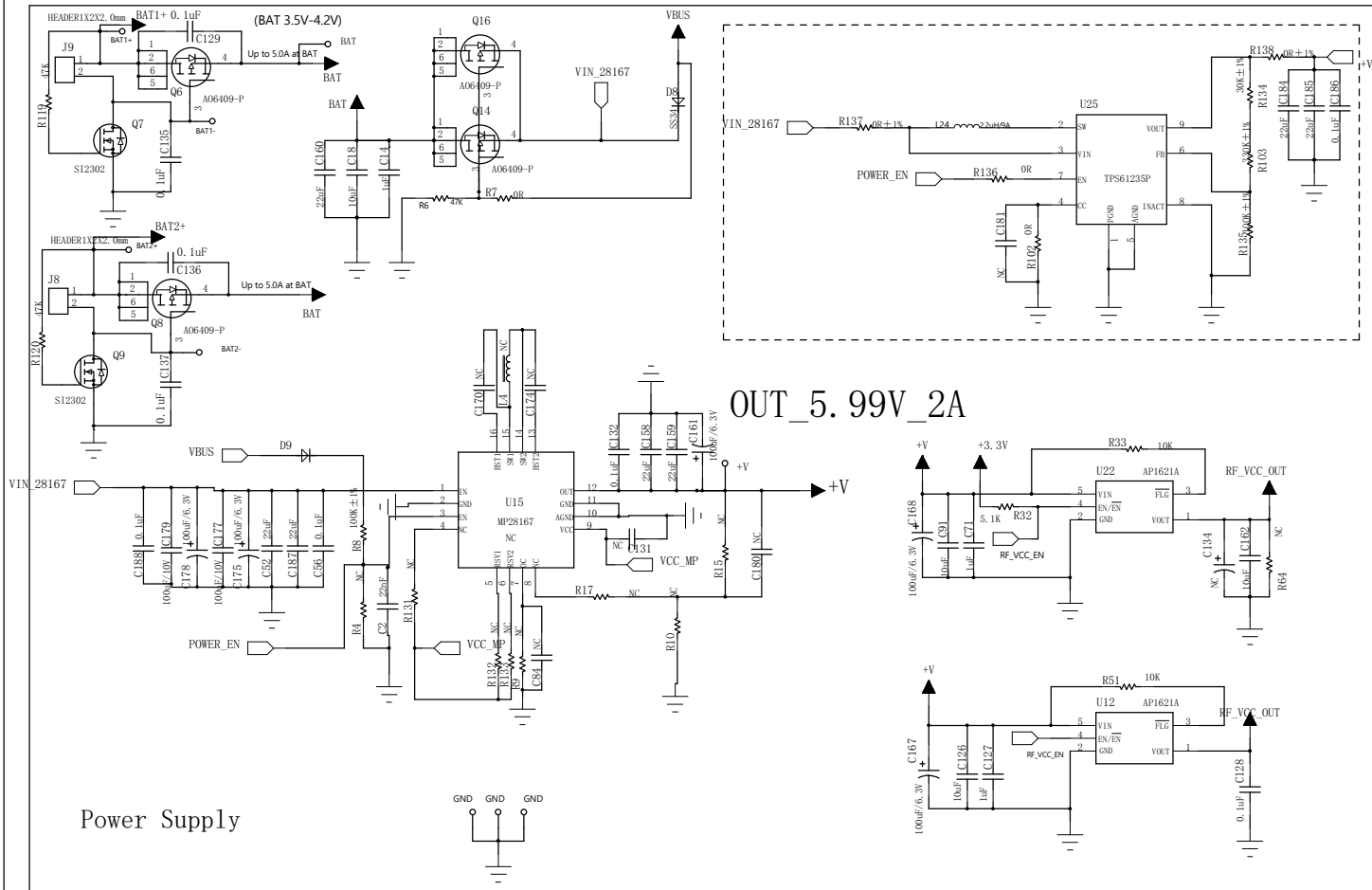


U5
STM32F429BT6



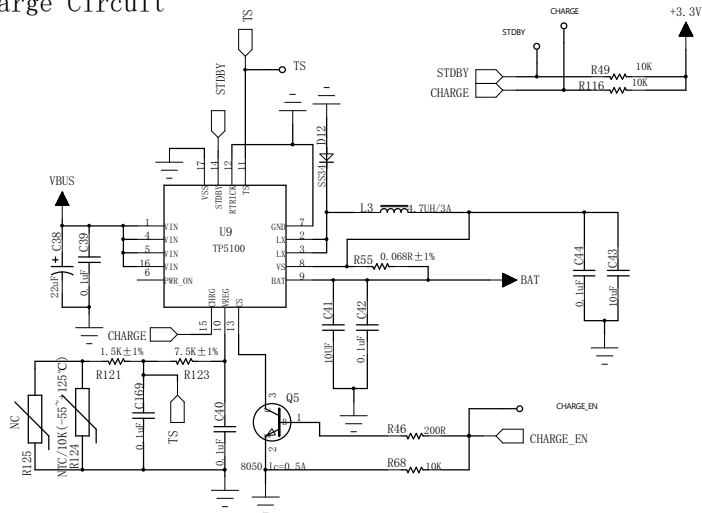
通瑞英

Title: EL18	
Drawing No:	Version: V1.0
Drawn By: MXM	Date: 2022.05.31
Size: A3	Sheet: 1 of 6

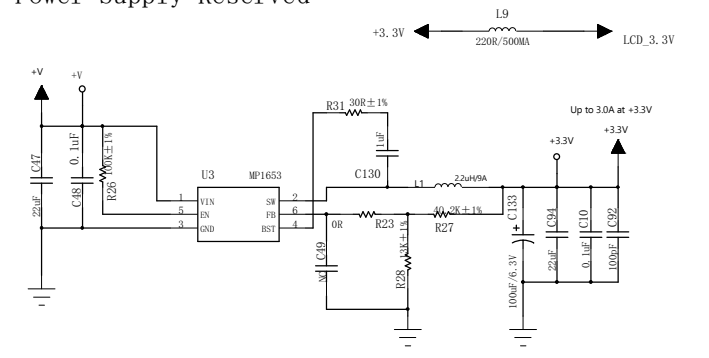


Power Supply

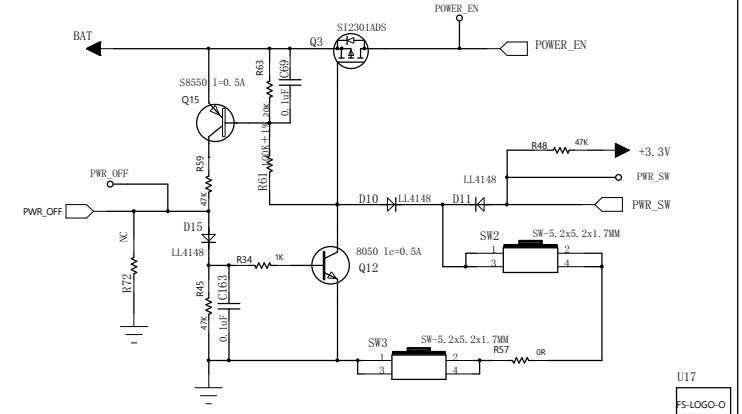
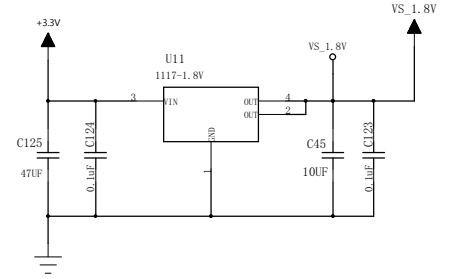
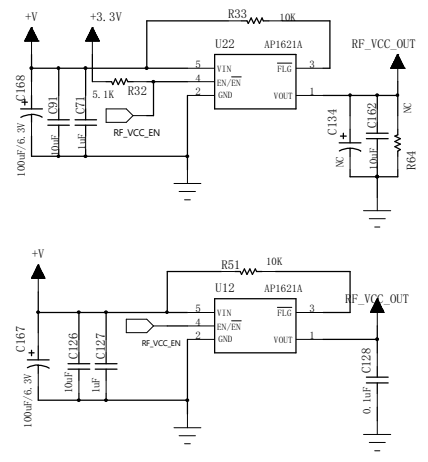
Charge Circuit



Power Supply Reserved



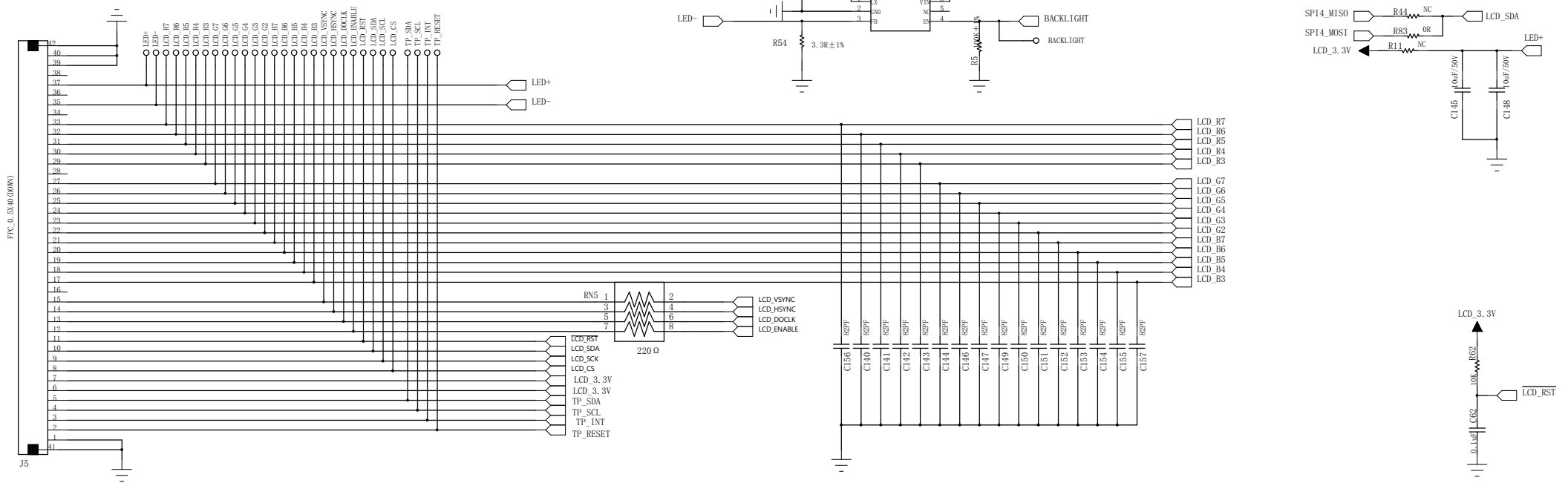
Soft Switch & MP3 Audio Decoder Power Supply



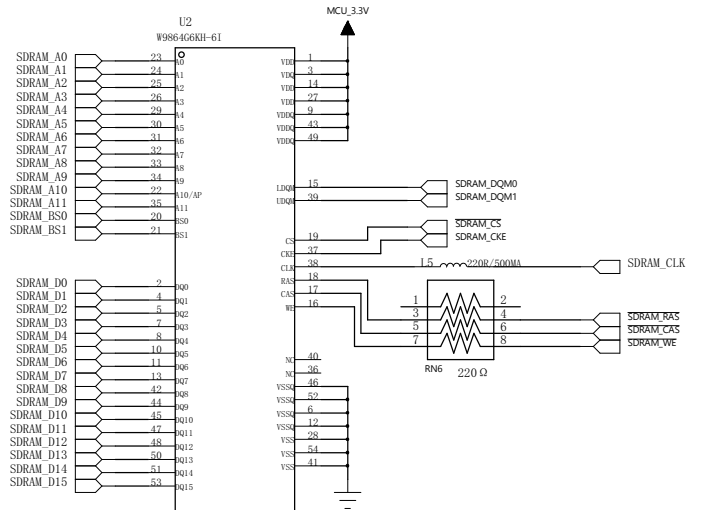
Handwritten signature: 孟祥发

Title: EL18	
Drawing No:	Version: V1.0
Drawn By: MMX	Date: 2022.05.31
Size: A3	Sheet: 2 of 6

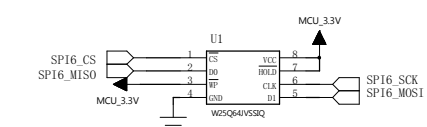
LCD Screen



SDRAM



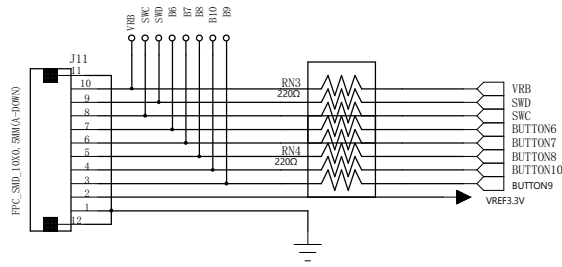
SPI Flash



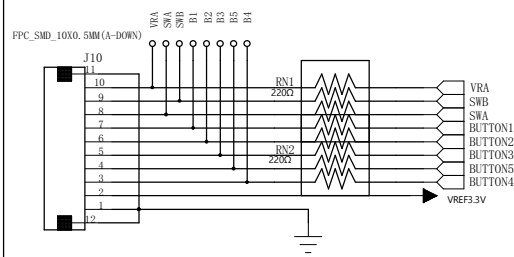
Handwritten signature: 孟瑞英

Title: EL18		VS_1.8V	
Drawing No:		Version:	V1.0
Drawn By:	MXM	Date:	2022.05.31
Size:	A3	Sheet:	3 of 6

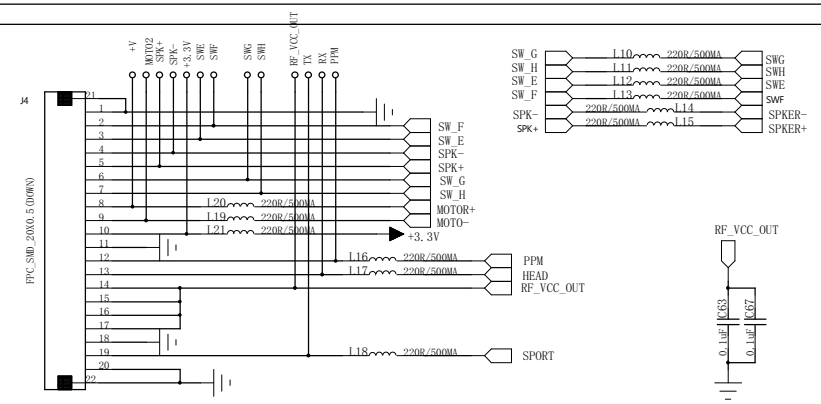
RT Port



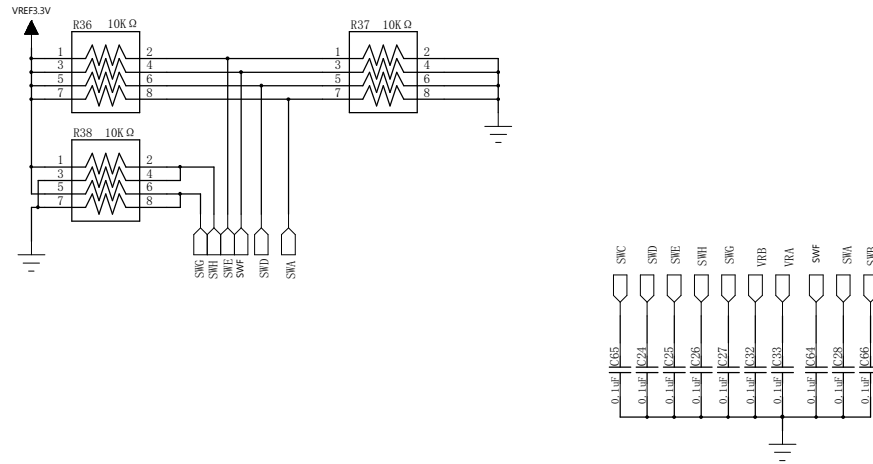
LT Port



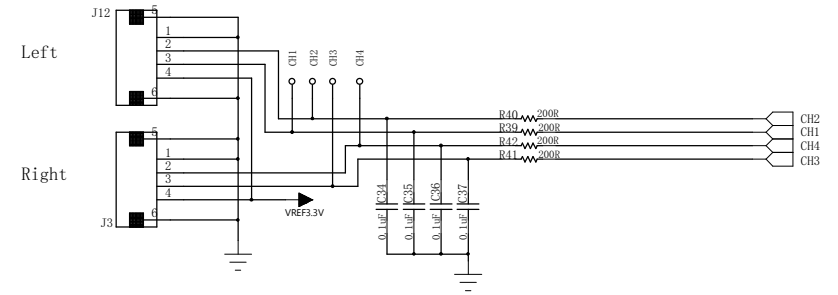
LJ & RJ Port



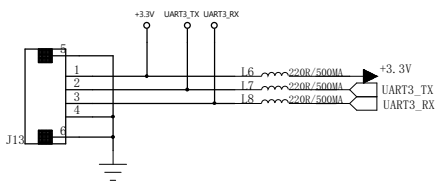
Switches



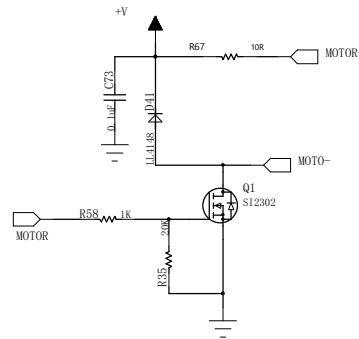
Gimbals



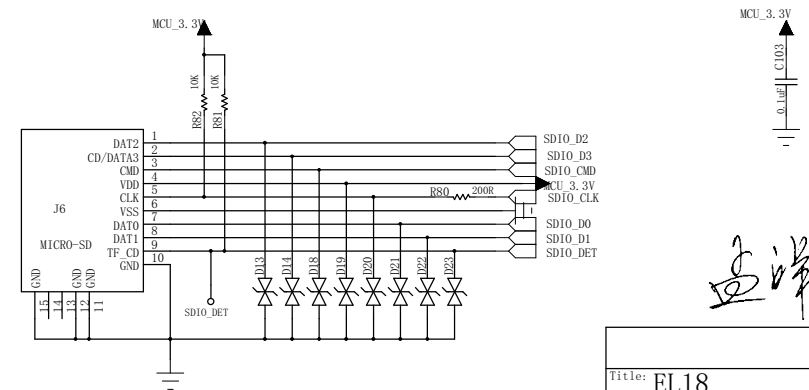
霍尔总成座 PROT



Haptic Feedback Motor



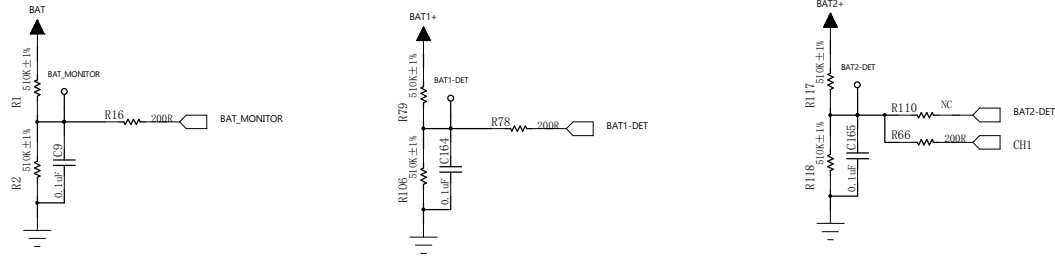
SD Card



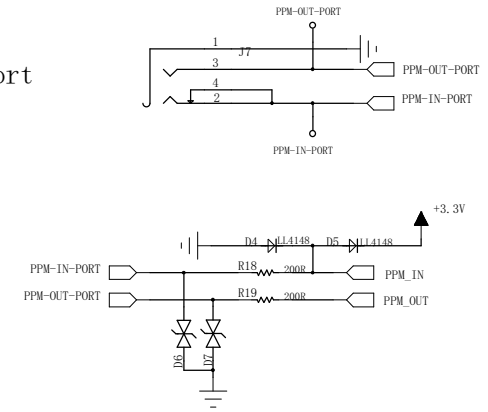
马瑞英

Title: EL18	
Drawing No:	Version: V1.0
Drawn By: MXM	Date: 2022.05.31
Size: A3	Sheet: 4 of 6

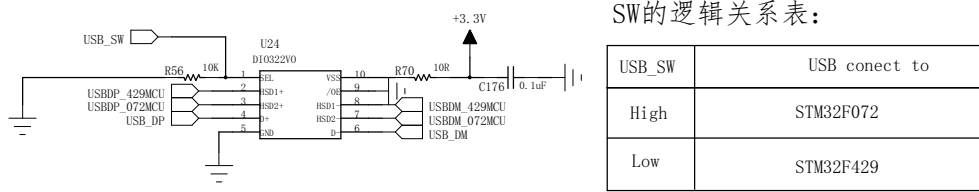
BAT Monitor & BAT DET



Trainer Port

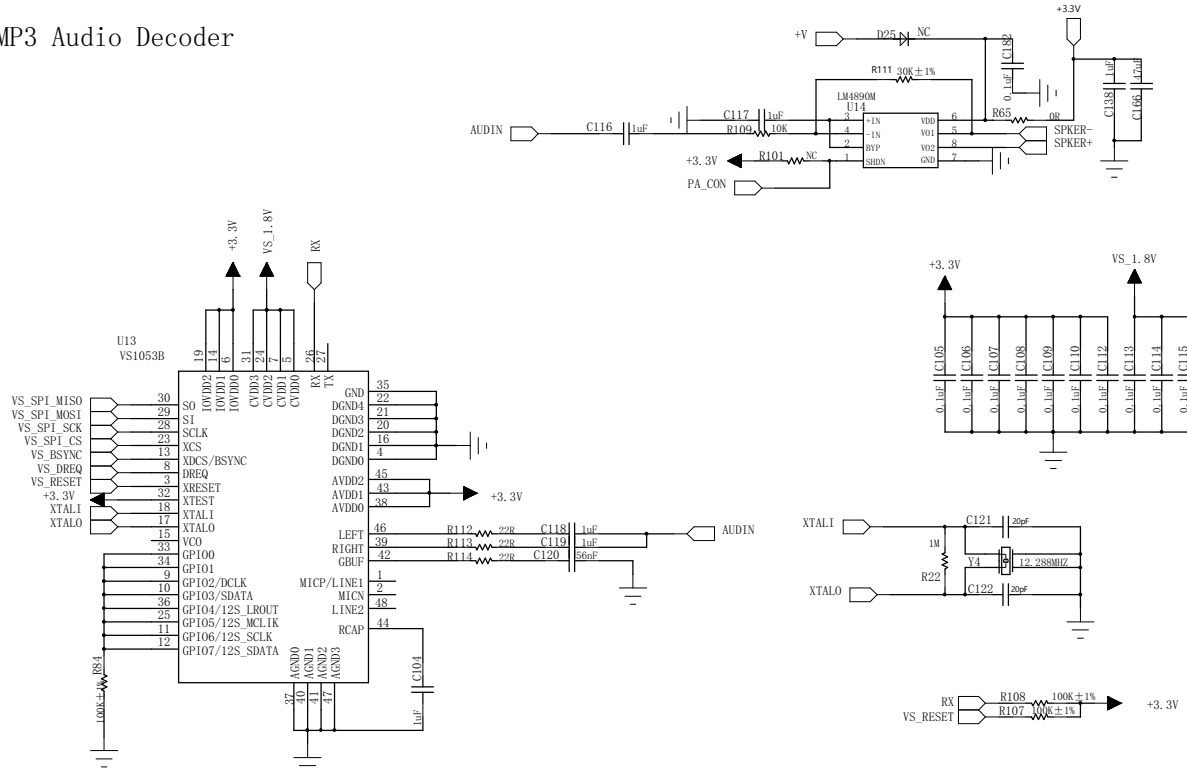


USB_Switch

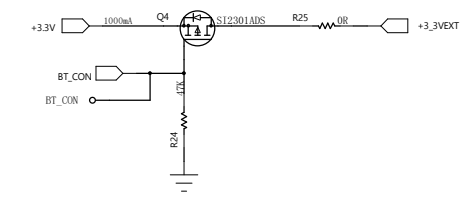
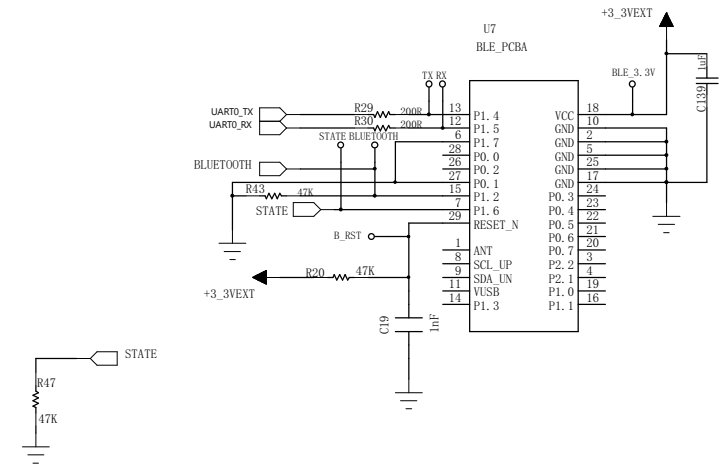


SW的逻辑关系表:

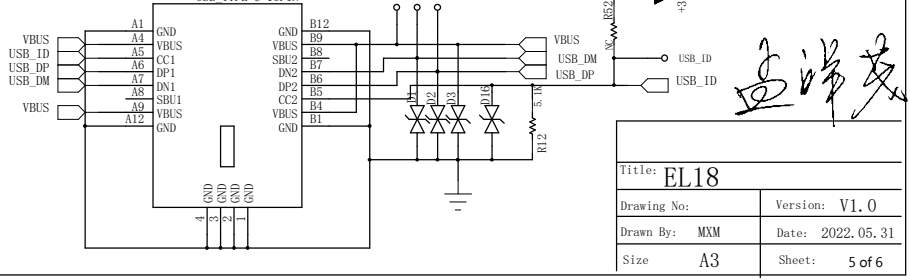
MP3 Audio Decoder



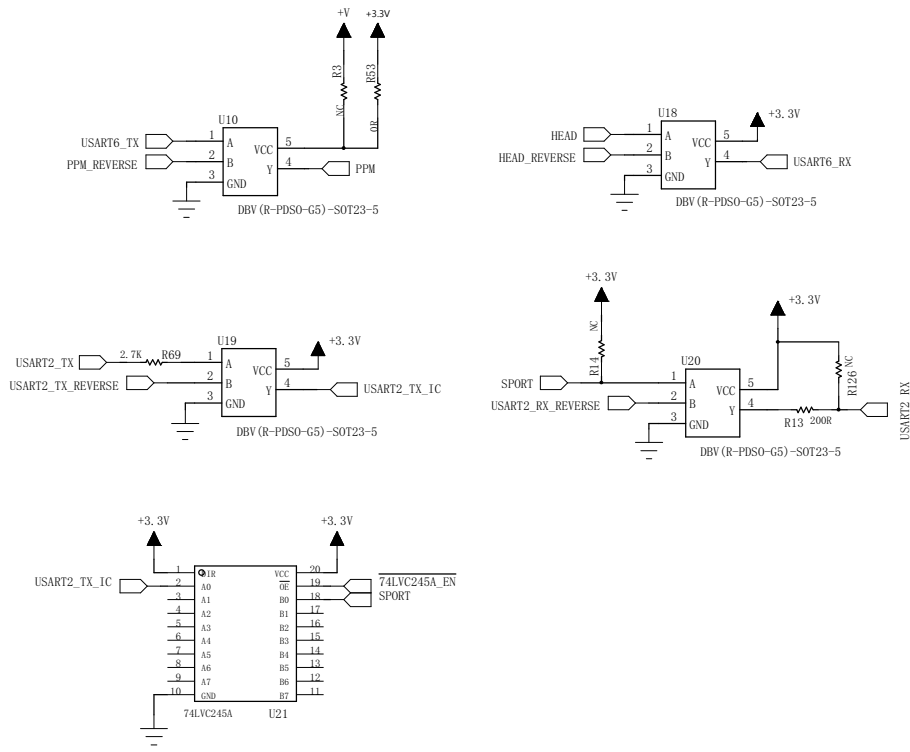
lay板#A100-A104, P1010/11位置可换.



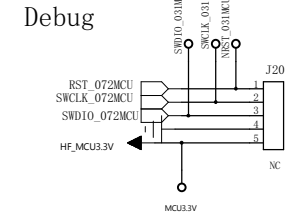
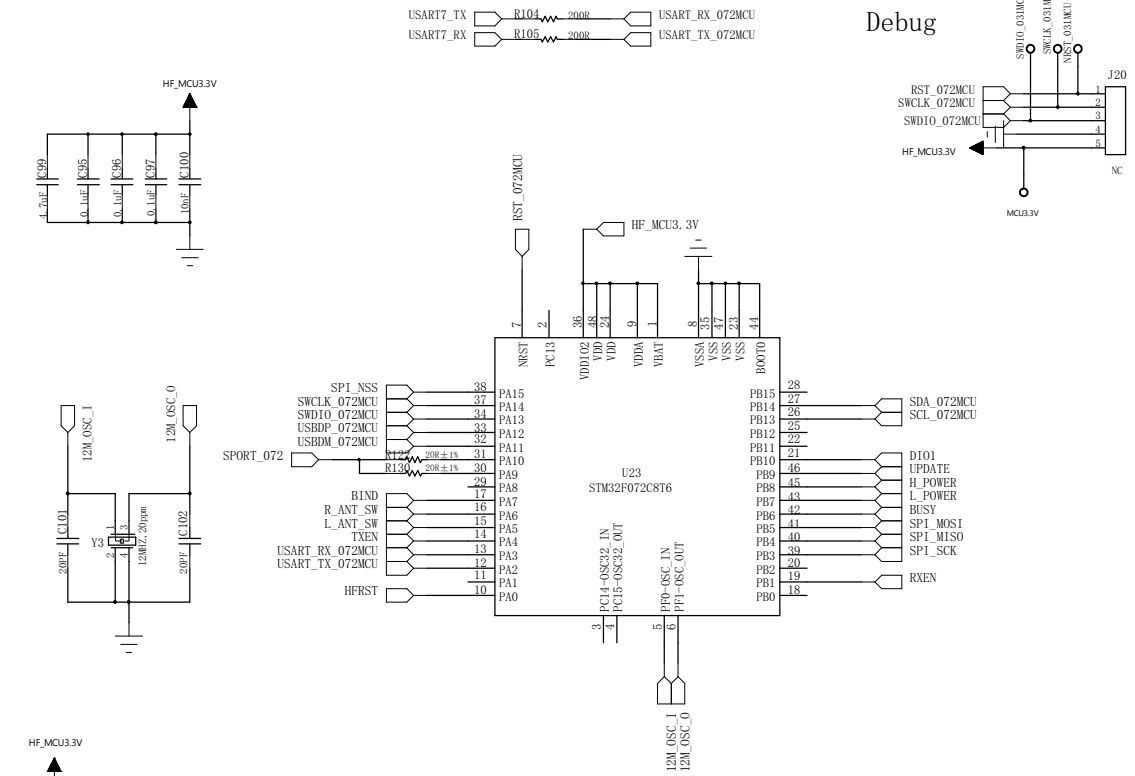
USB



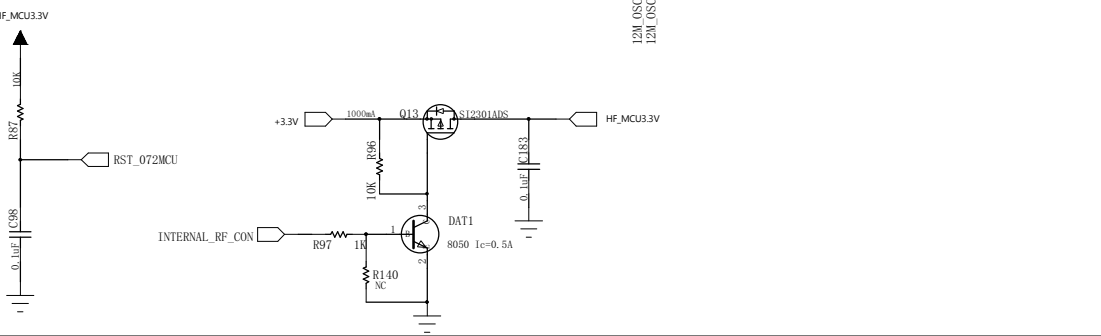
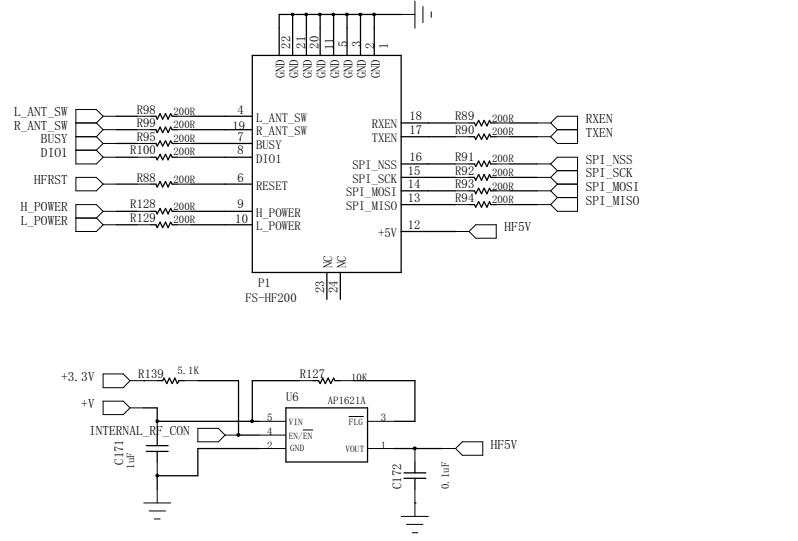
RF Module Communication



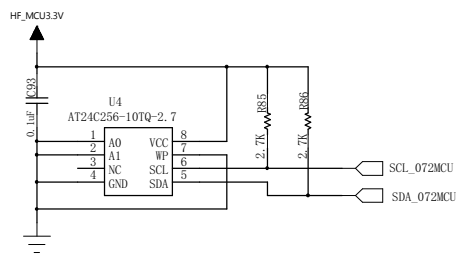
STM32F072 MCU



HF200 Module

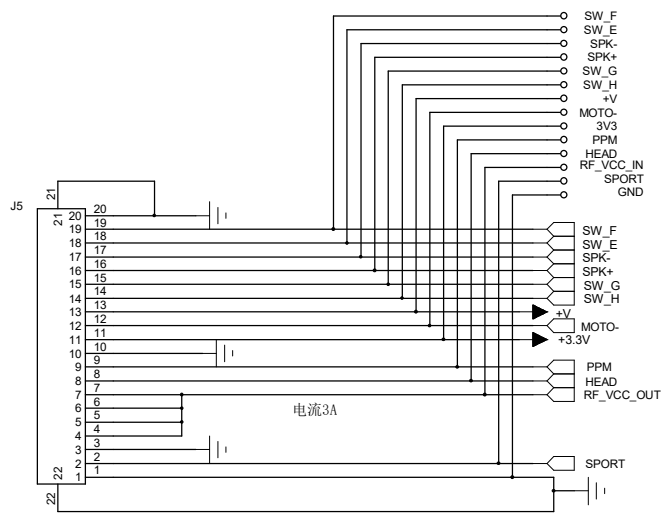
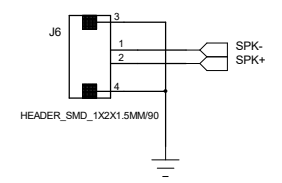
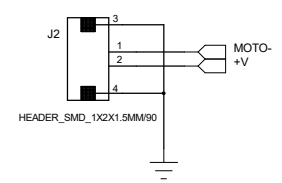
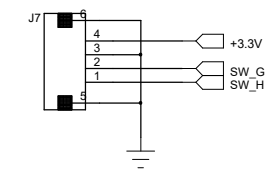
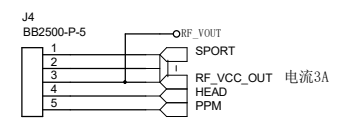
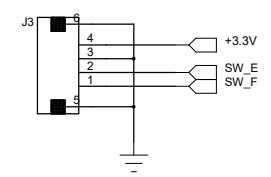
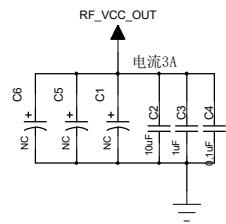


EEPROM



Handwritten signature: 孟瑞英

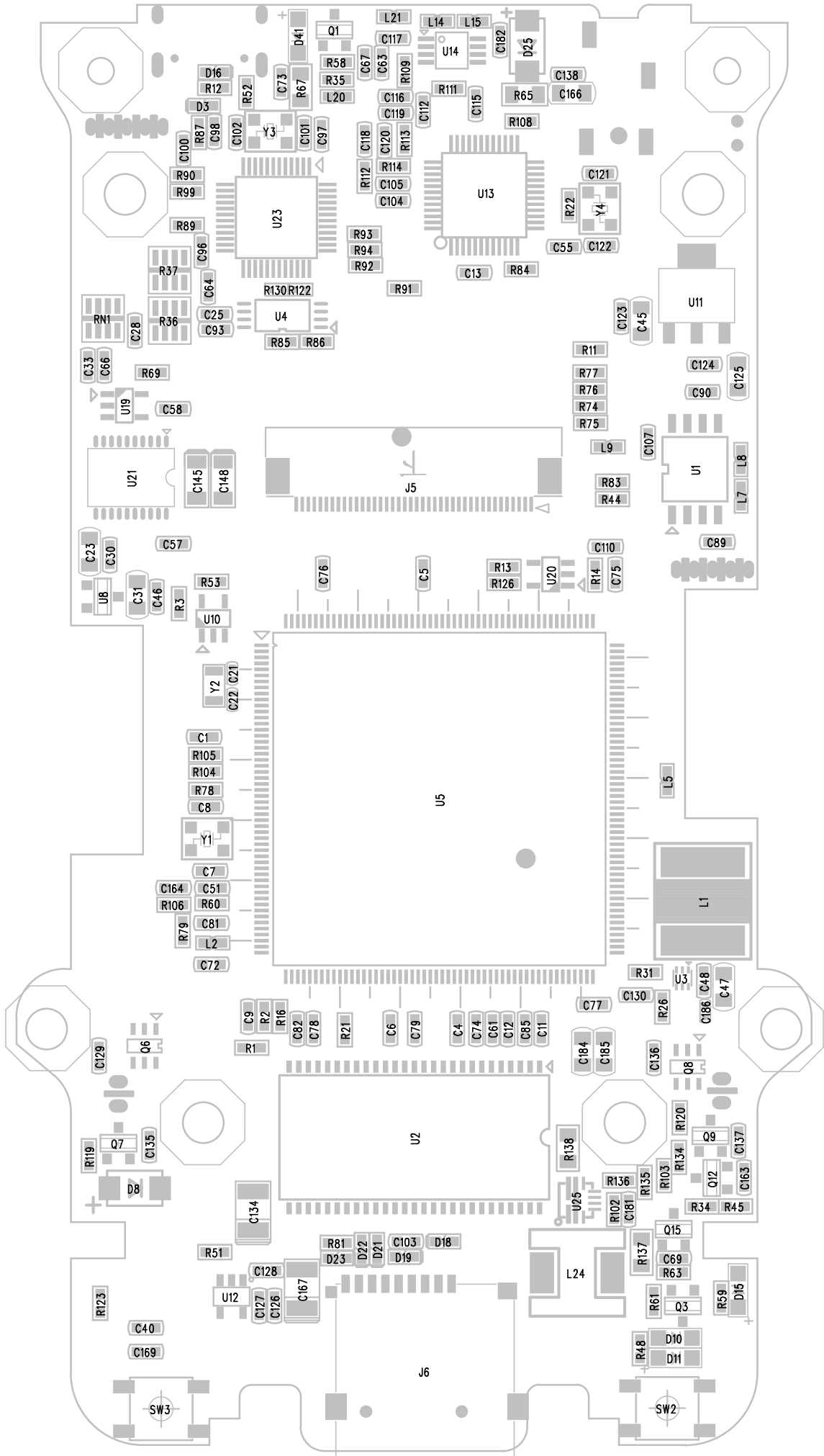
Title: EL18	
Drawing No:	Version: V1.0
Drawn By: MXM	Date: 2022.05.31
Size A3	Sheet: 6 of 6



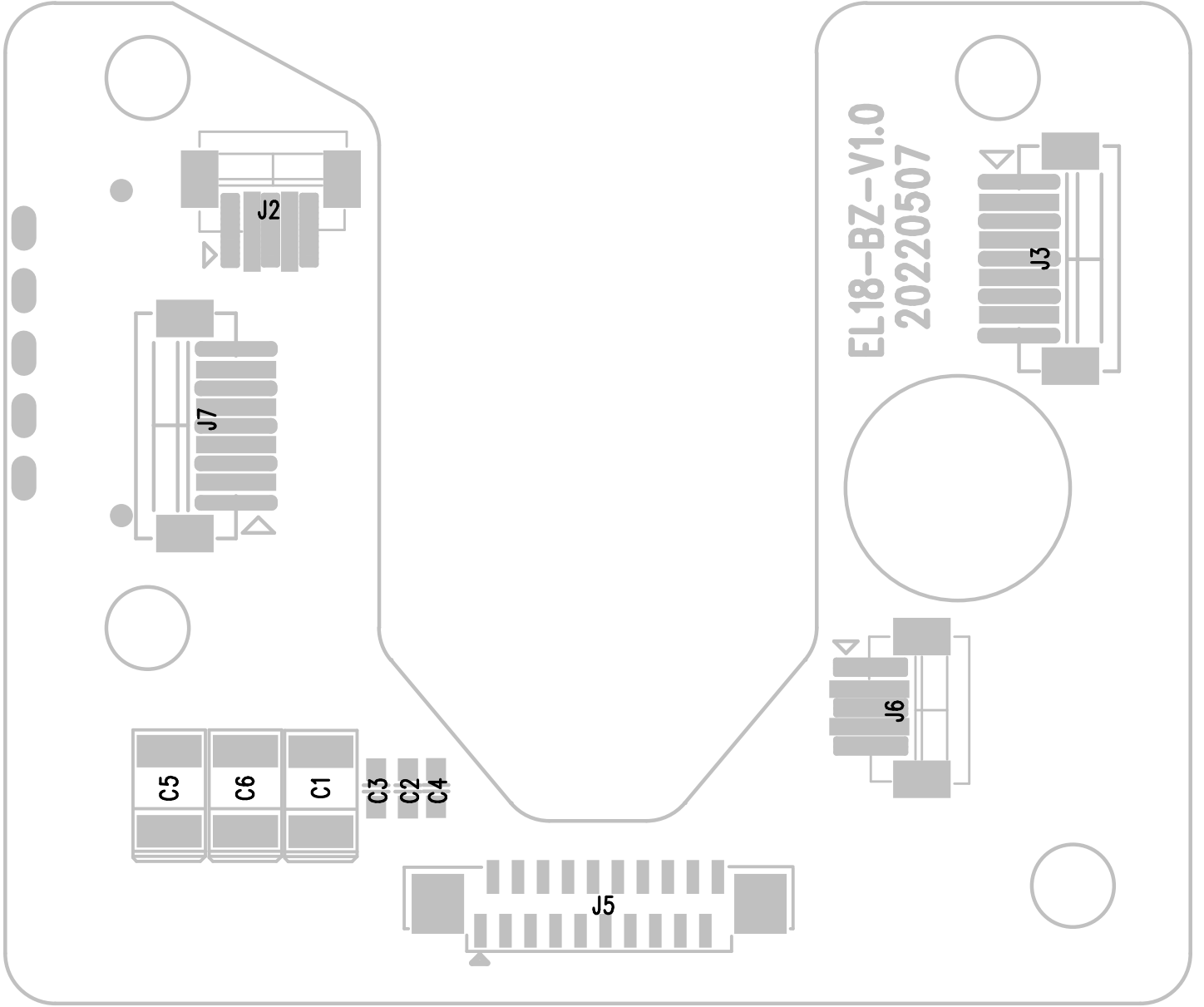
FPC20_20X0.5MM(W=2.0MM)/1

马瑞英

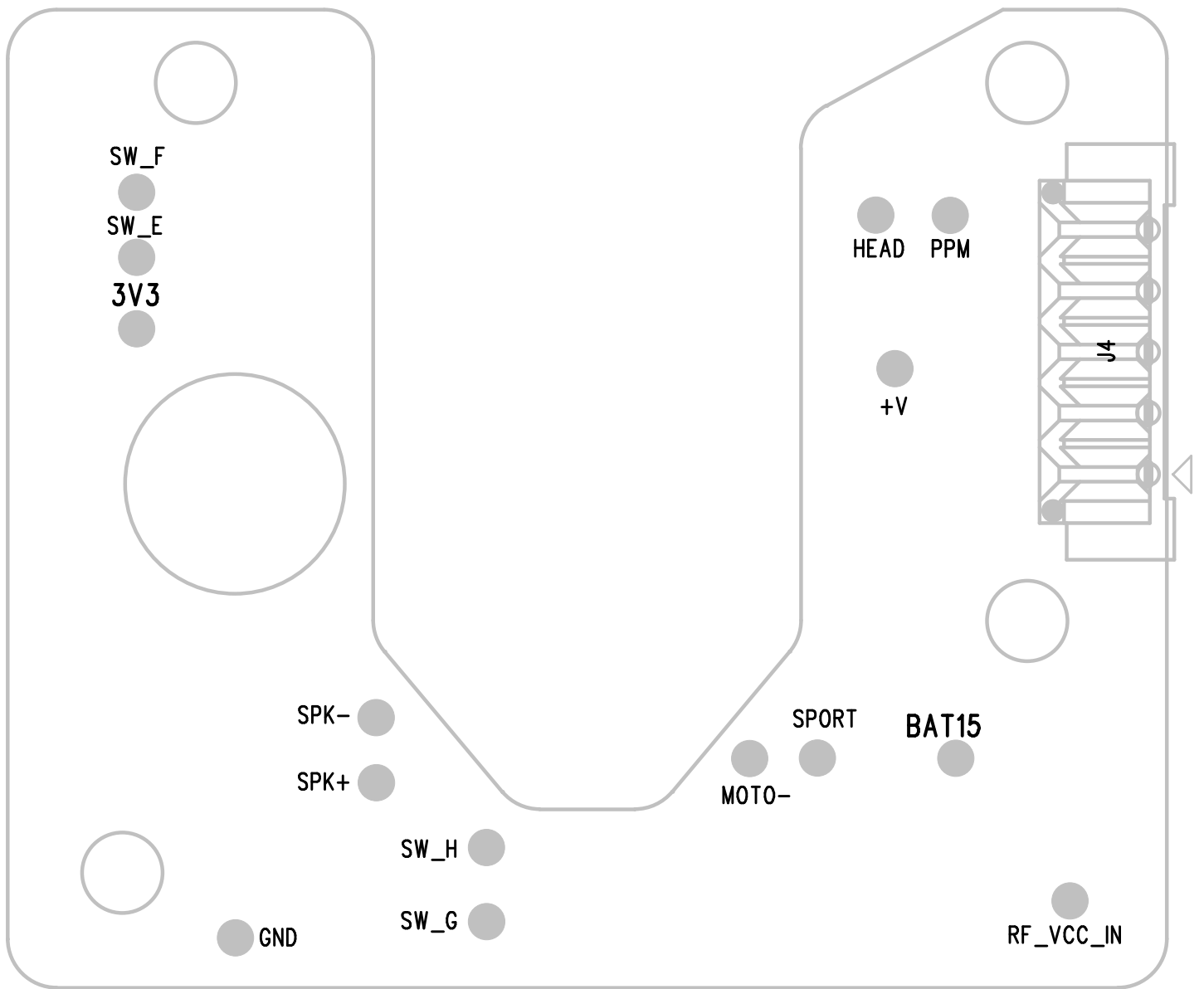
Title: EL18-BZ	
Drawing No:	Version: V1.0
Drawn By: MXM	Date: 20220530
Checked By:	Date:
Approved By:	Date:
Size: A3	Sheet: 1/1



马瑞英



孟瑞英



孟瑞英