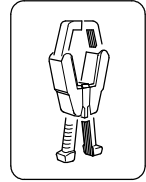


Universal Technic

1, Rue Robert et Sonia DELAUNAY 75011 PARIS - France
Tél: 01 43 700 800 Fax: 01 43 48 44 07
International Tel: 33 1 43 70 08 00 Fax: 33 1 43 48 44 07
Email: lut@lem.com

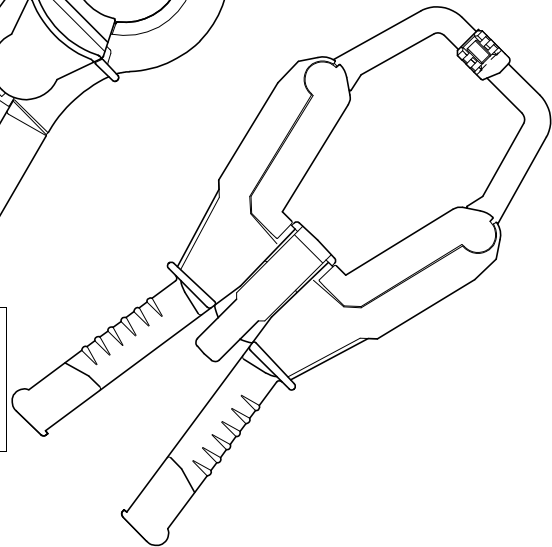
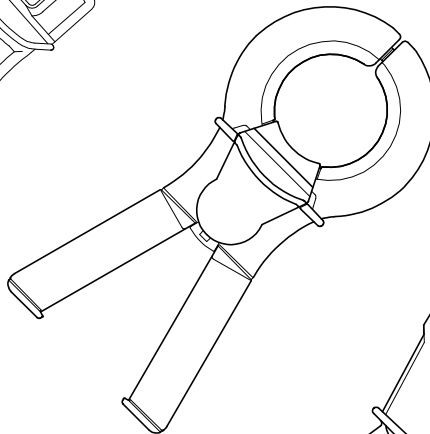
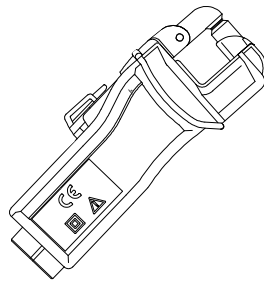


Your ideas ...

Your needs ..



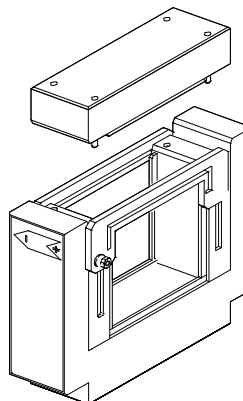
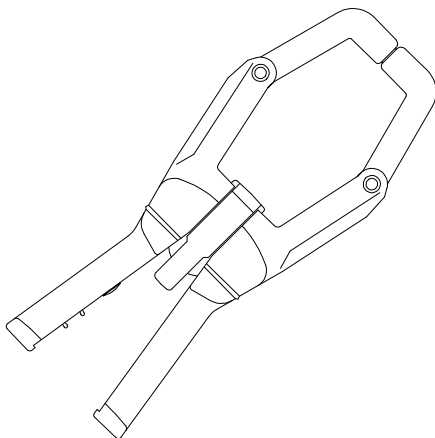
600 Volts Category III



PRICE LIST 2008

Edition 1

Standard IEC 61010-2-032



... Our products

CE

SELECT YOUR TYPE OF CLAMP

Answering following questions will help you to select the best clamp for your application:

- Determine if you are measuring an alternating current or a continuous one.
The clamps for continuous current are indexed in AC-DC because they measure the both .
- Which is the highest current to measure and which is the weakest one ?
- Check that the accuracy, on low level, is suitable or choose a clamp for lower current.
The majority of the clamps have a better accuracy on the higher ranges.
- What is the size of the conductor that you will encircle tightly ?
This parameter determines the jaw size.
In this price list, the clamps are sorted in an ascending size order.
- Which type of signal accepts the instrument on which the clamp will be connected ?
- nature of the signal: current or voltage ? , AC orDC ?
- their ranges ?
- the impedance of the instrument ?
- **Which type of connector do you want?**
Safety sockets, cable + banana plugs or BNC? etc...
- **Will the clamp be used for measuring harmonics or power ?**
If so, look at specifications on frequency and phase shift.

Other important factors to be considered:

The MAX. voltage compared to the conductor’s GROUND ?

Signification of the symbols introduced by the new Standard ICE61010-2-032 of 09/2002:



Nude conductors under dangerous voltage, which is for the clamps Universal Technic, between 30Veff . and 600V CAT III - degree of pollution 2



Insulated conductors or voltage below 30V MAX. rms

These symbols stand on each page, in the drawings, near or between the clamp’s jaws .

*The clamps **Universal Technic** can fit all your needs !*

This price list is published to guide you in your choice and to facilitate the writing of your orders.

It is only an overview of our production classified by growing order of input current level.

The “Types” are available in A “Range”, from which the reference is composed “Range+Extension”.

The Extension defines the nature of the “Treatment” of the secondary internal signal.

In order to adapt itself to all the reading equipment, a Clamp can deliver a secondary signal under the form of a “Current”, an (AC) “alternative Voltage”, of a “Current” and an AC “Voltage”, or still of a (DC) “continuous Voltage”, etc...

For more details see :

“Typical electric schemes of the Clamp-on CurrentTransformers - Part 1 and 2”

see on page 51.

For further informations, do not hesitate to contact us.

In order to deliver quickly a product in conformity with your request, we thank you for formulating like the model below.

Nature of the current to measure Alternating (AC) frequency 50Hz				
Type of clamp	Primary	Secondary	Special output	Colour
M1.UB	25A	2V	Bifilar lead + plugs 4 mm	Blue

PRICE LIST 2008

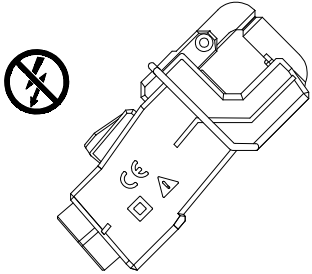
Edition 1

Valid on and after 1 May 2008.
Cancel the price list 2007

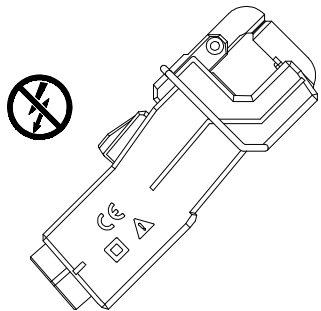
CLAMP-ON CURRENT TRANSFORMERS AC

Conductors diameter 15 mm

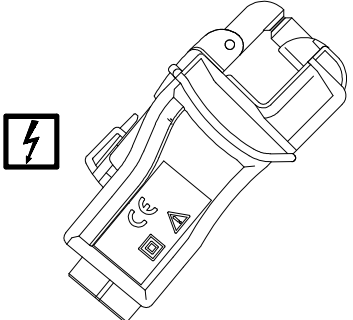
RANGE		M1	1mA...200A AC
Input AC.	Output AC current.....	M1.	P.9
	Output AC voltage	M1.B M1.U M1.UB M1.UB5 M1.UB5W	
	Output AC current or voltage	M1.MB	
Emitting clamp	M1.I	



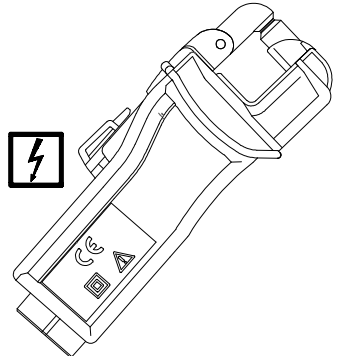
RANGE		M2	10mA...300A AC
Input AC.	Output current.....	M2.	P.10
	Output AC voltage.....	M2.U M2.UB M2.UB5 M2.UB5W	
	Output DC voltage.....	M2.V M2.VB	



RANGE		M3	10mA...300A AC
Input AC.	Output current.....	M3.	P.11
	Output AC voltage.....	M3.B M3.U M3.UB M3.UB5 M3.UB5W	
	Output AC current or tension.....	M3.MB	
Emitting clamp	M3.I	



RANGE		M4	10mA...300A AC
Input AC.	Output current.....	M4.	P.12
	Output AC voltage.....	M4.U M4.UB M4.UB5 M4.UB5W	
	Output DC voltage.....	M4.V M4.VB	



“Special Outputs”, Cables with choice of the connectors, see page: 51 supplements
 “Typical Electrical schemes of the Clamp-on Current Transformers-Part 1 and 2” last pages.
Other colours - Other ratios: please contact us. Special makings on demand.

PRICE LIST 2008

Edition 1

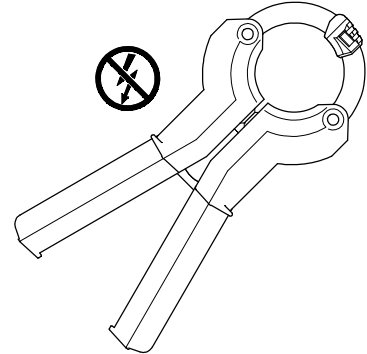
Valid on and after 1 May 2008.
Cancel the price list 2007

CLAMP-ON CURRENT TRANSFORMERS AC

For conductors

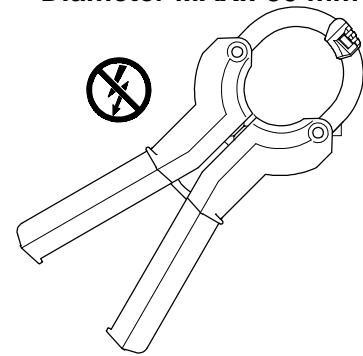
Diameter MAX.: 43 mm

RANGE	US	100mA...1000A AC	
Output current	US		P13
Output current (protected)	US.P		
Output DOUBLE voltage and current	US.D		P14
Output DOUBLE voltage and current (protected)	US.DP		
Emitting clamp	US.I		
Output AC Voltage	US.U		P15
	US.UB		
Output AC voltage (economic type)	US.UE		
Output DC voltage	US.V		
	US.VB		



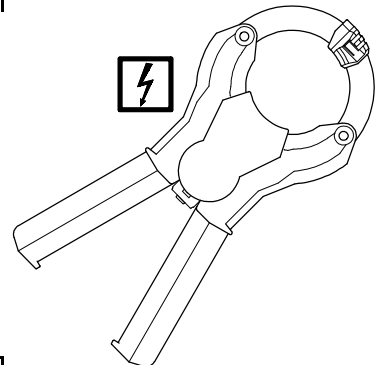
Diameter MAX.: 50 mm

RANGE	NS	100mA...1000A AC	
Output current	NS		P16
Output current (protected)	NS.P		
Output DOUBLE voltage and current	NS.D		P17
Output DOUBLE voltage and current (protected)	NS.DP		
Emitting clamp	NS.I		
Output AC voltage	NS.U		P18
Output AC voltage (economic type)	NS.UE		
Output DC voltage	NS.V		



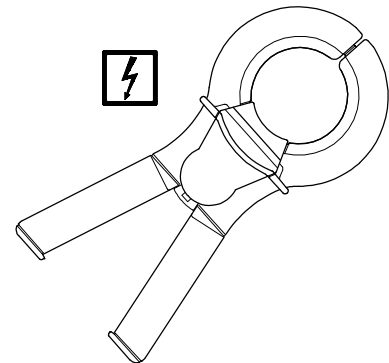
Diamètre MAX.: 50 mm

RANGE	S	10mA...1200A AC	
Output current	S		P19
Output protected current	S.P		
Output DOUBLE voltage and current	S.D		P20
Output DOUBLE voltage and protected current	S.DP		
Emitting clamp	S.I		
Output AC voltage	S.U		P21
	S.UB		
Output AC voltage (economic type)	S.UE		
Output DC voltage	S.V		
	S.VB		



Diameter MAX.: 54 mm

RANGE	SM	1mA...1400A AC	
Output current	SM		P22
	SM.B		
Output protected current	SM.P		
Output DOUBLE voltage and current	SM.D		P23
Output DOUBLE voltage and protected current	SM.DP		
Emitting clamp	SM.I		
Output AC voltage	SM.U		P24
	SM.UB		
Output economical AC voltage	SM.UE		
Output AC voltage speciale frequency	SM.UF		
	SM.UBF		
Output DC voltage	SM.V		
	SM.VB		



PRICE LIST 2008

Edition 1

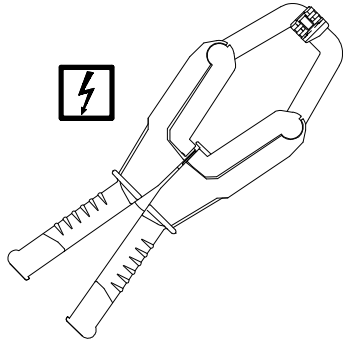
*Valid on and after 1 May 2008.
Cancel the price list 2007*

CLAMP-ON CURRENT TRANSFORMERS AC

RANGE		E16	1A...1600A AC
AC Input	Output current.....	E16	P.25
	Output (protected) current.....	E16.P	
	Output DOUBLE voltage and current.....	E16.D	P.26
	Output DOUBLE voltage and current (protected)	E16.DP	
	Output AC voltage.....	E16.U	P.27
	Output AC voltage (economic type).....	E16-UE	
	Output DC voltage.....	E16.V	

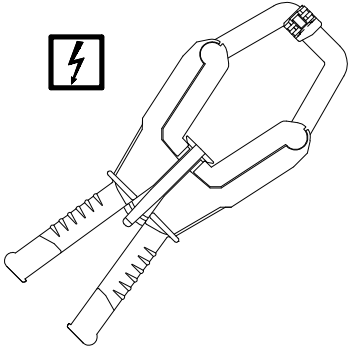
Cables/ Bus Bars (mm)

Ø 54/100x30...120x20



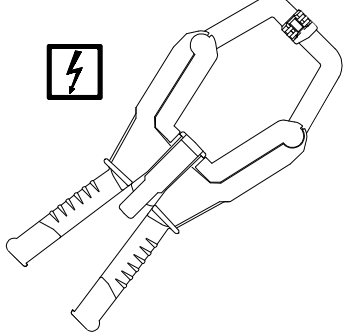
RANGE		H16	1A...1600A
AC Input	Output current.....	H16	P.28
	Output (protected) current.....	H16.P	
	Output multi ratio current	H16	P.29
	Output DOUBLE voltage and current.....	H16.D	
	Output DOUBLE voltage and current (protected)	H16.DP	
Emitting clamp		H16.I	
	Output AC voltage.....	H16.U	P.30
	Output AC voltage (economic type).....	H16-UE	
	Output DC voltage.....	H16.V	

Ø 67/100x44...120x35



RANGE		P16	1A...1600A
AC Input	Output current.....	P16	P.31
	Output (protected) current.....	P16.P	
	Output multi ratio current.....	P16	
	Output DOUBLE voltage and current.....	P16.D	P.32
	Output DOUBLE voltage and current (protected)	P16.DP	
Emitting clamp		P16.I	
	Output AC voltage.....	P16.U	P.33
	Output AC voltage (economic type).....	P16-UE	
	Output DC voltage.....	P16.V	

Ø 80/100x56...120x48



PRICE LIST 2008

Edition 1

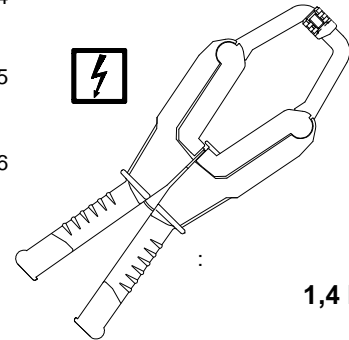
*Valid on and after 1 May 2008.
Cancel the price list 2007*

CLAMP-ON CURRENT TRANSFORMERS AC

Cables/ Bus Bars (mm)

RANGE	E32	1A...3200A AC	
AC Input	Output current.....	E32	P.34
	Output current (protected)	E32.P	
	DOUBLE Output voltage and current.....	E32.D	P.35
	DOUBLE Output voltage and current (protected)	E32.DP	
	Output AC voltage.....	E32.U	P.36
	Output AC voltage (economic type).....	E32.UE	
	Special version for leakage current measurement	E32.UEB5	
	Output DC voltage.....	E32.V	

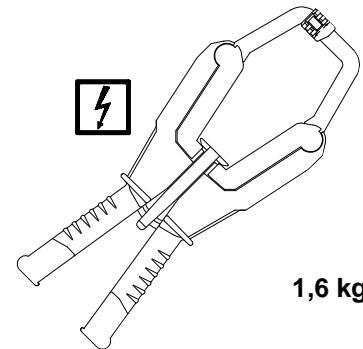
Ø 56/100x32...120x20



1,4 kg

RANGE	H32	1A...3200A AC	
AC Input	Output current.....	H32	P.37
	Output current (protected)	H32.P	
	DOUBLE Output voltage and current.....	H32.D	P.38
	DOUBLE Output voltage and current (protected)	H32.DP	
	Output AC voltage.....	H32.U	P.39
	Output AC voltage (economic type).....	H32.UE	
	Special version for leakage current measurement	H32.UEB5	
	Output DC voltage.....	H32.V	

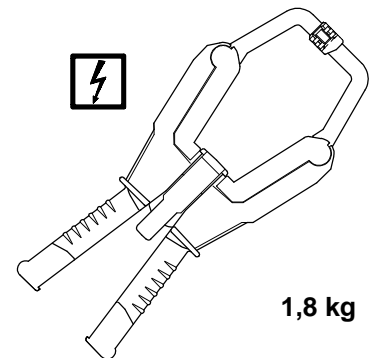
Ø 70/100x45...120x35



1,6 kg

RANGE	P32	1A.....3200A AC	
AC Input	Output current.....	P32.	P.40
	Output current (protected)	P32.P	
	DOUBLE Output voltage and current.....	P32.D	P.41
	DOUBLE Output voltage and current (protected)	P32.DP	
	Output AC voltage.....	P32.U	P.42
	Output AC voltage (economic type).....	P32.UE	
	Special version for leakage current measurement	P32.UEB5	
	Output DC voltage.....	P32.V	

Ø 82/100x58...120x50



1,8 kg

PRICE LIST 2008

Edition 1

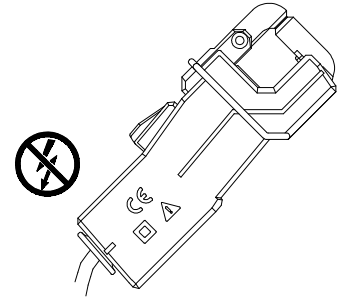
Valid on and after 1 May 2008.
Cancel the price list 2007

CLAMP-ON CURRENT (Hall effect)

AC-DC

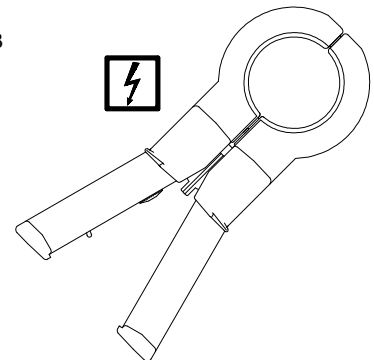
Conductors diameter 15 mm

RANGE		M2 C AC-DC	1A...300A AC-DC
AC-DC Input	Output AC-DC voltage.....	M2.C	P.43



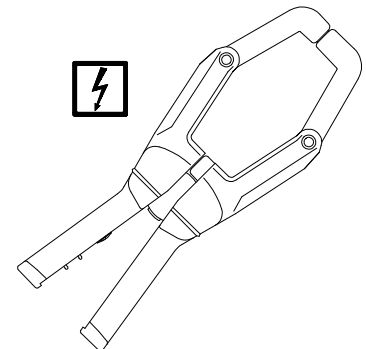
RANGE		SC AC-DC	1A...2000A AC-DC
AC-DC Input	Output AC-DC voltage.....	S.C	P.43

Diameter MAX.: 50 mm



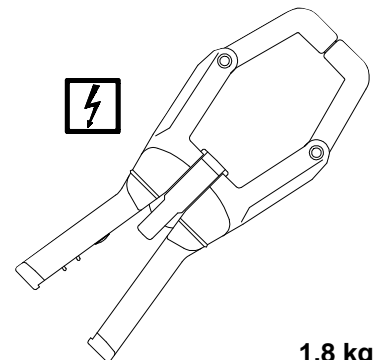
RANGE		HC AC-DC	1A...5000A AC-DC
AC-DC Input	Output AC-DC voltage.....	H20.1C	P.44
	Output AC-DC voltage.....	H40.1C	
	Output AC-DC voltage.....	H50.1C	
	Output AC-DC voltage.....	H20.3C	
	Output AC-DC voltage.....	H40.3C	
	Output AC-DC voltage.....	H50.3C	

Ø 72/100x53...127x43



RANGE		PC AC-DC	1A...7500A AC-DC
AC-DC Input	Output AC-DC voltage.....	P20.1C	P.45
	Output AC-DC voltage.....	P40.1C	
	Output AC-DC voltage.....	P50.1C	
	Output AC-DC voltage.....	P75.1C	
	Output AC-DC voltage.....	P20.3C	
	Output AC-DC voltage.....	P40.3C	
	Output AC-DC voltage.....	P50.3C	
	Output AC-DC voltage.....	P75.3C	

Ø 83/100x64...122x54



1,8 kg

For the AC-DC clamps, transformation ratio is expressed at maximum value.

PRICE LIST 2008

Edition 1

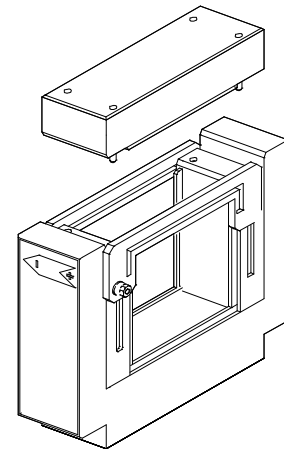
Valid on and after 1 May 2008.
Cancel the price list 2007

TRANSDUCERS

Cables/ Bus Bars (mm)

Ø 100/104x104

RANGE	C 104 AC-DC	200A...15000A
Input AC-DC	Output voltage	C 104.CT P.46
	Supply : 36V à 72Vdc	
	Output voltage	C 104.AS
	Supply : 220V eff. 50-60Hz	
	Output voltage	C 104.AT
	Supply : 220V eff. 50-60Hz	



MEASUREMENT AUXILIARIES

MEASUREMENT PLUGS

For **SECURA** system. P.47
Current

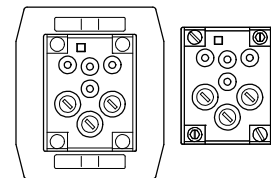
Accessories

For **ESSAILEC** system.

Voltage 3 Phases
Accessories

Signals **STC**

T.I. 2500/1



GENERALITIES

CALIBRATION CERTIFICATE (B.N.M)

For all the clamps P.48

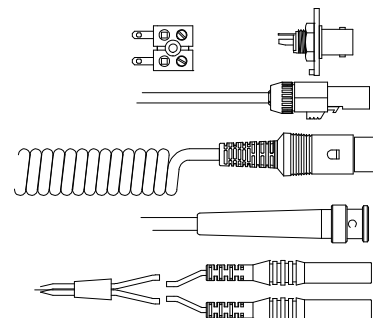
Typical electrical shemes

Part 1 P.49
Part 2 P.50

Output connections, Options, Special outputs

Output connections P.51

Weight and packing P.51



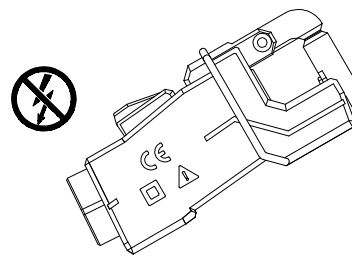
General Sales Conditions

P.52

PRICE LIST 2008

Edition 1

Valid on and after 1 May 2008.
Cancel the price list 2007



MICROCLAMP-ON CURRENT TRANSFORMERS AC

RANGE	M1	1 mA200A AC				
Codes	TYPE			Output connections	Colour	U.P Euros
◆ Output current.						
M001	M1	200A / 200mA		Safety sockets Ø4 mm.	Grey	73
M009	M1	100A / 1A				76
M232	M1	200A / 1A				77
	M1.B	100A / 100mA				98
	M1.B	10A / 4mA max				109
◆ Output AC voltage.						
M233	M1.U	100A / 1Vac		Safety sockets Ø4 mm.	Blue	79
M008	M1.U	200A / 2Vac				
	M1.U	200A / 10Vac		Safety sockets Ø4 mm.	Blue	80
M234	M1.UB	1A / 1Vac		Safety sockets Ø4 mm.	Blue	125
M235	M1.UB	5A / 1Vac				119
M236	M1.UB	5A / 2Vac				
M237	M1.UB	5A / 3Vac				
M005	M1.UB	5A / 5Vac				
M004	M1.UB	10A / 1Vac		Safety sockets Ø4 mm.	Blue	119
M014	M1.UB	10A / 2Vac				
M239	M1.UB	10A / 3Vac				
M240	M1.UB	10A / 5Vac				
M241	M1.UB	20A / 1Vac		Safety sockets Ø4 mm.	Blue	119
M242	M1.UB	20A / 2Vac				
M243	M1.UB	20A / 3Vac				
M244	M1.UB	20A / 5Vac				
M245	M1.UB	50A / 1Vac		Safety sockets Ø4 mm.	Blue	119
M246	M1.UB	50A / 2Vac				
M247	M1.UB	50A / 3Vac				
M248	M1.UB	50A / 5Vac				
	M1.UB5	5A / 1Vac		Safety sockets Ø4 mm.	Blue	133
	M1.UB5W	5A / 1Vac				164
◆ MIXED output current or AC voltage.						
M891	M1.MB	300A / 300mA				
		30A / 3Vac		Safety sockets Ø4 mm.	Green	122
		Emitting clamp-on for alternating current				
M1345	M1.I	Emitting				

Alls the clamps can be designed by us in order to inject signals on cables.
Applications: Cable fault location, current flow, cables identification, ...

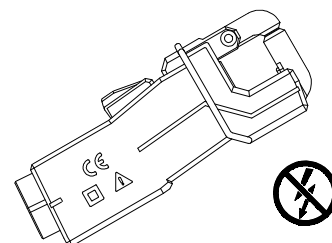
“Special outputs”, Cables and leads with choice of the ends, see page: 51 supplements
“Typical electrical scheme of the Clamp-on current transformers-Part 1 and 2” last pages.

Other colours - Other ratios : manufactured on request, please contact us.

PRICE LIST 2008

Edition 1

Valid on and after 1 May 2008.
Cancel the price list 2007



MICROCLAMP-ON CURRENT TRANSFORMERS AC

RANGE		M2		10 mA300A			
Codes	TYPES			Output connections	Colour	UP Euros	
◆ Output current							
M249	M2	200A	/ 200mA	Safety sockets Ø4 mm.	Grey	93	
M252	M2	100A	/ 1A		97		
M253	M2	200A	/ 1A				
	M2.B	100A	/ 100mA			118	
◆ Output AC voltage							
M254	M2.U	200A	/ 2Vac	Safety sockets Ø4 mm.	Blue	97	
M279	M2.U	50-100-200A	/ 1Vac		Blue	147	
M280	M2.U	50-100-200A	/ 2Vac				
M256	M2.UB	1A	/ 1Vac	Safety sockets Ø4 mm.	Blue	145	
M257	M2.UB	5A	/ 1Vac		139		
M258	M2.UB	5A	/ 2Vac				
M259	M2.UB	5A	/ 3Vac				
M260	M2.UB	5A	/ 5Vac				
M261	M2.UB	10A	/ 1Vac		Safety sockets Ø4 mm.	Blue	139
M262	M2.UB	10A	/ 2Vac				
M263	M2.UB	10A	/ 5Vac				
M264	M2.UB	20A	/ 1Vac	Safety sockets Ø4 mm.	Blue	139	
M265	M2.UB	20A	/ 2Vac				
M266	M2.UB	20A	/ 3Vac				
M267	M2.UB	20A	/ 5Vac				
M268	M2.UB	50A	/ 1Vac	Safety sockets Ø4 mm.	Blue	139	
M269	M2.UB	50A	/ 2Vac				
M270	M2.UB	50A	/ 5Vac				
						170	
M281	M2.UB	5-10-20A	/ 1Vac	Safety sockets Ø4 mm.	Blue		
M282	M2.UB	25-50-100A	/ 1Vac				
	M2.UB5	5A	/ 1Vac	Safety sockets Ø4 mm.	Blue	163	
	M2.UB5W	5A	/ 1Vac		193		
◆ Output DC voltage							
						116	
M271	M2.V	200A	/ 1Vdc	Safety sockets Ø4 mm.	Blue	147	
M272	M2.V	200A	/ 2Vdc				
	M2.V	50-100-200A	/ 1Vdc				
M273	M2.VB	25A	/ 1Vdc	Safety sockets Ø4 mm.	Blue	156	
M274	M2.VB	50A	/ 1Vdc				
M275	M2.VB	100A	/ 1Vdc				
M276	M2.VB	25A	/ 2Vdc				
M277	M2.VB	50A	/ 2Vdc				
M278	M2.VB	100A	/ 2Vdc				
	M2.VB	25-50-100A	/ 1Vdc		Safety sockets Ø4 mm.	Blue	178

- For all the voltage output, other values are available between 0,2V and 5V. Please contact us.
- For all the voltage output, all kind of cables and ends are available.

WARNING: Probes with voltage output must be connected to instruments with high impedance (>= 1 Mohm). For any lower impedance (eg 10 kohm) please contact us.

“Special outputs”, Cables and leads with choice of the ends, see page: 51 suppléments
“Typical electrical schemes of the clamp-on current transformers - Part 1 and 2” last pages.

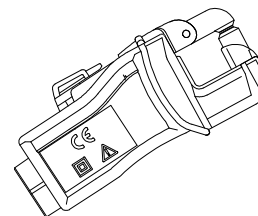
Other colours - Other ratios : manufactured on request, please contact us.

• Transport suitcase for Clamps of the Ranges M1 to M4		
31AT02	For 3 Clamps	11,50

PRICE LIST 2008

Edition 1

Valid on and after 1 May 2008.
Cancel the price list 2007



CLAMP-ON CURRENT TRANSFORMERS AC

RANGE M3 1 mA200A AC

Codes	TYPES		Output connections	Colour	U.P Euros
◆ Output AC voltage					
M1650	M3	200A / 200mA	Safety sockets Ø4 mm.	Grey	95
M2957	M3	100A / 1A			95
M3126	M3	200A / 1A			97
	M3.B	100A / 100mA			113
	M3.B	10A / 4mA max			132
◆ Output AC voltage					
M3138	M3.U	100A / 1Vac	Safety sockets Ø4 mm.	Blue	98
	M3.U	200A / 0,2Vac			
M3139	M3.U	200A / 2Vac			
M3140	M3.UB	1A / 1Vac	Safety sockets Ø4 mm.	Blue	171
M3141	M3.UB	5A / 1Vac			165
M3142	M3.UB	5A / 2Vac			
M2872	M3.UB	5A / 5Vac			
M2968	M3.UB	10A / 1Vac			
M3143	M3.UB	10A / 2Vac	Safety sockets Ø4 mm.	Blue	165
M2863	M3.UB	10A / 5Vac			
M3144	M3.UB	20A / 1Vac			
M3145	M3.UB	20A / 2Vac			
M3146	M3.UB	20A / 5Vac			
M3147	M3.UB	30A / 3Vac	Safety sockets Ø4 mm.	Blue	165
M3148	M3.UB	40A / 1Vac			
M3149	M3.UB	40A / 2Vac			
M3150	M3.UB	40A / 5Vac			
M3151	M3.UB	50A / 1Vac			
M3152	M3.UB	50A / 2Vac			
M3153	M3.UB	50A / 5Vac			
◆ Output AC voltage, special types					
	M3.UB5	5A / 1Vac	Safety sockets Ø4 mm.	Blue	177
	M3.UB5W	5A / 1Vac			192
	M3.UBxF				
	.UBxF				Please contact us
	.UB5W				Please contact us
◆ MIXED Output current or AC voltage.					
M3154	M3.MB	300A / 300mA 30A / 3Vac	Safety sockets Ø4 mm.	Green	179

All the clamps can be designed by us in order to inject signals on cables.
Applications: Cable fault location, current flow, cables identification, ...

**The CLAMPS “M3” are equipped with our patented system
anti short-circuit SIAC ®**

“Special outputs”, Cables and leads with choice of the ends, see page: 51 supplements
“Typical electrical schemes of the clamp-on current transformers - Part 1 and 2” last pages.

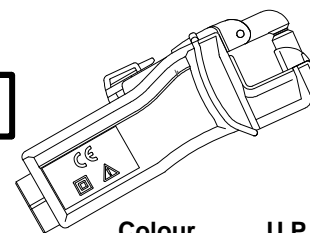
Other colours - Other ratios : manufactured on request, please contact us.

PRICE LIST 2008

Edition 1

Valid on and after 1 May 2008.
Cancel the price list 2007

MICROCLAMP-ON CURRENT TRANSFORMERS AC



RANGE	M4	10 mA300A			
Codes	TYPES		Output connections	Colour	U.P Euros
◆ Current output					
M3157	M4	200A / 200mA	Safety sockets Ø4 mm.	Grey	108
M3158	M4	100A / 1A			
M3159	M4	200A / 1A			
	M4.B	10A / 4mA max.	Safety sockets Ø4 mm.	Grey	147
◆ AC Current output					
M3160	M4.U	200A / 2Vac	Safety sockets Ø4 mm.	Blue	114
	M4.U	20-200A / 2Vac	Lead + BNC	Blue	202
M3183	M4.U	50-100-400A / 1Vac	Safety sockets Ø4 mm.	Blue	177
M3184	M4.U	50-100-400A / 4Vac			
M3161	M4.UB	1A / 1Vac	Safety sockets Ø4 mm.	Blue	198
M3162	M4.UB	5A / 1Vac			190
M3163	M4.UB	5A / 2Vac			
M3164	M4.UB	5A / 5Vac			
M3165	M4.UB	10A / 1Vac			
M3166	M4.UB	10A / 2Vac			
M3167	M4.UB	10A / 5Vac			
M3168	M4.UB	20A / 1Vac			
M3169	M4.UB	20A / 2Vac			
M3170	M4.UB	40A / 2Vac			
M3171	M4.UB	40A / 4Vac			
M3172	M4.UB	50A / 1Vac			
M3173	M4.UB	50A / 2Vac			
M3174	M4.UB	50A / 5Vac			
M3185	M4.UB	5-10-40A / 1Vac	Safety sockets Ø4 mm.	Blue	200
M3186	M4.UB	25-50-100A / 1Vac			
	M4.UB5	5A / 1Vac	Safety sockets Ø4 mm.	Blue	197
	M4.UB5W	5A / 1Vac			208
◆ Output DC voltage					
M3175	M4.V	200A / 1Vdc	Safety sockets Ø4 mm.	Blue	144
M3176	M4.V	200A / 2Vdc			
	M4.V	50-100-200A / 1Vdc			200
M	M4.VB	20A / 2Vdc	Safety sockets Ø4 mm.	Blue	181
M3177	M4.VB	40A / 1Vdc			
M3178	M4.VB	50A / 1Vdc			
M3179	M4.VB	100A / 1Vdc			
M3180	M4.VB	40A / 4Vdc			
M3181	M4.VB	50A / 5Vdc			
M3182	M4.VB	100A / 2Vdc			
	M4.VB	25-50-100A / 1Vdc	Safety sockets Ø4 mm.	Blue	227

The CLAMPS "M4" are equipped with our patented system anti short-circuit SIAC ®

"Special outputs", Cables and leads with choice of the ends, see page: 51 supplements
"Typical electrical schemes of the clamp-on current transformers - Part 1 and 2" last pages.

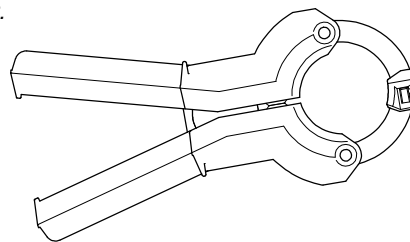
Other colours - Other ratios : manufactured on request, please contact us.

• Transport suitcase for Clamps of range M1 to M4	
31AT02 For 3 clamps	11,50

PRICE LIST 2008

Edition 1

Valid on and after 1 May 2008.
Cancel the price list 2007



CLAMP-ON CURRENT TRANSFORMERS AC

RANGE	US	100mA.....1000A AC			
Codes	TYPES		Standardized output connections	Colour	U.P Euros
◆ AC current output					
U283	US US	1000A / 1A 500A / 0.5A	Safety sockets Ø4 mm.	Grey	125
U285	US	100A / 1A	Safety sockets Ø4 mm.	Grey	133
U286	US	125A / 1A			
U287	US	150A / 1A			
U288	US	200A / 1A			
U289	US	250A / 1A			
U290	US	300A / 1A			
U291	US	400A / 1A			
U292	US	500A / 1A			
U293	US	600A / 1A			
U294	US	800A / 1A			
U295	US	100A / 2A	Safety sockets Ø4 mm.	Grey	141
U296	US	125A / 2A			
U297	US	150A / 2A			
U298	US	200A / 2A			
U299	US	300A / 2A			
U300	US	400A / 2A			
U301	US	500A / 2A			
U302	US	600A / 2A			
U303	US	800A / 2A			
U304	US	1000A / 2A			
U306	US	125A / 3A	Safety sockets Ø4 mm.	Grey	143
U307	US	150A / 3A			
U308	US	200A / 3A			
U309	US	300A / 3A			
U310	US	450A / 3A			
U311	US	600A / 3A			
U312	US	750A / 3A			
U313	US	900A / 3A			
U316	US	150A / 5A	Safety sockets Ø4 mm.	Grey	149
U023	US	200A / 5A			
U317	US	250A / 5A			
U318	US	300A / 5A			
U319	US	400A / 5A			
U320	US	500A / 5A			
U321	US	600A / 5A			
U322	US	800A / 5A			
U284	US	1000A / 5A			
◆ Output protected current					
U323	US.P	500A / 1A	Safety sockets Ø4 mm.	Grey	155
U324	US.P	600A / 1A			
U325	US.P	800A / 1A			
U326	US.P	1000A / 1A			

(1) Note on the "US" secondary 5A: the ratios lower than 150A/5A have been taken off of our standard range of products. To measure weak currents, choose high ratios and an adapted reading equipment. Example, clamp US 1000A/1A allow measurements from 5A to 1000A.

The connecting cables for the Current output

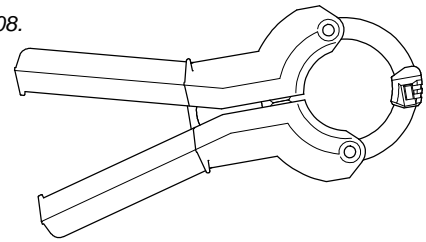
On the clamp itself : only our safety sockets in massive brass can insure the necessary quality for a measurement circuit (except for low currents or clamps especially made for some equipment).

WARNING : the linking cables do constitute a charge.

PRICE LIST 2008

Edition 1

Valid on and after 1 May 2008.
Cancel the price list 2007



CLAMP-ON CURRENT TRANSFORMERS AC

RANGE US 100 mA 1000A

Codes TYPES RATIOS Output connections Colour U.P Euros

◆ **Output multi ratios current**

U338	US	100-150-200A / 1A	Safety sockets Ø4 mm.	Grey	170
U339	US	100-200-300A / 1A			
U340	US	100-200-400A / 1A			
U341	US	100-500-1000A / 1A			
U342	US	125-250-500A / 1A			
U343	US	150-300-600A / 1A			
U344	US	200-400-600A / 1A			
U345	US	200-400-800A / 1A			
U346	US	250-500-1000A / 1A			
U347	US	400-600-1000A / 1A			
U352	(1) US	125-250-500A / 5A	Safety sockets Ø4 mm.	Grey	187
U353	US	150-300-600A / 5A			
U354	US	200-400-600A / 5A			
U355	US	200-400-800A / 5A			
U356	US	250-500-1000A / 5A			
U357	US	400-600-1000A / 5A			

◆ **DOUBLE output current and voltage**

U1307	US.D	100A / 1A et 5V	Safety sockets Ø4 mm.	Blue	251
U1308	US.D	125A / 1A et 5V			
U1309	US.D	150A / 1A et 5V			
U1310	US.D	200A / 1A et 5V			
U1311	US.D	250A / 1A et 5V			
U1312	US.D	300A / 1A et 5V			
U1313	US.D	400A / 1A et 5V			
U1314	US.D	500A / 1A et 5V			
U1315	US.D	600A / 1A et 5V			
U1316	US.D	800A / 1A et 5V			
U1317	US.D	1000A / 1A et 5V			

Options: output 1V or 2V or 3Vac . (Please contact us)

◆ **DOUBLE output current and voltage (protected)**

M1350	US.DP	1000A / 1A et 1Vac.	Safety sockets Ø4 mm.	Blue	256
-------	-------	---------------------	-----------------------	------	-----

Emitting clamps for alternating current

U1352 US.I Emitting

All the clamps can be designed in order to inject signals on cables.

Applications: Cable fault location, current flow, cables identification,

(1) Note on the "US" output 5A: The cables do constitut off of a charge.

The ratios lower than 150A/5A have been taken our standard pannel.

The outputs are exclusively by safety sockets. (except case of a clamp dedicated to a specific equipment).

For measuring low currents, choose high ratios and an adaptated reading equipment :

Exemple clamp US 1000A/1A allows to measure from 5A to 1000A,

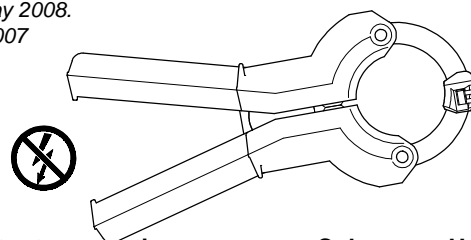
PRICE LIST 2008

Edition 1

Valid on and after 1 May 2008.
Cancel the price list 2007

CLAMP-ON CURRENT TRANSFORMERS AC

RANGE US 100 mA 1000A AC



Codes	TYPES	RATIOS	Output connections	Colour	U.P Euros
-------	-------	--------	--------------------	--------	--------------

◆ **Output voltage AC.**

U327	T	US.U	100A / 5Vac	Safety sockets Ø4 mm.	Blue	196
U328		US.U	125A / 5Vac			
U329		US.U	150A / 5Vac			
U330		US.U	200A / 5Vac			
U331		US.U	250A / 5Vac			
U332		US.U	300A / 5Vac			
U333		US.U	400A / 5Vac			
U334		US.U	500A / 5Vac			
U335		US.U	600A / 5Vac			
U336		US.U	800A / 5Vac			
U337		US.U	1000A / 5Vac			
U025		US.U	25-50-100A / 1Vac	Safety sockets Ø4 mm.	Blue	258
U358		US.U	250-500-1000A / 1Vac			

Options: output 2V or 3V or 5Vac. (Please contact us).

U1202	EP	US.UB	1A / 1Vac	Safety sockets Ø4 mm.	Blue	218
U1318		US.UB	5A / 1Vac			
U1319		US.UB	10A / 1Vac			
U1320		US.UB	25A / 1Vac			
		US.UB	25-50-100A / 1Vac			286

Options: output 2V or 3V or 5Vac. (Please contact us).

U1321		US-UE	100A / 1Vac	Safety sockets Ø4 mm-	Blue	141
U1322		US-UE	125A / 1Vac			
U1323		US-UE	150A / 1Vac			
U1324		US-UE	200A / 1Vac			
U1325		US-UE	250A / 1Vac			
U1326		US-UE	300A / 1Vac			
U1327		US-UE	400A / 1Vac			
U1257		US-UE	500A / 1Vac			
U857		US-UE	1000A / 1Vac			
		US-UE	250-500-1000A / 1Vac			203

Options: output 0,5V or 1,5V or 2Vac. (Please contact us).

WARNING : Other ratios possible but limited for reasons related to safety.

◆ **Output voltage DC. Self-fed clamps. (B)**

U888		US.V	100A / 1Vdc	Safety sockets Ø4 mm.	Blue	256
U1329		US.V	1000A / 1Vdc			
U359		US.V	25-50-100A / 1Vdc			279
U360		US.V	250-500-1000A / 1Vdc			
		US.VB	10A / 1Vdc	Safety sockets Ø4 mm.	Blue	294
		US.VB	50A / 5Vdc			
		US.VB	25-50-100A / 1Vdc			354

(B) secondary voltage output is inverted and filtered using diodes and capacitor. Please refer to electric schematics in section 2. V and VB extensions.

WARNING: Probes with voltage output must be connected to instruments with high impedance (>= 1 Mohm). For any lower impedance (eg 10 kohm) please contact us.

“Special outputs”, Cables and leads with choice of the ends, see page: 51 supplements

“Typical electrical schemes of the clamp-on current transformers - Part 1 and 2” last pages.

Others colours - Others ratios : manufactured on request, please contact us.

• **Spare jaw protectors for US and NS types.**

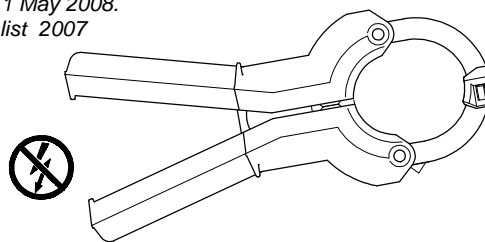
for 10

12,00

PRICE LIST 2008

Edition 1

Valid on and after 1 May 2008.
Cancel the price list 2007



CLAMP-ON CURRENT TRANSFORMERS AC

RANGE NS 100 mA 1000A AC

Codes	TYPES		Output connections	Colour	U.P Euros
◆ Output current.					
N361	NS	1000A / 1A	Safety sockets Ø4 mm.	Grise	137
N362	NS	1000A / 5A			162
N363	NS	100A / 1A	Safety sockets Ø4 mm.	Grise	152
N364	NS	125A / 1A			
N365	NS	150A / 1A			
N366	NS	200A / 1A			
N367	NS	250A / 1A			
N368	NS	300A / 1A			
N369	NS	400A / 1A			
N370	NS	500A / 1A			
N371	NS	600A / 1A			
N372	NS	800A / 1A			
N373	NS	100A / 2A	Safety sockets Ø4 mm.	Grey	160
N375	NS	150A / 2A			
N376	NS	200A / 2A			
N377	NS	250A / 2A			
N378	NS	300A / 2A			
N379	NS	400A / 2A			
N380	NS	500A / 2A			
N381	NS	600A / 2A			
N382	NS	800A / 2A			
N383	NS	1000A / 2A			
N386	NS	150A / 3A	Safety sockets Ø4 mm.	Grey	166
N387	NS	200A / 3A			
N388	NS	250A / 3A			
N389	NS	300A / 3A			
N390	NS	600A / 3A			
N391	NS	900A / 3A			
N394	NS	150A / 5A	Safety sockets Ø4 mm.	Grey	179
N395	NS	200A / 5A			
N396	NS	250A / 5A			
N397	NS	300A / 5A			
N398	NS	400A / 5A			
N399	NS	500A / 5A			
N400	NS	600A / 5A			
N401	NS	800A / 5A			

◆ Output current (protected).

N402	NS.P	500A / 1A	Safety sockets Ø4 mm.	Grey	175
N403	NS.P	600A / 1A			
N404	NS.P	800A / 1A			
N405	NS.P	1000A / 1A			

• Transport suitcase for Clamps of the Ranges US-NS-S and SM

31AT02 For 1 clamp

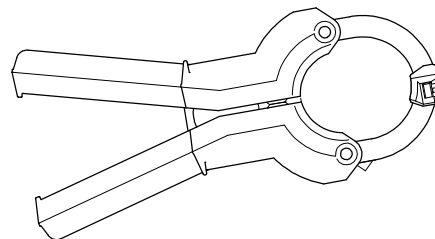
11,60

PRICE LIST 2008

Edition 1

Valid on and after 1 May 2008.
Cancel the price list 2007

CLAMP-ON CURRENT TRANSFORMERS AC



RANGE NS 100 mA 1000A AC

Codes	TYPES	Output connections	Colour	U.P Euros
-------	-------	--------------------	--------	--------------

◆ **Output multi ratios current**

N428	NS	100-150-200A / 1A	Safety sockets Ø4 mm.	Grey	192
N429	NS	100-200-300A / 1A			
N430	NS	100-200-400A / 1A			
N431	NS	100-500-1000A / 1A			
N432	NS	125-250-500A / 1A			
N433	NS	150-300-600A / 1A			
N434	NS	200-400-600A / 1A			
N435	NS	200-400-800A / 1A			
N436	NS	250-500-750A / 1A			
N437	NS	250-500-1000A / 1A			
N438	NS	400-600-1000A / 1A			
N444	NS	150-300-600A / 5A	Safety sockets Ø4 mm.	Grey	210
N445	NS	200-400-600A / 5A			
N446	NS	200-400-800A / 5A			
N447	NS	250-500-750A / 5A			
N448	NS	250-500-1000A / 5A			
N449	NS	400-600-1000A / 5A			

◆ **Emitting clamp for alternating current.**

N1356 NS.I Emitting

All the clamps can be designed in order to inject signals on cables.
Applications: Cable fault location, current flow, cables identification,

◆ **DOUBLE output current and voltage.**

N1330	NS.D	100A / 1A et 5V	Safety sockets Ø4 mm.	Blue	259
N1331	NS.D	125A / 1A et 5V			
N1332	NS.D	150A / 1A et 5V			
N1333	NS.D	200A / 1A et 5V			
N1334	NS.D	250A / 1A et 5V			
N1335	NS.D	300A / 1A et 5V			
N1336	NS.D	400A / 1A et 5V			
N1337	NS.D	500A / 1A et 5V			
N1338	NS.D	600A / 1A et 5V			
N1339	NS.D	800A / 1A et 5V			
N1340	NS.D	1000A / 1A et 5V			

Options: output 5A - output 0,5V or 1V or 2V or 3Vac. (Please contact us).

◆ **Output with protected current and voltage.**

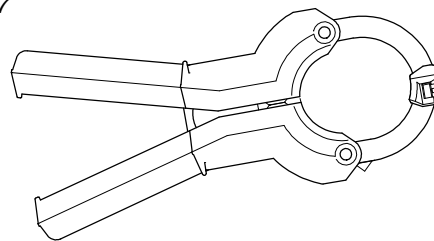
N1354	NS.DP	1000A / 1A et 1Vac	Safety sockets Ø4 mm.	Blue	270
-------	-------	--------------------	-----------------------	------	-----

PRICE LIST 2008

Edition 1

Valid on and after 1 May 2008.
Cancel the price list 2007

CLAMP-ON CURRENT TRANSFORMERS AC



RANGE NS 100 mA 1000A AC

Code TYPES Output connections Colour U.P
Euros

◆ **output voltage AC.**

N406	NS.U	100A / 5Vac	Safety sockets Ø4 mm.	Blue	204
N407	NS.U	125A / 5Vac			
N408	NS.U	150A / 5Vac			
N409	NS.U	200A / 5Vac			
N410	NS.U	250A / 5Vac			
N411	NS.U	300A / 5Vac			
N412	NS.U	400A / 5Vac			
N413	NS.U	500A / 5Vac			
N414	NS.U	600A / 5Vac			
N415	NS.U	800A / 5Vac			
N416	NS.U	1000A / 5Vac			
N450	NS.U	25-50-100A / 1Vac	Safety sockets Ø4 mm.	Blue	272
N451	NS.U	250-500-1000A / 1Vac			

Options: output 2V or 3V or 5Vac. (Please contact us).

N417	NS-UE	100A / 1Vac	Safety sockets Ø4 mm-	Blue	152
N418	NS-UE	125A / 1Vac			
N419	NS-UE	150A / 1Vac			
N420	NS-UE	200A / 1Vac			
N421	NS-UE	250A / 1Vac			
N422	NS-UE	300A / 1Vac			
N423	NS-UE	400A / 1Vac			
N424	NS-UE	500A / 1Vac			
N425	NS-UE	1000A / 1Vac			
	NS-UE	250-500-1000A / 1Vac			213

Options: output 0,5V or 1,5V or 2Vac. (Please contact us).

WARNING : Other ratios possible but limited for safety reasons.

◆ **Output voltage DC . (Self-fed clamps)**

N426	NS.V	100A / 1Vdc	Safety sockets Ø4 mm.	Blue	268
N427	NS.V	1000A / 1Vdc			
N452	NS.V	25-50-100A / 1Vdc	Safety sockets Ø4 mm.	Blue	300
N453	NS.V	250-500-1000A / 1Vdc			

“Special outputs”, Cables and leads with choice of the ends, see page: 51 supplements
“Typical electrical schemes of the clamp-on current transformers - Part 1 and 2” last pages.

Others colours - Others ratios : manufactured on request, please contact us.

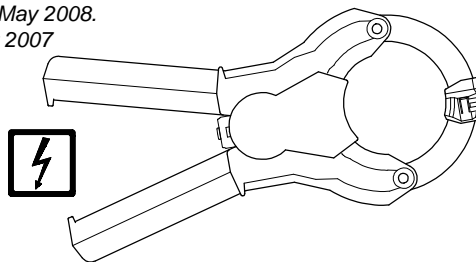
WARNING: Probes with voltage output must be connected to instruments with high impedance (≥ 1 Mohm).
For any lower impedance (eg 10 kohm) please contact us.

•	Spare jaw protectors for US and NS types				
		for 10			12,00
•	Transport suitcase for Clamps of the Ranges US-NS-S and SM				
	31AT02	For 1 clamp			11,60

PRICE LIST 2008

Edition 1

Valid on and after 1 May 2008.
Cancel the price list 2007



CLAMP-ON CURRENT TRANSFORMERS AC

RANGE	S	100 mA 1200A					
Codes	TYPE	RATIOS	Output connections	Colour	U.P Euros		
◆ Output current							
S1006	S	1000A / 0.5A	Safety sockets Ø4 mm.	Grey	179		
S455	S	1000A / 1A			139		
	S	1000A / 5A			163		
	S.B	1000A / 1A			201		
S458	S	100A / 1A	Safety sockets Ø4 mm.	Grey	153		
S459	S	125A / 1A					
S460	S	150A / 1A					
S461	S	200A / 1A					
S462	S	250A / 1A					
S463	S	300A / 1A					
S464	S	400A / 1A					
S465	S	500A / 1A					
S466	S	600A / 1A					
S469	S	800A / 1A					
S470	S	100A / 2A			Safety sockets Ø4 mm.	Grey	162
S471	S	125A / 2A					
S472	S	150A / 2A					
S473	S	200A / 2A					
S474	S	300A / 2A					
S475	S	400A / 2A					
S476	S	500A / 2A					
S477	S	600A / 2A					
S478	S	800A / 2A					
S479	S	1000A / 2A					
S481	S	125A / 3A	Safety sockets Ø4 mm.	Grey	167		
S482	S	150A / 3A					
S483	S	200A / 3A					
S484	S	300A / 3A					
S485	S	600A / 3A					
S486	S	900A / 3A					
S489	S	150A / 5A	Safety sockets Ø4 mm.	Grey	180		
S490	S	200A / 5A					
S491	S	250A / 5A					
S492	S	300A / 5A					
S493	S	400A / 5A					
S494	S	500A / 5A					
S495	S	600A / 5A					
S496	S	800A / 5A					
◆ Output current (protected)							
S1358	S.P	500A / 1A	Safety sockets Ø4 mm.	Grey	175		
S1359	S.P	600A / 1A					
S1360	S.P	800A / 1A					
S1361	S.P	1000A / 1A			160		

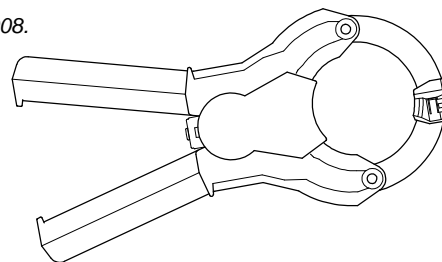
PRICE LIST 2008

Edition 1

Valid on and after 1 May 2008.
Cancel the price list 2007

CLAMP-ON CURRENT TRANSFORMERS AC

RANGE S 10 mA 1200A



Codes	TYPE	RATIOS	Output connections	Colour	U.P Euros
◆ Output multi ratio current					
S518	S	100-150-200A / 1A	Safety sockets Ø4 mm.	Grey	194
S519	S	100-200-300A / 1A			
S521	S	100-500-1000A / 1A			
S522	S	125-250-500A / 1A			
S523	S	150-300-600A / 1A			
S524	S	200-400-600A / 1A			
S525	S	200-400-800A / 1A			
S526	S	250-500-750A / 1A			
S015	S	250-500-1000A / 1A			
S527	S	400-600-1000A / 1A			
S528	S	400-600-1200A / 1A	Safety sockets Ø4 mm.	Grey	210
S533	S	125-250-500A / 5A			
S534	S	150-300-600A / 5A			
S535	S	200-400-600A / 5A			
S536	S	200-400-800A / 5A			
S537	S	250-500-750A / 5A			
S539	S	400-600-1000A / 5A			
S540	S	400-600-1200A / 5A			

Emitting clamps for alternating current

S1374 S.I Emitting

All the clamps can be designed by us in order to inject signals on cables.

Applications: Cable fault location, current flow, cables identification, ...

◆ DOUBLE output : simultaneous current and AC Voltage

S1362	S.D	100A / 1A et 5V	Safety sockets Ø4 mm.	Blue	260
S1363	S.D	125A / 1A et 5V			
S1364	S.D	150A / 1A et 5V			
S1365	S.D	200A / 1A et 5V			
S1366	S.D	250A / 1A et 5V			
S1367	S.D	300A / 1A et 5V			
S1368	S.D	400A / 1A et 5V			
S1369	S.D	500A / 1A et 5V			
S1370	S.D	600A / 1A et 5V			
S1371	S.D	800A / 1A et 5V			
S1372	S.D	1000A / 1A et 5V			

Options: output : 5A - output : 0,5V or 1V or 2V or 3V. (Please, contact us).

◆ DOUBLE output with protected Current and Voltage

S1373	S.DP	1000A / 1A et 1Vac	Safety sockets Ø4 mm.	Blue	270
-------	------	--------------------	-----------------------	------	-----

• Spare protectors "Anti short-circuits" for the Range S

for 10

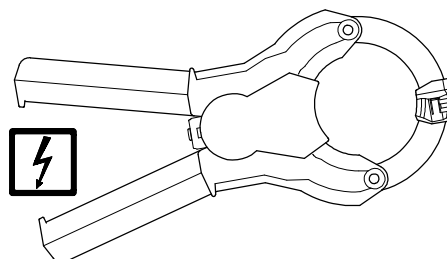
12,00

PRICE LIST 2008

Edition 1

Valid on and after 1 May 2008.
Cancel the price list 2007

CLAMP-ON CURRENT TRANSFORMERS AC



RANGE		S	10 mA 1200A		Output connections	Colour	U.P Euros
Codes		TYPES					
◆ Output voltage AC.							
S497	T	S.U	100A / 5Vac		Safety sockets Ø4 mm.	Blue	210
S498		S.U	125A / 5Vac				
S499		S.U	150A / 5Vac				
S500		S.U	200A / 5Vac				
S501		S.U	250A / 5Vac				
S502		S.U	300A / 5Vac				
S013		S.U	400A / 5Vac				
S503		S.U	500A / 5Vac				
S504		S.U	600A / 5Vac				
S505		S.U	800A / 5Vac				
S506		S.U	1000A / 5Vac				
S541		S.U	25-50-100A / 1Vac		Safety sockets Ø4 mm.	Blue	281
S542		S.U	250-500-1000A / 1Vac				
S1779		S.U	10-200-1000A / 1Vac				
<i>Options: output 2V or 3V or 5Vac. (Please contact us).</i>							
S893	EP	S.SUB	1A / 1Vac		Safety sockets Ø4 mm.	Blue	234
S2188		S.SUB	5A / 1 Vac				
S1976		S.SUB	10A / 1 Vac				
S2189		S-UB	10-100-1000A / 1 Vac				285
S507	P	S-UE	100A / 1Vac		Safety sockets Ø4 mm-	Blue	162
S508	P	S-UE	125A / 1Vac				
S509	P	S-UE	150A / 1Vac				
S510	P	S-UE	200A / 1Vac				
S511	P	S-UE	250A / 1Vac				
S512	P	S-UE	300A / 1Vac				
S513	P	S-UE	400A / 1Vac				
S514		S-UE	500A / 1Vac				
S028		S-UE	1000A / 1Vac				
	P	S-UE	250-500-1000A / 1Vac				230
<i>Options: output 0,5V or 1,5V or 2Vac. (Please contact us).</i>							

WARNING : Other ratios available but limited for safety reasons.

◆ Output voltage DC. Self-fed clamps							
S516	T	S.V	100A / 1Vdc		Safety sockets Ø4 mm.	Blue	276
S517		S.V	1000A / 1Vdc				
S543		S.V	25-50-100A / 1Vdc				310
S544		S.V	250-500-1000A / 1Vdc				
		S.VB	10A / 1Vdc				313
		S.VB	50A / 5Vdc				
		S.VB	25-50-100A / 1Vdc				347

WARNING: Probes with voltage output must be connected to instruments with high impedance (>= 1 Mohm). For any lower impedance (eg 10 kohm) please contact us.

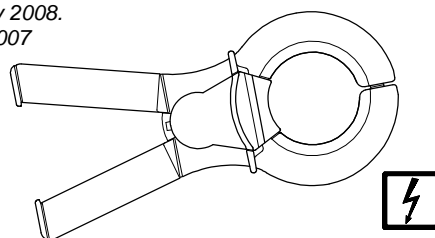
“Special outputs”, Cables and leads with choice of the ends, see page: 51 supplements
“Typical electrical schemes of the clamp-on current transformers - Part 1 and 2” last pages.

Others colours - Others ratios : manufactured on request, please contact us.

PRICE LIST 2008

Edition 1

Valid on and after 1 May 2008.
Cancel the price list 2007



CLAMP-ON CURRENT TRANSFORMERS AC

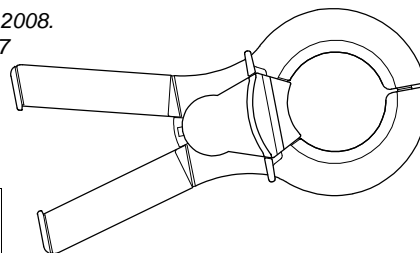
RANGE	SM	1 mA 1400A	AC			
Codes	TYPES	RATIOS	output connections	Colour	U.P	Euros
◆ Output current.						
SM2083	SM	1200A / 1A	Safety sockets Ø4 mm.	Grey	163	
SM2084	SM	1000A / 1A			160	
SM2085	SM	1200A / 5A			215	
SM2086	SM	1000A / 5A			214	
SM2087	SM	100A / 1A	Safety sockets Ø4 mm.	Grey	164	
SM2088	SM	125A / 1A				
SM2089	SM	150A / 1A				
SM2090	SM	200A / 1A				
SM2091	SM	250A / 1A				
SM2092	SM	300A / 1A				
SM2093	SM	400A / 1A				
SM2094	SM	500A / 1A				
SM2095	SM	600A / 1A				
SM2096	SM	800A / 1A				
SM2097	SM	100A / 2A	Safety sockets Ø4 mm.	Grey	169	
SM2098	SM	200A / 2A				
SM2099	SM	400A / 2A				
SM2100	SM	600A / 2A				
SM2102	SM	1000A / 2A				
SM2104	SM	150A / 3A	Safety sockets Ø4 mm.	Grey	179	
SM2105	SM	300A / 3A				
SM2106	SM	600A / 3A				
SM2107	SM	900A / 3A				
SM2117	SM	200A / 5A	Safety sockets Ø4 mm.	Grey	215	
SM2118	SM	250A / 5A				
SM2119	SM	500 A / 5A				
SM2120	SM	800A / 5A				
PR1200X	SM.B	1000A / 1A	Safety sockets Ø4 mm.	Grey	314	
◆ Output current (protected).						
SM2121	SM.P	500A / 1A	Safety sockets Ø4 mm.	Grey	170	
SM2122	SM.P	600A / 1A				
SM2123	SM.P	800A / 1A				
SM2124	SM.P	1000A / 1A				

Those CLAMPS are equipped with the patented system anti short-circuit SIAC ®

PRICE LIST 2008

Edition 1

Valid on and after 1 May 2008.
Cancel the price list 2007



CLAMP-ON CURRENT TRANSFORMERS AC

RANGE SM 1 mA 1400A AC

Codes	TYPES		Output connections	Colour	U.P Euros
-------	-------	--	--------------------	--------	--------------

◆ **Output multi ratios current.**

SM2153	SM	100-150-200A / 1A	Safety sockets Ø4 mm.	Grey	205
SM2154	SM	100-200-400A / 1A			
SM2155	SM	100-500-1000A / 1A			
SM2156	SM	125-250-500A / 1A			
SM2157	SM	150-300-600A / 1A			
SM2158	SM	200-400-600A / 1A			
SM2159	SM	200-400-800A / 1A			
SM2160	SM	100-500-1000A / 1A			
SM2161	SM	250-500-1000A / 1A			
SM2162	SM	400-600-1200A / 1A			
SM2167	SM	125-250-500A / 5A	Safety sockets Ø4 mm.	Grey	228
SM2168	SM	150-300-600A / 5A			
SM2169	SM	200-400-800A / 5A			
SM2170	SM	250-500-1000A / 5A			
SM2171	SM	400-600-1000A / 5A			
SM2172	SM	400-600-1200A / 5A			

Options: output 2A or 3A or 4A

NOTE: for multi ranges probes, range select is done by switching between the 4 output sockets. Therefore no other optional output is possible for these probes.

◆ **DOUBLE output current and voltage AC.**

SM2134	SM.D	100A / 1A et 5V	Safety sockets Ø4 mm.	Blue	260
SM2135	SM.D	200A / 1A et 5V			
SM2136	SM.D	300A / 1A et 5V			
SM2137	SM.D	400A / 1A et 5V			
SM2138	SM.D	500A / 1A et 5V			
SM2139	SM.D	600A / 1A et 5V			
SM2140	SM.D	800A / 1A et 5V			
SM2141	SM.D	1000A / 1A et 5V			

Current option: 5A output (except 100A) - Voltage output: 0,5V or 1V or 2V or 3V. (Please contact us).

◆ **DOUBLE output with protected current and voltage.**

SM2142	SM.DP	1000A / 1A et 1Vac	Safety sockets Ø4 mm	Blue	287
--------	--------------	---------------------------	----------------------	------	------------

**Those CLAMPS are equipped with the patented system
anti short-circuit SIAC ®**

Emitting clamps for alternating current.

SM2177 **SM.I** Emitting

All the clamps can be designed in order to inject signals on cables.

Applications: Cable fault location, current flow, cables identification, ...

• **Transport suitcase for Clamps of the Ranges US-NS-S and SM**

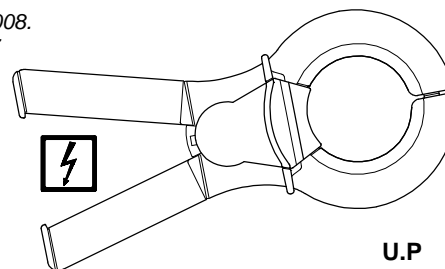
31AT02 For 1 clamp

11.60

PRICE LIST 2008

Edition 1

Valid on and after 1 May 2008.
Cancel the price list 2007



CLAMP-ON CURRENT TRANSFORMERS AC

RANGE	SM	1 mA 1400A AC
--------------	-----------	----------------------------

Codes	TYPES		Output connections	Colour	U.P Euros
◆ Output voltage AC.					
SM2125	T	SM.U	100A / 5Vac	Safety sockets Ø4 mm.	Blue 217
SM2127		SM.U	200A / 5Vac		
SM2129		SM.U	400A / 5Vac		
SM2130		SM.U	500A / 5Vac		
SM2131		SM.U	600A / 5Vac		
SM2133		SM.U	1000A / 5Vac		
		SM.U	100-500-1000A / 2Vac	Safety sockets Ø4 mm.	Blue 247
		SM.U	125-250-500A / 1Vac		
SM3097		SM.U	250-500-1000A / 5Vac		
SM2174		SM.U	250-500-1000A / 1Vac		
SM2209		SM.U	10-100-1000A / 1Vac	Safety sockets Ø4 mm.	Blue 276
SM2173		SM.U	25-50-100A / 1Vac		
<i>Options: output 2V or 3V or 5Vac. (Please contact us).</i>					
SM2184	EP	SM.UB	(1) 1A / 1Vac	Safety sockets Ø4 mm	Blue 293
SM2185		SM.UB	5A / 1Vac		268
SM2186		SM.UB	10A / 1Vac		
SM2187		SM.UB	25A / 1Vac		
SM2537		SM.UB	50A / 5Vac		
SM2457		SM.UB	1-100-1000A / 1Vac	Safety sockets Ø4 mm	Blue 337
SM2457		SM.UB	2-20-200A / 2Vac		
(1) 25A Max (100A-1 mn/30 mn)					
<i>Options: output 0,5V or 1V or 2V. (Please contact us).</i>					
SM2143	P	SM-UE	100A / 1Vac	Safety sockets Ø4 mm	Blue 197
SM2145	P	SM-UE	200A / 1Vac		
SM2148	P	SM-UE	400A / 1Vac		
SM2149	P	SM-UE	500A / 1Vac		
SM2150	P	SM-UE	1000A / 1Vac		
	P	SM-UE	250-500-1000A / 1Vac	Safety sockets Ø4 mm	Blue 260
<i>Options: output 0,5V or 1,5V or 2Vac. (Please contact us).</i>					

WARNING : Other ratios available but limited for safety reasons.

◆ Special for oscilloscope

SM.UF	1000A / 1Vac	Lead 2m with BNC	Blue	314
SM.UBF	1000A / 1Vac			421

◆ Output voltage DC. Auto-fed.

SM2151	E	SM.V	100A / 1Vdc	Safety sockets Ø4 mm.	Blue 287
SM2152		SM.V	1000A / 1Vdc		
SM2175	EP	SM.V	25-50-100A / 1Vdc		319
SM2176		SM.V	250-500-1000A / 1Vdc		
SM	EP	SM.VB	25A / 10Vdc	Safety sockets Ø4 mm.	Blue 333
SM		SM.VB	40A / 10Vdc		
		SM.VB	25-50-100A / 1Vdc	Safety sockets Ø4 mm.	Blue 374

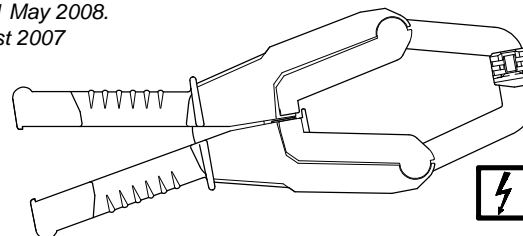
Those clamps are equipped with the Internal protection system anti short-circuit SIAC ®

WARNING: Probes with voltage output must be connected to instruments with high impedance (>= 1 Mohm). For any lower impedance (eg 10 kohm) please contact us.

PRICE LIST 2008

Edition 1

Valid on and after 1 May 2008.
Cancel the price list 2007



CLAMP-ON CURRENT TRANSFORMERS AC

RANGE E16 1A ... 1600A

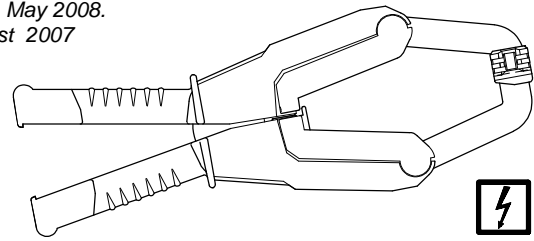
Codes	TYPES		standardized output connections	Colour	U.P Euros
◆ Output current					
E032	E16	100A / 1A	Safety sockets Ø4 mm.	Grey	264
E033	E16	125A / 1A			
E034	E16	150A / 1A			
E035	E16	200A / 1A			
E036	E16	250A / 1A			
E037	E16	300A / 1A			
E038	E16	400A / 1A			
E039	E16	500A / 1A			
E040	E16	600A / 1A			
E041	E16	800A / 1A			
E042	E16	1000A / 1A			
E043	E16	1200A / 1A			
E044	E16	1250A / 1A			
E045	E16	1500A / 1A			
E046	E16	1500A / 1.5A			
E1343	E16	100A / 5A	Safety sockets Ø4 mm.	Grey	264
E048	E16	125A / 5A			
E049	E16	150A / 5A			
E050	E16	200A / 5A			
E051	E16	250A / 5A			
E052	E16	300A / 5A			
E053	E16	400A / 5A			
E054	E16	500A / 5A			
E055	E16	600A / 5A			
E056	E16	800A / 5A			
E057	E16	1000A / 5A			
E058	E16	1200A / 5A			
E059	E16	1250A / 5A			
E060	E16	1500A / 5A			
◆ Output protected current.					
E061	E16.P	1000A / 1A	Safety sockets Ø4 mm.	Grey	278
E062	E16.P	1200A / 1A			
E063	E16.P	1250A / 1A			
E064	E16.P	1500A / 1A			
◆ Output multi ratios current.					
More 100 POSSIBLE COMBINATIONS					
E094	E16	100-150-200A / 1A	Safety sockets Ø4 mm.	Grey	287
E095	E16	100-200-300A / 1A			
E096	E16	100-200-400A / 1A			
E097	E16	100-500-1000A / 1A			
E098	E16	125-250-500A / 1A			
E026	E16	150-300-600A / 1A			
E099	E16	200-400-600A / 1A			
E103	E16	200-400-800A / 1A			
E104	E16	250-500-750A / 1A			
E105	E16	250-500-1000A / 1A			
E106	E16	400-600-1000A / 1A			
E107	E16	500-1000-1500A / 1A			

PRICE LIST 2008

Edition 1

Valid on and after 1 May 2008.
Cancel the price list 2007

CLAMP-ON CURRENT TRANSFORMERS AC



RANGE E16 1A 1600A

Codes

TYPES

Output connections

Colour

U.P
Euros

◆ **Output current. (continuation)**

Mor than an 100 POSSIBLE COMBINATIONS

Code	Type	Range	Output connections	Colour	U.P Euros
E108	E16	100-150-200A / 5A	Safety sockets Ø4 mm.	Grey	287
E109	E16	100-200-300A / 5A			
E007	E16	100-200-400A / 5A			
E110	E16	100-500-1000A / 5A			
E031	E16	125-250-500A / 5A			
E111	E16	150-300-600A / 5A			
E112	E16	200-400-800A / 5A			
E113	E16	250-500-750A / 5A			
E021	E16	250-500-1000A / 5A			
E114	E16	400-600-1000A / 5A			
E115	E16	500-1000-1500A / 5A			

NOTE: for multi ranges probes, range select is done by switching between the 4 output sockets. Therefore no other optional output is possible for these probes.

◆ **DOUBLE output current and voltage AC.**

Code	Type	Range	Output connections	Colour	U.P Euros
E1378	E16.D	100A / 1A et 5V	Safety sockets Ø4 mm.	Blue	346
E1379	E16.D	125A / 1A et 5V			
E1380	E16.D	150A / 1A et 5V			
E1381	E16.D	200A / 1A et 5V			
E1382	E16.D	250A / 1A et 5V			
E1383	E16.D	300A / 1A et 5V			
E1384	E16.D	400A / 1A et 5V			
E1385	E16.D	500A / 1A et 5V			
E1386	E16.D	600A / 1A et 5V			
E1387	E16.D	750A / 1A et 5V			
E1388	E16.D	800A / 1A et 5V			
E1389	E16.D	1000A / 1A et 5V			
E1390	E16.D	1200A / 1A et 5V			
E1391	E16.D	1250A / 1A et 5V			
E1392	E16.D	1500A / 1A et 5V			

Current option: 5A output (except 100A and 125A) - Voltage output: 0,5V or 1V or 2V or 3V. (Please contact us).

◆ **DOUBLE output with protected current and voltage AC.**

Code	Type	Range	Output connections	Colour	U.P Euros
E1393	E16.DP	1000A / 1A et 5V	Safety sockets Ø4 mm.	Blue	368
E1394	E16.DP	1200A / 1A et 5V			
E1395	E16.DP	1250A / 1A et 5V			
E1396	E16.DP	1500A / 1A et 5V			

Options: output: 0,5V or 1V or 2V or 3Vac. (Please contact us).

WARNING: Probes with voltage output must be connected to instruments with high impedance (>= 1 Mohm). For any lower impedance (eg 10 kohm) please contact us.

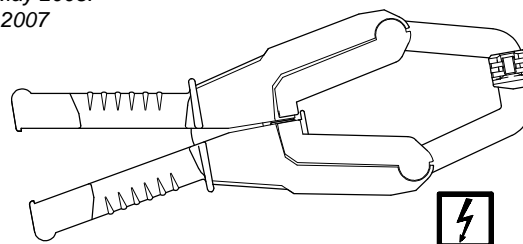
PRICE LIST 2008

Edition 1

Valid on and after 1 May 2008.
Cancel the price list 2007

CLAMP-ON CURRENT TRANSFORMERS AC

RANGE E16 1A 1600A AC



Codes

TYPES

Output connections

Colour

U.P
Euros

◆ **Output voltage AC.**

E065	T	E16.U	100A / 5Vac	Safety sockets Ø4 mm.	Blue	324
E066		E16.U	125A / 5Vac			
E067		E16.U	150A / 5Vac			
E068		E16.U	200A / 5Vac			
E069		E16.U	250A / 5Vac			
E070		E16.U	300A / 5Vac			
E071		E16.U	400A / 5Vac			
E072		E16.U	500A / 5Vac			
E073		E16.U	600A / 5Vac			
E074		E16.U	800A / 5Vac			
E075		E16.U	1000A / 5Vac			
E076		E16.U	1200A / 5Vac			
E077		E16.U	1250A / 5Vac			
E078		E16.U	1500A / 5Vac			
E116		E16.U	100-200-400A / 1Vac	Safety sockets Ø4 mm.	Blue	376
E117		E16.U	100-250-500A / 1Vac			
E118		E16.U	100-500-1000A / 1Vac			
E119		E16.U	150-300-600A / 1Vac			
E120		E16.U	200-400-800A / 1Vac			
E121		E16.U	250-500-1000A / 1Vac			
E122		E16.U	500-1000-1500A / 1Vac			
E123		E16.U	250-500-1000A / 2Vac			
E124		E16.U	500-1000-1500A / 2Vac			

Options: output 2V or 3V or 5Vac. (Please contact us).

E079		E16.UE	1000A / 1Vac	Safety sockets Ø4 mm.	Blue	283
E080		E16.UE	1200A / 1Vac			
E081		E16.UE	1250A / 1Vac			
E082		E16.UE	1500A / 1Vac			
E083		E16.UE	1000A / 1.5Vac			
E084		E16.UE	1200A / 1.5Vac			
E085		E16.UE	1250A / 1.5Vac			
E086		E16.UE	1500A / 1.5Vac			
E087		E16.UE	1000A / 2Vac			
E088		E16.UE	1200A / 2Vac			
E089		E16.UE	1250A / 2Vac			
E090	P	E16.UE	1500A / 2Vac			
		E16.UE	500-1000-1500A / 1Vac	Safety sockets Ø4 mm.	Blue	340

Options: output 0,5V or 1,5V or 2Vac. (Please contact us).

WARNING : Other ratios possible but limited for safety reasons.

◆ **Output voltage DC.**

E091	T	E16.V	100A / 1Vdc	Safety sockets Ø4 mm.	Blue	335
E092		E16.V	1000A / 1Vdc			
E093		E16.V	1500A / 1Vdc			
E125		E16.V	100-200-400A / 1Vdc			377
E126		E16.V	100-250-500A / 1Vdc			
E127		E16.V	250-500-1000A / 1Vdc			
E128		E16.V	250-500-1000A / 2Vdc			
E129		E16.V	500-1000-1500A / 1Vdc			
E130		E16.V	500-1000-1500A / 2Vdc			

“Special outputs”, Cables and leads with choice of the ends, see

page: 51 supplements

“Typical electrical schemes of the clamp-on current transformers - Part 1 and 2” last pages.

Others colours - Others ratios : manufactured on request, please contact us.

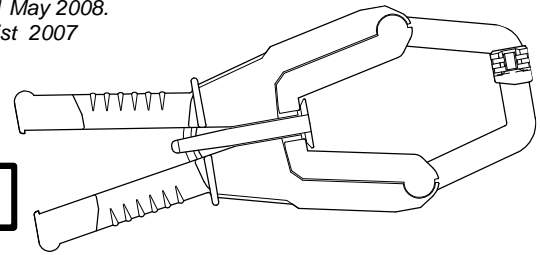
PRICE LIST 2008

Edition 1

Valid on and after 1 May 2008.
Cancel the price list 2007

CLAMP-ON CURRENT TRANSFORMERS AC

RANGE H16 1A 1600A



Code	Types		Output connections	Colour	U.P Euros
◆ Output current.					
H132	H16	100A / 1A	Safety sockets Ø4 mm.	Grey	320
H133	H16	125A / 1A			
H134	H16	150A / 1A			
H135	H16	200A / 1A			
H136	H16	250A / 1A			
H137	H16	300A / 1A			
H138	H16	400A / 1A			
H139	H16	500A / 1A			
H140	H16	600A / 1A			
H141	H16	800A / 1A			
H142	H16	1000A / 1A			
H143	H16	1200A / 1A			
H144	H16	1250A / 1A			
H145	H16	1500A / 1A			
H146	H16	1500A / 1.5A			
H147	H16	100A / 5A	Safety sockets Ø4 mm.	Grey	320
H148	H16	125A / 5A			
H149	H16	150A / 5A			
H150	H16	200A / 5A			
H151	H16	250A / 5A			
H152	H16	300A / 5A			
H153	H16	400A / 5A			
H154	H16	500A / 5A			
H155	H16	600A / 5A			
H156	H16	800A / 5A			
H157	H16	1000A / 5A			
H158	H16	1200A / 5A			
H159	H16	1250A / 5A			
H160	H16	1500A / 5A			

For the CLAMPS output 5A, no other output is proposed in the standard.

◆ Output current (protected).

H856	H16.P	1000A / 1A	Safety sockets Ø4 mm.	Grey	342
H1399	H16.P	1200A / 1A			
H1400	H16.P	1250A / 1A			
H1401	H16.P	1500A / 1A			

• Spare protectors “Anti short-circuits” for the Ranges E16, H16 and P16

for 10

30.00

• Transport suitcase for Clamps of the Ranges E16 to P32

35AT02 For 1 clamp

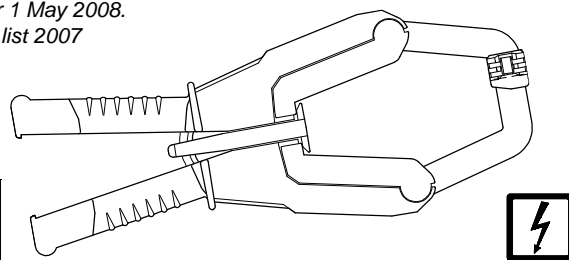
55,00

PRICE LIST 2008

Edition 1

Valid on and after 1 May 2008.
Cancel the price list 2007

CLAMP-ON CURRENT TRANSFORMERS AC



RANGE	H16	1A 1600A
--------------	------------	-----------------------

Codes

Types

Output connections

Colour

U.P
Euros

◆ **Output multi ratios current.**

H187	H16	100-150-200A / 1A
H188	H16	100-200-300A / 1A
H189	H16	100-200-400A / 1A
H190	H16	100-500-1000A / 1A
H191	H16	125-250-500A / 1A
H192	H16	150-300-600A / 1A
H193	H16	200-400-600A / 1A
H194	H16	200-400-800A / 1A
H195	H16	250-500-750A / 1A
H196	H16	250-500-1000A / 1A
H197	H16	400-600-1000A / 1A
H198	H16	500-1000-1500A / 1A

more than 100 POSSIBLE COMBINATIONS !

Safety sockets Ø4 mm.

Grey

349

H199	H16	100-150-200A / 5A
H200	H16	100-200-300A / 5A
H201	H16	100-200-400A / 5A
H202	H16	100-500-1000A / 5A
H203	H16	125-250-500A / 5A
H204	H16	150-300-600A / 5A
H205	H16	200-400-600A / 5A
H206	H16	200-400-800A / 5A
H207	H16	250-500-750A / 5A
H208	H16	250-500-1000A / 5A
H209	H16	400-600-1000A / 5A
H210	H16	500-1000-1500A / 5A

Safety sockets Ø4 mm.

Grey

349

Emitting clamp for alternating current.

H1428

H16.I

Emitting

All the clamps can be designed in order to inject signals on cables.
Applications: Cable fault location, current flow, cables identification,

◆ **DOUBLE output current and voltage AC.**

H1402	H16.D	100A / 1A and 5V
H1403	H16.D	125A / 1A and 5V
H1404	H16.D	150A / 1A and 5V
H1405	H16.D	200A / 1A and 5V
H1406	H16.D	250A / 1A and 5V
H1407	H16.D	300A / 1A and 5V
H1408	H16.D	400A / 1A and 5V
H1409	H16.D	500A / 1A and 5V
H1410	H16.D	600A / 1A and 5V
H1411	H16.D	750A / 1A and 5V
H1412	H16.D	800A / 1A and 5V
H1413	H16.D	1000A / 1A and 5V
H1414	H16.D	1200A / 1A and 5V
H1415	H16.D	1250A / 1A and 5V
H1416	H16.D	1500A / 1A and 5V

Safety sockets Ø4 mm.

Blue

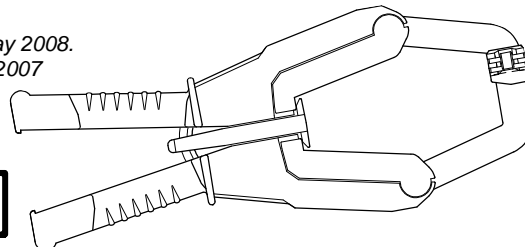
392

Options: output: 5A - output: 0,5V or 1V or 2V or 3Vac.(Please contact us).

PRICE LIST 2008

Edition 1

Valid on and after 1 May 2008.
Cancel the price list 2007



CLAMP-ON CURRENT TRANSFORMERS AC

RANGE	H16	1A 1600A
--------------	------------	-----------------------

Codes	TYPES	Connections output	Colour	U.P Euros
-------	-------	--------------------	--------	--------------

◆ **DOUBLE output with protected current and voltage AC.**

H1417	H16.DP	1000A / 1A et 5V	Safety sockets Ø4 mm.	Blue	419
H1418	H16.DP	1200A / 1A et 5V			
H1419	H16.DP	1250A / 1A et 5V			
H1420	H16.DP	1500A / 1A et 5V			

Options: output: 0,5V or 1V or 2V or 3Vac.(Please contact us).

◆ **Output voltage AC.**

H161	T	H16.U	100A / 5Vac	Safety sockets Ø4 mm.	Blue	357
H162		H16.U	125A / 5Vac			
H163		H16.U	150A / 5Vac			
H164		H16.U	200A / 5Vac			
H165		H16.U	250A / 5Vac			
H166		H16.U	300A / 5Vac			
H167		H16.U	400A / 5Vac			
H168		H16.U	500A / 5Vac			
H169		H16.U	600A / 5Vac			
H170		H16.U	800A / 5Vac			
H171		H16.U	1000A / 5Vac			
H172		H16.U	1200A / 5Vac			
H174		H16.U	1500A / 5Vac			
H211		H16.U	100-200-400A / 1Vac	Safety sockets Ø4 mm.	Blue	426
H212		H16.U	100-250-500A / 1Vac			
H213		H16.U	100-500-1000A / 1Vac			
H214		H16.U	150-300-600A / 1Vac			
H215		H16.U	200-400-800A / 1Vac			
H216		H16.U	250-500-1000A / 1Vac			
H217		H16.U	500-1000-1500A / 1Vac			
H218		H16.U	250-500-1000A / 2Vac			
H219		H16.U	500-1000-1500A / 2Vac			

Options: output 2V or 3V or 5Vac. (Please contact us).

H175		H16.UE	1000A / 1Vac	Safety sockets Ø4 mm.	Blue	345
H176		H16.UE	1200A / 1Vac			
H177		H16.UE	1250A / 1Vac			
H178		H16.UE	1500A / 1Vac			
H179		H16.UE	1000A / 1.5Vac	Safety sockets Ø4 mm.	Blue	345
H180		H16.UE	1200A / 1.5Vac			
H181		H16.UE	1250A / 1.5Vac			
H182		H16.UE	1500A / 1.5Vac			
H183		H16.UE	1000A / 2Vac	Safety sockets Ø4 mm.	Blue	345
H184		H16.UE	1200A / 2Vac			
H185		H16.UE	1250A / 2Vac			
H186	P	H16.UE	1500A / 2Vac			
		H16.UE	500-1000-1500A / 1Vac	Safety sockets Ø4 mm.	Blue	407

Options: output 0,5V or 1,5V or 2Vac. (Please contact us).

WARNING : Other ratios possible but limited for safety reasons.

◆ **Output voltage DC.**

H1421	EP	H16.V	100A / 1Vdc	Safety sockets Ø4 mm.	Blue	362
H1422		H16.V	1000A / 1Vdc			
H1423		H16.V	1500A / 1Vdc			
H1424		H16.V	100-200-400A / 1Vdc	Safety sockets Ø4 mm.	Blue	438
H1425		H16.V	100-250-500A / 1Vdc			
H1426		H16.V	250-500-1000A / 1Vdc			
H1427		H16.V	250-500-1000A / 2Vdc			

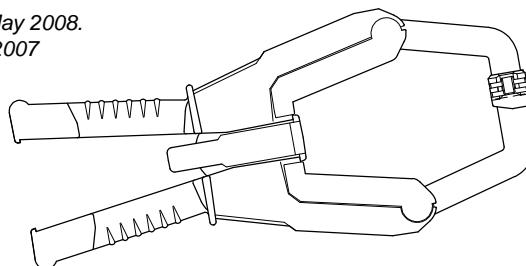
“Special outputs”, Cables and leads with choice of the ends, see page: 51 supplements
“Typical electrical schemes of the clamp-on current transformers - Part 1 and 2” last pages.

Others colours - Others ratios : please, contact us. Manufactured on request.

PRICE LIST 2008

Edition 1

Valid on and after 1 May 2008.
Cancel the price list 2007



CLAMP-ON CURRENT TRANSFORMERS AC

RANGE P16 1A 1600A

Code	TYPES	Output connections	Colour	U.P Euros
------	-------	--------------------	--------	--------------

◆ **Output current AC.**

P545	P16	100A / 1A	Safety sockets Ø4 mm.	Grey	378
P546	P16	125A / 1A			
P547	P16	150A / 1A			
P548	P16	200A / 1A			
P549	P16	250A / 1A			
P550	P16	300A / 1A			
P551	P16	400A / 1A			
P552	P16	500A / 1A			
P553	P16	600A / 1A			
P554	P16	800A / 1A			
P555	P16	1000A / 1A			
P556	P16	1200A / 1A			
P557	P16	1250A / 1A			
P558	P16	1500A / 1A			
P559	P16	1500A / 1.5A	Safety sockets Ø4 mm.	Grey	390
P562	P16	150A / 5A	Safety sockets Ø4 mm.	Grey	377
P563	P16	200A / 5A			
P564	P16	250A / 5A			
P565	P16	300A / 5A			
P566	P16	400A / 5A			
P567	P16	500A / 5A			
P568	P16	600A / 5A			
P569	P16	800A / 5A			
P570	P16	1000A / 5A			
P571	P16	1200A / 5A			
P572	P16	1250A / 5A			
P573	P16	1500A / 5A			

For the CLAMPS output 5A, no other output is proposed in the standard options.

◆ **Output protected current.**

P1432	P16.P	1000A / 1A	Safety sockets Ø4 mm.	Grey	399
P1433	P16.P	1200A / 1A			
P1434	P16.P	1250A / 1A			
P1435	P16.P	1500A / 1A			

• Spare protectors “Anti short-circuits” for the Ranges E16, H16 and P16	30.00
for 10	

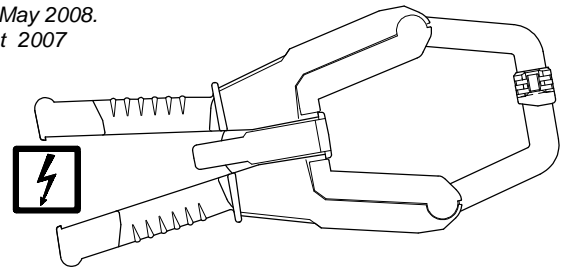
• Transport suitcase for the Clamps of the Ranges E16 to P32	55,00
35AT02 For 1 clamp	

◆ Other versions, examples		
E16	25-50-75A/1A (dedicated clamp)	Safety sockets Ø4 mm.
H16	54A/1A (dedicated clamp)	Safety sockets Ø4 mm.

PRICE LIST 2008

Edition 1

Valid on and after 1 May 2008.
Cancel the price list 2007



CLAMP-ON CURRENT TRANSFORMERS AC

RANGE	P16	1A 1600A
Codes	Types	

Output connections Colour U.P
Euros

◆ **Output multi ratios current.**

More than an 100 POSSIBLE COMBINATIONS

P600	P16	100-150-200A / 1A	Safety sockets Ø4 mm.	Grey	412
P601	P16	100-200-300A / 1A			
P602	P16	100-200-400A / 1A			
P603	P16	100-500-1000A / 1A			
P604	P16	125-250-500A / 1A			
P605	P16	150-300-600A / 1A			
P606	P16	200-400-600A / 1A			
P607	P16	200-400-800A / 1A			
P608	P16	250-500-1000A / 1A			
P609	P16	400-600-1000A / 1A			
P610	P16	500-1000-1500A / 1A			
P615	P16	125-250-500A / 5A	Safety sockets Ø4 mm.	Grey	412
P616	P16	150-300-600A / 5A			
P617	P16	200-400-600A / 5A			
P618	P16	200-400-800A / 5A			
P619	P16	250-500-1000A / 5A			
P620	P16	400-600-1000A / 5A			
P621	P16	500-1000-1500A / 5A			

REMINDER, no other output options is possible

◆ **Emitting clamp for alternating current.**

P1462 P16.I Emettrice
All the clamps can be designed in order to inject signals on cables.
Applications: Cable fault location, current flow, cables identification,

◆ **DOUBLE output current and voltage AC**

P1436	P16.D	100A / 1A et 5V	Safety sockets Ø4 mm.	Blue	426
P1437	P16.D	125A / 1A et 5V			
P1438	P16.D	150A / 1A et 5V			
P1439	P16.D	200A / 1A et 5V			
P1440	P16.D	250A / 1A et 5V			
P1441	P16.D	300A / 1A et 5V			
P1442	P16.D	400A / 1A et 5V			
P1443	P16.D	500A / 1A et 5V			
P1444	P16.D	600A / 1A et 5V			
P1445	P16.D	750A / 1A et 5V			
P1446	P16.D	800A / 1A et 5V			
P1447	P16.D	1000A / 1A et 5V			
P1448	P16.D	1200A / 1A et 5V			
P1449	P16.D	1250A / 1A et 5V			
P1450	P16.D	1500A / 1A et 5V			

Options: output: 5A - output : 0,5V or 1V or 2V or 3Vac. (Please contact us).

◆ **Output protected current and voltage AC**

P1451	P16.DP	1000A / 1A et 5V	Safety sockets Ø4 mm.	Blue	448
P1452	P16.DP	1200A / 1A et 5V			
P1453	P16.DP	1250A / 1A et 5V			
P1454	P16.DP	1500A / 1A et 5V			

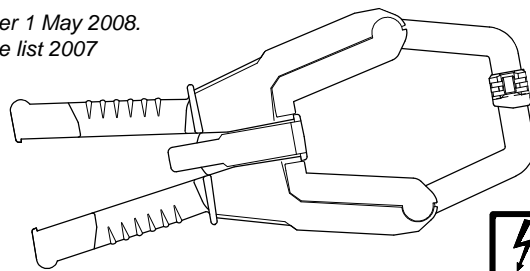
Options: output: 0,5V or 1V or 2V or 3Vac. (Please contact us).

WARNING: Probes with voltage output must be connected to instruments with high impedance (>= 1 Mohm).
For any lower impedance (eg 10 kohm) please contact us.

PRICE LIST 2008

Edition 1

Valid on and after 1 May 2008.
Cancel the price list 2007



CLAMP-ON CURRENT TRANSFORMERS AC

RANGE P16 1A 1600A

Code	Types	Output connections	Colour	U.P Euros
------	-------	--------------------	--------	--------------

◆ **Output voltage AC.**

P574	T	P16.U	100A / 5Vac	Safety sockets Ø4 mm.	Blue	407
P575		P16.U	125A / 5Vac			
P576		P16.U	150A / 5Vac			
P577		P16.U	200A / 5Vac			
P578		P16.U	250A / 5Vac			
P579		P16.U	300A / 5Vac			
P580		P16.U	400A / 5Vac			
P581		P16.U	500A / 5Vac			
P582		P16.U	600A / 5Vac			
P583		P16.U	800A / 5Vac			
P584		P16.U	1000A / 5Vac			
P585		P16.U	1200A / 5Vac			
P586		P16.U	1250A / 5Vac			
P587		P16.U	1500A / 5Vac			
P622		P16.U	100-200-400A / 1Vac			
P623		P16.U	100-250-500A / 1Vac			
P624		P16.U	100-500-1000A / 1Vac			
P625		P16.U	150-300-600A / 1Vac			
P626		P16.U	200-400-800A / 1Vac			
P627		P16.U	250-500-1000A / 1Vac			
P628		P16.U	500-1000-1500A / 1Vac			
P629		P16.U	250-500-1000A / 2Vac			
P630		P16.U	500-1000-1500A / 2Vac			

Options: output 2V or 3V or 5Vac. (Please contact us).

P588		P16-UE	1000A / 1Vac	Safety sockets Ø4 mm-	Blue	403			
P589		P16-UE	1200A / 1Vac						
P590		P16-UE	1250A / 1Vac						
P591		P16-UE	1500A / 1Vac						
P592		P16-UE	1000A / 1,5Vac						
P593		P16-UE	1200A / 1,5Vac						
P594		P16-UE	1250A / 1,5Vac						
P595		P16-UE	1500A / 1,5Vac						
P596		P16-UE	1000A / 2Vac						
P597		P16-UE	1200A / 2Vac						
P598		P16-UE	1250A / 2Vac						
P599		P16-UE	1500A / 2Vac						
	EP	P16-UE	500-1000-1500A / 1Vac				Safety sockets Ø4 mm-	Blue	471

Options: output 0,5V or 1,5V or 2Vac. (Please contact us).

WARNING : Other ratios possible but limited for safety reasons.

◆ **Output voltage DC.**

P1455	P16.V	100A / 1Vdc	Safety sockets Ø4 mm.	Blue	416
P1456	P16.V	1000A / 1Vdc			
P1457	P16.V	1500A / 1Vdc			
P1458	P16.V	100-200-400A / 1Vdc	Safety sockets Ø4 mm.	Blue	499
P1459	P16.V	100-250-500A / 1Vdc			
P1460	P16.V	250-500-1000A / 1Vdc			
P1461	P16.V	250-500-1000A / 2Vdc			

“Special outputs”, Cables and leads with choice of the ends, see page: 51 supplements

“Typical electrical schemes of the clamp-on current transformers - Part 1 and 2” last pages.

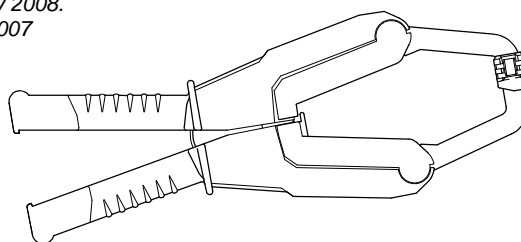
Others colours - Others ratios : manufactured on request, please contact us.

PRICE LIST 2008

Edition 1

Valid on and after 1 May 2008.
Cancel the price list 2007

CLAMP-ON CURRENT TRANSFORMERS AC



RANGE	E32	1A 3200A
--------------	------------	-----------------------

Codes	Types	Output connections	Colour	U.P Euros
-------	-------	--------------------	--------	--------------

◆ **Output current AC.**

E631	E32	500A / 1A	Safety sockets Ø4 mm.	Grey	259
E632	E32	600A / 1A			
E633	E32	800A / 1A			
E634	E32	1000A / 1A			
E635	E32	1200A / 1A			
E636	E32	1250A / 1A			
E637	E32	1500A / 1A			
E638	E32	2000A / 1A			
E639	E32	2500A / 1A			
E640	E32	3000A / 1A			
E670	(1) E32	500-1000-1500A / 1A	Safety sockets Ø4 mm.	Grey	272
E671	E32	500-1000-2000A / 1A			
E672	E32	500-1500-3000A / 1A			
E673	E32	1000-1500-3000A / 1A			
E674	E32	1000-2000-3000A / 1A			
E675	E32	1500-2000-3000A / 1A			
E641	E32	2000A / 2A	Safety sockets Ø4 mm.	Grey	259
E642	E32	3000A / 3A			
E643	E32	500A / 5A	Safety sockets Ø4 mm.	Grey	259
E644	E32	600A / 5A			
E645	E32	800A / 5A			
E646	E32	1000A / 5A			
E647	E32	1200A / 5A			
E648	E32	1250A / 5A			
E649	E32	1500A / 5A			
E650	E32	2000A / 5A			
E651	E32	2500A / 5A			
E652	E32	3000A / 5A			
E676	(1) E32	500-1000-1500A / 5A	Safety sockets Ø4 mm.	Grey	280
E677	E32	500-1000-2000A / 5A			
E678	E32	500-1500-3000A / 5A			
E679	E32	1000-1500-3000A / 5A			
E680	E32	1000-2000-3000A / 5A			
E681	E32	1500-2000-3000A / 5A			

◆ **Output current (protected).**

P1474	E32.P	1000A / 1A	Safety sockets Ø4 mm.	Grey	280
P1475	E32.P	1200A / 1A			
P1476	E32.P	1250A / 1A			
P1477	E32.P	1500A / 1A			
P1478	E32.P	2000A / 1A			
P1479	E32.P	2500A / 1A			
P1480	E32.P	3000A / 1A			

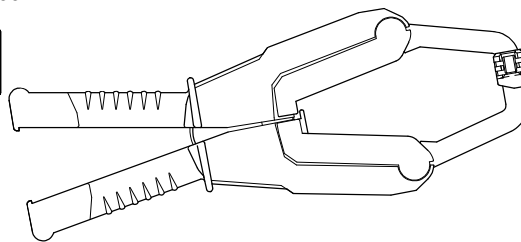
(1) for multi ranges probes, range select is done by switching between the 4 output sockets. Therefore no other optional output is possible for these probes. More than 100 POSSIBLE COMBINATIONS.

PRICE LIST 2008

Edition 1

Valid on and after 1 May 2008.
Cancel the price list 2007

CLAMP-ON CURRENT TRANSFORMERS AC



RANGE	E32	1A 3200A
Code	Types	RATIOS

Output connections Colour U.P
Euros

◆ **DOUBLE output current and voltage AC.**

E1481	E32.D	500A / 1A et 5V	Safety sockets Ø4 mm.	Blue	354
E1482	E32.D	600A / 1A et 5V			
E1483	E32.D	750A / 1A et 5V			
E1484	E32.D	800A / 1A et 5V			
E1485	E32.D	1000A / 1A et 5V			
E1486	E32.D	1200A / 1A et 5V			
E1487	E32.D	1250A / 1A et 5V			
E1488	E32.D	1500A / 1A et 5V			
E1489	E32.D	2000A / 1A et 5V			
E1490	E32.D	2500A / 1A et 5V			
E1491	E32.D	3000A / 1A et 5V			

Options: output : 5A - output : 0,5V or 1V or 2V or 3Vac. (Please contact us).

◆ **DOUBLE output with protected current and voltage AC.**

E1492	E32.DP	1000A / 1A et 5V	Safety sockets Ø4 mm.	Blue	376
E1493	E32.DP	1200A / 1A et 5V			
E1494	E32.DP	1250A / 1A et 5V			
E1495	E32.DP	1500A / 1A et 5V			
E1496	E32.DP	2000A / 1A et 5V			
E1497	E32.DP	2500A / 1A et 5V			
E1498	E32.DP	3000A / 1A et 5V			

Options: output: 0,5V or 1V or 2V or 3Vac. (Please contact us).

“Special outputs”, Cables and leads with choice of the ends, see page: 51 supplements

“Typical electrical schemes of the clamp-on current transformers - Part 1 and 2” last pages.

Others colours - Others ratios : manufactured on request, please contact us.

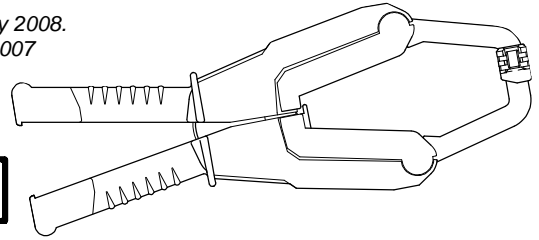
•	Spare protectors “Anti short-circuits” for the Ranges E32, H32 and P32	
	for 10	30.00

•	Transport suitcase for Clamps of the Ranges E16 to P32	
	35AT02 For 1 clamp	55,00

PRICE LIST 2008

Edition 1

Valid on and after 1 May 2008.
Cancel the price list 2007



CLAMP-ON CURRENT TRANSFORMERS AC

RANGE	E32	1A 3200A
--------------	------------	-----------------------



Codes	Types	Output connections	Colour	U.P Euros
-------	-------	--------------------	--------	--------------

◆ **Secondaire tension AC**

E653	T	E32.U	500A / 5Vac	Safety sockets Ø4 mm.	Blue	339
E654		E32.U	600A / 5Vac			
E655		E32.U	750A / 5Vac			
E656		E32.U	800A / 5Vac			
E657		E32.U	1000A / 5Vac			
E658		E32.U	1200A / 5Vac			
E659		E32.U	1250A / 5Vac			
E660		E32.U	1500A / 5Vac			
E661		E32.U	2000A / 5Vac			
E662		E32.U	2500A / 5Vac			
E663		E32.U	3000A / 5Vac			
E682		E32.U	500-1000-1500A / 1Vac	Safety sockets Ø4 mm.	Blue	363
E683		E32.U	500-1000-2000A / 1Vac			
E684		E32.U	500-1500-3000A / 1Vac			
E685		E32.U	1000-1500-3000A / 1Vac			
E686		E32.U	1000-2000-3000A / 1Vac			
E687		E32.U	1500-2000-3000A / 1Vac			
E688		E32.U	500-1000-1500 / 2Vac	Safety sockets Ø4 mm.	Blue	363
E689		E32.U	500-1000-2000A / 2Vac			
E690		E32.U	500-1500-3000A / 2Vac			
E691		E32.U	1000-1500-3000A / 2Vac			
E962		E32.U	1000-2000-3000A / 2Vac			
E693		E32.U	1500-2000-3000A / 2Vac			

Options: output 2V or 3V or 5Vac. (Please contact us).

E664		E32.UE	1000A / 1Vac	Safety sockets Ø4 mm.	Blue	280
E665		E32.UE	2000A / 1Vac			
E666		E32.UE	3000A / 1Vac			
		E32.UE	1500-2000-3000A / 1Vac	Safety sockets Ø4 mm.	Blue	315

Options: output 0,5V or 1,5V or 2Vac. (Please contact us).

WARNING : Other ratios possible but limited for safety reasons.

◆ **Speciale Version for leak current measurement**

P32.UEB5		1A / 1Vac	Safety sockets Ø4 mm.	Bleue	320
----------	--	-----------	-----------------------	-------	-----

WARNING : 50A Max. (100A~ - 1mn)

◆ **Output voltage DC.**

E667		E32.V	1000A / 1Vdc	Safety sockets Ø4 mm.	Blue	356
E668		E32.V	2000A / 1Vdc			
E669		E32.V	3000A / 1Vdc			
E694		E32.V	500-1000-2000A / 1Vdc	Safety sockets Ø4 mm.	Blue	372
E695		E32.V	500-1500-3000A / 1Vdc			
E696		E32.V	1000-2000-3000A / 1Vdc			
E697		E32.V	500-1000-2000A / 2Vdc			
E698		E32.V	500-1500-3000A / 2Vdc			
E699		E32.V	1000-2000-3000A / 2Vdc			

Reminder regarding the outputs in continuous voltage (DC) : there is a constant of time.

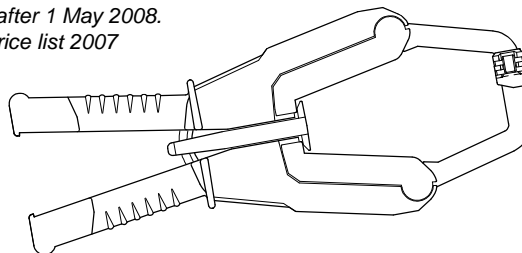
“Special outputs”, Cables and leads with choice of the ends, see **page: 51** supplements
“Typical electrical schemes of the clamp-on current transformers - Part 1 and 2” last pages.

Others colours - Others ratios : please, contact us. Manufactured on request.

PRICE LIST 2008

Edition 1

Valid on and after 1 May 2008.
Cancel the price list 2007



CLAMP-ON CURRENT TRANSFORMERS AC

RANGE H32 1A 3200A AC

Codes

Types

Output connections

Colour

U.P
Euros

◆ **Output current.**

	H32.X	3000A / 300mA	Safety sockets Ø4 mm.	Grey	402
	H32.X	1000A-2000A / 200mA	Safety sockets Ø4 mm.	Grey	469
	H32.B	3000A / 1A	Safety sockets Ø4 mm.	Grey	476
H700	H32	500A / 1A	Safety sockets Ø4 mm.	Grey	336
H701	H32	600A / 1A			
H702	H32	750A / 1A			
H703	H32	800A / 1A			
H704	H32	1000A / 1A			
H705	H32	1200A / 1A			
H706	H32	1250A / 1A			
H707	H32	1500A / 1A			
H708	H32	2000A / 1A			
H709	H32	2500A / 1A			
H710	H32	3000A / 1A			
H711	H32	2000A / 2A	Safety sockets Ø4 mm.	Grey	336
H712	H32	3000A / 3A			
H713	H32	500A / 5A	Safety sockets Ø4 mm.	Grey	336
H714	H32	600A / 5A			
H715	H32	750A / 5A			
H716	H32	800A / 5A			
H717	H32	1000A / 5A			
H718	H32	1200A / 5A			
H719	H32	1250A / 5A			
H720	H32	1500A / 5A			
H721	H32	2000A / 5A			
H722	H32	2500A / 5A			
H723	H32	3000A / 5A			

◆ **Output protected current.**

H1511	H32.P	1000A / 1A	Safety sockets Ø4 mm.	Grey	357
H1512	H32.P	1200A / 1A			
H1513	H32.P	1250A / 1A			
H897	H32.P	1500A / 1A			
H1514	H32.P	2000A / 1A			
H1515	H32.P	2500A / 1A			
H1516	H32.P	3000A / 1A			

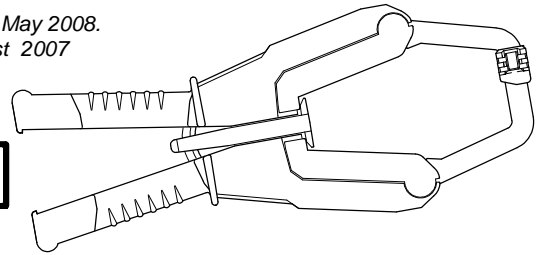
◆ **Output Multi ratios current.**

			more than 100 POSSIBLE COMBINATIONS		
H742	H32	500-1000-1500A / 1A	Safety sockets Ø4 mm.	Grey	376
H743	H32	500-1000-2000A / 1A			
H744	H32	500-1500-3000A / 1A			
H745	H32	1000-1500-3000A / 1A			
H746	H32	1000-2000-3000A / 1A			
H747	H32	1500-2000-3000A / 1A			
H748	H32	500-1000-1500A / 5A	Safety sockets Ø4 mm.	Grey	376
H749	H32	500-1000-2000A / 5A			
H750	H32	500-1500-3000A / 5A			
H751	H32	1000-1500-3000A / 5A			
H752	H32	1000-2000-3000A / 5A			
H753	H32	1500-2000-3000A / 5A			

PRICE LIST 2008

Edition 1

Valid on and after 1 May 2008.
Cancel the price list 2007



CLAMP-ON CURRENT TRANSFORMERS AC

RANGE H32 1A 3200A

Code

Types

standardized output connections

Colour

U.P
Euros

◆ **DOUBLE output current and voltage AC.**

H1517	H32.D	500A / I2 et 5V
H1518	H32.D	600A / I2 et 5V
H1519	H32.D	800A / I2 et 5V
H1520	H32.D	1000A / I2 et 5V
H1521	H32.D	1200A / I2 et 5V
H1522	H32.D	1250A / I2 et 5V
H1523	H32.D	1500A / I2 et 5V
H1524	H32.D	2000A / I2 et 5V
H1525	H32.D	2500A / I2 et 5V
H1526	H32.D	3000A / I2 et 5V

Safety sockets Ø4 mm.

Blue

393

*Options output Current: 5A - output: 0,5V or 1V or 2V or 3Vac. (Please contact us).
majoration for output 5A*

◆ **DOUBLE with Protected current and voltage AC.**

H1527	T	H32.DP	1000A / 1A et 5V
H1528		H32.DP	1200A / 1A et 5V
H1529		H32.DP	1250A / 1A et 5V
H1530		H32.DP	1500A / 1A et 5V
H1531		H32.DP	2000A / 1A et 5V
H1532		H32.DP	2500A / 1A et 5V
H1533		H32.DP	3000A / 1A et 5V

Safety sockets Ø4 mm.

Blue

415

Options: output: 0,5V or 1V or 2V or 3Vac. (Please contact us).

“Special outputs”, Cables and leads with choice of the ends, see page: 51 supplements

“Typical electrical schemes of the clamp-on current transformers - Part 1 and 2” last pages.

Others colours - Others ratios : manufactured on request, please contact us.

• **Spare protectors “Anti short-circuits” for the Ranges E32, H32 and P32**

for 10

30.00

• **Transport suitcase for the Clamps of the Ranges E16 to P32**

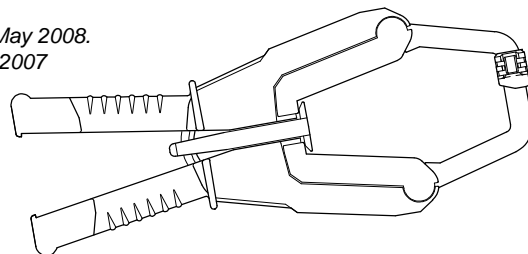
35AT02 For 1 clamp

55,00

PRICE LIST 2008

Edition 1

Valid on and after 1 May 2008.
Cancel the price list 2007



CLAMP-ON CURRENT TRANSFORMERS AC

RANGE H32 1A 3200A

Codes	Type	RATIOS	Output connections	Colour	U.P Euros
-------	------	--------	--------------------	--------	--------------

◆ **Output voltage AC.**

H724	T	H32.U	500A / 5Vac	Safety sockets Ø4 mm.	376
H725		H32.U	600A / 5Vac		
H726		H32.U	750A / 5Vac		
H727		H32.U	800A / 5Vac		
H728		H32.U	1000A / 5Vac		
H729		H32.U	1200A / 5Vac		
H730		H32.U	1250A / 5Vac		
H731		H32.U	1500A / 5Vac		
H732		H32.U	2000A / 5Vac		
H733		H32.U	2500A / 5Vac		
H734		H32.U	3000A / 5Vac		
		H32.U	200A-2000A / 5Vac		

H754		H32.U	500-1000-1500A / 1Vac	Safety sockets Ø4 mm.	Blue	456
H755		H32.U	500-1000-2000A / 1Vac			
H756		H32.U	500-1500-3000A / 1Vac			
H757		H32.U	1000-1500-3000A / 1Vac			
H758		H32.U	1000-2000-3000A / 1Vac			
H759		H32.U	1500-2000-3000A / 1Vac			

H760		H32.U	500-1000-1500A / 2Vac	Safety sockets Ø4 mm.	Blue	457
H761		H32.U	500-1000-2000A / 2Vac			
H762		H32.U	500-1500-3000A / 2Vac			
H763		H32.U	1000-1500-3000A / 2Vac			
H764		H32.U	1000-2000-3000A / 2Vac			
H765		H32.U	1500-2000-3000A / 2Vac			

Options: output 2V or 3V or 5Vac. (Please contact us).

H735		H32.UE	1000A / 1Vac	Safety sockets Ø4 mm.	Blue	357
H736		H32.UE	2000A / 1Vac			
H737		H32.UE	3000A / 1Vac			
H738		H32.UE	3000A / 3Vac			

	P	H32.UE	200-2000A / 2Vac	Safety sockets Ø4 mm.	Blue	426
--	---	--------	------------------	-----------------------	------	-----

Options: output 0,5V or 1,5V or 2Vac. (Please contact us).

WARNING : Other ratios available but limited due to safety issues.

◆ **Speciale Version for leak current measurement**

H32.UEB5		1A / 1Vac	Safety sockets Ø4 mm.	Bleue	480
----------	--	-----------	-----------------------	-------	-----

WARNING : 50A Max. (100A~ - 1mn)

◆ **Output voltage DC.**

H739		H32.V	1000A / 1Vdc	Safety sockets Ø4 mm.	Blue	385
H740		H32.V	2000A / 1Vdc			
H741		H32.V	3000A / 1Vdc			

H766		H32.V	500-1000-2000A / 1Vdc	Safety sockets Ø4 mm.	Blue	468
H767		H32.V	500-1500-3000A / 1Vdc			
H768		H32.V	1000-2000-3000A / 1Vdc			

H769		H32.V	500-1000-2000A / 2Vdc
H770		H32.V	500-1500-3000A / 2Vdc
H771		H32.V	1000-2000-3000A / 2Vdc

H32.VB Possible, please contact us

WARNING: Probes with voltage output must be connected to instruments with high impedance (>= 1 Mohm).
For any lower impedance (eg 10 kohm) please contact us.

“Special outputs”, Cables and leads with choice of the ends, see **page: 51** supplements

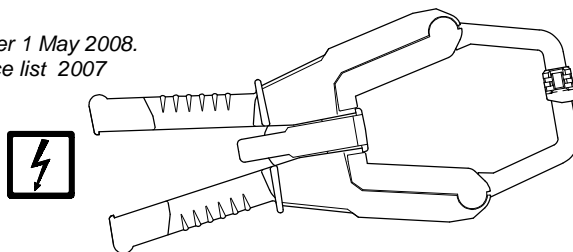
“Typical electrical schemes of the clamp-on current transformers - Part 1 and 2” last pages.

Others colours - Others ratios : manufactured on request, please contact us.

PRICE LIST 2008

Edition 1

Valid on and after 1 May 2008.
Cancel the price list 2007



CLAMP-ON CURRENT TRANSFORMERS AC

RANGE	P32	1A 3200A
--------------	------------	-----------------------

Codes	Type		Standardized output connections	Colour	U.P Euros
◆ Output current.					
	P32.X	3000A / 300mA	Safety sockets Ø4 mm.	Grey	451
	P32.X	1000A-2000A / 200mA	Safety sockets Ø4 mm.	Grey	515
	P32.B	1000A / 1A	Safety sockets Ø4 mm.	Grey	546
P772	P32	500A / 1A	Safety sockets Ø4 mm.	Grey	406
P773	P32	600A / 1A			
P016	P32	1000A / 1A			
P775	P32	1200A / 1A			
P776	P32	1250A / 1A			
P777	P32	1500A / 1A			
P778	P32	2000A / 1A			
P779	P32	2500A / 1A			
P780	P32	3000A / 1A			
P821	P32	500-1000-1500A / 1A	Safety sockets Ø4 mm.	Grey	428
P822	P32	500-1000-2000A / 1A			
P823	P32	500-1500-3000A / 1A			
P824	P32	1000-1500-3000A / 1A			
P825	P32	1000-2000-3000A / 1A			
P826	P32	1500-2000-3000A / 1A			
P781	P32	2000A / 2A	Safety sockets Ø4 mm.	Grey	406
P782	P32	3000A / 3A			
P783	P32	500A / 5A	Safety sockets Ø4 mm.	Grey	406
P784	P32	600A / 5A			
P785	P32	800A / 5A			
P786	P32	1000A / 5A			
P787	P32	1200A / 5A			
P788	P32	1250A / 5A			
P789	P32	1500A / 5A			
P790	P32	2000A / 5A			
P791	P32	2500A / 5A			
P792	P32	3000A / 5A			
P827	P32	500-1000-1500A / 5A	Safety sockets Ø4 mm.	Grey	428
P828	P32	500-1000-2000A / 5A			
P829	P32	500-1500-3000A / 5A			
P830	P32	1000-1500-3000A / 5A			
P131	P32	1000-2000-3000A / 5A			
P831	P32	1500-2000-3000A / 5A			

No other options for the secondary outputs

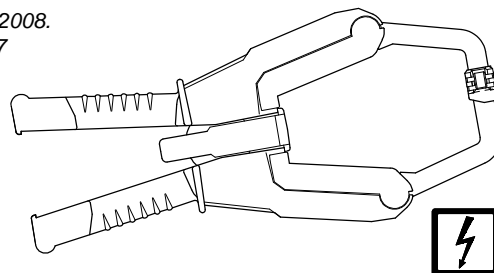
◆ Output protected current.

P1554	P32.P	1000A / 1A	Safety sockets Ø4 mm.	Grey	427
P1555	P32.P	1200A / 1A			
P1557	P32.P	1500A / 1A			
P1558	P32.P	2000A / 1A			
P1559	P32.P	2500A / 1A			
P1560	P32.P	3000A / 1A			

PRICE LIST 2008

Edition 1

Valid on and after 1 May 2008.
Cancel the price list 2007



CLAMP-ON CURRENT TRANSFORMERS AC

RANGE P32 1A 3200A

Code	Types	Output connections	Colour	U.P Euros
------	-------	--------------------	--------	--------------

◆ **DOUBLE output current and voltage AC.**

P1534	P32.D	500A / 1A and 5V	Safandy sockands Ø4 mm.	Blue	447
P1535	P32.D	600A / 1A and 5V			
P1536	P32.D	800A / 1A and 5V			
P1537	P32.D	1000A / 1A and 5V			
P1538	P32.D	1200A / 1A and 5V			
P1539	P32.D	1250A / 1A and 5V			
P1540	P32.D	1500A / 1A and 5V			
P1541	P32.D	2000A / 1A and 5V			
P1542	P32.D	2500A / 1A and 5V			
P913	P32.D	3000A / 1A and 5V			

Options: Output: 5A - output: 0,5V or 1V or 2V or 3Vac. (Please contact us).

◆ **Output protected current and voltage AC.**

P1543	P32.DP	1000A / 1A and 5V	Safandy sockands Ø4 mm.	Blue	469
P1544	P32.DP	1200A / 1A and 5V			
P1545	P32.DP	1250A / 1A and 5V			
P1546	P32.DP	1500A / 1A and 5V			
P1547	P32.DP	2000A / 1A and 5V			
P1548	P32.DP	2500A / 1A and 5V			
P1549	P32.DP	3000A / 1A and 5V			

Options: output: 0,5V or 1V or 2V or 3Vac. (Please contact us).

“Special outputs”, Cables and leads with choice of the ends, see page: 51 supplements

“Typical electrical schemes of the clamp-on current transformers - Part 1 and 2” last pages.

Others colours - Others ratios : manufactured on request, please contact us.

• Spare protectors “Anti short-circuits” for the ranges E32, H32 and P32	
for 10	30.00

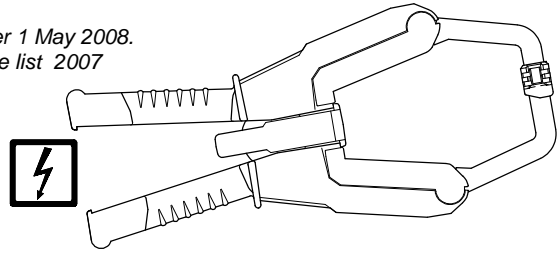
• Transport suitcase for Clamps of the Ranges E16 to P32	
35AT02 For 1 clamp	55,00

◆ Other versions, examples		
P32.U	1000-2000-8000A/1Vac - Max 8000A - 10mn/heure	Safety sockets Ø4 mm.
P32.U	3000A/3Vac - Max. 5000A~ 1mn	Safety sockets Ø4 mm.
P32.UEB	1V~/A~ - 50A Max. (100A~ - 1mn)	Safety sockets Ø4 mm.
H32	5000A 1mA~/A~ (5000A - 5mn/30mn)	Safety sockets Ø4 mm.
P32	1000-2000A/200mA par commutateur	Cable
P32	2000A/200mA	Safety sockets Ø4 mm.

PRICE LIST 2008

Edition 1

Valid on and after 1 May 2008.
Cancel the price list 2007



CLAMP-ON CURRENT TRANSFORMERS AC

RANGE P32 1A 3200A

Codes

Types

Output connections

Colour

U.P
Euros

◆ **Output voltage AC.**

P793	T	P32.U	500A / 5Vac	Safety sockets Ø4 mm.	Blue	428
P794		P32.U	600A / 5Vac			
P795		P32.U	800A / 5Vac			
P796		P32.U	1000A / 5Vac			
P797		P32.U	1200A / 5Vac			
P798		P32.U	1250A / 5Vac			
P799		P32.U	1500A / 5Vac			
P800		P32.U	2000A / 5Vac			
P801		P32.U	2500A / 5Vac			
P802		P32.U	3000A / 5Vac			

P832		P32.U	500-1000-1500A / 1Vac	Safety sockets Ø4 mm.	Blue	505
P833		P32.U	500-1000-2000A / 1Vac			
P834		P32.U	500-1500-3000A / 1Vac			
P835		P32.U	1000-1500-3000A / 1Vac			
P836		P32.U	1000-2000-3000A / 1Vac			
P837		P32.U	1500-2000-3000A / 1Vac			

P838		P32.U	500-1000-1500A / 2Vac	Safety sockets Ø4 mm.	Blue	507
P839		P32.U	500-1000-2000A / 2Vac			
P840		P32.U	500-1500-3000A / 2Vac			
P841		P32.U	1000-1500-3000A / 2Vac			
P842		P32.U	1000-2000-3000A / 2Vac			
P843		P32.U	1500-2000-3000A / 2Vac			

Options: output 2V or 3V or 5Vac. (Please contact us).

P813		P32.UE	1000A / 1Vac	Safety sockets Ø4 mm.	Blue	424
P814		P32.UE	2000A / 1Vac			
P815		P32.UE	3000A / 1Vac			
P816		P32.UE	2000A / 2Vac			
P817		P32.UE	3000A / 3Vac			
	P	P32.UE	1500-2000-3000A / 1Vac	Safety sockets Ø4 mm.	Blue	492

Options: output 0,5V or 1,5V or 2Vac. (Please contact us).

WARNING : Other ratios available but limited due to safety issues.

◆ **Speciale Version for leak current measurement**

P3337		P32.UEB5	1A / 1Vac	Safety sockets Ø4 mm.	Bleue	614
-------	--	----------	-----------	-----------------------	-------	-----

WARNING : 50A Max. (100A~ - 1mn)

◆ **Output voltage DC.**

P818	T	P32.V	1000A / 1Vdc	Safety sockets Ø4 mm.	Blue	438
P819		P32.V	2000A / 1Vdc			
P820		P32.V	3000A / 1Vdc			
P844		P32.V	500-1000-2000A / 1Vdc	Safety sockets Ø4 mm.	Blue	517
P845		P32.V	500-1500-3000A / 1Vdc			
P846		P32.V	1000-2000-3000A / 1Vdc			
P847		P32.V	500-1000-2000A / 2Vdc			
P848		P32.V	500-1500-3000A / 2Vdc			
P849		P32.V	1000-2000-3000A / 2Vdc			

WARNING: Probes with voltage output must be connected to instruments with high impedance (>= 1 Mohm). For any lower impedance (eg 10 kohm) please contact us.

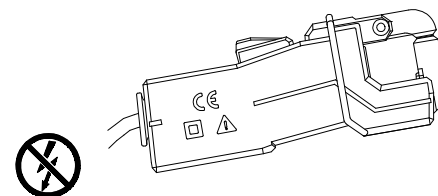
PRICE LIST 2008

Edition 1

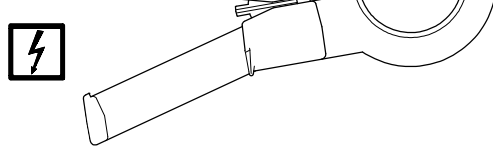
Valid on and after 1 May 2008.
Cancel the price list 2007

CLAMP-ON CURRENT (Hall effect) AC-DC

This type of transducer is a converter with Hall effect element giving an analogical voltage proportional (Module, Frequency) to the current which crosses it. The input can be **AC or DC**. The output is always in "voltage".



RANGE	M2	10 mA300A			
Codes				Connection type	Colour Euros
M926	M2.1C 01	300A / 3 V		Cable FM 4R free ends External supply from 9V to 18V	Red 153
NOTE	The M2.2C	don't exist anymore			

RANGE	SC	1A 2000A peak			
Codes	TYPES		Output connections	Colour	U.P Euros
					

◆ **Input AC, DC. Output voltage AC, DC.**

◆ **External Power from 9V to 18V DC**

			2m of FM4R cable, free ends		
S1791	SC.1C	200A / 1V	Power supply and reading with 4 leads	Red	198
S1792	SC.1C	500A / 1V	Power supply and reading with 4 leads	Red	225
S1169	SC.1C	1000A / 1V	Power supply and reading with 4 leads	Red	215
S1183	SC.1C	1000A / 1V	Power supply and reading with 3 leads	Red	237
S1199	SC.1C	1500A / 1.5V	Power supply and reading with 4 leads	Red	240
S1000	SC.1C	1500A / 1.5V	Power supply and reading with 3 leads	Red	263

◆ **internal Power with Battery 9V type 6LR61**

S1958	SC.2C	100A / 1V	Safety sockets Ø4 mm.	Red	248
S1703	SC.2C	200A / 1V	Safety sockets Ø4 mm.	Red	251
S1259	SC.2C	800A / 800mV	Safety sockets Ø4 mm.	Red	256
S024	SC.3C	1000A / 1V	Safety sockets Ø4 mm.	Red	306
S1376	SC.3C	100-1000A / 1V	Safety sockets Ø4 mm.	Red	347
S899	SC	2000A / 2 V	Safety sockets Ø4 mm.	Red	330
S1377	SC	200-2000A / 2 V	Safety sockets Ø4 mm.	Red	383

Manufactured on request, the AC/DC clamps offer, with more than 30 different versions, many possibilities for measurement.

• Transport suitcase for Clamps of the Range SC		
32AT02	For 1 clamp	16,50

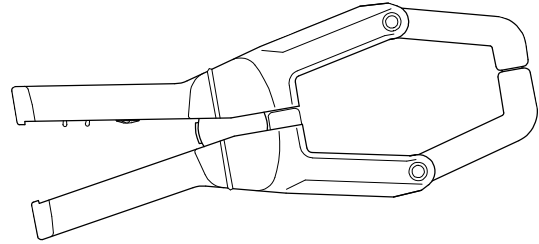
PRICE LIST 2008

Edition 1

Valid on and after 1 May 2008.
Cancel the price list 2007

CLAMP-ON CURRENT (Hall effect) AC -DC

RANGE H.C ± 5000A peak



Code	Types	Output connections	Colour	U.P Euros
------	-------	--------------------	--------	--------------

◆ **Input AC, DC. Output voltage AC, DC.**

◆ **External Power supplied with a 9 V to 12V DC**

H220	H20 .1C	2000A / 2 V	2 m Cable FMA4R, free ends	Red	661
H221	H40. 1C	4000A / 2 V			
H222	H50. 1C	5000A / 2 V			

◆ **Internal Power supplied with a 9V battery.**

H223	H20. 3C	200-2000A / 2V	Safety sockets Ø4 mm.	Red	707
H224	H20. 3C	400-2000A / 2V			
H225	H20. 3C	500-2000A / 2V			
H226	H20. 3C	1000-2000A / 2V			
H227	H40. 3C	500-4000A / 2V	Safety sockets Ø4 mm.	Red	902
H228	H40. 3C	1000-4000A / 2V			
H229	H40. 3C	2000-4000A / 2V			
H230	H50. 3C	1000-5000A / 2V	Safety sockets Ø4 mm.	Red	1037
H231	H50 .3C	2000-5000A / 2V			

• **transport suitcase for Clamps of the RANGES H.C and P.C**

35AT02 For 1 clamp

55,00

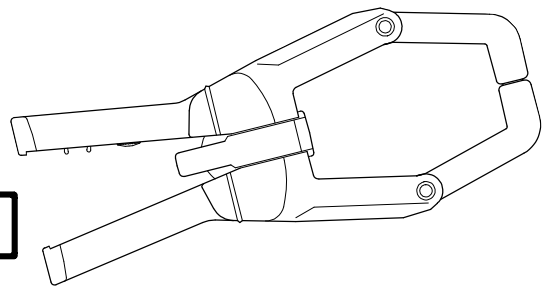
PRICE LIST 2008

Edition 1

Valid on and after 1 May 2008.
Cancel the price list 2007

CLAMP-ON CURRENT (Hall effect) AC -DC

RANGE	P.C	± 7500A crête
--------------	------------	----------------------



Codes

Types

Output connections

Colour

U.P
Euros

◆ **Input AC-DC. Oupthu voltage AC, DC.**

◆ **External Power supplied with a 9 V to 12V DC**

P1464	P20. 1C	2000A / 2 V	2 m FM4R Cable, free ends	Red	730
P1465	P40. 1C	4000A / 2 V			
P1466	P50. 1C	5000A / 2 V			
P1467	P75. 1C	7500A / 1,5 V			

◆ **Internal Power supplied with a 9V battery.**

P1468	P20. 3C	200-2000A / 2V	Safety sockets Ø4 mm.	Red	777
P1469	P20. 3C	400-2000A / 2V			
P1470	P20. 3C	500-2000A / 2V			
P1019	P20. 3C	1000-2000A / 2V			
P1273	P40. 3C	500-4000A / 2V	Safety sockets Ø4 mm.	Red	968
P1471	P40. 3C	1000-4000A / 2V			
P898	P40. 3C	2000-4000A / 2V			
P1472	P50. 3C	1000-5000A / 2V	Safety sockets Ø4 mm.	Red	1119
P874	P50. 3C	2000-5000A / 2V			
P1473	P75. 3C	7500A / 1,5V and 1000A / 2V	Safety sockets Ø4 mm.	Red	1209
P1499	P75. 3C	7500A / 1,5V and 2000A / 2V			
P1284	P75. 3C	7500A / 1,5V and 4000A / 2V			
P1181	P75. 3C	7500A / 1,5V and 5000A / 2V			

“Special outputs”, Cables and leads with choice of the ends, see page: 51 supplements

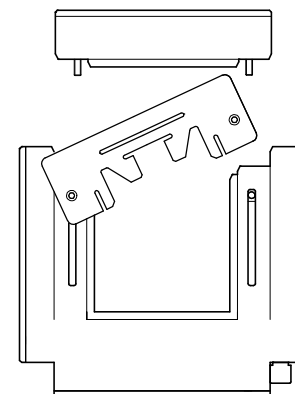
“Typical electrical schemes of the clamp-on current transformers - Part 1 and 2” last pages.

Others colours - Others ratios : manufactured on request, please contact us.

PRICE LIST 2008

Edition 1

*Valid on and after 1 May 2008.
Cancel the price list 2007*



TRANSDUCERS AC-DC

RANGE C104 ± 15 000A peak

Code	Type	Power supply	Ratio	Output type	Quantity	U.P Euros
C1550	C104.CT- 48/2	36V to 72V DC	15 000A / 7.5V		1 to 2	2239
	C104.CT- 48/1	36V to 72V DC	10 000A / 10V	Screw block	3 to 5	2049
	C104.CT- 24/2	18V to 36V DC	15 000A / 7.5V	Screw block	6 to 13	1953
	C104.CT- 24/1	18V to 36V DC	10 000A / 10V	Screw block	14 to 21	1851
C1119	C104.AT- 230/2	230V eff. 50-60Hz	15 000A / 7.5V	Screw block	1 to 2	2171
	C104.AT- 230/1	230V eff. 50-60Hz	10 000A / 10 V	Screw block	3 to 5	1962
	C104.AT- 230/2N	230V eff. 50-60Hz	15 000A / 7.5V	BNC	6 to 13	1899
	C104.AT- 230/1N	230V eff. 50-60Hz	10 000A / 10 V	BNC	14 to 21	1775
C1551	C104.AS- 230/4	230V eff. 50-60Hz	8 000A / 2V	Screw block	1 to 2	1436
	C104.AS- 230/5	230V eff. 50-60Hz	10 000A / 2V	Screw block	1 to 2	1795
	C104.AS- 230/4N	230V eff. 50-60Hz	8 000A / 2V	BNC	1 to 2	1452
	C104.AS- 230/5N	230V eff. 50-60Hz	10 000A / 2V	BNC	1 to 2	1866

This type of transducer is a converter with Hall effect elements giving an analogical voltage proportional (MODULE, FREQUENCY) to the current that crosses it. It could replaces the shunts.

All transducers are in red stiff polycarbonate.

Manufactured on request, C104 transducers offer, with more than 50 different versions, many possibilities for measurement.

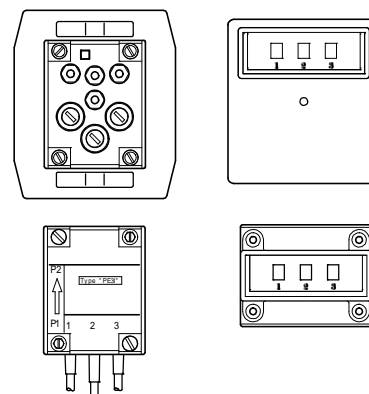
WEIGHT AND PACKING

Type	Nett weight	Individually packing
C104.CT	3.5 kg	440x270x310mm 1.6 kg
C104.AT	3.6 kg	440x270x310mm 1.6 kg
C104.AS	3.6 kg	440x270x310mm 1.6 kg

PRICE LIST 2008

Edition 1

*Valid on and after 1 May 2008.
Cancel the price list 2007*



MEASUREMENT PLUGS

SECURA® - ESSAILEC®

Code	Type	Input / Output	Output connections	U.P Euros
◆ MEASUREMENT PLUGS for system SECURA®				
	● CURRENT 1 PHASE			
T1127	I.cos Ø	6A eff. / 3.536V eff.	Secondary output by BNC (standard)	163
T1564	PS1ID	1A eff. / 5V eff.	Sockets output for plug 4 ø mm.	214
T1565	PS1ID	5A eff. / 5V eff.	Sockets output for plug 4 ø mm.	
	● CURRENT 3 circuits			
	PS3ID	4 x 5A eff./0,5V à 5V eff.	Plug counting 1 boxe	490
	● CURRENT 4 circuits			
	PS4ID	4 x 5A eff./0,5V à 5V eff.	Plug "Inter-counting" 1 and 2 boxes	514
	● VOLTAGE 3 PHASES		The 3 phases are protected by HPC safety fuses .	
P1053	PSTM.AC	WITH continuity	Sockets output for security plug ø 4 mm.	308
	PSTM.SC	WITHOUT continuity	Sockets output for security plug ø 4 mm.	
ACCESSORIES				
D1586		Locking finger		3.60
◆ MEASURING PLUGS for system ESSAILEC®				
	● CURRENT 1 PHASE			
T1128	I.cos Ø	6A eff. / 3.536V eff.	Secondary output by BNC (standard)	146
T1568	PE1ID	1A eff. / 5V eff.	Sockets output for plugs ø 4 mm.	203
T1569	PE1ID	5A eff. / 5V eff.	Sockets output for plugs ø 4 mm.	
	● CURRENT 3 circuits			
	PE3ID	4 x 5A eff./0,5V à 5V eff.	Plug counting 1 boxe	400
	● CURRENT 4 circuits			
	PE4ID	4 x 5A eff./0,5V à 5V eff.	Plug "Inter-counting" 1 and 2 boxes	433
	● TENSIONS 3 PHASES		The 3 phases are protected by HPC safety fuses .	
P1054	PETM.AC	Direct protected	Sockets output for plug ø 4 mm.	271
	PETM.SC	Direct protected		
◆ SIGNALS (Voltage watching on the Meters)				
S1579	STC	Manufactured on top SECURA® furnished by the user.		43
S1580		Machining of the hood "not defraudable" SECURA® furnished by the user.		5.50
S1581	STC	Manufactured on bed plate for a direct fitting on the counting table.		50
S1582	STC	Non fitted (boxe alone)	See drawing N°400227	39
◆ Small CURRENT Transformer of Measure				
T1583	TI	2500/1	Toroidal Transformer. max current 4mA	48,50

**WARNING, due to the fast, increase of components prices, some of these prices can be updated.
Please contact us for confirmation.**

PRICE LIST 2008

Edition 1

*Valid on and after 1 May 2008.
Cancel the price list 2007*

CALIBRATION CERTIFICATE (BNM connected)

MONO RATIO AC				
Clamp Type	Fixe Cost Euros	the point	Number of points (in standard)	With the fixe cost : Euros
M1 M2 M3 M4	9,40	5,70	3 points	26,50
US NS S SM	18,70	7,60	4 points	49,10
E16/E32 H16/H32 P16/P32	37,40	7,60	4 points	67,80
SINGLE RATIO and MULTI RATIO AC/DC				
SC.3C	18,70	5,80	4 in AC/caliber & 4 in DC/caliber	65,10
HC/PC	46,30	5,80	3 in AC/caliber & 3 in DC/caliber	81,10
TRANSDUCER	73,80	7.60	7 in DC/caliber +/-	127,00
TRI RATIO AC				
M2 M4	9,40	5,00	9 points (3 by caliber)	54,40
US NS S SM	18,70	5,00	9 points (3 by caliber)	63,70
E16/E32 H16/H32 P16/P32	38,50	5,80	12 points (4 by caliber)	108,10

This table summarizes the most usual requests. We can answer any particular request on the calibrations. Please precise the real using conditions and environment. This can lead to dedicate a CLAMP to an equipement or to a particular application. In this case, the standard CEI 61010-2-032 foesses a special marking of the CLAMP.

WARNING : a calibration is always done with a well defined impedance called rated burden. This is measured at the "OUTPUTS" of the clamp, the Sockets or the extremities of the leads or of the linking cables if they are bounded up with the CLAMP.

One should always consider the influence of the linking elements on the charge or on the accuracy power.

TYPICAL ELECTRIC SCHEMES of the CLAMP-ON CURRENT TRANSFORMERS - Part 1

Measuring ALTERNATIVE CURRENT from 40Hz to some kHz

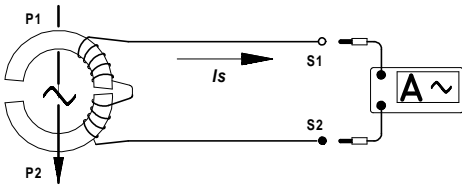
Output in CURRENT AC

"Treatments" schemes

EXTENSIONS

Explanations

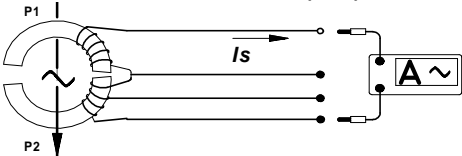
SINGLE RATIO (str01)



↓
Whitout

To supply a large variety of measuring equipments in alternative currents : ammeters , wattmeters , recorders , meters , etc... This is the most traditional duty of the CLAMPS.
To measure POWERS, you must choose the clamps and ranges able to deliver an accurate power between the classes 0,5 and 1. Only those classes guarantee a limit in the phase shift.

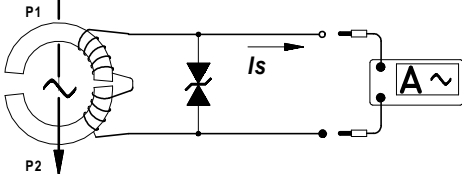
MULTI RATIOS (ta02)



Whitout

Same as the Single Ratio.
The switching of the ranges is made by selection of the 4 Socket outputs of the Clamp :
1 socket marked "S1-0" (common).
3 sockets "S2" marked with the value of the ranges.
Example: S1-0 250A 500A 1000A
ALWAYS Open the clamp before switching ranges.

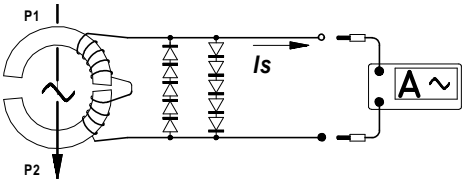
SINGLE RATIO PROTECTED (sta03)



.P

If an output circuit is inadvertently opened (infinite impedance), a high level voltage does appear at the bounds of the clamp. To protect the operator and the instruments, a mechanism of limitation of voltage equip those clamps without reducing their accuracy.
This mechanism is only useful for the ratios of high transformer ratio, usually > 500.

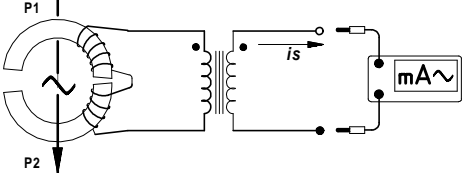
LIMITATION of output Voltage



.L

To insure the protection of some equipments, the voltage is limited to 1.2V
Note : This mechanism does not alter the accuracy below 1.2V.

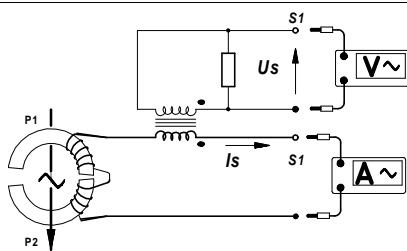
HIGH TRANSFORMER RATIOS



.X
.XB

Signal of output in mA. (Max. 4mA)
The "B" extension means "Special LOW CURRENT" on the input.
The magnetic circuit of the clamps having this extension is made out of very high permeability materials (Iron-Nickel).

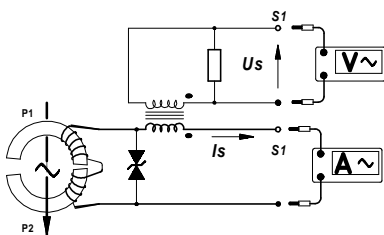
DOUBLE Output - 2 simultaneous output : CURRENT+VOLTAGE AC



SINGLE RATIO (td01)

.D

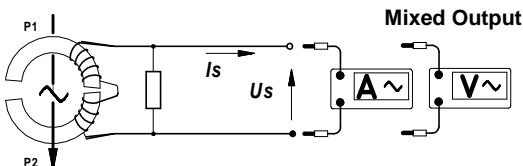
To use successively or simultaneously equipments on **high and low input impedances.**
Example: the current output is bounded to a Wattmeter and the voltage output to a voltmeter to know the power value of the current.
Note: for Voltage output only, short the current output with a standard measuring lead, as short as possible.



SINGLE RATIO, PROTECTED

.DP

The CLAMP is **Protected** in case of accidental opening of its circuit output in current.
The output in voltage is, kept at low potential.



Mixed Output

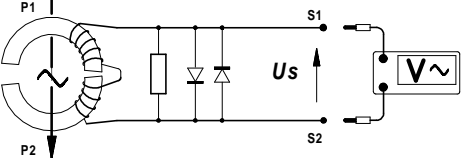
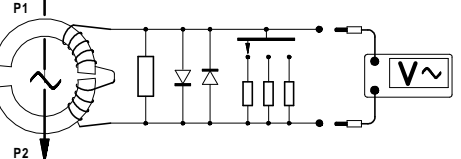
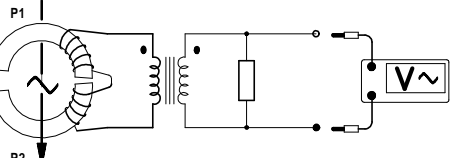
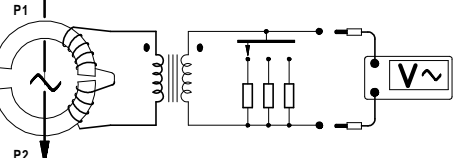
1 output in alternance **Current or Voltage**

.MB

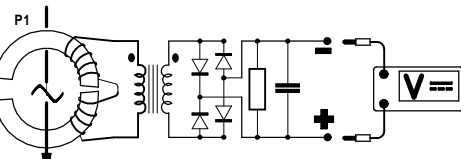
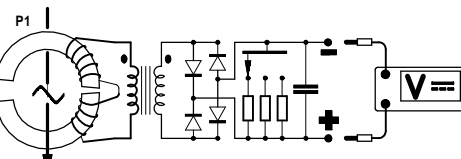
Possible to manufacture in some cases

ELECTRICAL SCHEMES of the CLAMP-ON CURRENT TRANSFORMERS - Part 2

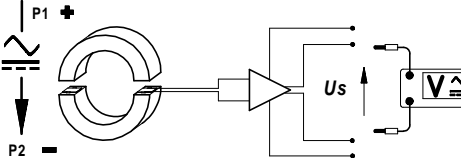
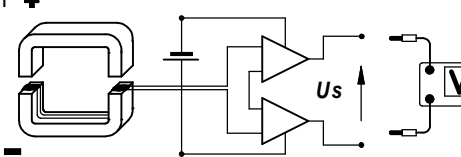
secondary OUTPUT in VOLTAGE AC

"Treatments" Schemes -	EXTENSIONS	Explanations
<p>SINGLE RATIO</p> 	<p>↓</p> <p>-UE -UB</p>	<p>GENERALITIES To convert directly in the CLAMP, the current to measure to a Voltage allowing :</p> <ul style="list-style-type: none"> - to considerably rise up the measuring dynamic of the primary current $I_p (> 100)$ - to exclude the worry of the charge of the linking cables of the outputs in current. - to enter without interface on the high impedances of the electronic appliances the most sophisticated (oscilloscopes , acquisitions chains , dataloger , etc...) - to be, assuming this principle, auto protected in case of accidental opening of the secondary circuit. <p>Notes :</p> <ul style="list-style-type: none"> - You must take into account the eventual perturbation of a very low voltage on high impedances. - It is important to respect the minimal impedance of the reading appliance or to indicate it to allow a special calibration.
<p>TRI RATIOS</p> 	<p>-UE -UB</p>	<p>The U extensions . The intermediate transformer (TI) allows :</p> <ul style="list-style-type: none"> - a good impedance adaptation - overload most of the time without consequence, - a possible output voltage up to 5Vrms. - a weak thermic drift (very low power at the TI output). <p>The UE extensions. The manufacturing is simplified, but presents limits, reasons:</p> <ul style="list-style-type: none"> - A protection against the overloads is often necessary (by diodes) which limits to 3Vrms max the possible output voltage.
<p>SINGLE RATIO</p> 	<p>.U .UB</p>	<p>The U extensions . The intermediate transformer (TI) allows :</p> <ul style="list-style-type: none"> - a good impedance adaptation - overload most of the time without consequence, - a possible output voltage up to 5Vrms. - a weak thermic drift (very low power at the TI output). <p>The UE extensions. The manufacturing is simplified, but presents limits, reasons:</p> <ul style="list-style-type: none"> - A protection against the overloads is often necessary (by diodes) which limits to 3Vrms max the possible output voltage.
<p>TRI RATIOS</p> 	<p>.U .UB</p>	<p>The "B" extension means "Special LOW CURRENT" on the input. The magnetic circuit of the clamps, having this extension, is made out of very high permeability materials (Iron-Nickel).</p>

Secondary output in VOLTAGE DC

<p>SINGLE RATIO</p> 	<p>.V .VB</p>	<p>This clamps are equipped with an internal analog converter to 1 or 3 ratios Current AC/ Voltage DC supplied by the CLAMP. This is a very straight design to convert an alternative current to a continuous Voltage. Having continuous voltage output allows to enter, without interface, on the high impedances of the electronic measuring appliances which don't have an alternative range.</p>
<p>TRI RATIOS</p> 	<p>.V .VB</p>	<p>However, you must take into account :</p> <ul style="list-style-type: none"> - that the output signal is presents residual ondulation, - that the "phase" information doesn't exist anymore. - the presence of a time constant fonction of the RC circuit RC of the clamp and of the measuring appliance. <p>This clamp don't replace entirely the output clamp in AC voltage.</p>

Measuring of the CONTINUOUS & ALTERNATIVES currents (HALL Effect), Output : TENSION AC /DC

<p>EXTERNAL supply (9 to 15V)</p> 	<p>.1C</p>	<p>There are also versions with 3 leads (please contact us)</p> <p>For special applications. This clamps are mostly destined to OEM. You must furnish an outside supply in continuous voltage, without undulation.</p>
<p>INTERNAL supply Battery 9V</p> 	<p>.2C .3C</p>	<p>This clamps are entirely autonomous.</p> <p>Note :</p> <ul style="list-style-type: none"> If the input current is AC, the output voltage is AC . The reading appliance must be of the "Amperemeter" type. If the input is DC, the output voltage is DC . The reading appliance must be of the "Voltmeter" type. This principle reproduces in output an image of the input current.

PRICE LIST 2008

Edition 1

Valid on and after 1 May 2008.
Cancel the price list 2007

Connections, Options, Special outputs

U.P
Euros

◆ **Connectic on the clamp (in handle output)**

Reminder : all the clamps are equipped in standard with safety sockets of 4mm.
For the multi ratio clamps and secondary in Current, only those sockets are usable.

Socket D01 warning 150V CAT III max
Metalic BNC , BNC plastic, Sockets for JUPITER plug, Sockets JACK type plugs, etc..

◆ **Cables connected to the clamps**

Shielded cable FM2R of 2 m with free extremity	9,30
Shielded cable FM2R of 2 m ended with a FRB D01 3 pins connector	21,60
Shielded cable FM2R of 2 m ended with a FRB D01 4 pins connector	27,80
Shielded cable FM2R of 2 m ended with a DIN Plastic 5, 6 or 8 Pins connector	27,80
Shielded cable FM2R other lenghts surcharge by meter	2,10
<hr/>	
Shielded cable FM4R of 2m with free extremity	12,40
Shielded cable FM4R of 2m ended with a FRB D01 3 pins connector	29,90
Shielded cable FM4R of 2m ended with a FRB D01 4 pins connector	36,10
Shielded cable FM4R of 0.5m ended with a FRB D01 3 pins connector	22,70
Cable FM 4R other lenghts surcharge by meter	3,10
<hr/>	
Cable GRTH, (2x0.93mm ²), de 2 m free extremity	13,40
Cable GRTH, (2x0.93mm ²) other lenghts surcharge by meter	2,20
<hr/>	
Bifilar cable (2x0.75 mm ²) 2 m with free extremity	4,10
Bifilar cable (2x0.75 mm ²) of 2m + connector 2 security plugs Red/Black ø 4mm.	11,30
Bifilar cable (2x0.75 mm ²) of 4m + connector 2 security plugs Red/Black ø 4mm.	23,70
Bifilar Cable (2x0.75 mm ²) other lenghts surcharge by meter	1,10

NOTE: For shorter cables, there is no reduction (compensated by the fixe expenses).

Cable in Spiral of 2 m ended with a CPR 1000 connector	29,90
Cable in Spiral of 3 m ended with a CPR 1000 connector	31,90
Cable in Spiral of 4,5 m (5x0.1) ended with free extremity	18,50
<hr/>	
Shield coaxial cable, Black, RG58 of 2 m long, ended with a BNC connector	24,70
Shield coaxial cable, Black, RG58 of 5 m long, ended with a BNC connector	47,40
Shield coaxial cable, Black, 7045IEC of 2.5 m long, ended with a BNC connector	27,80

◆ **Accessory cables**

Bifilar cable ADAPTATOR of 2 m Connector FRB D01 (3 pins)/ security plug ø 4 mm.	33,00
Set of 2 cables of 2 meters with security plugs ø 4 mm (1 red - 1 black)	15,50

◆ **Special connectors ending the Cables**

◆ **Special cables following specifications or furnished by the customer**

NOTE : **WARNING, the Cables and the connectic must be compatible with the nature of the secondary signal, "Current : <1A,... 5A" ou "Voltage" and "Frequency" .**

WEIGHT AND PACKING

Type	Nett weight	Individually packing	Transport packing		
M1	0.110 Kg	185x70x22 mm 10 g sockets output	following quantity		
M1	0.130 Kg	155x95x22 mm 15 g cable output	following quantity		
M2	0.120 Kg	185x70x22 mm 10 g sockets output	following quantity		
M2	0.140 Kg	155x95x22 mm 15 g cable output	following quantity		
US	0.500 Kg	215x110x50 mm 50 g	following quantity		
NS	0.590 Kg	215x110x50 mm 50 g	following quantity		
S	0.620 Kg	215x110x50 mm 50 g	following quantity		
SM	0.600 Kg	215x110x50 mm 50 g	following quantity		
SC	0.800 Kg	Mallette	following quantity		
			Carboard box:	Dimensions (mm).	
E16	1.9 Kg	360x180x75 mm 210 g	1 Clamp	440x250x150	Weight (g). 950
H16	2.0 Kg	360x180x75 mm 210 g	3 Clamps	440x250x310	1500
P16	2.2 Kg	360x180x75 mm 210 g	6 Clamps	440x250x560	2350
E32	1.4 Kg	360x180x75 mm 210 g			
H32	1.6 Kg	360x180x75 mm 210 g			
P32	1.8 Kg	360x180x75 mm 210 g			

PRICE LIST 2008

Edition 1

*Valid on and after 1 May 2008.
Cancel the price list 2007*

CONDITIONS GENERALES DE VENTES

1- GENERALITES.

Pour les professionnels, les commerçants, les sociétés et les particuliers toute commande comporte de plein droit acceptation des conditions générales suivantes et, le cas échéant, des conditions particulières précisées au moment de la commande.

Nos conditions ne peuvent en aucun cas être modifiées ou annulées par des dispositions contraires stipulées par les acheteurs, sans accord écrit de notre part.

Les offres sont valables dans la limite du délai d'option qui sauf stipulation contraire est d'un mois à dater de la remise de l'offre.

Les renseignements portés sur les catalogues, notices, barèmes, ne sont donnés qu'à titre indicatif, nous nous réservons le droit de les modifier à tout moment sans préavis.

2- PRIX.

Nos prix répondent aux conditions de tarification en usage le jour de la livraison, et s'entendent hors taxes en euros pour tout matériel non emballé, départ de notre centre de production Parisien.

3- LIVRAISON - EXPEDITION.

L'expédition, en FRANCE ou à L'EXPORTATION, de nos matériels est effectuée:

Par transporteur pour toutes livraisons .

Les coûts d'emballage et de transport seront facturés en sus.

4- GARANTIES - MODIFICATIONS.

Nous accordons à tous nos produits une garantie de 2 ans à partir de la date de facture, celle-ci tenant lieu de bon de garantie. Elle s'entend pièces et main d'oeuvre, sauf indications contraires précisées sur nos documents.

Elle exclut les conséquences de l'usure normale, du mauvais usage ou du défaut d'entretien.

Réparation hors période de garantie: les matériels réparés bénéficient d'une garantie supplémentaire sur les pièces remplacées pendant une durée de 1 mois.

Notre Service Après-Vente vous apporte l'assistance nécessaire bien au-delà de la période de garantie.

Des modifications liées à l'évolution technique peuvent être apportées pour améliorer les produits.

Les modèles du catalogue, les caractéristiques et les spécifications sont ainsi sujets à changement, sans préavis.

5- CONDITIONS DE PAIEMENT.

Sauf indication expresse portée sur la facture, le paiement s'entend:

première affaire: Règlement comptant à réception de facture.

Affaires suivantes et après ouverture de compte: Crédit maximum 60 jours fin de mois de livraison le 10 du mois suivant, par effet de commerce, émis par nos soins, à renvoyer dûment accepté dans les délais légaux.

5.1- RETARD DE PAIEMENT.

Le non paiement d'une fraction de prix à son échéance entraînera de plein droit et sans mise en demeure des intérêts applicables sur les sommes dues à un taux égal à une fois et demie le taux de l'intérêt légal.

6- DEFAUT DE PAIEMENT.

Le défaut de paiement de l'une des quelconques échéances pourra entraîner la revendication de ces marchandises.

L'acheteur assume, à compter de la livraison, les risques de perte ou de détérioration de ces biens, ainsi que la responsabilité des dommages qu'ils pourraient occasionner.

7- RESERVE DE PROPRIETE.

Notre société conserve la propriété des matériels livrés, jusqu'au paiement complet de l'intégralité de la facture.

8- RECLAMATIONS - RETOURS.

Toute réclamation doit être formulée dans un délai de huit jours francs après réception des produits.

Tout retour ou reprise ne peut se faire sans notre accord préalable et pour des produits livrés depuis un mois au plus, restitués dans leur emballage d'origine et en parfait état.

Les produits ne devront avoir subi aucune modification ou altération.

Les retours en port dû seront refusés.

9- INFRACTION aux BREVETS ou MODELES DEPOSES

L'acheteur s'engage d'avance à nous dédommager de tous frais et pénalités auxquels nous serions exposés du fait de réalisations effectuées suivant spécifications de l'acheteur et qui se trouveraient en infraction avec des brevets ou modèles déposés, ou tout autre protection de fait.

10- CONTESTATION - JURIDICTION.

En cas de contestation de tout ou partie des présentes conditions de vente comme pour toutes celles pouvant naître de l'exécution d'une quelconque commande, le tribunal de commerce de Paris est seul compétent.

Pour les produits destinés à l'exportation, la Loi applicable est la Loi Française.