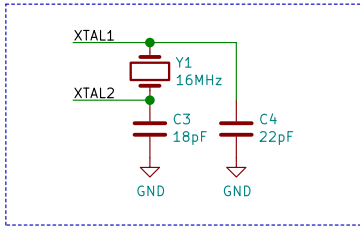
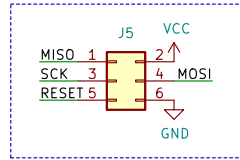


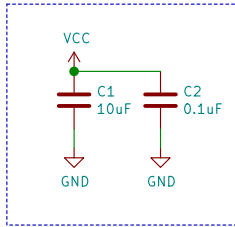
Crystal Oscillator



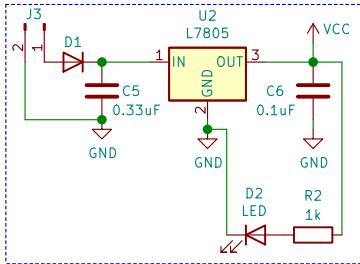
I2C Connector



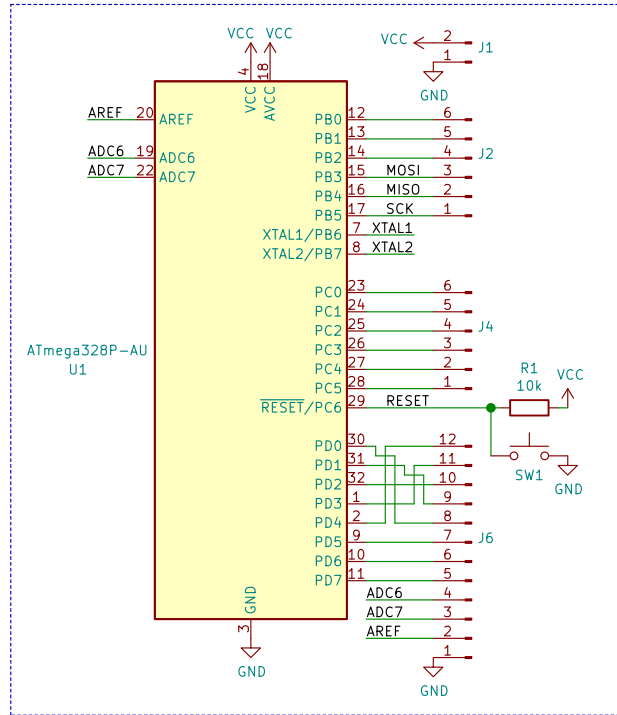
Decoupling Capacitors



5V Regulator



Microcontroller



Patric A.B

Sheet: /  
File: nemo.sch

Title: Nemo Board (Arduino Compatible)

Size: A4 Date: 2020-05-23  
KiCad E.D.A. kicad 5.1.6-c6e7f7d86ubuntu18.04.1

Rev: 1  
Id: 1/1