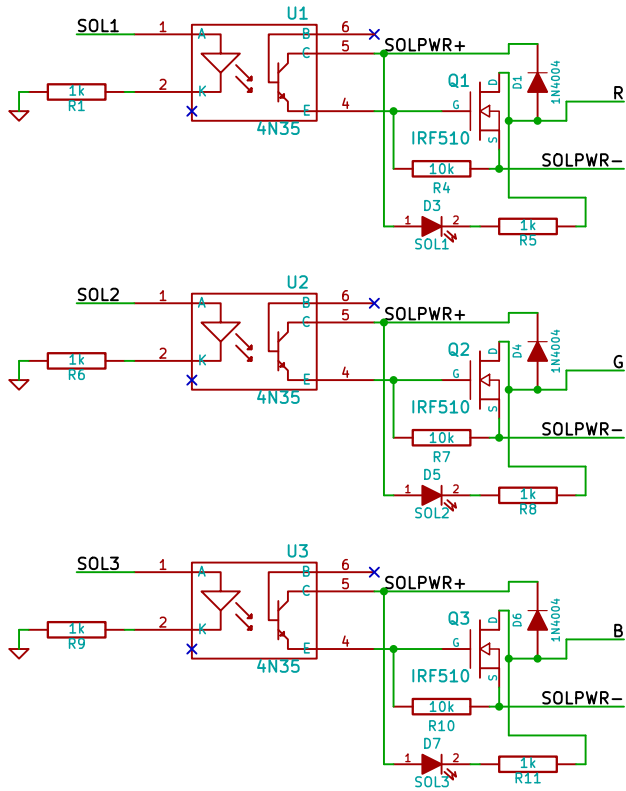
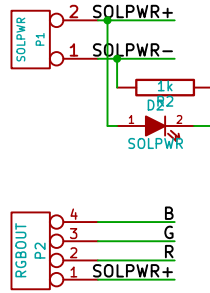
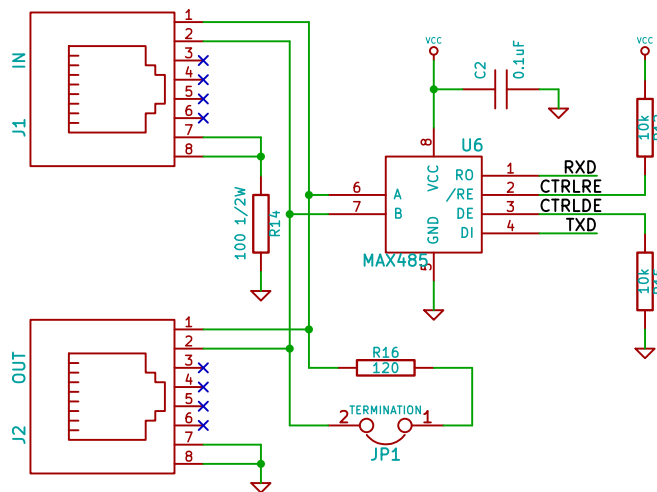


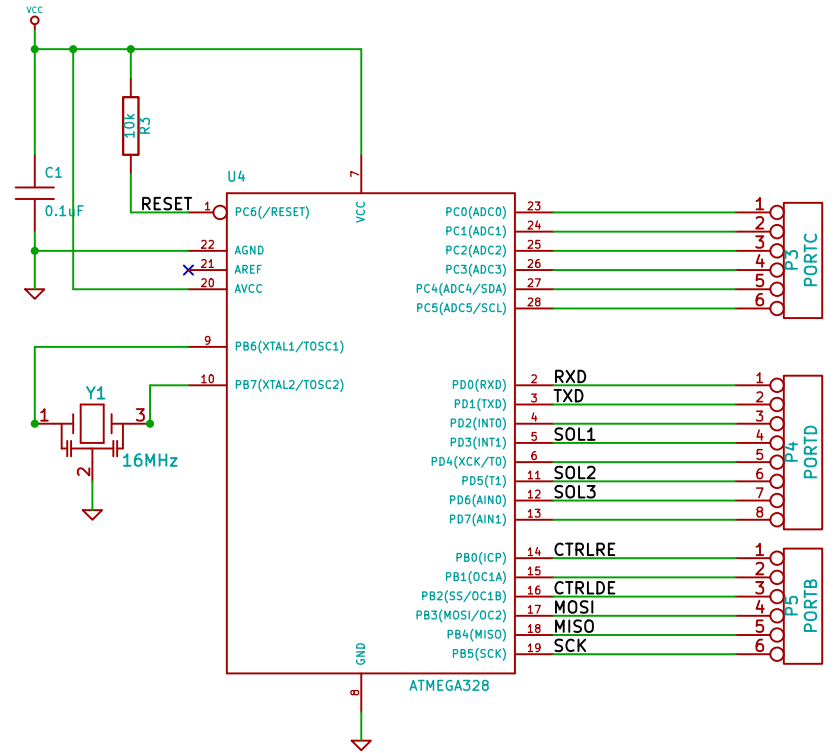
LED/SOLENOID DRIVER



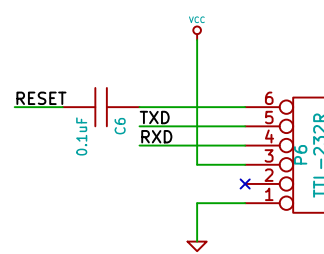
RS-485 COMMUNICATION



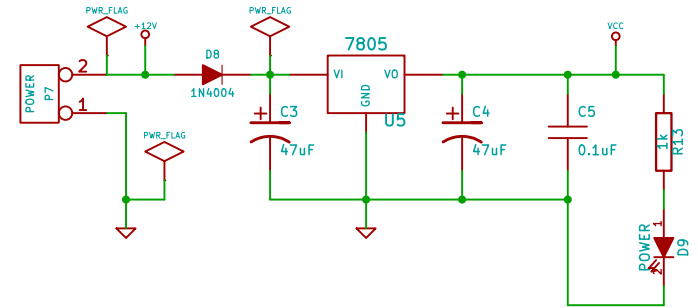
MCU



FTDI TTL-232R PORT



POWER REGULATOR



seth hardy :: propaneandelectronics.com

File: bcard-rgbdmx.sch

Sheet: /

Title: bcard-rgbdmx :: three channel DMX controller business card

Size: A4

Date: 19 oct 2013

Rev: A

KiCad E.D.A.

Id: 1/1