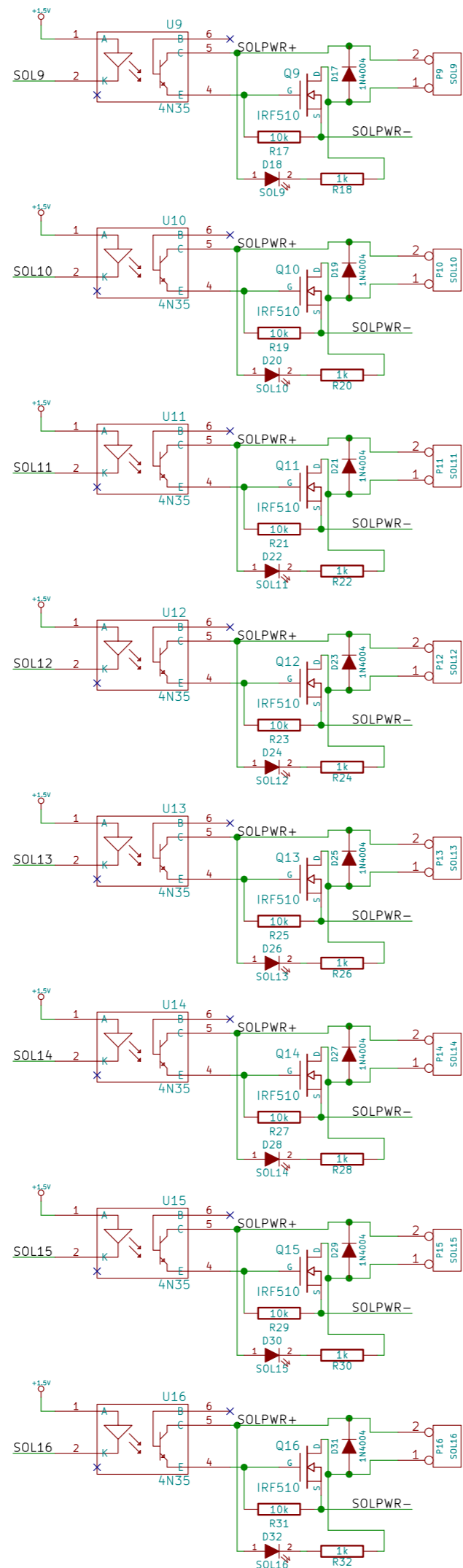
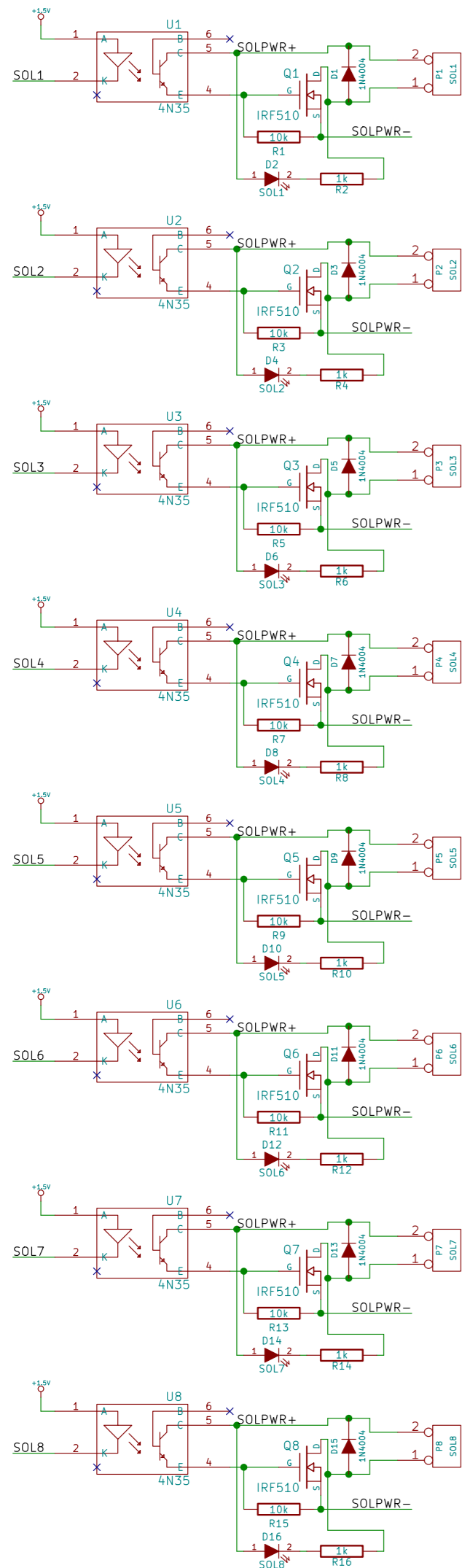
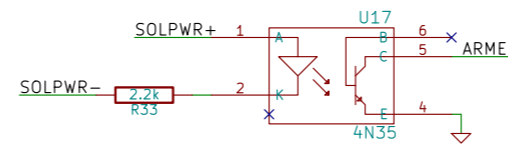


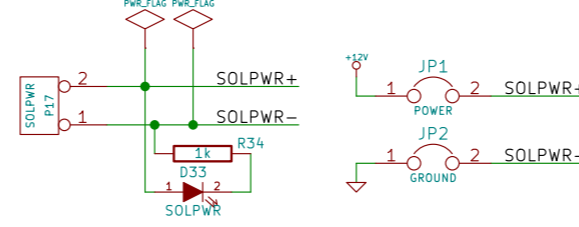
SOLENOID DRIVER



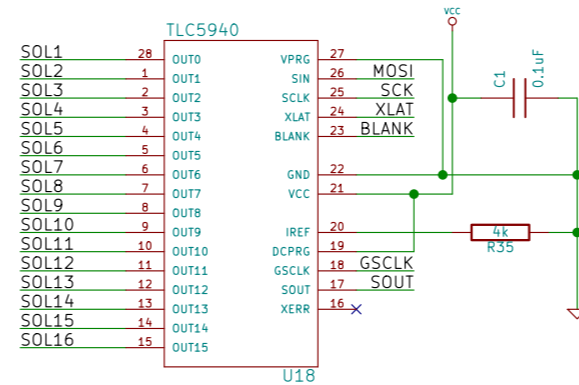
LOAD POWER DETECTION



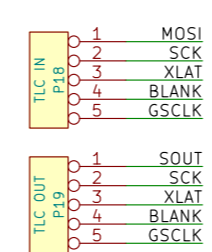
LOAD POWER



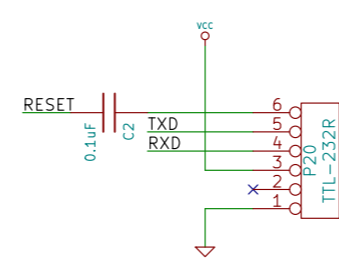
PWM OUTPUT DRIVER



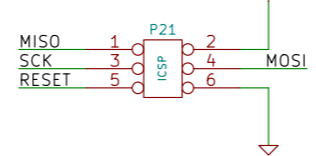
I/O CONNECTORS



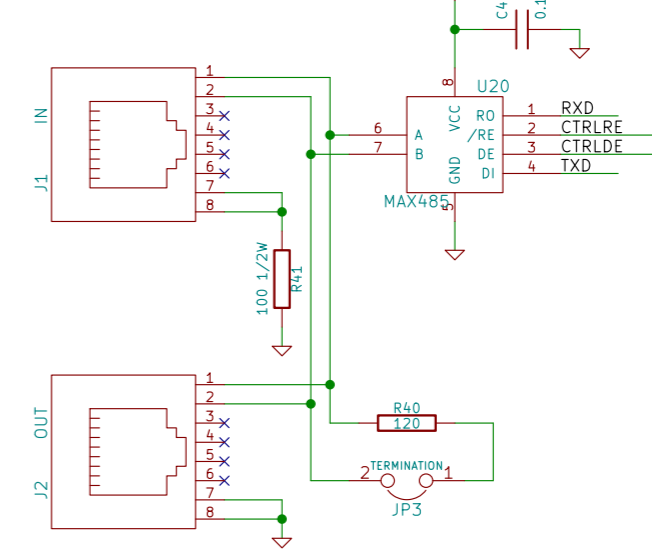
FTDI TTL-232R PORT



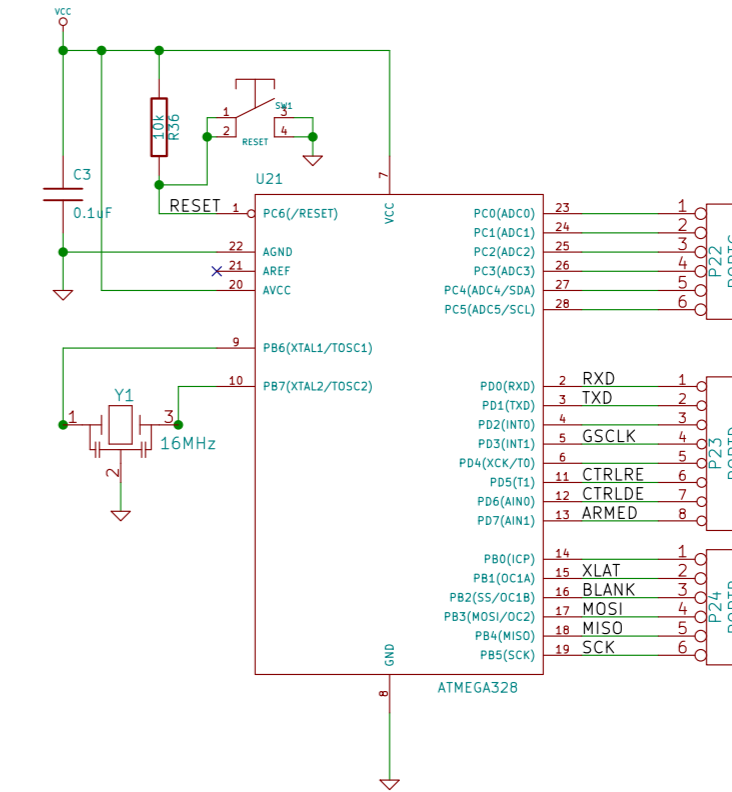
ICSP



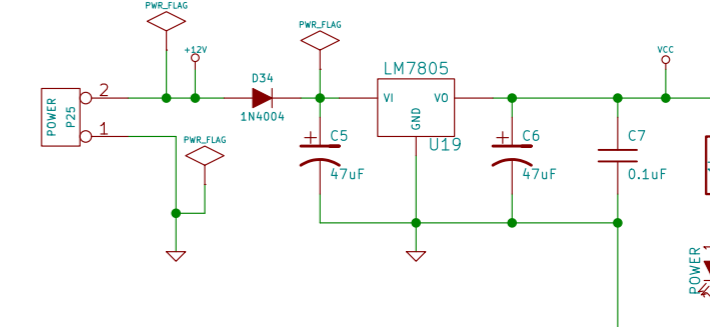
RS-485 COMMUNICATION



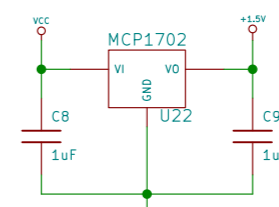
MCU



POWER REGULATOR



1V5 REGULATOR FOR OPTOISOLATOR LEDS



H1 H2 H3 H4  
SCREW HOLE SCREW HOLE SCREW HOLE SCREW HOLE

seth hardy :: propaneandelectronics.com

Sheet: /

Title: 16 channel rs-485 solenoid control board

Size: A2 Date: Saturday, March 14, 2015

KiCad E.D.A. kicad (2015-01-16 B2R 5376)-product

Rev: B

Id: 1/1