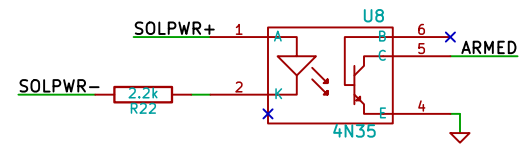
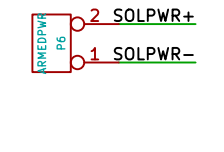
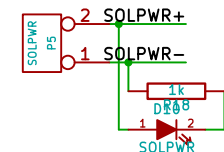
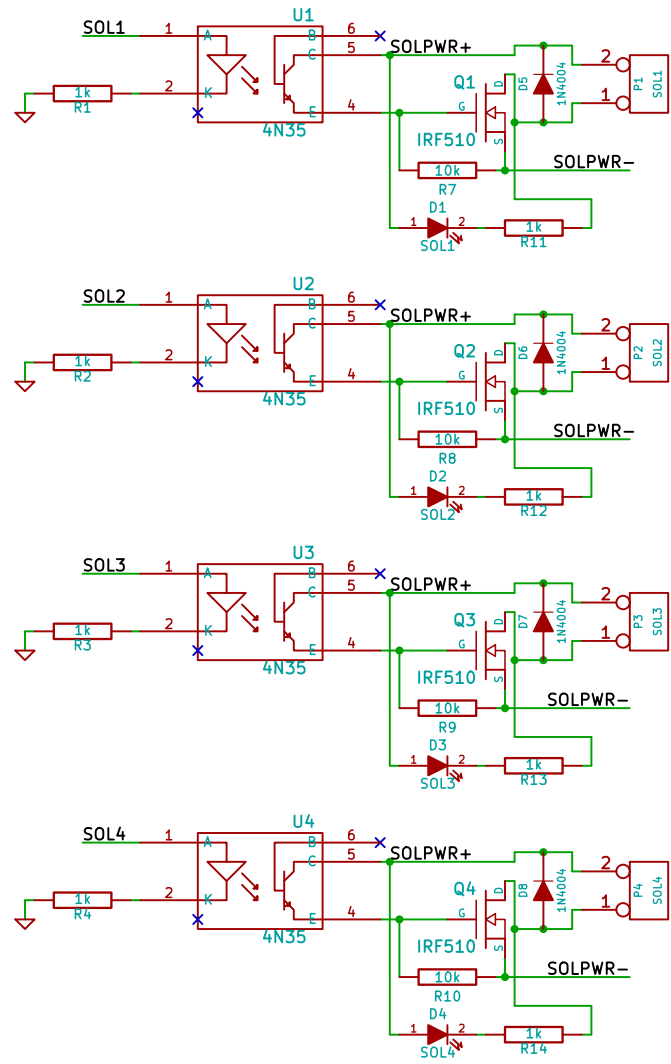
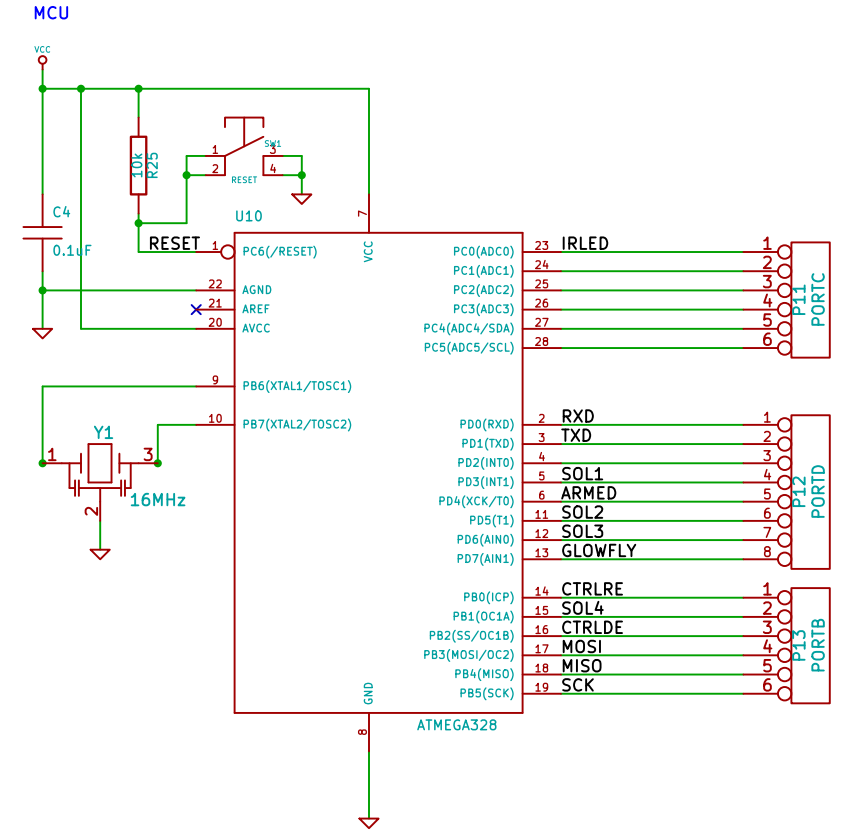
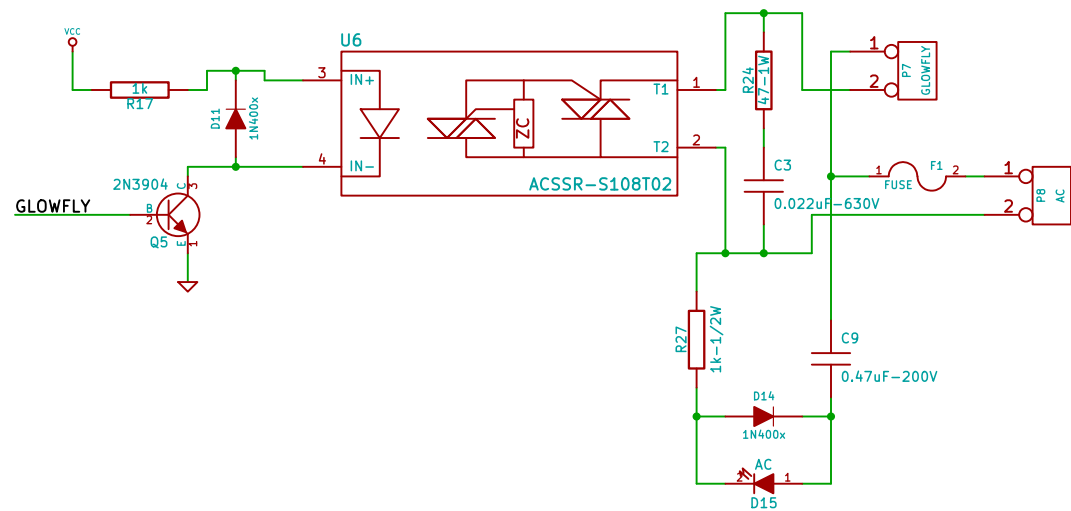


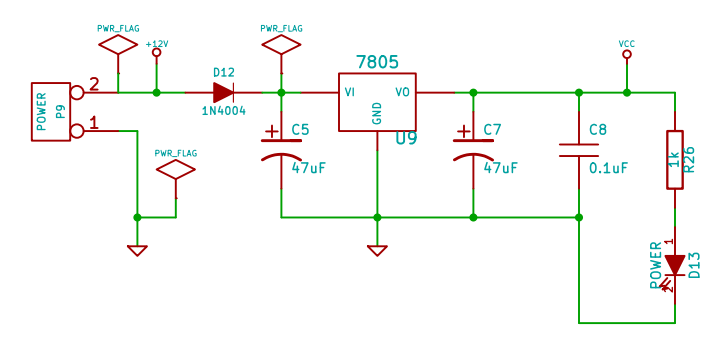
SOLENOID DRIVER



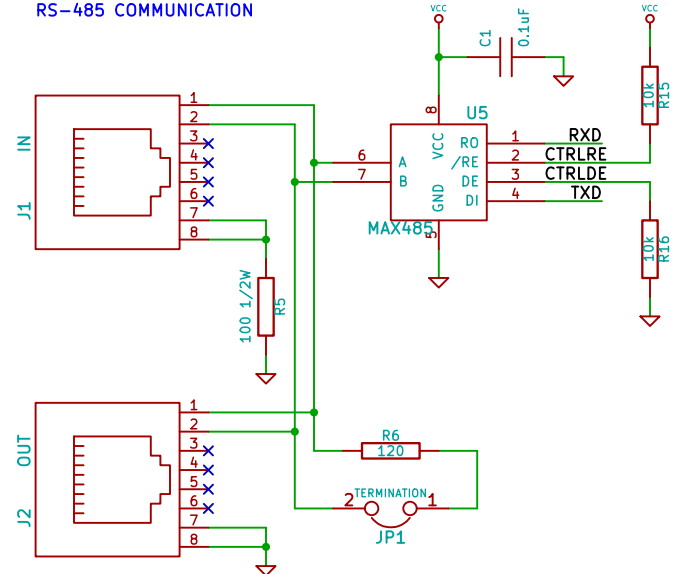
AC SSR HOT SURFACE IGNITER CONTROL



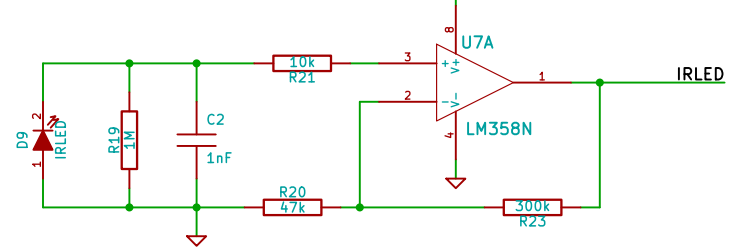
POWER REGULATOR



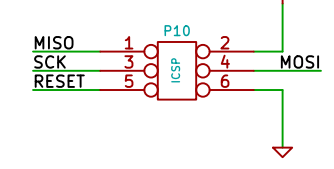
RS-485 COMMUNICATION



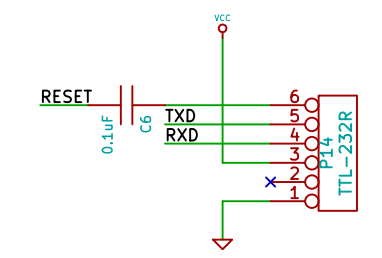
IR LED FLAME SENSOR



ICSP



FTDI TTL-232R PORT



H1 SCREW HOLE H2 SCREW HOLE H3 SCREW HOLE H4 SCREW HOLE