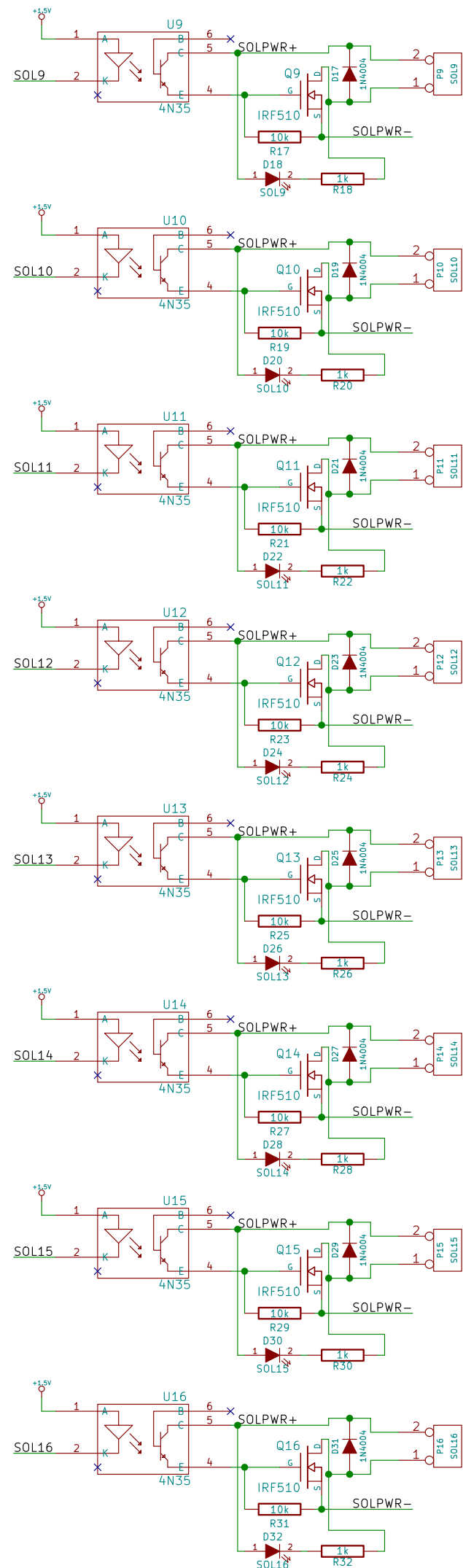
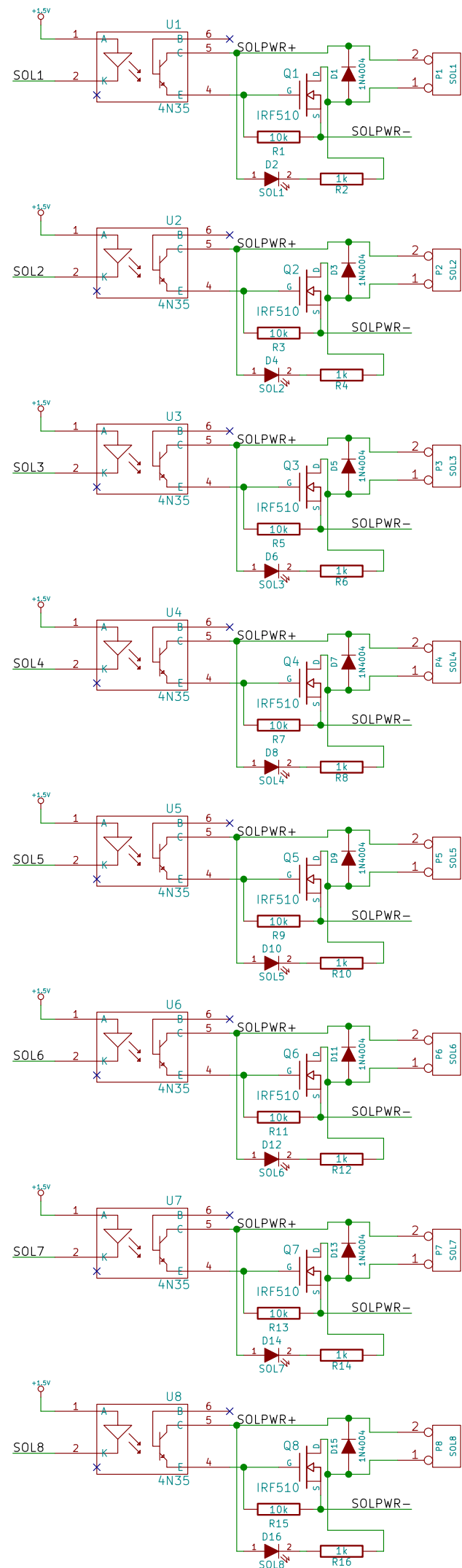
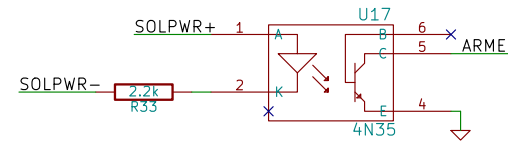


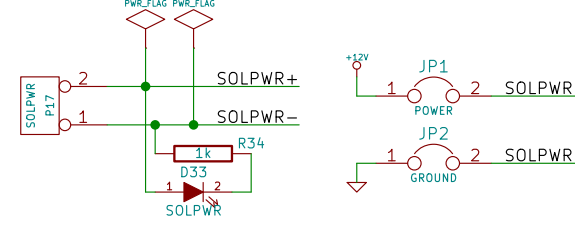
SOLENOID DRIVER



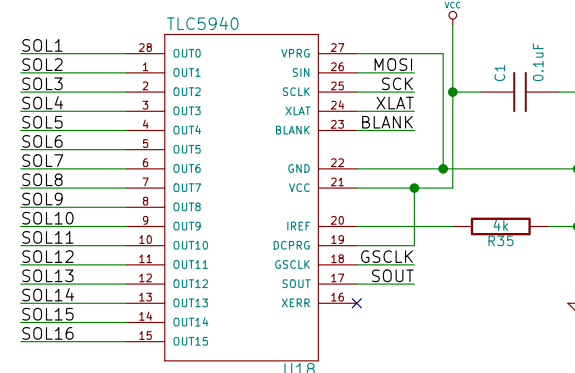
LOAD POWER DETECTION



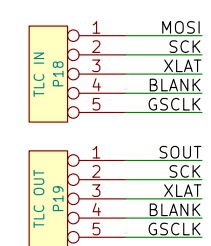
LOAD POWER



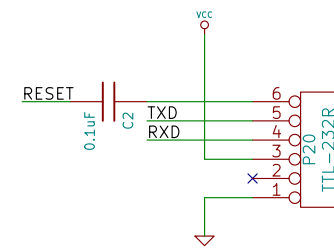
PWM OUTPUT DRIVER



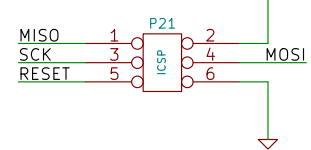
I/O CONNECTORS



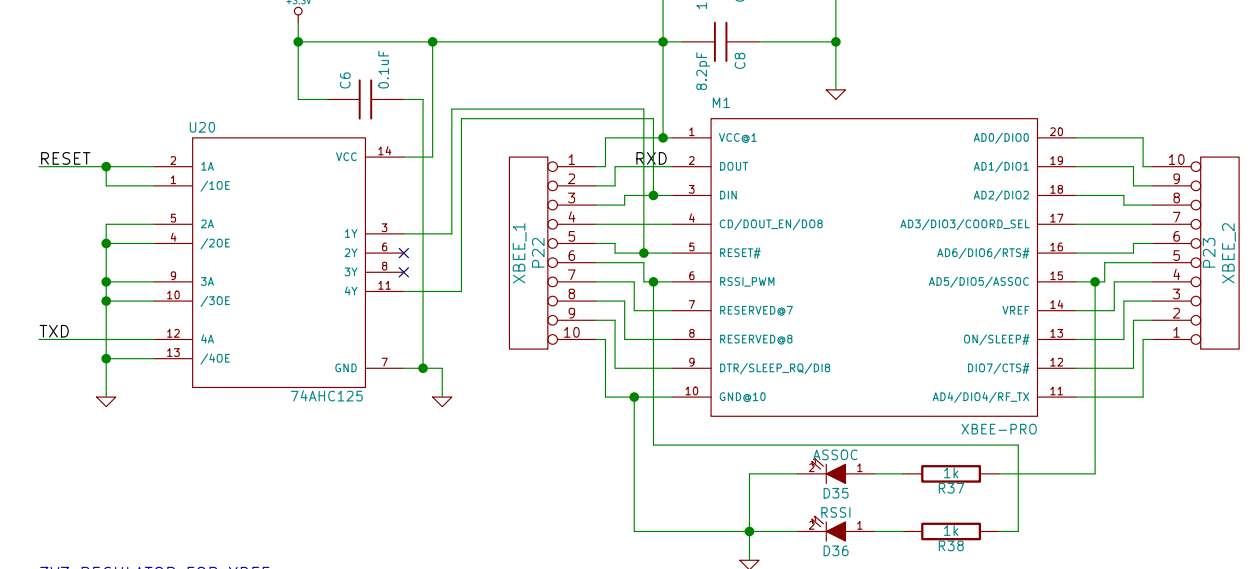
FTDI TTL-232R PORT



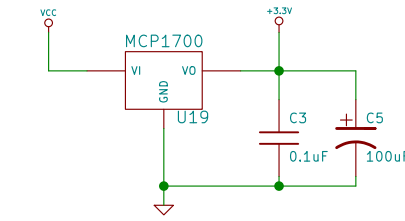
ICSP



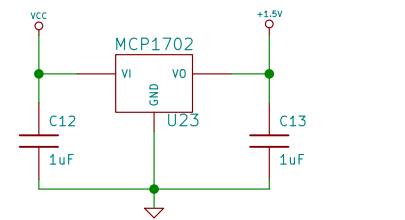
WIFI / XBEE SERIAL INTERFACE



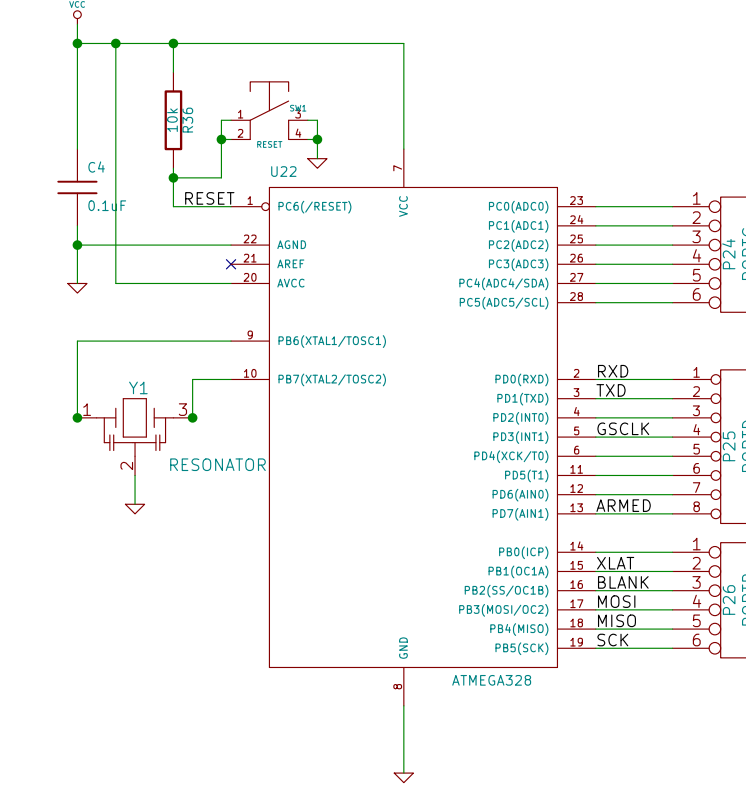
3V3 REGULATOR FOR XBEE



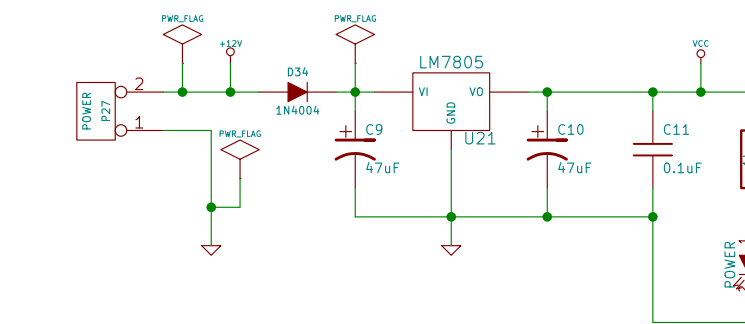
1V5 REGULATOR FOR OPTOISOLATOR LEADS



MCU



POWER REGULATOR



H1 H2 H3 H4
SCREW HOLE SCREW HOLE SCREW HOLE SCREW HOLE