

The New Mercedes-Benz A-Class Limousine.



Mercedes-Benz



VEHICLE
HIGHLIGHT

ENGINE &
TRANSMISSION

DESIGN

TECHNOLOGY

SAFETY

WARRANTY

STANDARD
EQUIPMENT

GENUINE
ACCESSORIES

TECHNICAL
DATA

DIMENSION

FINANCE

MY
SERVICE



Class For Every Day.



Petrol Engine

- 4-cylinder engine runs very quietly and is highly refined. A win-win situation is achieved courtesy of the numerous hightech coatings: they enhance efficiency and reduce wear and tear
- Complex coating system, including extremely hard cylinder barrels featuring NANOSLIDE® technology (iron-carbon) – they provide for ideal lubrication, reduce friction and form the basis for low wear.
- Crankcase in die-cast aluminium and lightweight, compact cylinder head - reduces vehicle weight in areas of significance for driving dynamics

Automatic Transmission 7G-DCT

(Available with A 200)

- The driving modes adjust the 7G DCT to your requirements – depending on the situation and your preference.
- It is always the case that with the dual-clutch transmission you accelerate faster and without any interruption. The next gear is always already preselected.





Mercedes-Benz A-Class Limousine

Design

[VEHICLE HIGHLIGHT](#)[ENGINE & TRANSMISSION](#)[DESIGN](#)[TECHNOLOGY](#)[SAFETY](#)[WARRANTY](#)[STANDARD EQUIPMENT](#)[GENUINE ACCESSORIES](#)[TECHNICAL DATA](#)[DIMENSION](#)[FINANCE](#)[MY SERVICE](#)

The stylish new body of the A-Class Limousine

- Radiator grille with Mercedes-Benz pattern in high-gloss black and central Mercedes star as well as single louvre in matt grey with chrome inlay
- Front apron with trim element in chrome
- Rear apron with lower section painted in high-gloss black, exhaust tailpipes and trim in chrome
- Side sill panels painted in vehicle colour
- Beltline plus window line trim strip in chrome



KEYLESS-GO Comfort Package

- High entry and loading comfort for your everyday motoring: with the KEYLESS-GO Convenience package you can open or lock your vehicle by simply touching the door handle. HANDS-FREE ACCESS opens the boot lid with a kicking motion beneath the bumper. This is particularly useful when you come back from shopping loaded up with heavy bags.
- Very useful at night: thanks to the integral handle recess illumination, you can also find the door handles effortlessly in the dark. In addition, they feature a high-quality finish with chrome inserts.
- It goes without saying that with KEYLESS-GO you also enjoy intelligent control options such as convenient opening or closing of the side windows from the outside at the press of a button. You can also control the optional panoramic sliding sunroof in this same way.



[VEHICLE HIGHLIGHT](#)[ENGINE & TRANSMISSION](#)[DESIGN](#)[TECHNOLOGY](#)[SAFETY](#)[WARRANTY](#)[STANDARD EQUIPMENT](#)[GENUINE ACCESSORIES](#)[TECHNICAL DATA](#)[DIMENSION](#)[FINANCE](#)[MY SERVICE](#)

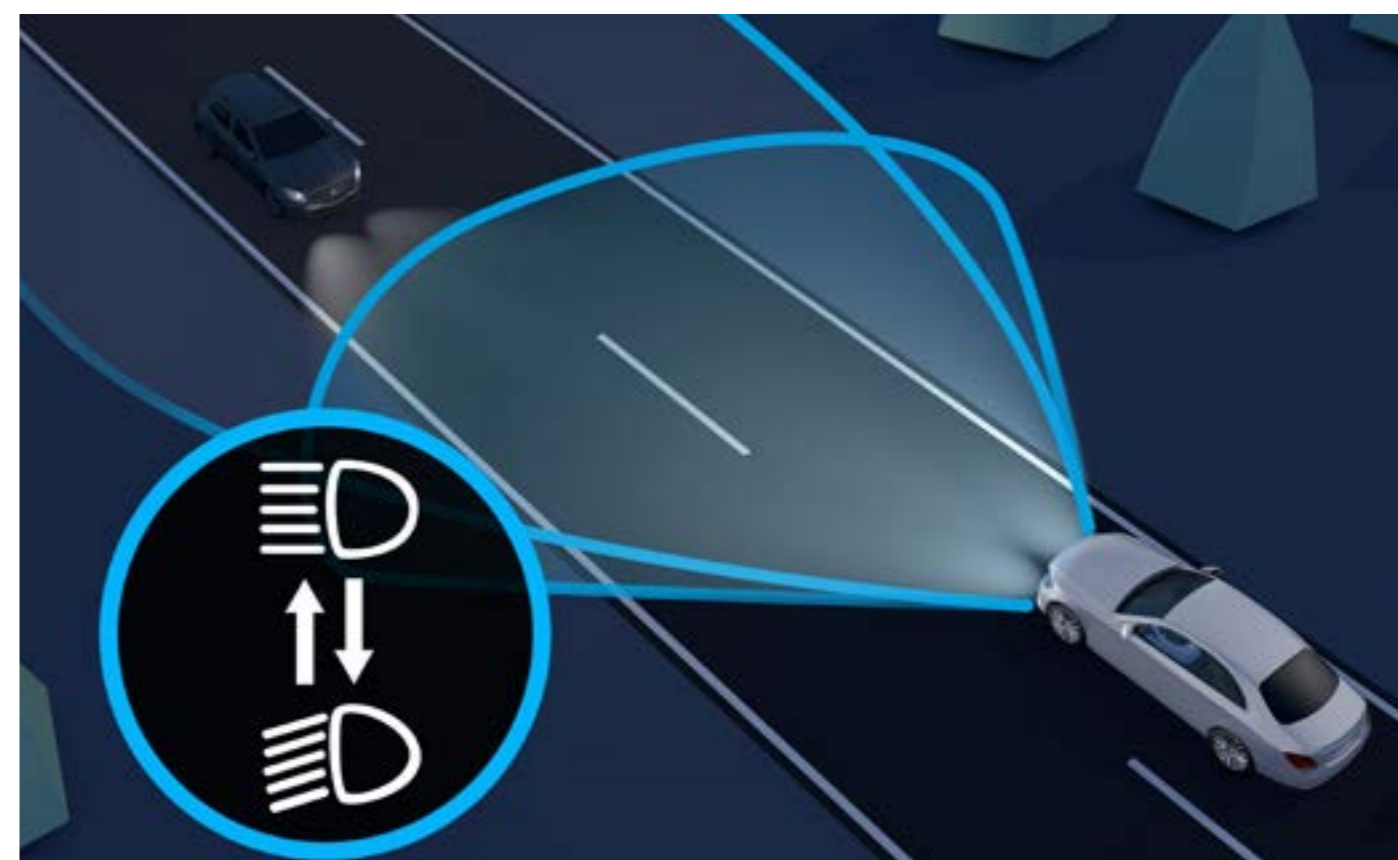
LED High Performance headlamps

- The LED High Performance headlamps illuminate the carriageway with a wide beam and pleasant warm-white light much more precisely and generously. For you, this means: better vision and, consequently, greater safety
- Whether during the day or at night: the LED High Performance headlamps give your vehicle an exceptional radiance.
- When you unlock or lock your vehicle, the headlamps react with a short light show. This is not only pleasant, but also turns your Mercedes-Benz into something very special.
- LED technology is characterized by very low energy consumption and a long service life of the individual LEDs. Normally it is not necessary to change LEDs. This way you save costs, while the environment also benefits.

*Please read the disclaimer

Adaptive Highbeam Assist

- Automatic switching to high and low-beam headlamps once its Switched on by pressing the steering wheel control lever to the main beam setting
- Whenever Adaptive Highbeam Assist is not registering any vehicles in front or oncoming traffic, it switches on the main beam. This means that you can see the road surface or any hazards more clearly. You do not need to keep on changing over to low beam.



[VEHICLE HIGHLIGHT](#)[ENGINE & TRANSMISSION](#)[DESIGN](#)[TECHNOLOGY](#)[SAFETY](#)[WARRANTY](#)[STANDARD EQUIPMENT](#)[GENUINE ACCESSORIES](#)[TECHNICAL DATA](#)[DIMENSION](#)[FINANCE](#)[MY SERVICE](#)

Panoramic sliding sunroof

- Whether open or closed: the panoramic sliding sunroof gives you a wonderful feeling of freedom and a bright and pleasant ambience in the interior.
- When viewed from the outside, the large sliding sunroof likewise makes a unique visual impression, as it lends lightness and exclusivity to the exterior.

[VEHICLE HIGHLIGHT](#)[ENGINE & TRANSMISSION](#)[DESIGN](#)[TECHNOLOGY](#)[SAFETY](#)[WARRANTY](#)[STANDARD EQUIPMENT](#)[GENUINE ACCESSORIES](#)[TECHNICAL DATA](#)[DIMENSION](#)[FINANCE](#)[MY SERVICE](#)

Parking Package with Reversing Camera and Active Parking Assist

- With this package you have the choice to park the vehicle yourself or have it parked. Practical support already starts when looking for and selecting a parking space.
- Once a space has been detected, you can manoeuvre into it effortlessly thanks to the reversing camera or enjoy the support of Active Parking Assist when reversing into a parking space.
- Turn the challenge of tight parking spaces into confident composure. Active Parking Assist with PARKTRONIC is not only able to find parking spaces – it also helps you to enter and leave them. It assists with steering and also with accelerating, braking and changing gears.



Mirror package

- Exterior mirrors fold in and out electrically via a button in the control panel of the driver's door
- Via the menu, the driver is able to define whether the exterior mirrors are to be automatically folded in when the vehicle is locked and folded out again when it is unlocked
- Self-dimming rear-view mirror stepless, depending on the incident glare and ambient light

[VEHICLE HIGHLIGHT](#)[ENGINE & TRANSMISSION](#)[DESIGN](#)[TECHNOLOGY](#)[SAFETY](#)[WARRANTY](#)[STANDARD EQUIPMENT](#)[GENUINE ACCESSORIES](#)[TECHNICAL DATA](#)[DIMENSION](#)[FINANCE](#)[MY SERVICE](#)

Widescreen display

- The high-resolution media display networks you with the car in a large format 26 cm (10.25 inch).
- It is touch-sensitive in responding to your input.
- Symbols make operation easier and improve concentration.
- Highly appealing combination: when the media display is combined with the larger instrument display, the result is a Widescreen cockpit.

All-digital instrument display

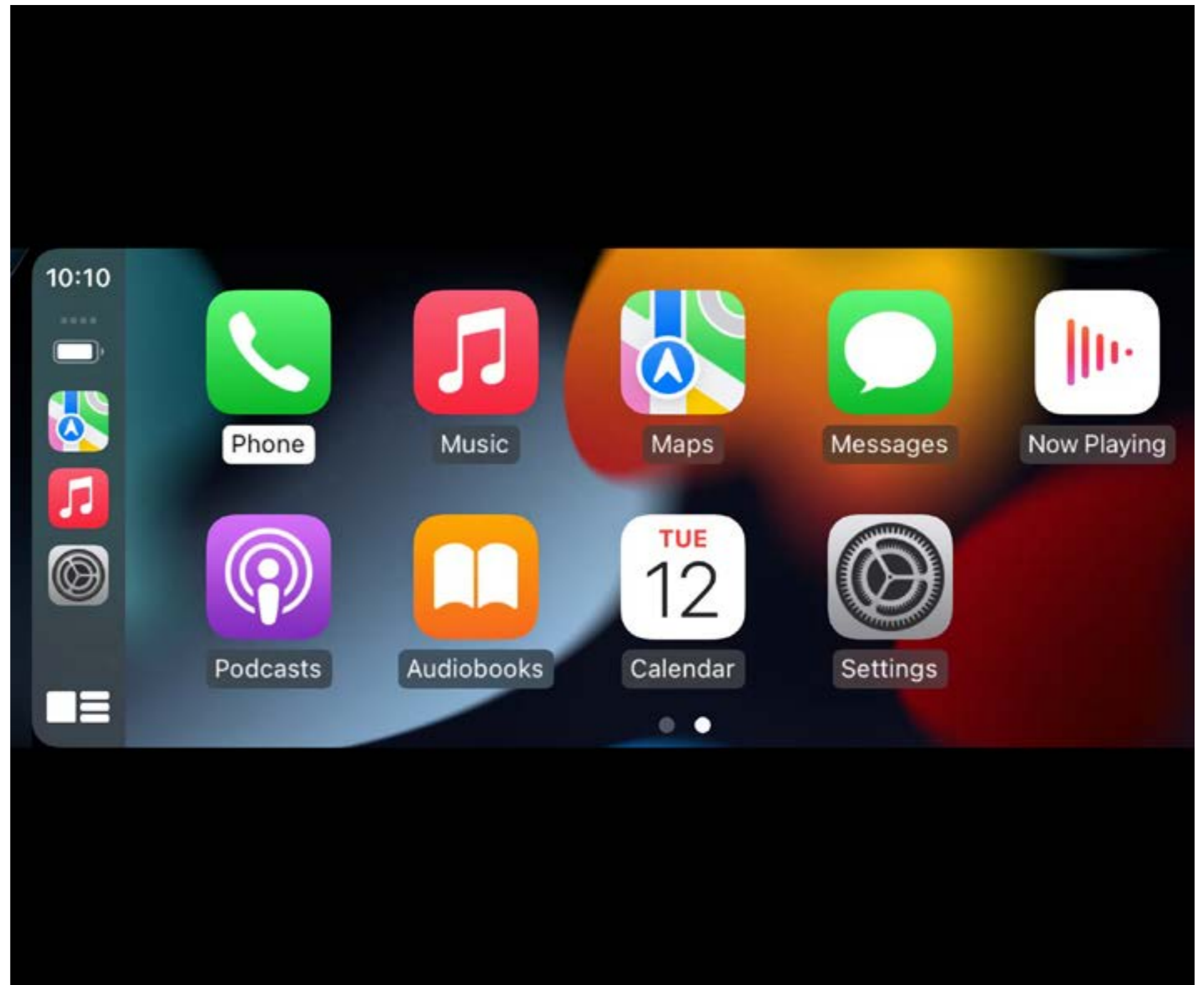
- Expand your dashboard by including a high-resolution 10.25-inch display. Here it is you who decides what information is particularly important to you: The contents displayed in the fully-digital instrument display can be configured individually with different contexts. Moreover, you can choose from 3 attractive display styles.



[VEHICLE HIGHLIGHT](#)[ENGINE & TRANSMISSION](#)[DESIGN](#)[TECHNOLOGY](#)[SAFETY](#)[WARRANTY](#)[STANDARD EQUIPMENT](#)[GENUINE ACCESSORIES](#)[TECHNICAL DATA](#)[DIMENSION](#)[FINANCE](#)[MY SERVICE](#)

Smartphone Integration

- Smartphone Integration connects the mobile phone with the multimedia system wirelessly via Apple CarPlay™ or Android Auto™.
- This gives you convenient access to the most important apps on your smartphone.



[VEHICLE HIGHLIGHT](#)[ENGINE & TRANSMISSION](#)[DESIGN](#)[TECHNOLOGY](#)[SAFETY](#)[WARRANTY](#)[STANDARD EQUIPMENT](#)[GENUINE ACCESSORIES](#)[TECHNICAL DATA](#)[DIMENSION](#)[FINANCE](#)[MY SERVICE](#)

Leather multifunction sports steering wheel

- The elegant leather finish gives the multifunction sports steering wheel an even higher-quality look.
- Sporty 3-spoke steering wheel
- Operation via touch control panels:
 - left: instrument display, cruise control and limiter/Active Distance Assist DISTRONIC
 - right: MBUX multimedia system (e.g. audio volume and title selection, telephony and navigation)
- Touch sensitivity adjustable via the media display

Cruise control

- Enjoy relaxed, fuel-efficient motoring on longer journeys.
- For this you preselect your desired speed and your vehicle takes over control of the speed.
- The limiter helps you to observe a maximum speed.
- This enhances road safety and protects you from expensive speeding tickets.



[VEHICLE HIGHLIGHT](#)
[ENGINE & TRANSMISSION](#)
[DESIGN](#)
[TECHNOLOGY](#)
[SAFETY](#)
[WARRANTY](#)
[STANDARD EQUIPMENT](#)
[GENUINE ACCESSORIES](#)
[TECHNICAL DATA](#)
[DIMENSION](#)
[FINANCE](#)
[MY SERVICE](#)

DYNAMIC SELECT

- Just drive as you want to. At the press of a button, DYNAMIC SELECT offers different driving modes with setting options for the engine, transmission for instance.
- With the “Sport” mode, for example, you are on the road in an emphatically dynamic way, whereas with the basic “Comfort” programme you are very balanced. “ECO” focuses on efficiency, saves fuel and money.



Wireless charging system for mobile devices

- Wireless charging for compatible mobile phones according to the Qi standard
- Quick establishment of connection between the multimedia system and mobile phone via Near Field Communication (NFC) for mobile device identification
- Stowage compartment for wireless charging is located in the front oddments tray in the centre console



Double cup holder

- You can always have a refreshing or warm drink within reach. This is made possible by the double cup holder in the front section of the centre console. You can safely deposit two bottles or mugs in it. And if you remove the double cup holder, you add a large stowage tray to the interior

Stowage compartment in centre console with retractable cover

- The retractable cover for the stowage compartment in the centre console offers you elegant protection from prying eyes in a high-quality material.
- This looks good, the interior appears even tidier, and everything important is to hand. The practical stowage compartment can house typical everyday items such as smartphone, wallet or various keys.



[VEHICLE HIGHLIGHT](#)[ENGINE & TRANSMISSION](#)[DESIGN](#)[TECHNOLOGY](#)[SAFETY](#)[WARRANTY](#)[STANDARD EQUIPMENT](#)[GENUINE ACCESSORIES](#)[TECHNICAL DATA](#)[DIMENSION](#)[FINANCE](#)[MY SERVICE](#)

Ambient lighting

- All 64 colours can be selected individually
- Eight colour schemes each consist of two colours – the cockpit and the footwell are kept in the same colour, while the centre area of dashboard forms a contrast
- The colours are static or slowly replace each other in Dynamic mode to produce a constant change of colour
- Special emotively appealing effects: a light show welcomes the driver, and the climate control indicates in colour via the ambient lighting whether a warmer or colder temperature is being set



THERMOTRONIC automatic climate control

- The THERMOTRONIC controls the individual temperature in two zones. And you never have to readjust, because the sensitive sensors even register changes in conditions, such as sunlight.
- The activated charcoal filter works very efficiently, and apart from particulate matter, it also eliminates harmful substances and unpleasant odours.



Driver's seat, electrically adjustable with memory function

- With the memory function, you can store and conveniently select up to 3 different seat positions. You can very easily readjust the seat electrically and steplessly.
- Memory programming with storage of the following adjustment options: Height and length adjustment of the seats
- Adjustment of seat cushion and seat back inclination
- Position of the exterior mirrors and the optional head-up display
- Dynamic seating while driving: small movements of the seat cushion and backrest in 3 programmes and 2 speeds

Light and Sight package

- More light sources for good orientation – and they look good too: for example, transparent lenses in the overhead control panel create a three-dimensional crystal effect
- The vanity mirror in the sunblind is illuminated for a quick glance or when putting on make-up
- Overhead control panel, “4 light stones”
- Interior light and left and right reading light in the rear and front along with console downlight
- Sun visor with illuminated vanity mirror
- Front exit light and footwell lighting, left and right
- Cupholder and stowage compartment lighting
- Oddments tray lighting



Comfort Seats

- It does just what its name says. The comfort suspension seat ensures good long-distance comfort and is extensively adjustable for length and height.
- You are also able to change the angle of the seat surface, and even lengthen it. So you can always find your desired seating position.
- A particular bonus for very tall drivers: the extendible seat cushion. It extends the supporting surface for the thighs by up to six centimetres.



4-way lumbar support

- For an ergonomic seating position and relaxed back muscles.
- It adapts the seat contour to your lumbar spine and gives it support.
- Four settings are possible: higher, lower, weaker or stronger

[VEHICLE HIGHLIGHT](#)[ENGINE & TRANSMISSION](#)[DESIGN](#)[TECHNOLOGY](#)[SAFETY](#)[WARRANTY](#)[STANDARD EQUIPMENT](#)[GENUINE ACCESSORIES](#)[TECHNICAL DATA](#)[DIMENSION](#)[FINANCE](#)[MY SERVICE](#)

Velour floor mats

- The floor mats in high-quality velour enhance the interior.
- They are finished in black and feature elegant topstitching in the respective appointments colour.
- Naturally they also have a very practical use.
- They protect the footwell against dirt and can be removed easily to be cleaned.

Rear armrest

- With the armrest in the rear you can provide your passengers with a particularly relaxed seating position.
- Their ride comfort is also enhanced thanks to two integral cup holders for drinks.





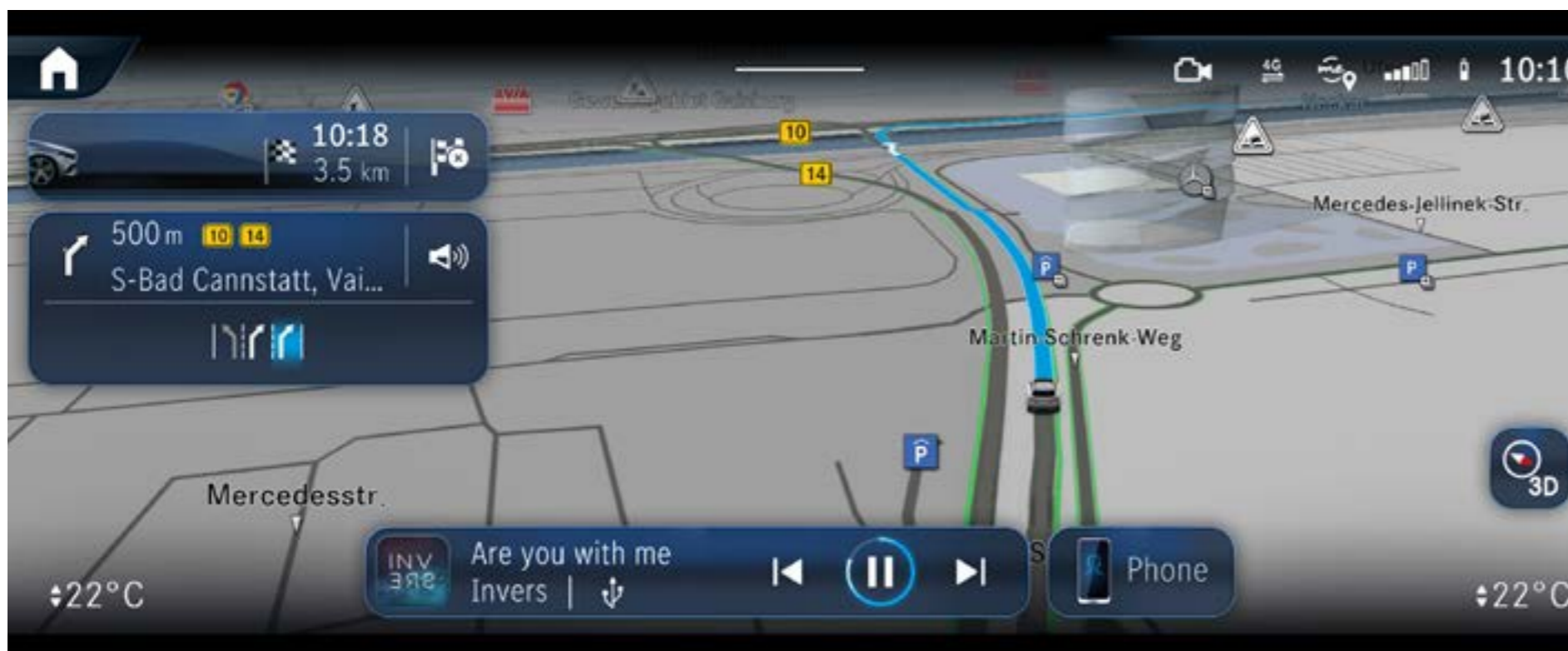
Mercedes-Benz A-Class Limousine

Technology

[VEHICLE HIGHLIGHT](#)
[ENGINE & TRANSMISSION](#)
[DESIGN](#)
[TECHNOLOGY](#)
[SAFETY](#)
[WARRANTY](#)
[STANDARD EQUIPMENT](#)
[GENUINE ACCESSORIES](#)
[TECHNICAL DATA](#)
[DIMENSION](#)
[FINANCE](#)
[MY SERVICE](#)


Latest generation of Telematics- NTG7

- With the model facelift, the Mercedes-Benz A-Class receives the latest generation of the MBUX multimedia system.
- Operation is now even more intuitive: via the MBUX voice assistant, the standard 10.25-inch media display with touch function or with the help of the new touch control panels on the steering wheel.
- Remembers your favourite songs and the way to your work.
- Automatically adjusts the right radio station or shows the fastest route
- Zero Layer concept is a perfect example of how the car learns your preferences and displays frequently used icons on the screen
- The driver and central displays create a holistic, aesthetic experience and can be customised as desired with the help of the newly designed display styles (Classic with all relevant driver information, Sporty with the dynamic rev counter, Discreet with reduced content), three modes (Navigation, Assistance, Service).



[VEHICLE HIGHLIGHT](#)[ENGINE & TRANSMISSION](#)[DESIGN](#)[TECHNOLOGY](#)[SAFETY](#)[WARRANTY](#)[STANDARD EQUIPMENT](#)[GENUINE ACCESSORIES](#)[TECHNICAL DATA](#)[DIMENSION](#)[FINANCE](#)[MY SERVICE](#)

MBUX Navigation Premium

With MBUX Navigation Premium you can reach your destination quickly and well informed. As part of this you can rely on up-to-date map data including satellite view, accurate real-time traffic information and fast online route guidance. And last but not least, intelligently networked functions make your journey safer.

Live Traffic Information : Arrive at your destination stress-free, via the best route and quicker. Live Traffic Information receives traffic information in real time which is more precise and up to date than conventional systems and optimises dynamic route guidance. Whether in rush hour or when travelling: You can react to many situations and easily avoid traffic jams and stop-and-go traffic

Car-To-X

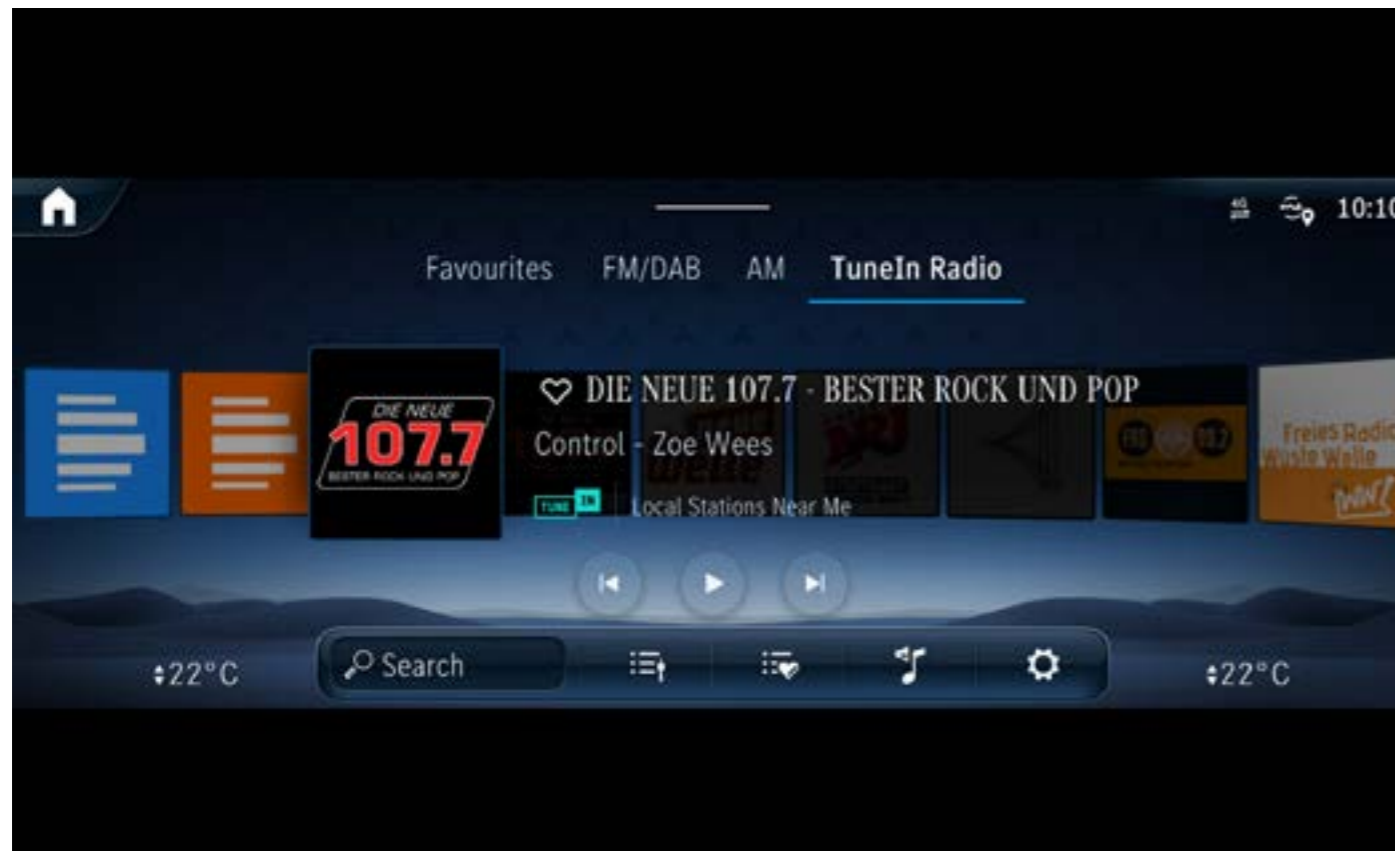
Drive with foresight and safely thanks to networked information functionality - Car-to-X-Communication, you can see such dangers coming and react in good time



[VEHICLE HIGHLIGHT](#)[ENGINE & TRANSMISSION](#)[DESIGN](#)[TECHNOLOGY](#)[SAFETY](#)[WARRANTY](#)[STANDARD EQUIPMENT](#)[GENUINE ACCESSORIES](#)[TECHNICAL DATA](#)[DIMENSION](#)[FINANCE](#)[MY SERVICE](#)

Extended MBUX functions

- Create an emotional bond – a vehicle becomes your vehicle. Because the extended MBUX functions adapt to you. Say “Hey Mercedes” and MBUX awaits your wishes and keeps learning thanks to an online connection*. Personal profiles*, predictive functions* and a WiFi hotspot completely redefine digital networking.



Individualisation

- Change the ambient lighting
- Configure the display styles on the instrument cluster and multimedia system display.
- Individualise the Touch Control buttons on the steering wheel.

VEHICLE
HIGHLIGHTENGINE &
TRANSMISSION

DESIGN

TECHNOLOGY

SAFETY

WARRANTY

STANDARD
EQUIPMENTGENUINE
ACCESSORIESTECHNICAL
DATA

DIMENSION

FINANCE

MY
SERVICE

Digital Key Handover

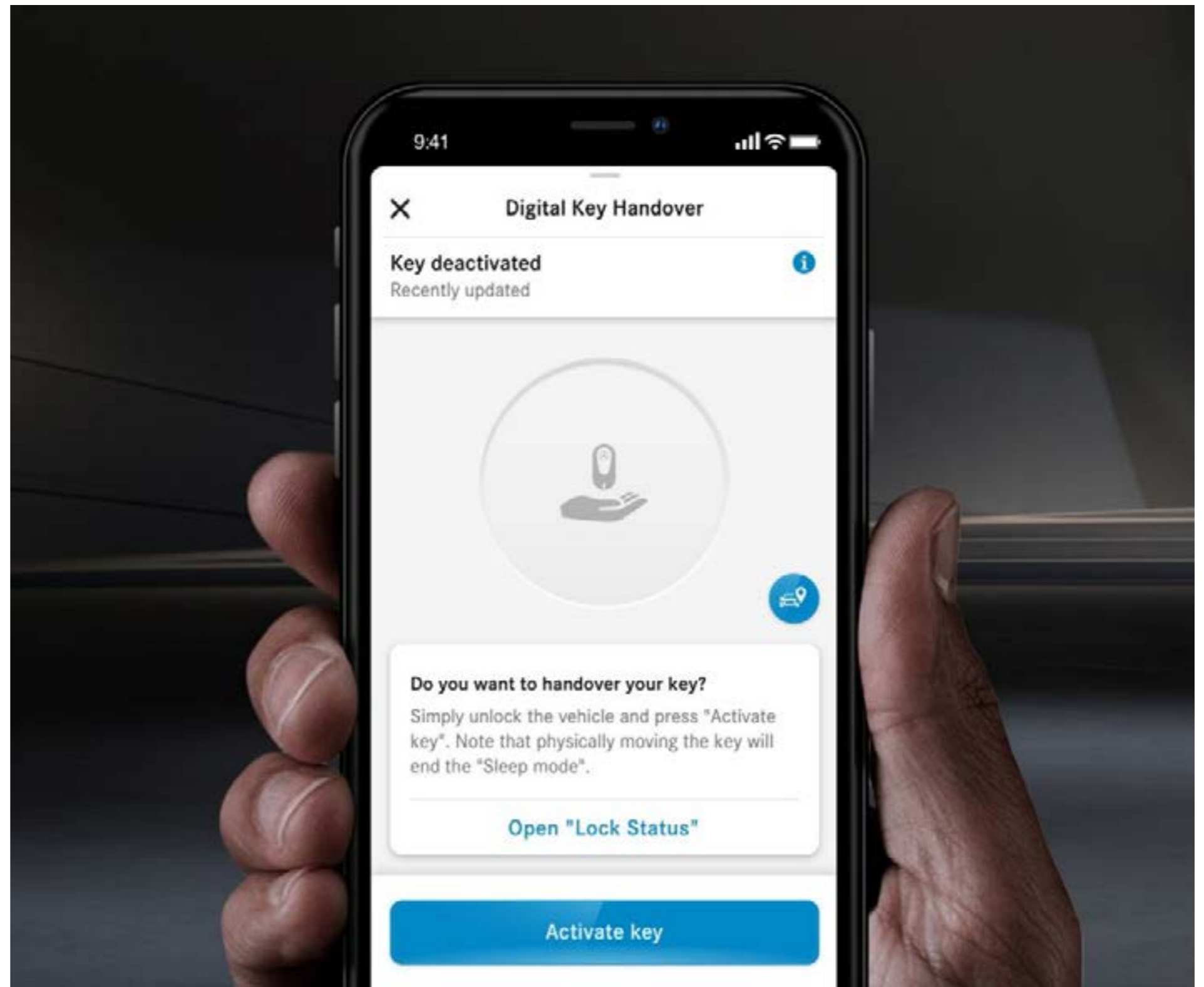
Share your vehicle with friends and family – wherever you are, and easily via the Mercedes me App. You retain control and decide who you leave your Mercedes with. You unlock your vehicle remotely via the app and activate the stored vehicle key for the user when they are at the vehicle.

First activate the service via the Mercedes me Portal. Everything else is done via the Mercedes me app. All you need to do is to log in there, using your Mercedes me access data.

Leave a vehicle key: select one of the vehicle keys and place it in the glove compartment of your vehicle. Then deactivate it via the Mercedes me App.

Unlock the vehicle: As soon the driver you have authorised is near the vehicle, unlock it as usual via the Mercedes me App. The authorised driver does not need a Mercedes me account or the Mercedes me App. You communicate as usual via your preferred messenger service or by phone call.

Activate the key: Now activate the key stored in the glove compartment to share your vehicle. If the borrower no longer needs your vehicle, he/she hands the key back to you or deposits it back in the vehicle. Then you deactivate the key and lock the vehicle.



[VEHICLE HIGHLIGHT](#)[ENGINE & TRANSMISSION](#)[DESIGN](#)[TECHNOLOGY](#)[SAFETY](#)[WARRANTY](#)[STANDARD EQUIPMENT](#)[GENUINE ACCESSORIES](#)[TECHNICAL DATA](#)[DIMENSION](#)[FINANCE](#)[MY SERVICE](#)

Mercedes me connect allows drivers to stay in touch with their vehicles from anywhere in the world and to obtain assistance at the touch of a button.

Mercedes me

Vehicle Monitoring

Vehicle Tracker: Track your vehicle from anywhere, as your vehicle's GPS coordinates are seen on your phone App.

Parked Vehicle Locator: It can locate your parked vehicle within a radius of 1.5 kilometres and show you on a map how to make your way back to the vehicle.

Navigation Connectivity package

The combination of the standard-fit communication module (LTE) and the hard-disc navigation makes sure that you always reach your destination as quickly as possible by the best route.

Communications module (LTE) for the use of Mercedes me connect services

The combination of the standard-fit communication module (LTE) and the hard-disc navigation makes sure that you always reach your destination as quickly as possible by the best route.

Vehicle Set-Up

Remote Retrieval of Vehicle Status: Information on Mercedes me App or the Mercedes me Portal.

Remote Door Locking and Unlocking: You can conveniently remotely lock or unlock your vehicle from the Mercedes me App.

Speed Alert: Receive an alert if your vehicle exceeds a certain speed.

Send2Car function: Send your address to your vehicle via an app.

Mercedes-Benz emergency call system

The Mercedes-Benz emergency call system can save you vital moments in an emergency. If an accident is detected, a communication module with its own SIM card automatically triggers an emergency call which can shorten the time until the rescue services arrive. Alternatively, an emergency call can be triggered manually to organise assistance.

Please note that certain services are offered free of cost for a period of three (03) years and may be chargeable at the expiry of three (03) years from the date of activation of such services. If you wish to continue using those services, you may renew the same through Mercedes Me Store (as and when it is available). Please get in touch with your preferred Franchise Partner for more details.

VEHICLE
HIGHLIGHTENGINE &
TRANSMISSION

DESIGN

TECHNOLOGY

SAFETY

WARRANTY

STANDARD
EQUIPMENTGENUINE
ACCESSORIESTECHNICAL
DATA

DIMENSION

FINANCE

MY
SERVICE

Mercedes me

Vehicle Finder (enables horn and light flashing)

Find your vehicle in large parking lots with ease. Simply blow the horn or flash the headlamps through the app to locate your vehicle

Geo-fencing

Set a perimeter for the car movement and receive notifications in case of vehicle movement beyond the parameter. Hence the feature enables easy monitoring when vehicle is being driven by others.

Windows/sunroof open close from App

Open/Close the windows and sunroof of your Mercedes-Benz remotely through the app. This enables better ventilation before you get into the car.

Mercedes me Service app: Your digital assistant

Keep a tab on your Star's maintenance with ease. Get timely maintenance and service reminders. Book a service appointment and search for nearest showrooms with a single touch. What's more, access expert tips to keep your Star in its best shape with car care videos.

Remote Services Plus

The Remote Services Plus package turns mobility into a fresh experience and delivers greater convenience and safety. You can control certain functions remotely and also locate your vehicle. For example, you can open your windows before you get in – and thus ventilate the interior on hot days.



[VEHICLE HIGHLIGHT](#)[ENGINE & TRANSMISSION](#)[DESIGN](#)[TECHNOLOGY](#)[SAFETY](#)[WARRANTY](#)[STANDARD EQUIPMENT](#)[GENUINE ACCESSORIES](#)[TECHNICAL DATA](#)[DIMENSION](#)[FINANCE](#)[MY SERVICE](#)

Mercedes me

Additional Mercedes me connect features

Alexa Home Integration with Mercedes me

connect: Conversations with Alexa are now more fun when the systems connect with your Mercedes Benz via cloud and give you real time updates. This feature can be used from an Alexa Echo device setup at home, office or also from phone's Alexa App. The command starts with "Alexa, Ask Mercedes to...." or directly initiate a command by saying "Alexa, tell Mercedes to <command>".

Google Home integration with Mercedes me connect: Google Home integration is also offered for Google home users. In a similar way, once the Mercedes me connect is linked to Google Home, you can start issuing commands.

Parking location POIs (Points of Interest): The introduction of new Parking solution, shows Parking lots available across different parts of the cities. The Parking POIs (Points of interest) can be seen easily on the navigation system or alternatively also on the Mercedes me App maps section.

Please note that certain services are offered free of cost for a period of three (03) years and may be chargeable at the expiry of three (03) years from the date of activation of such services. If you wish to continue using those services, you may renew the same through Mercedes Me Store (as and when it is available). Please get in touch with your preferred Franchise Partner for more details.

*Please read the disclaimer





Mercedes-Benz A-Class Limousine

Safety

[VEHICLE HIGHLIGHT](#)[ENGINE & TRANSMISSION](#)[DESIGN](#)[TECHNOLOGY](#)[SAFETY](#)[WARRANTY](#)[STANDARD EQUIPMENT](#)[GENUINE ACCESSORIES](#)[TECHNICAL DATA](#)[DIMENSION](#)[FINANCE](#)[MY SERVICE](#)

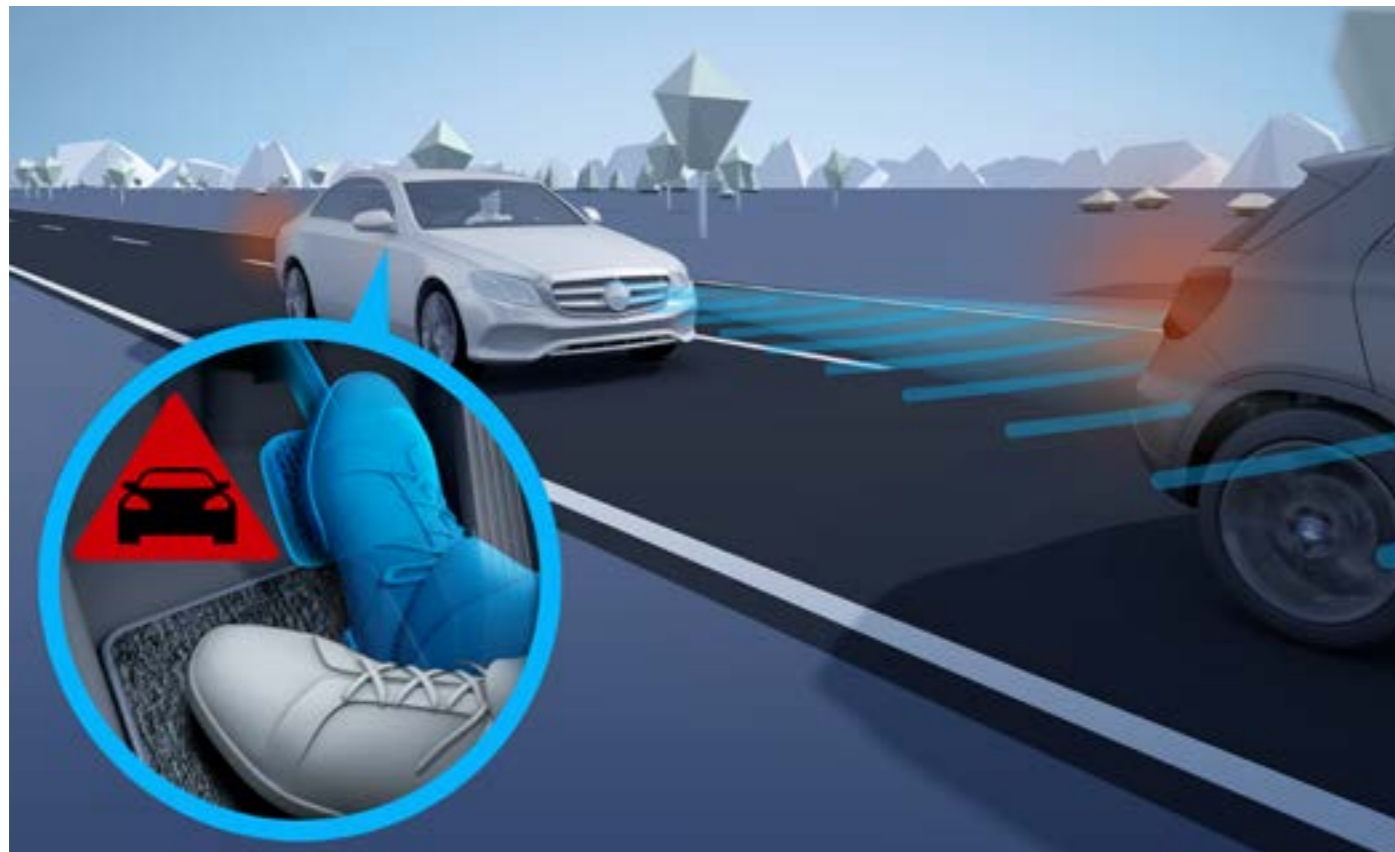
Knee Airbag

- The knee airbag protects your legs from contact with the steering column or dashboard in a severe frontal crash. This can prevent or mitigate the severity of injuries.
- The air cushion inflates in milliseconds and stabilises the whole body.
- This ensures that the entire restraint system including the seat belt work together optimally.

[VEHICLE HIGHLIGHT](#)[ENGINE & TRANSMISSION](#)[DESIGN](#)[TECHNOLOGY](#)[SAFETY](#)[WARRANTY](#)[STANDARD EQUIPMENT](#)[GENUINE ACCESSORIES](#)[TECHNICAL DATA](#)[DIMENSION](#)[FINANCE](#)[MY SERVICE](#)

Active Brake Assist

- This assistant can help to avoid collisions with moving or stationary vehicles in front, with oncoming traffic when making a turn and with moving pedestrians as well as cyclists.
- As part of this, in addition to distance and collision warning, the system primarily also offers situation-appropriate braking assistance – right up to autonomous emergency braking.



Pedestrian Protection - Active Bonnet

- If a pedestrian collides head-on with a vehicle travelling in the speed range 25 to 55 km/h, a sophisticated sensor system controlled by intelligent algorithms will trigger various actuators.
- These are pyrotechnical elements that raise the bonnet in the hinge area by about 80 mm.
- The increase in distance between the bonnet and the components inside the engine compartment creates an additional deformation space that, in certain accident situations, can help reduce the risk of injury to pedestrians.

[VEHICLE HIGHLIGHT](#)[ENGINE & TRANSMISSION](#)[DESIGN](#)[TECHNOLOGY](#)[SAFETY](#)[WARRANTY](#)[STANDARD EQUIPMENT](#)[GENUINE ACCESSORIES](#)[TECHNICAL DATA](#)[DIMENSION](#)[FINANCE](#)[MY SERVICE](#)

Tyre pressure monitor

- The system monitors the tyre pressure for you and provides you with a warning in the event of a drop in pressure.
- This way you can react more quickly to this hazardous situation. Too low a tyre pressure can also result in longer braking distances.
- When the control system notifies you, you should top up the air quickly. Correct tyre pressure additionally increases mileage.



[VEHICLE HIGHLIGHT](#)[ENGINE & TRANSMISSION](#)[DESIGN](#)[TECHNOLOGY](#)[SAFETY](#)[WARRANTY](#)[STANDARD EQUIPMENT](#)[GENUINE ACCESSORIES](#)[TECHNICAL DATA](#)[DIMENSION](#)[FINANCE](#)[MY SERVICE](#)

The 8 years you'll be looking forward to.

The all-new A-Class Limousine isn't just best-in-class when it comes to road presence and impressive features. There's more to the Star than meets the eye. To give you an experience like never before, enjoy an 8-year warranty on engine and transmission from the date of the purchase.

Get exclusive benefits such as:

- Honoured at any of our authorized Mercedes-Benz Franchise partner nationwide
- Warranty work and repairs performed using Genuine Mercedes-Benz Parts
- Warranty transferable to the next owner in the event of a sale.

Coverage of the parts such as:

- Engine and Transmission
- Supercharger/Turbocharger
- Engine and Transmission Control Units

VEHICLE HIGHLIGHT

ENGINE & TRANSMISSION

DESIGN

TECHNOLOGY

SAFETY

WARRANTY

STANDARD EQUIPMENT

GENUINE ACCESSORIES

TECHNICAL DATA

DIMENSION

FINANCE

MY SERVICE

Paintwork

Cosmos Black



Iridium Silver



Polar White



Mountain Grey



[VEHICLE HIGHLIGHT](#)[ENGINE & TRANSMISSION](#)[DESIGN](#)[TECHNOLOGY](#)[SAFETY](#)[WARRANTY](#)[STANDARD EQUIPMENT](#)[GENUINE ACCESSORIES](#)[TECHNICAL DATA](#)[DIMENSION](#)[FINANCE](#)[MY SERVICE](#)

Upholstery



ARTICO man-made leather black
(Available with Iridium Silver)



ARTICO man-made leather macchiato beige
(Available with Polar White, Cosmos Black and Mountain Grey)

Trim



Open-pore line structure brown walnut wood trim elements

[VEHICLE HIGHLIGHT](#)[ENGINE & TRANSMISSION](#)[DESIGN](#)[TECHNOLOGY](#)[SAFETY](#)[WARRANTY](#)[STANDARD EQUIPMENT](#)[GENUINE ACCESSORIES](#)[TECHNICAL DATA](#)[DIMENSION](#)[FINANCE](#)[MY SERVICE](#)

Alloy

43.2 cm (17-inch) 5-twin-spoke light-alloy wheels
43.2 cm (17-inch) 5 twin-spoke light-alloy wheels aerodynamically-optimised, painted in black with high-sheen finish.

[VEHICLE HIGHLIGHT](#)[ENGINE & TRANSMISSION](#)[DESIGN](#)[TECHNOLOGY](#)[SAFETY](#)[WARRANTY](#)[STANDARD EQUIPMENT](#)[GENUINE ACCESSORIES](#)[TECHNICAL DATA](#)[DIMENSION](#)[FINANCE](#)[MY SERVICE](#)

Genuine Accessories - Exterior



B-pillar cover, Carbon-Style

The Mercedes-Benz Sport Equipment B-pillar cover, with its realistic carbon fiber look and individual, dynamic 3D effect, underlines the vehicle's dynamic appearance.



Side skirt, Carbon-Style

The Mercedes-Benz Sport Equipment side sill panel, with its realistic carbon fibre look and individual, dynamic 3D effect, underlines the vehicle's dynamic appearance.



Rear Spoiler, Standard variant & Carbon-Style

Mercedes-Benz Sport Equipment rear spoiler significantly improves aerodynamics. Harmoniously tailored to the contours of the vehicle for a sporty design.

[VEHICLE HIGHLIGHT](#)[ENGINE & TRANSMISSION](#)[DESIGN](#)[TECHNOLOGY](#)[SAFETY](#)[WARRANTY](#)[STANDARD EQUIPMENT](#)[GENUINE ACCESSORIES](#)[TECHNICAL DATA](#)[DIMENSION](#)[FINANCE](#)[MY SERVICE](#)

Genuine Accessories - Interior



LED logo projector, Mercedes star

LED Mercedes star logo projectors, set of 2. For the exit lamps in the side doors.



LED logo projector, AMG emblem

AMG emblem LED projectors, set of 2. For the exit lamps in the side doors.



Door sill panel, illuminated, front

An innovative individualization option not only offers a visual eye-catcher, but also ensures better orientation in the dark: Mercedes-Benz door sill panels (front) as retrofit kit with replaceable cover featuring white LED lighting

[VEHICLE HIGHLIGHT](#)[ENGINE & TRANSMISSION](#)[DESIGN](#)[TECHNOLOGY](#)[SAFETY](#)[WARRANTY](#)[STANDARD EQUIPMENT](#)[GENUINE ACCESSORIES](#)[TECHNICAL DATA](#)[DIMENSION](#)[FINANCE](#)[MY SERVICE](#)

Genuine Accessories - Safety



KIDFIX XP with ISOFIX

The “KIDFIX XP” child seat, specially tested and designed for children between the ages of around 3.5 and 12 years (body weight of 15 to 36 kg).



AMG KIDFIX XP child seat, with ISOFIX

The “AMG KIDFIX XP” child seat, specially tested and designed for children between the ages of around 3.5 and 12 years (body weight of 15 to 36 kg).

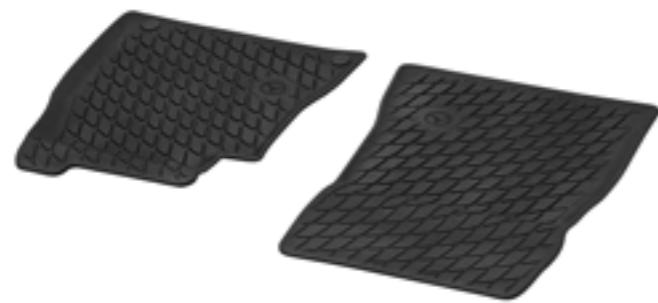


DUO plus with ISOFIX

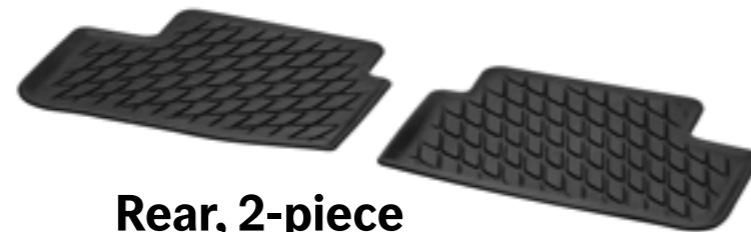
Children between the ages of around 9 months and 4 years (weight 9 to 18 kg) can safely travel in the DUO plus child seat from Mercedes-Benz.

[VEHICLE HIGHLIGHT](#)[ENGINE & TRANSMISSION](#)[DESIGN](#)[TECHNOLOGY](#)[SAFETY](#)[WARRANTY](#)[STANDARD EQUIPMENT](#)[GENUINE ACCESSORIES](#)[TECHNICAL DATA](#)[DIMENSION](#)[FINANCE](#)[MY SERVICE](#)

Genuine Accessories - Protectors



Driver/co-driver's, 2-piece



Rear, 2-piece

All-season floor mats, Dynamic squares

Floor mats have to undergo rigorous testing before they are deemed worthy of the star logo: durability, fade-resistant color and a neutral odor, even after three winters of use, are all specifications which must be met without compromise.

Genuine Accessories - Comfort



Coolbox - Black, polyester

The thermoelectric refrigerator box cools to up to 5°C, at a maximum temperature of 20°C with a capacity of 13 litres.



Ashtray - matt black, plastic

Thanks to its elegant and practical design, the ashtray can be used in the cup holder or door stowage compartment, depending on the model series.

[VEHICLE HIGHLIGHT](#)[ENGINE & TRANSMISSION](#)[DESIGN](#)[TECHNOLOGY](#)[SAFETY](#)[WARRANTY](#)[STANDARD EQUIPMENT](#)[GENUINE ACCESSORIES](#)**TECHNICAL DATA**[DIMENSION](#)[FINANCE](#)[MY SERVICE](#)

Technical Data

A 200

Total displacement/No./ arrangement of cylinders	1332 cc/L4
Rated output in kW (hp) @ rpm	120 (163) @ 5,500
Rated torque (Nm @ rpm)	270 @ 2000 - 3500
Transmission	7G DCT
Acceleration from 0 - 100 km/h (sec)	8.3 sec
Top speed approx (km/h)	230 km/h
Maximum gross weight (kg)	1940 kg

VEHICLE HIGHLIGHT

ENGINE & TRANSMISSION

DESIGN

TECHNOLOGY

SAFETY

WARRANTY

STANDARD EQUIPMENT

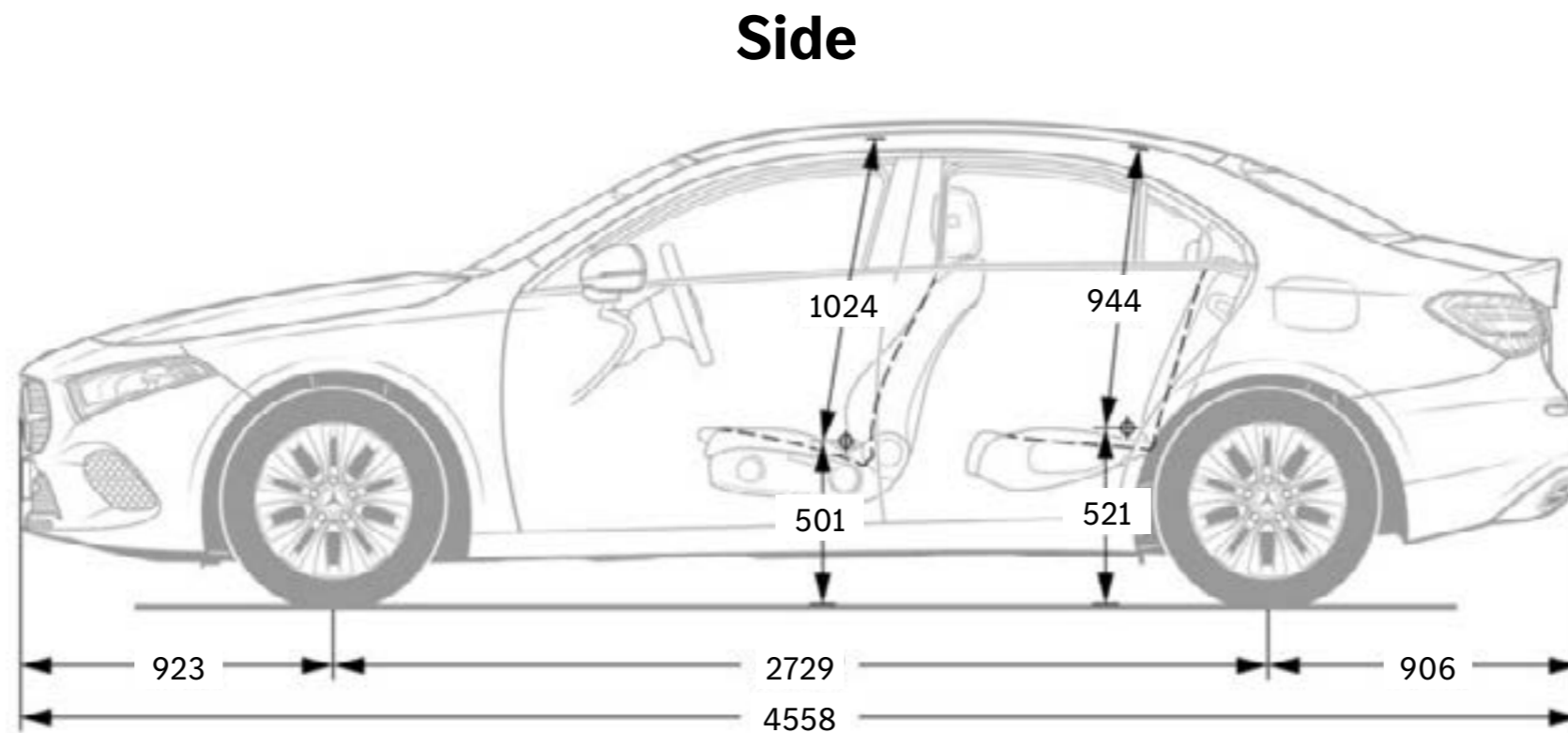
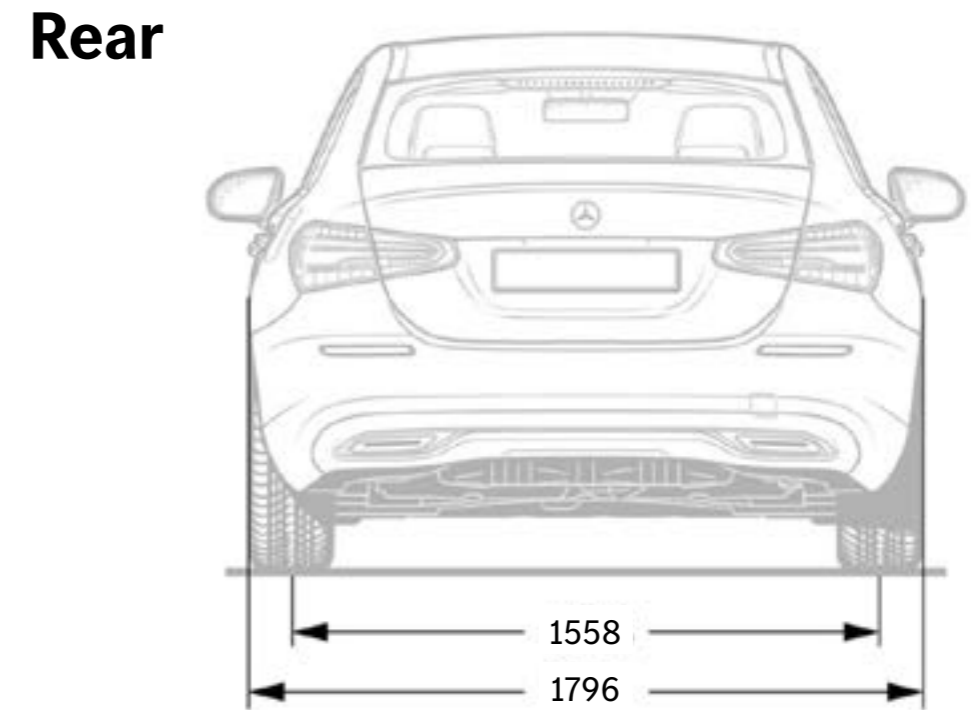
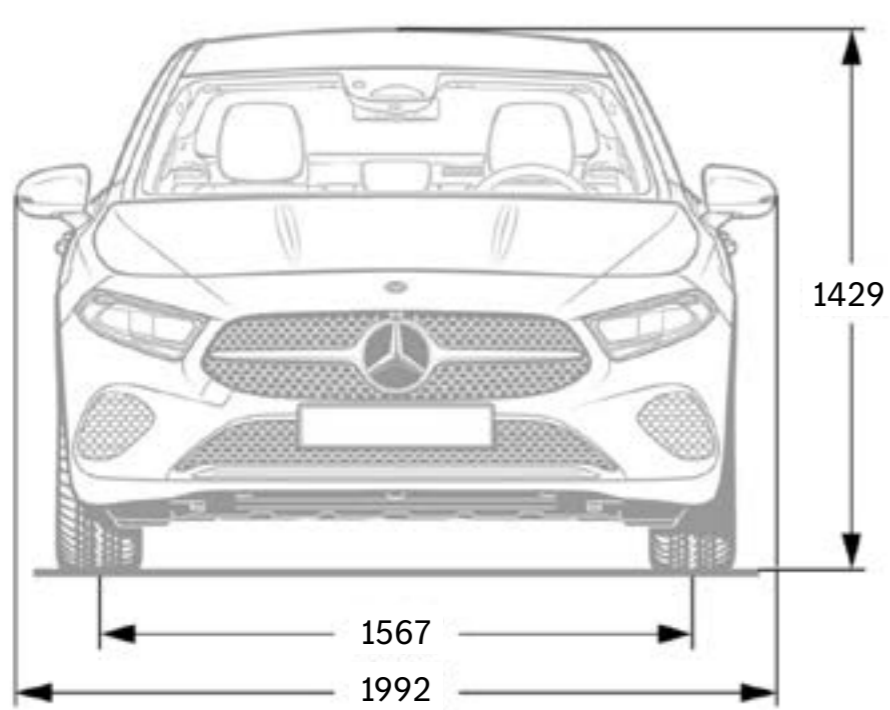
GENUINE ACCESSORIES

TECHNICAL DATA

DIMENSION

FINANCE

MY SERVICE



[VEHICLE HIGHLIGHT](#)[ENGINE & TRANSMISSION](#)[DESIGN](#)[TECHNOLOGY](#)[SAFETY](#)[WARRANTY](#)[STANDARD EQUIPMENT](#)[GENUINE ACCESSORIES](#)[TECHNICAL DATA](#)[DIMENSION](#)[FINANCE](#)[MY SERVICE](#)

Introducing Star Agility+ Confidence today, freedom tomorrow

You've decided on the vehicle of your choice, now allow your Mercedes-Benz experience to be seamless with STAR Agility+, an Ownership plan that can offer Assured Buy-Back Value for your Mercedes-Benz. Put yourself in control with STAR Agility+ today and free yourself from confinement tomorrow.

Determine your monthly repayments with STAR Agility+

TERM

Select your loan term, from 12-60 months.

MILEAGE

Select your annual mileage allowance, based on the estimated mileages you expect to drive per year.

ASSUREDBUY-BACK VALUE

The term and mileage selected determines the Assured Buy-Back Value. Your monthly repayment amount will vary based on the calculated Assured Buy- Back Value.

INCLUSIVE MAINTENANCE & EXTENDED WARRANTY

Enjoy your star without any worries

As your individual needs change, our flexible STAR Agility+ end of contract options adapt to suit your needs. At the end of your contract, STAR Agility+ allows you to upgrade your model to the latest advanced technology, keep your current vehicle with flexibility to refinance or payout the BuyBack value and return it as per the Fair Wear & Tear conditions.

***Star Agility+** Emi starting from **1,99,999/-**

Includes Service Cost & Extended Warranty | Assured Buyback at 61% | Corporate Benefits | ROI with 4.99%



[VEHICLE HIGHLIGHT](#)[ENGINE & TRANSMISSION](#)[DESIGN](#)[TECHNOLOGY](#)[SAFETY](#)[WARRANTY](#)[STANDARD EQUIPMENT](#)[GENUINE ACCESSORIES](#)[TECHNICAL DATA](#)[DIMENSION](#)[FINANCE](#)[MY SERVICE](#)

My Mercedes. My Service

Advance Assurance Program

Extending your warranty coverage

With Advance Assurance Program, experience complete peace of mind. While this Extended Warranty Program kicks in the moment your standard 3 years warranty comes to an end, it can be extended further up to 6 years at a nominal price. Also, it comes with a bouquet of privileges for a worry-free time with your Star.

STAR EASE

Delivering the best-in-class value

Servicing your Star does not get any better than this. With the STAR Ease Maintenance Packages, pay a defined cost of maintenance based on the model, contract period and mileage and say goodbye to spending on service every time. Plus, enjoy exclusive features like priority handling, shorter waiting time and quicker processes.

[VEHICLE HIGHLIGHT](#)[ENGINE & TRANSMISSION](#)[DESIGN](#)[TECHNOLOGY](#)[SAFETY](#)[WARRANTY](#)[STANDARD EQUIPMENT](#)[GENUINE ACCESSORIES](#)[TECHNICAL DATA](#)[DIMENSION](#)[FINANCE](#)[MY SERVICE](#)

My Mercedes. My Service

MOBILO

Providing you 24x7 mobility support

Your vehicle comes with Mobilo which provides round-the-clock on-road assistance service. Mobilo comes as a standard for 3 years and can be extended further up to 8 years at a nominal cost. This service offers privileges like vehicle towing facility, replacement vehicle, hotel accommodation, just to name a few.

Digital Service Drive

Ensuring convenience and transparency of service.

Servicing your Star is the last thing you will ever have to worry about. We provide transparent, convenient and hassle-free service. Our customer-friendly service features work around your busy schedule so that you have one less thing to focus upon.



[VEHICLE HIGHLIGHT](#)[ENGINE & TRANSMISSION](#)[DESIGN](#)[TECHNOLOGY](#)[SAFETY](#)[WARRANTY](#)[STANDARD EQUIPMENT](#)[GENUINE ACCESSORIES](#)[TECHNICAL DATA](#)[DIMENSION](#)[FINANCE](#)[MY SERVICE](#)

My Mercedes. My Service

Mercedes-Benz Genuine Parts

Now with 2 years* of warranty

Mercedes-Benz Genuine Parts are crafted to the state-of-the-art standards of Mercedes-Benz, protecting your vehicle's performance while maintaining the style, comfort and safety, for the years to come. Also, they come with a warranty of up to 2 years, ensuring you a peaceful ownership experience with your Star.

Premier Express*

Because we value your time as much as you do.

Life gets busy and so we have designed Premier Express, our vehicle care service to help you get in and out quickly. While the visit will be brief, the service offered by our technicians will be comprehensive and complete. All to ensure your Mercedes-Benz is running for miles to come.



[VEHICLE HIGHLIGHT](#)[ENGINE & TRANSMISSION](#)[DESIGN](#)[TECHNOLOGY](#)[SAFETY](#)[WARRANTY](#)[STANDARD EQUIPMENT](#)[GENUINE ACCESSORIES](#)[TECHNICAL DATA](#)[DIMENSION](#)[FINANCE](#)[MY SERVICE](#)

My Mercedes. My Service

Mercedes-Benz Approved Tyres and Rims

Ensuring every ride is a safe and joyful one

Maximise the safety and comfort of your Star with Mercedes-Benz approved tyres and rims. While the Mercedes-Benz approved tyres are designed to optimally match your car's performance, the Mercedes-Benz approved rims are designed to lend an exceptional style to the exterior of your Star and are also engineered for optimal performance.

Mercedes-Benz Genuine Chemical Products

Because your Star deserves nothing but the original

Mercedes-Benz Genuine Chemical Products are specially tested for compatibility with the materials in our cars and meet the high quality standards. Also, our products have been approved under Mercedes-Benz Group AG's strict, self-imposed environmental norms. Now with Mercedes-Benz Genuine Chemical Products, experience a whole new world of superior products that support throughout the car's life cycle.





Mercedes-Benz India Private Limited: E-3, MIDC Chakan - Phase III, Chakan Industrial Area, Kuruli & Nighoje, Tal: Khed, Pune - 410 501 (India) Toll free No.: 0008000501888. e-mail: cs.ind@cac.mercedes-benz.com, website: www.mercedes-benz.co.in Please note: This brochure is intended for general information, description and illustration of the Product including optional functions and equipment and may not be specific to a Product since specification of a product may change from time to time. Optional features, functions and equipment etc. may not be present in the Standard or Variant Product or Special Edition Product. Further, Standard specifications of a product may also vary from time to time. Colours may differ from those shown in pictures in the brochure. Mercedes-Benz India reserves the right to make changes without prior notice, in design, colours, materials, components, equipment, specifications, features, functions, make and models etc. The information given in this brochure shall be regarded as accurate at the time of launch and may vary thereafter due to any developments or any other reason. Interested customers should reach out to the Authorised Franchise Partner for further information on the exact specifications, features of the product.

Images shown are for representation purposes only. Some of the vehicles in the Brochure are left hand drive wheel. However, Mercedes-Benz India only manufactures and sells vehicles as per the applicable motor vehicle regulations in India. All vehicles sold by Mercedes-Benz Authorized Franchise Partners shall be with right hand drive wheels only. All title, ownership rights and intellectual property rights in and relating to this brochure/magazine or publication material or any copies thereof including but not limited to copyright, logos, names, trademarks, service marks, design, text, images, links, concepts and themes are owned by Mercedes-Benz Group AG and/or its subsidiaries collectively or used under authorised license by the Mercedes-Benz Group AG. Any reproduction, transmission, publication, performance, broadcast, alteration, license, creation of derivative works or other use in whole or in part in any manner without the prior written consent of Mercedes-Benz India Pvt. Ltd is strictly prohibited. Please note that certain services are offered free of cost for a period of three (03) years and may be chargeable at the expiry of three (03) years from the date of activation of such services. If you wish to continue using those services, you may renew the same through Mercedes Me Store (as and when it is available). Please get in touch with your preferred Franchise Partner for more details. Mercedes-Benz cars: The A-Class Limousine meets Bharat Stage VI equivalent emission norms.
CIN - U34102PN1994PTC083160