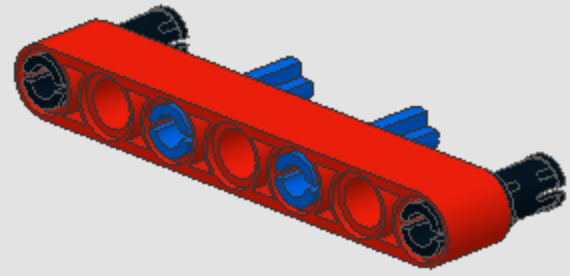
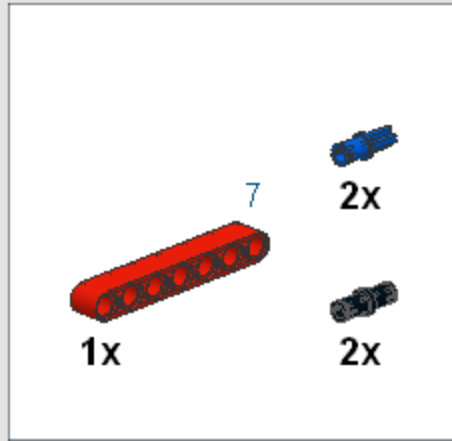




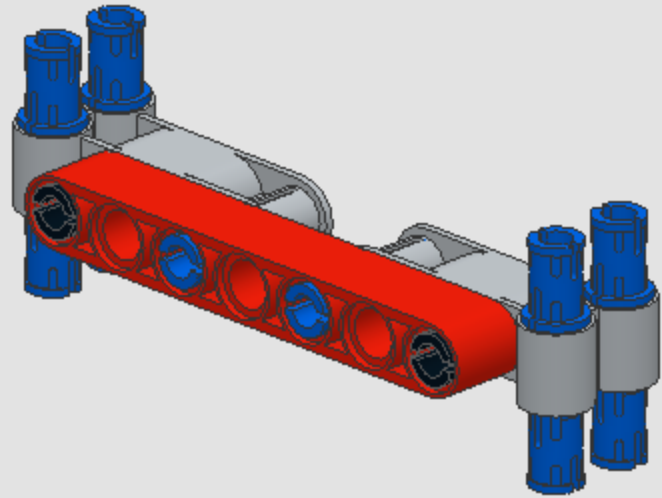
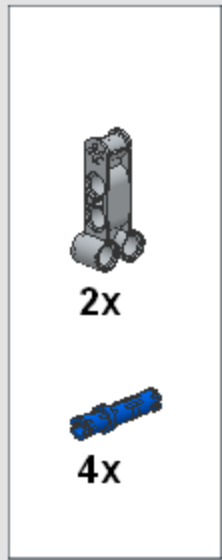
LEGO® Technic Tractor Unit

Created by Jaap Joris Vens
Free to copy and share

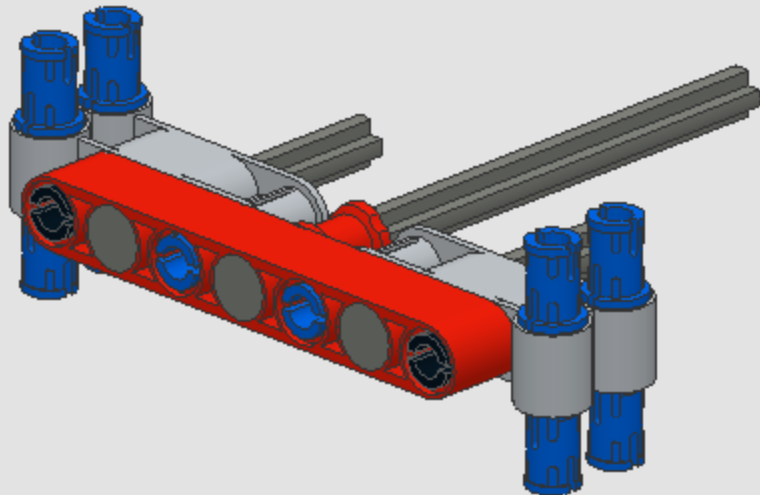
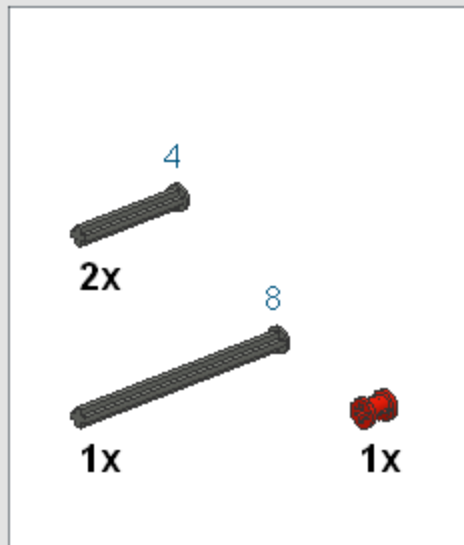
1



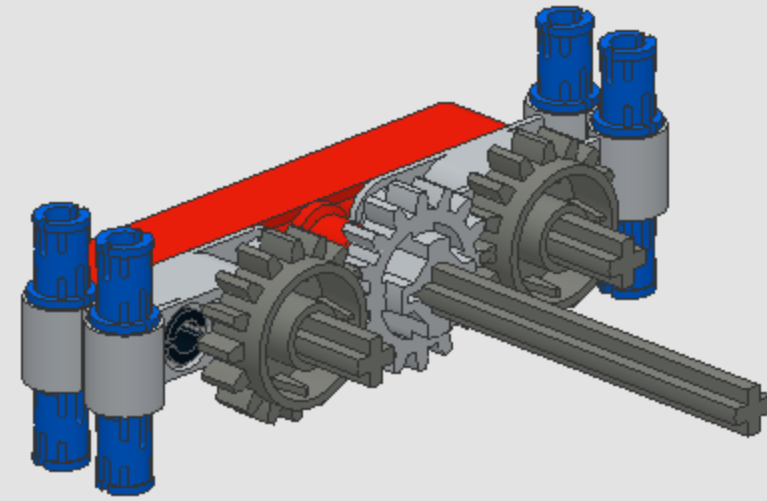
2



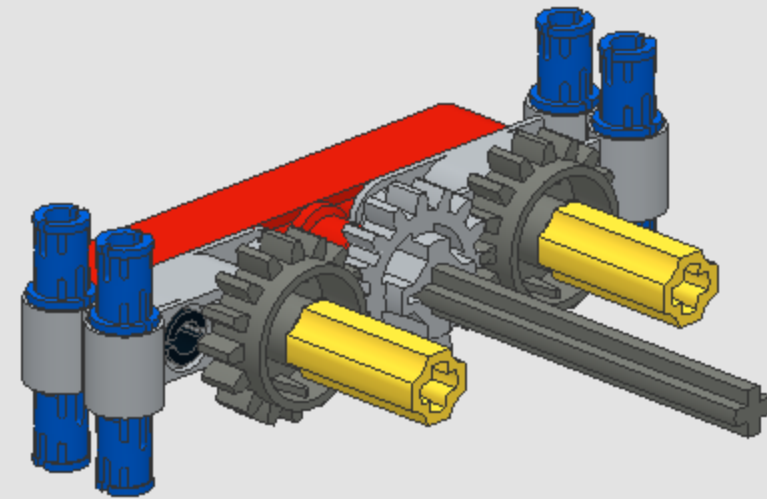
3



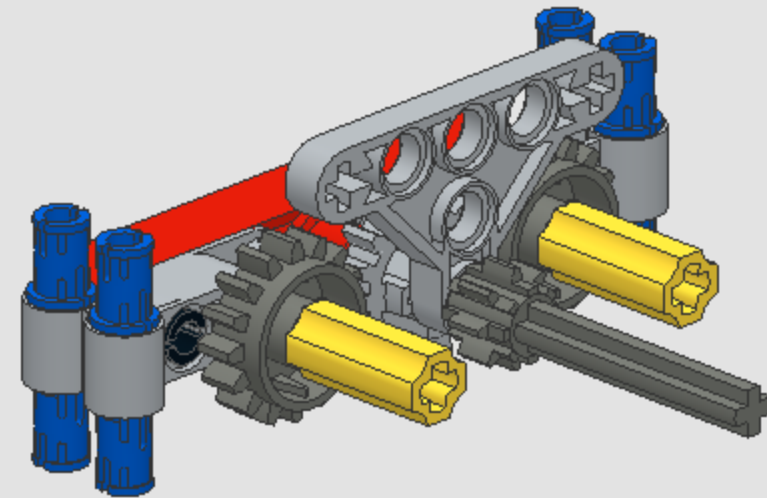
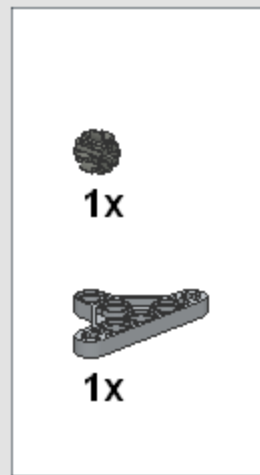
4



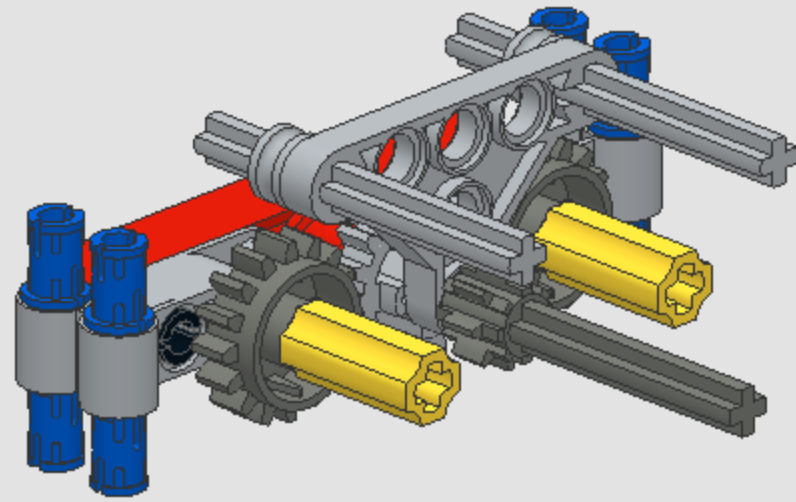
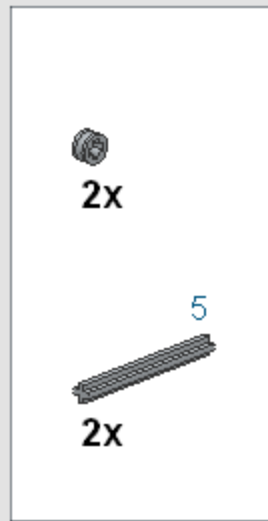
5



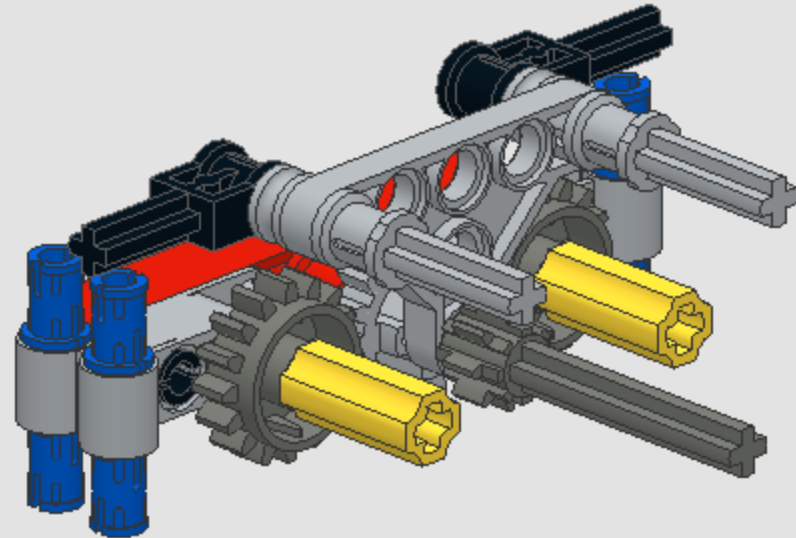
6



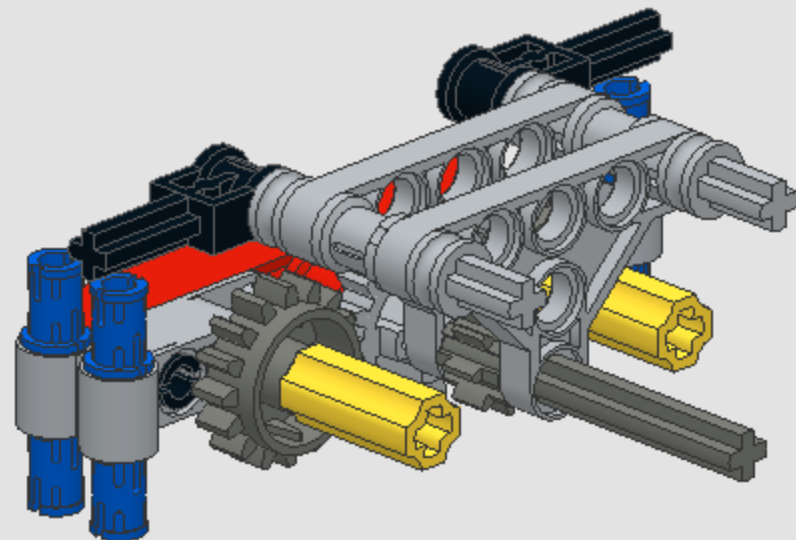
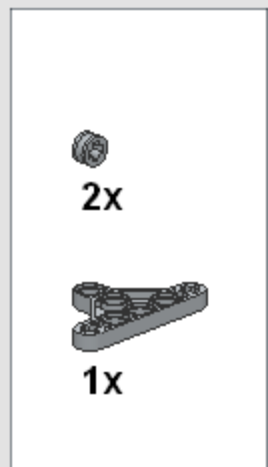
7



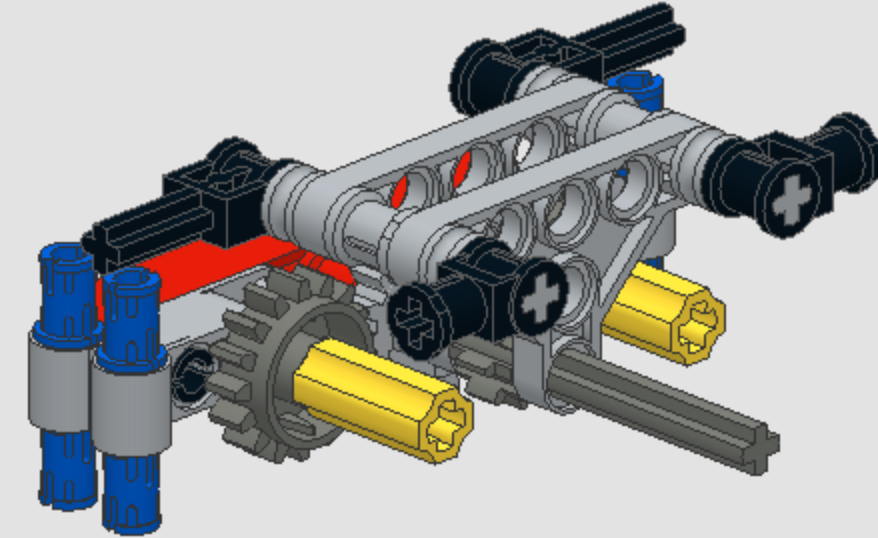
8



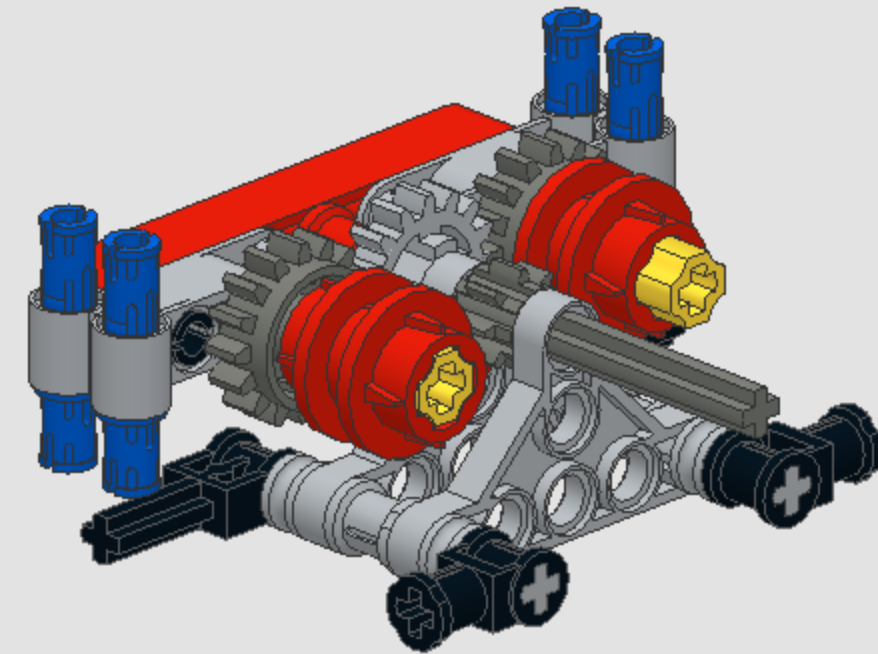
9



10

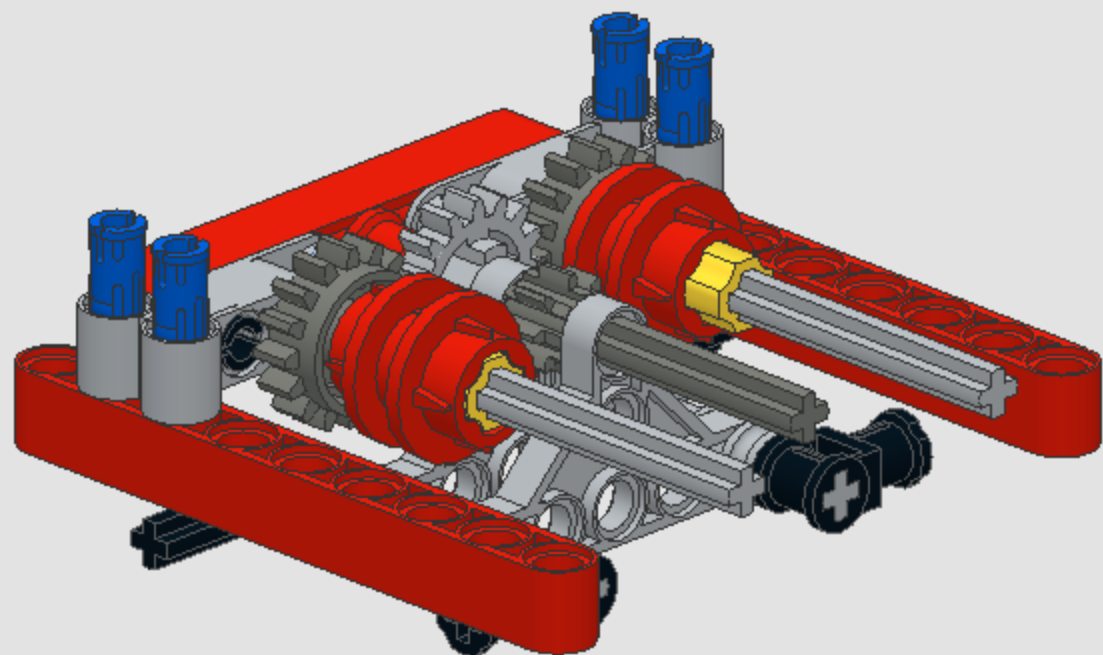
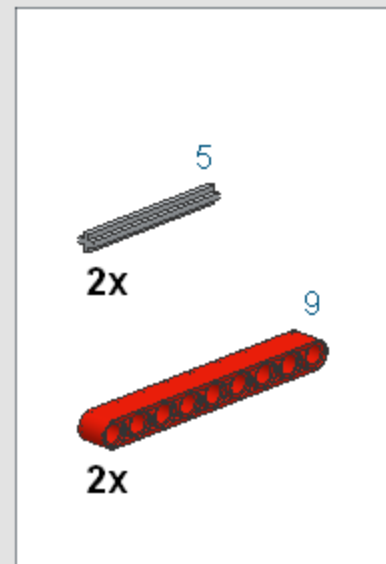


11

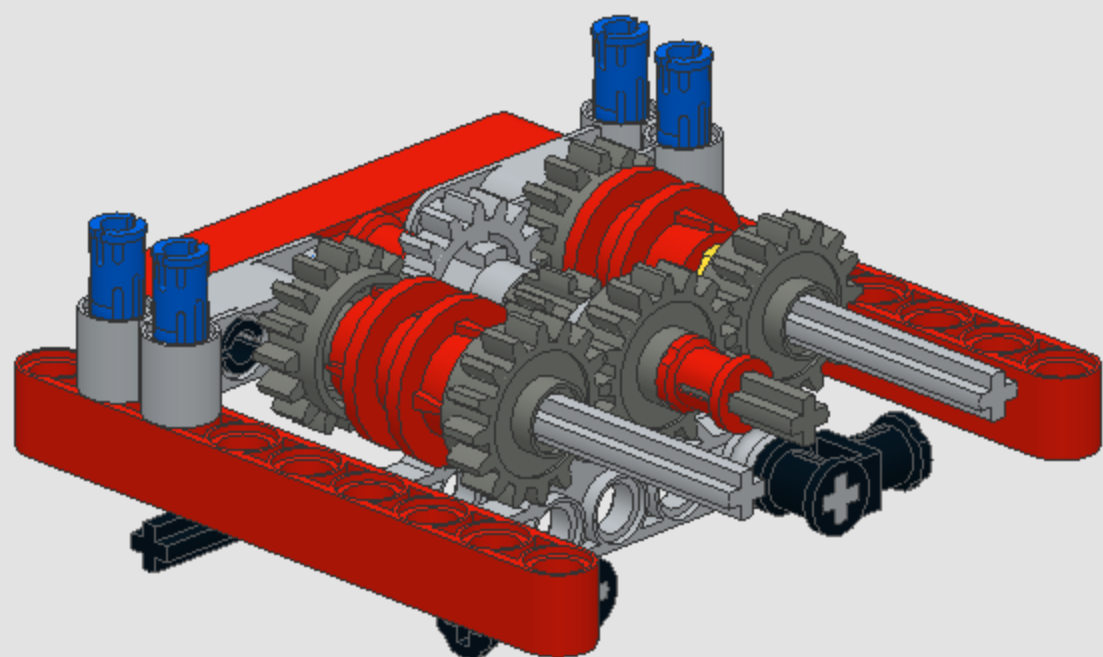


The transmission driving rings (the red thingies) should be able to slide smoothly back and forth over the axle joiners (the yellow thingies). If you experience clicks or friction, try turning the axle joiner 90 degrees before placing the driving ring.

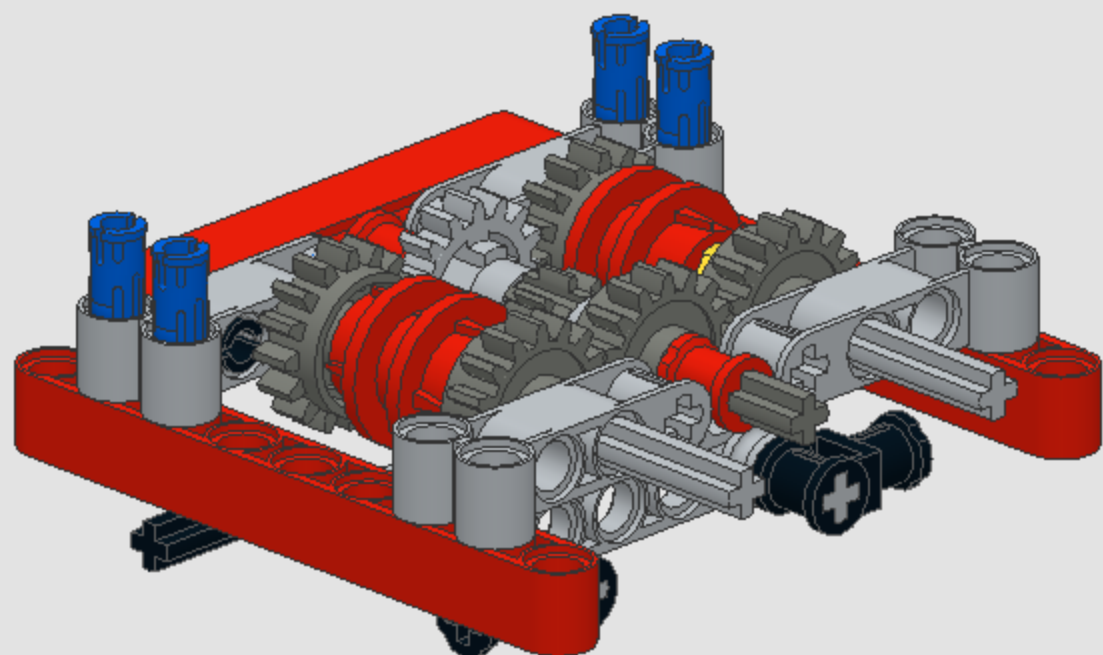
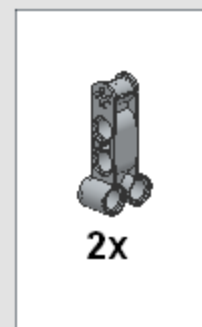
12



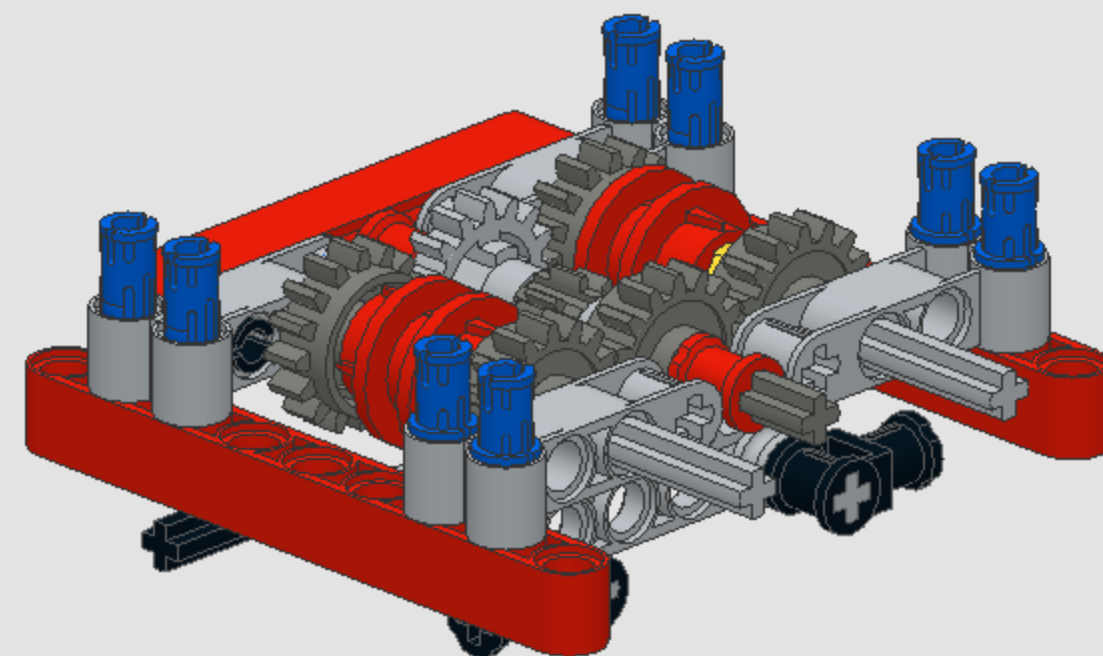
13



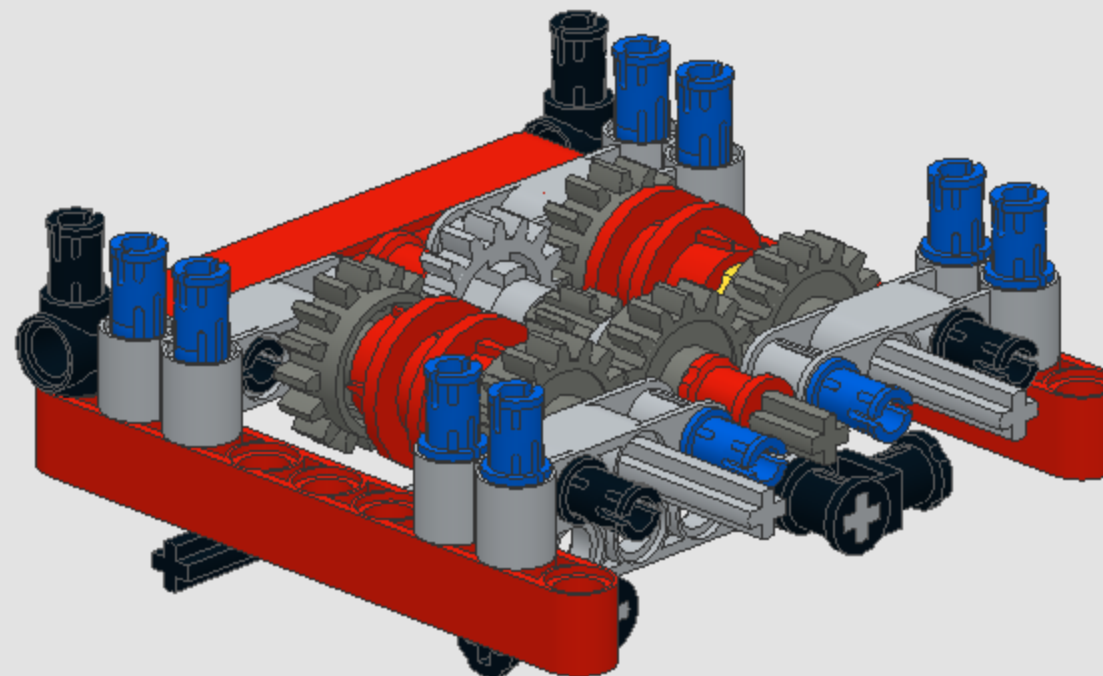
14



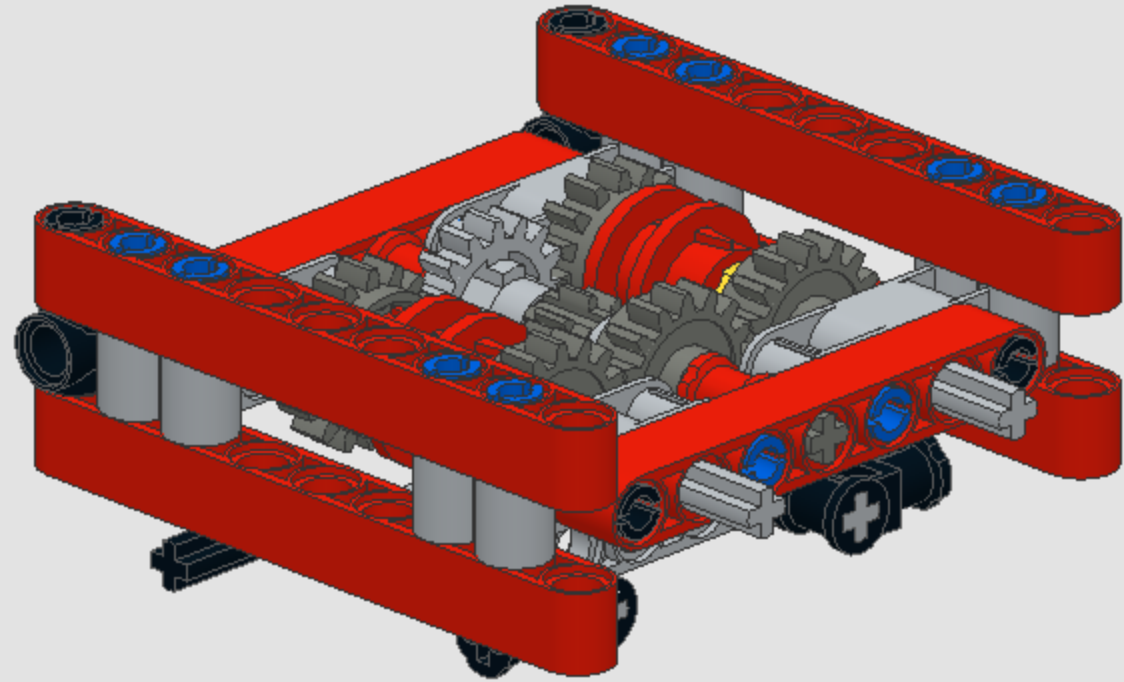
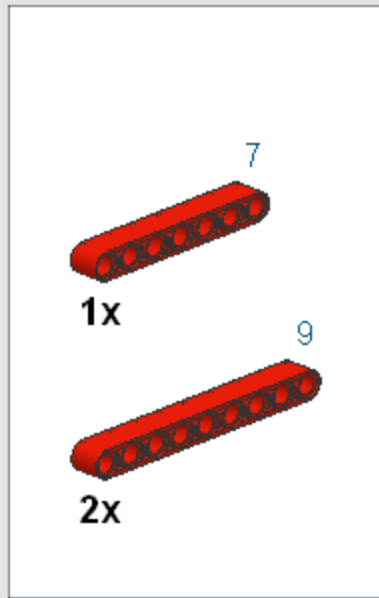
15



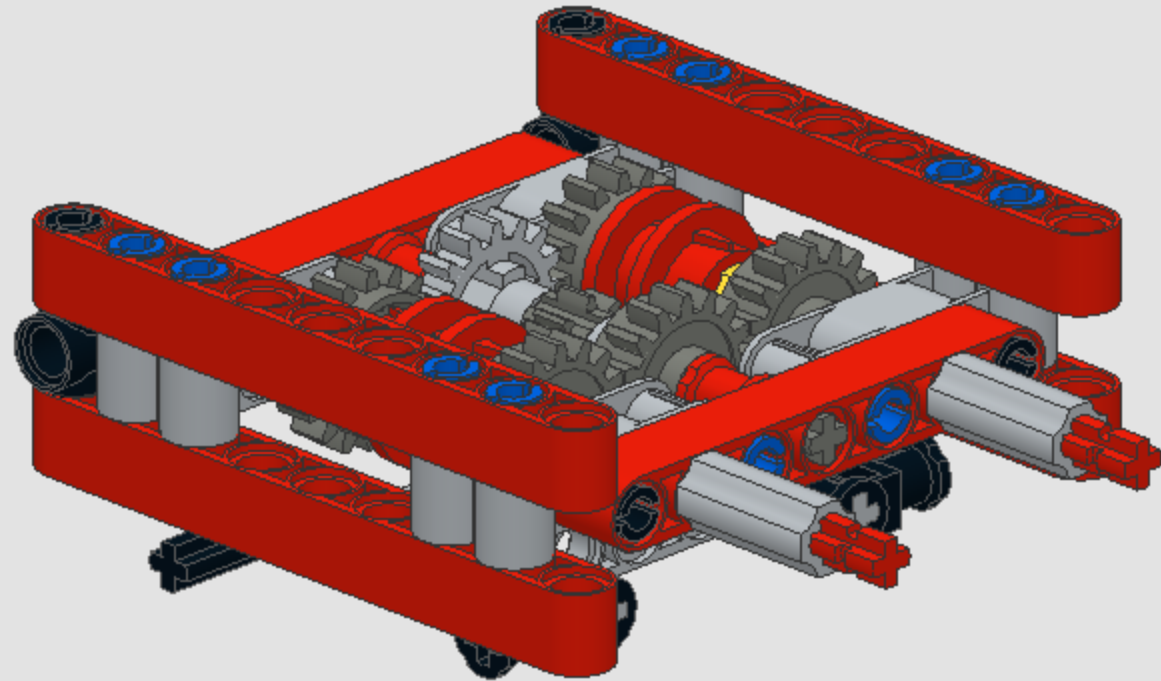
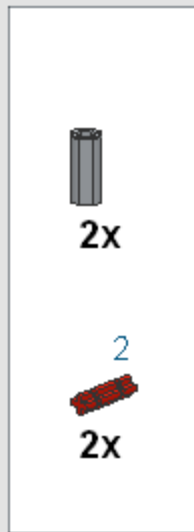
16



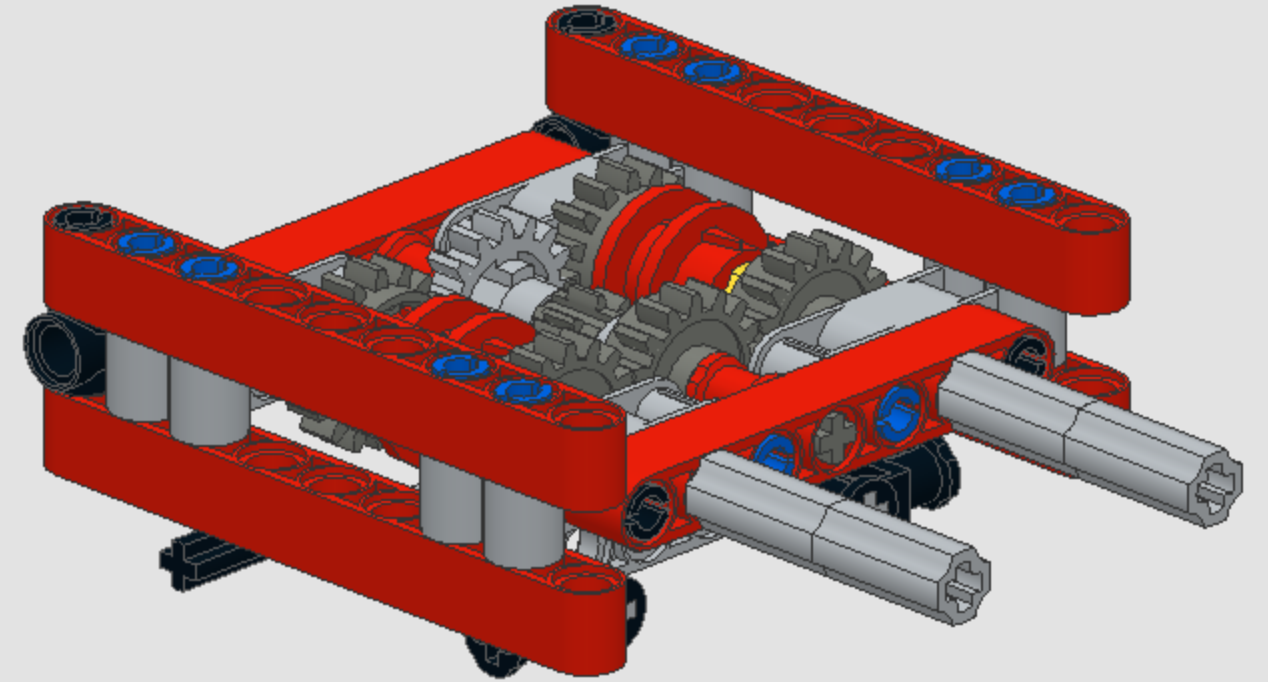
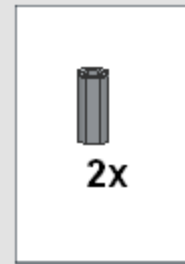
17



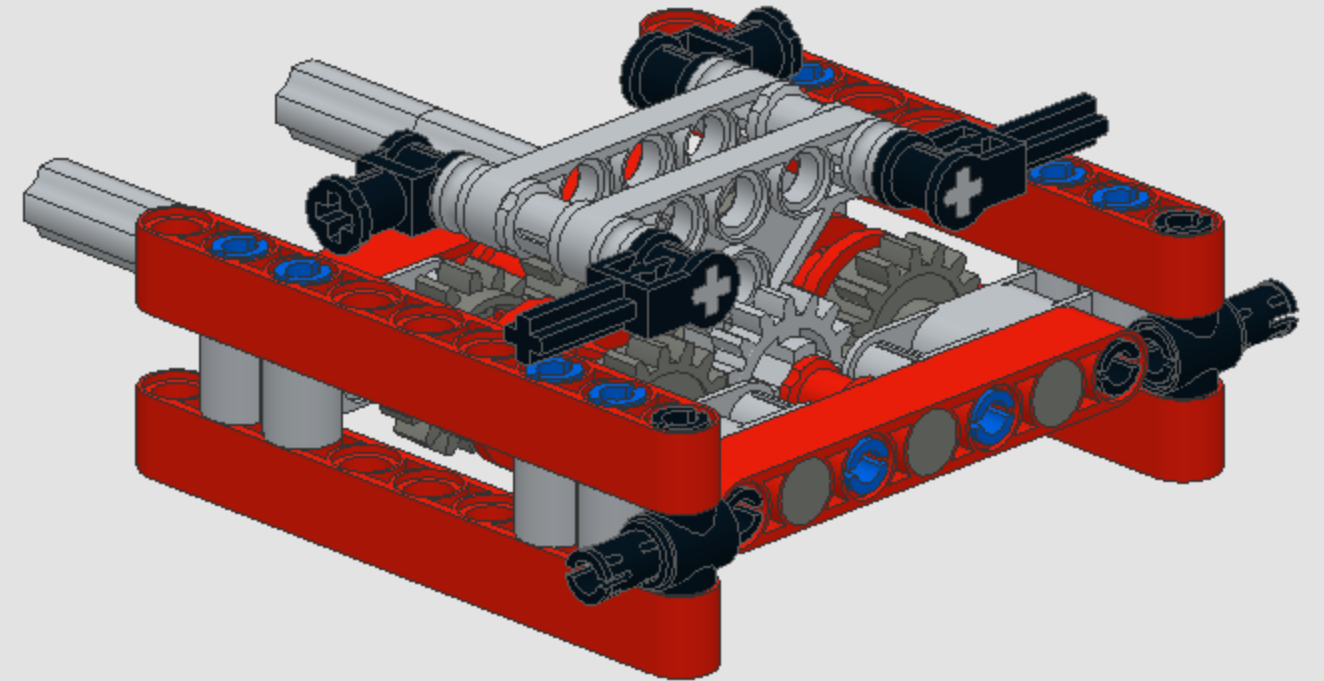
18



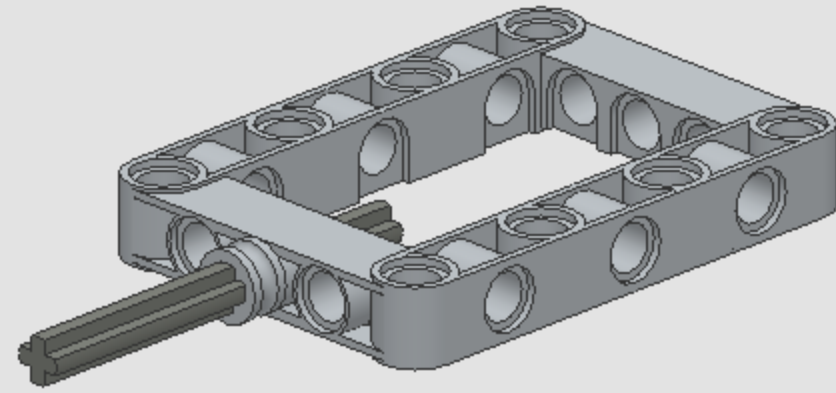
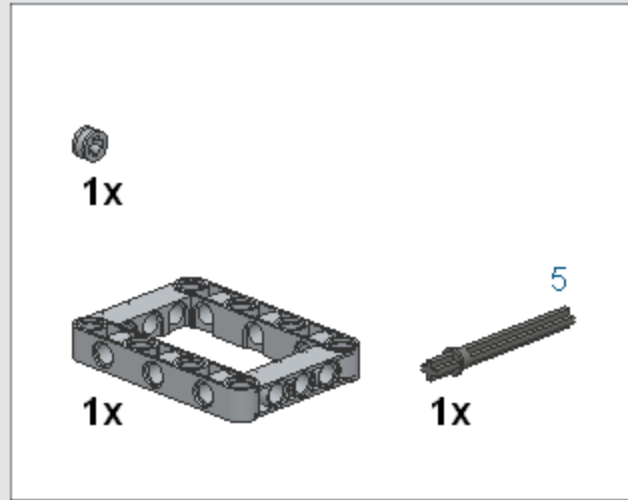
19



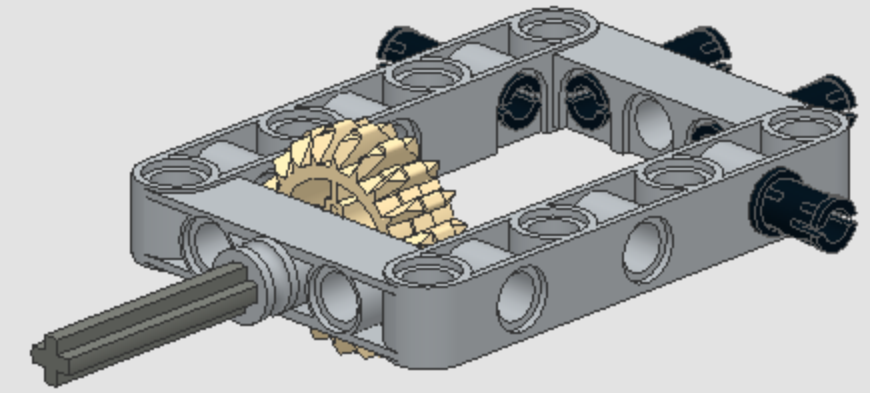
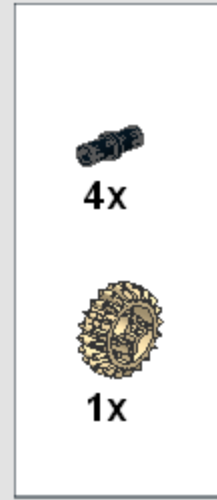
20



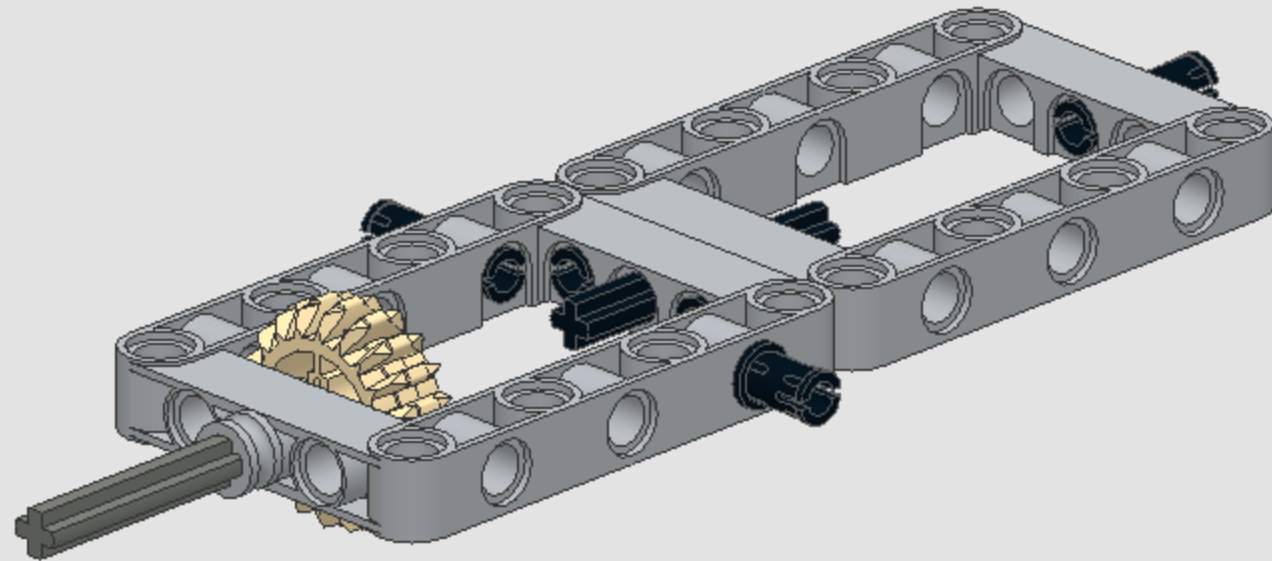
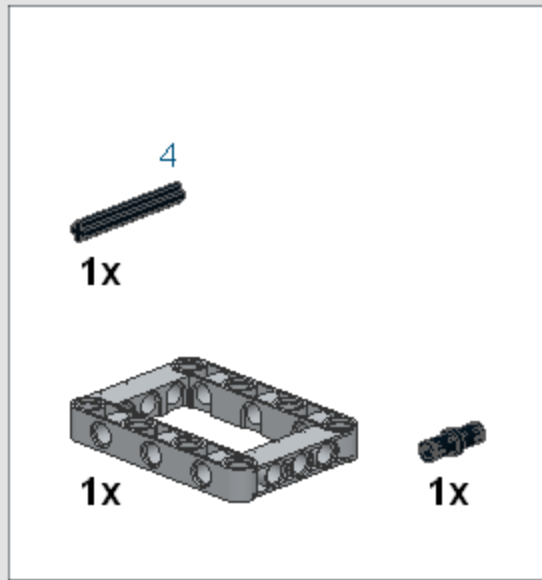
1



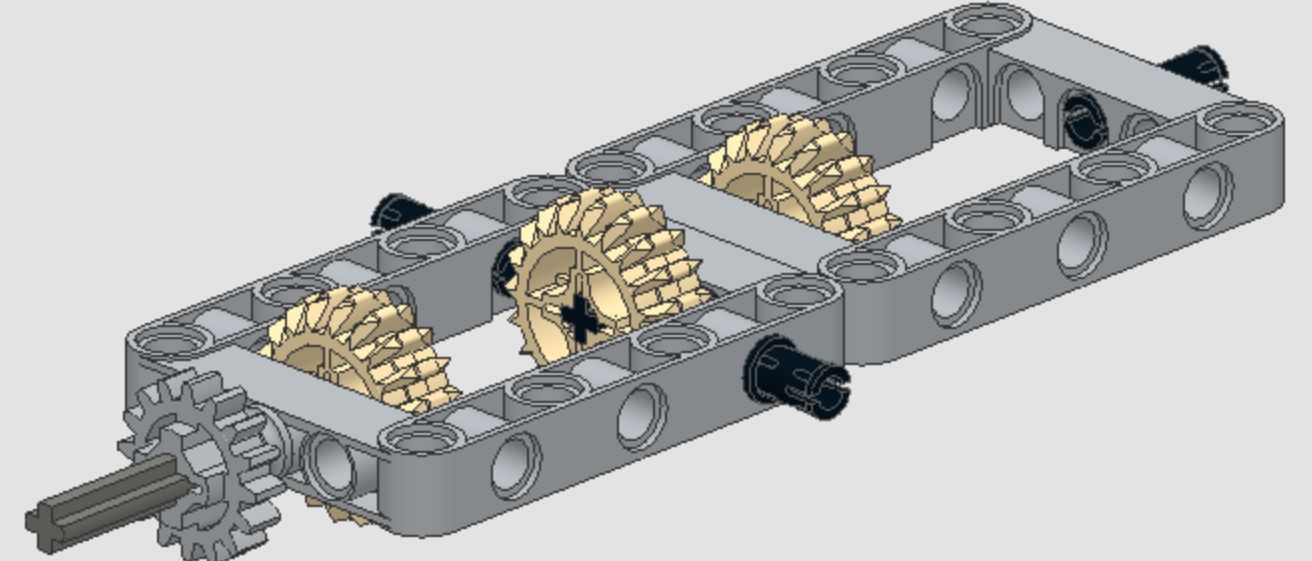
2



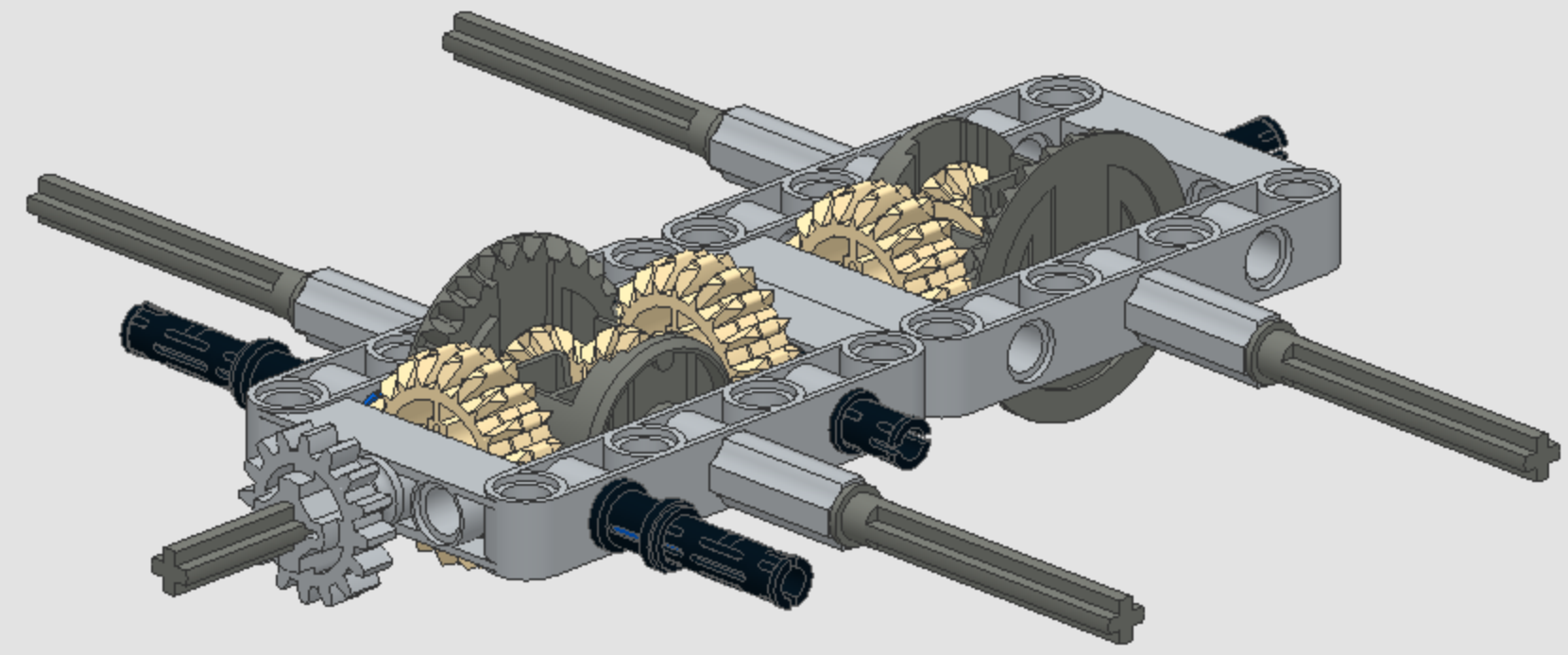
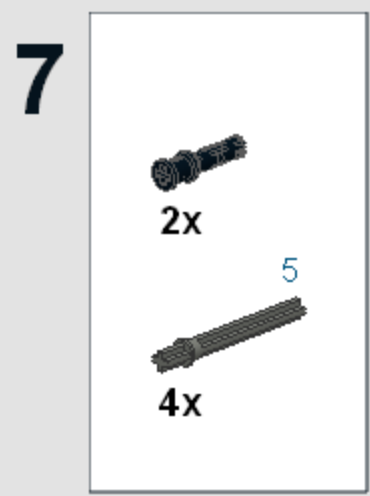
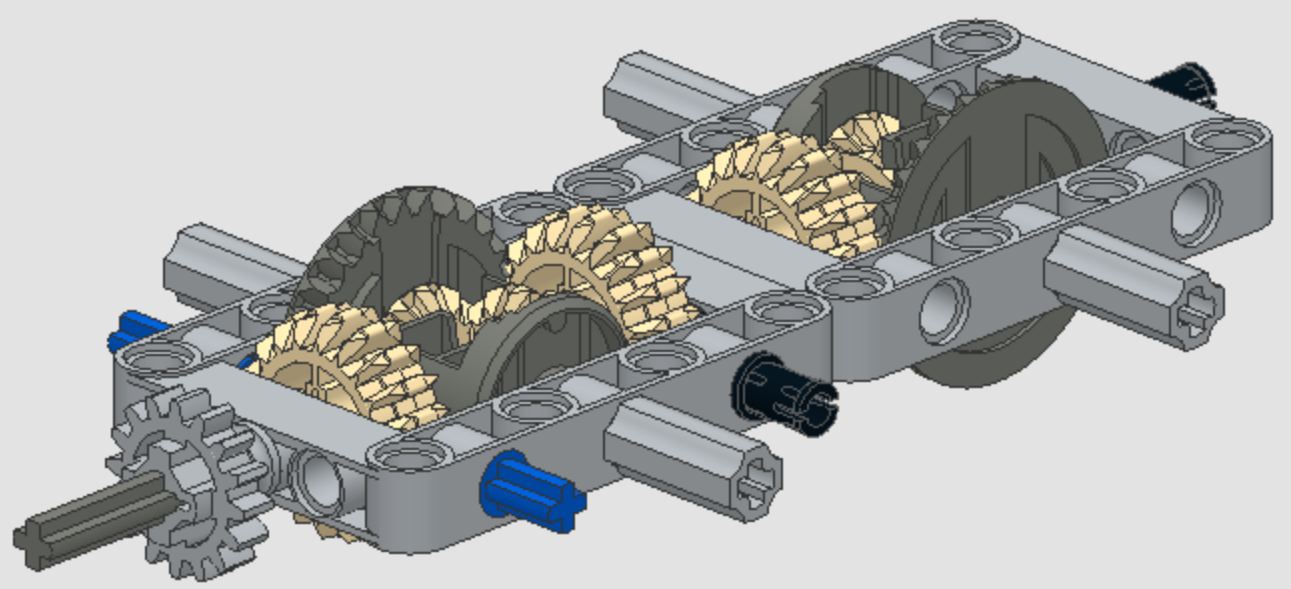
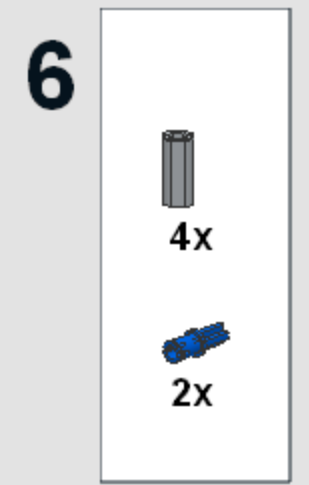
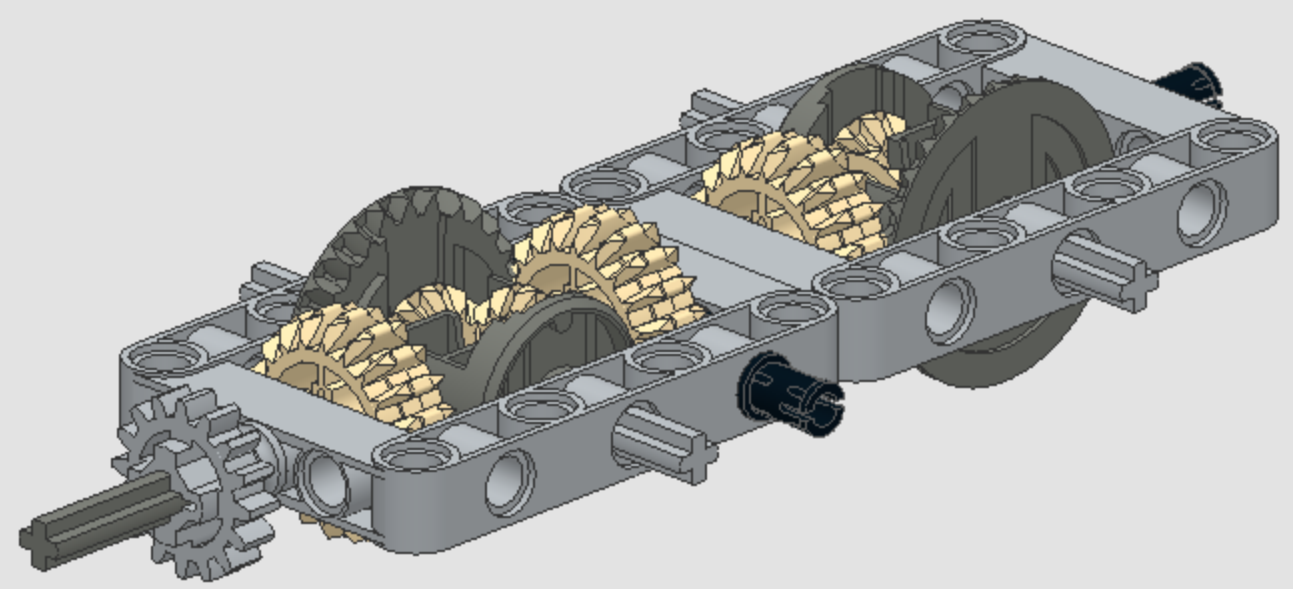
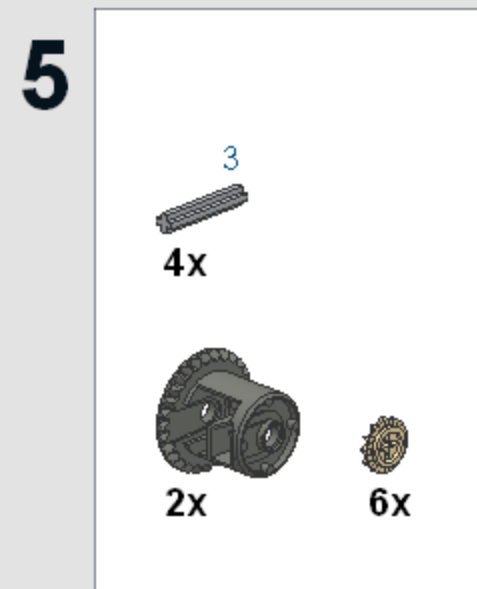
3

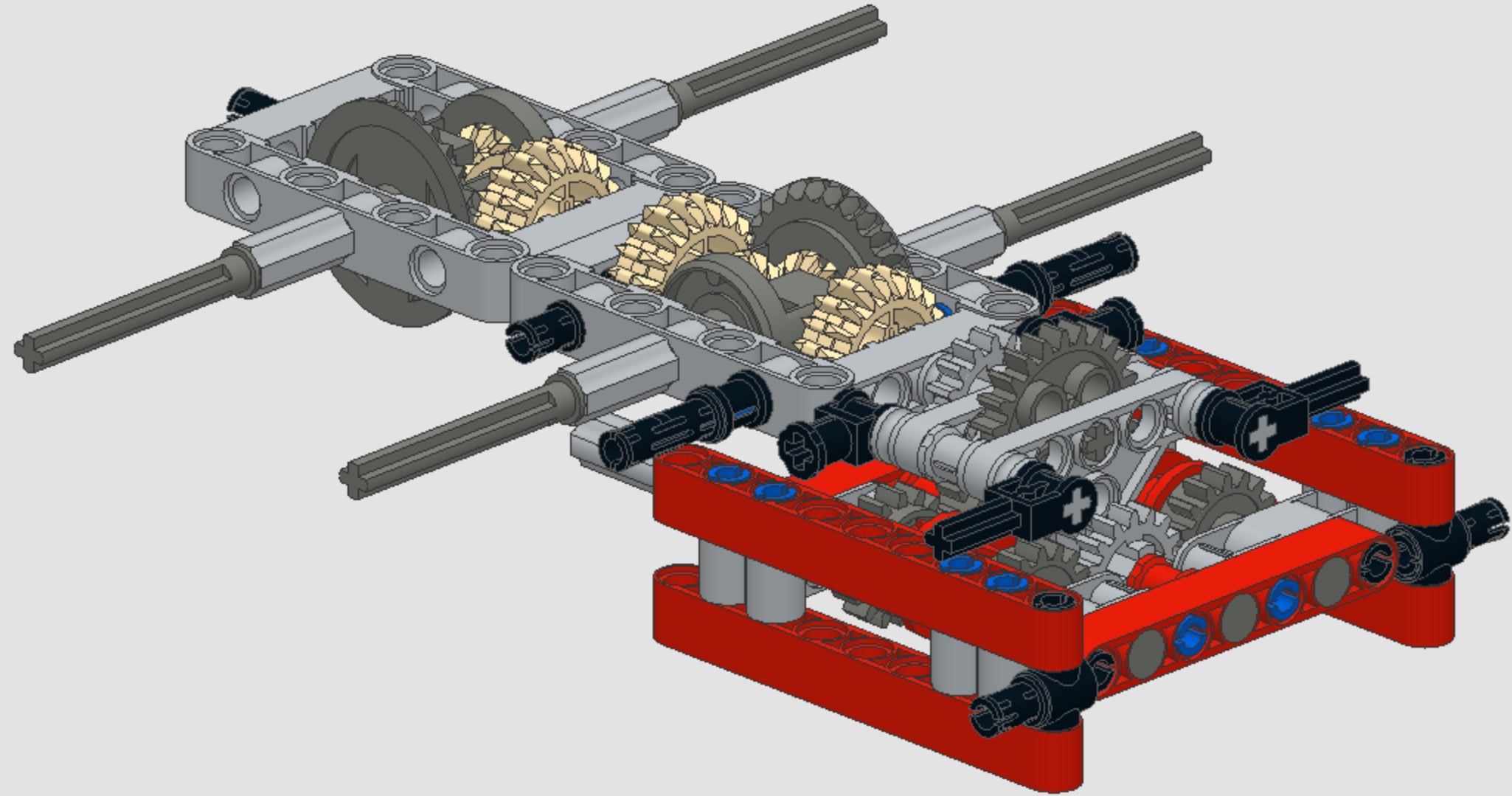


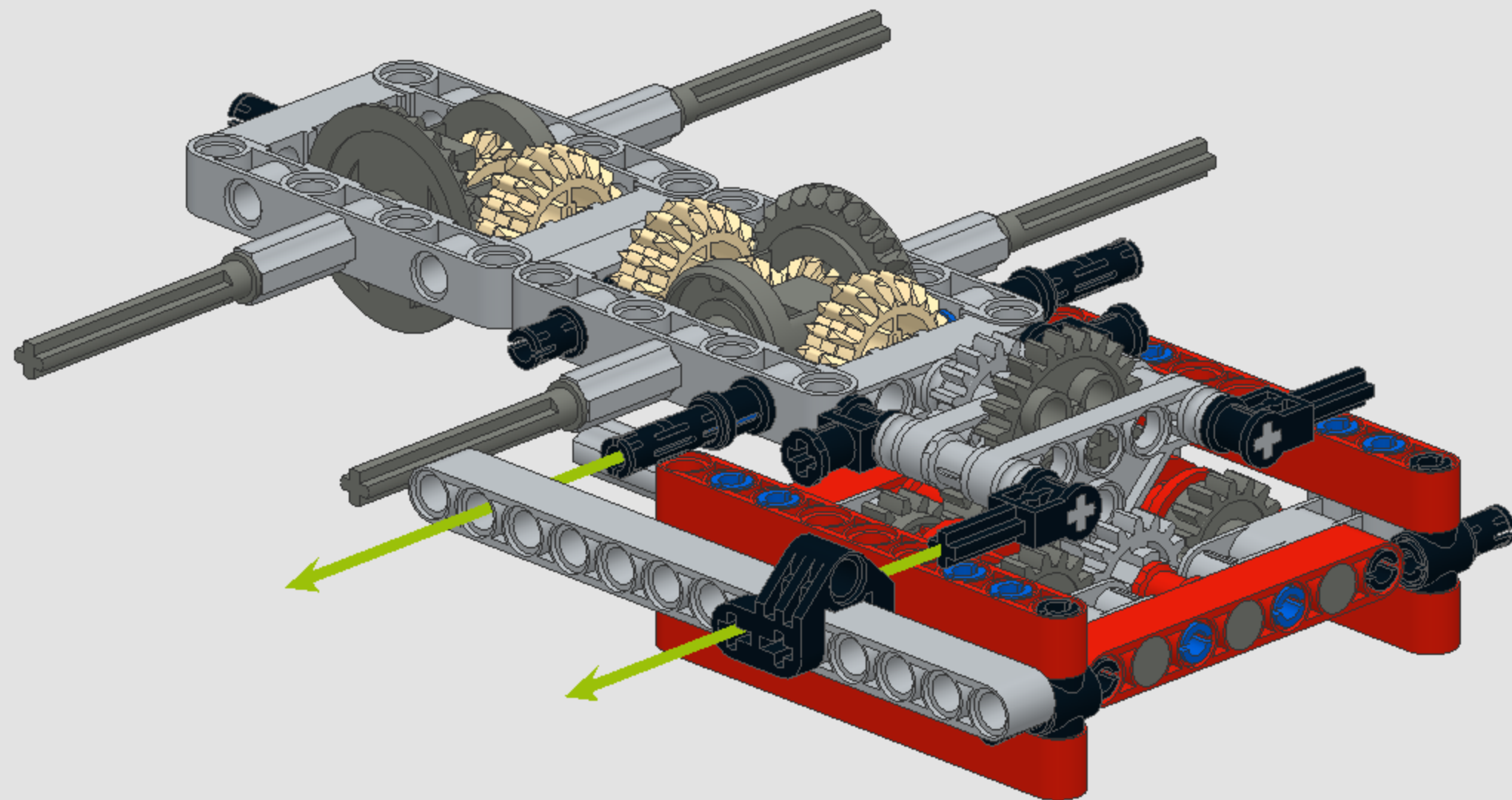
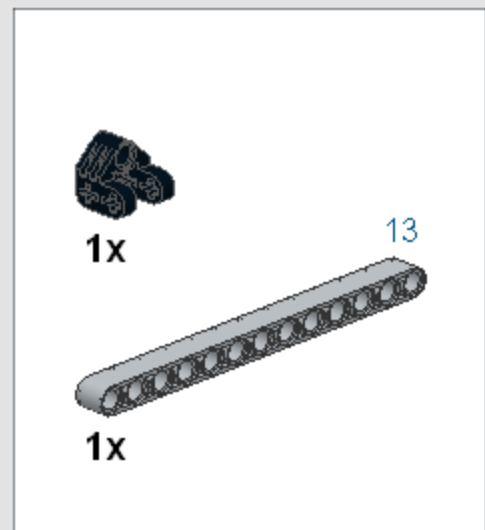
4

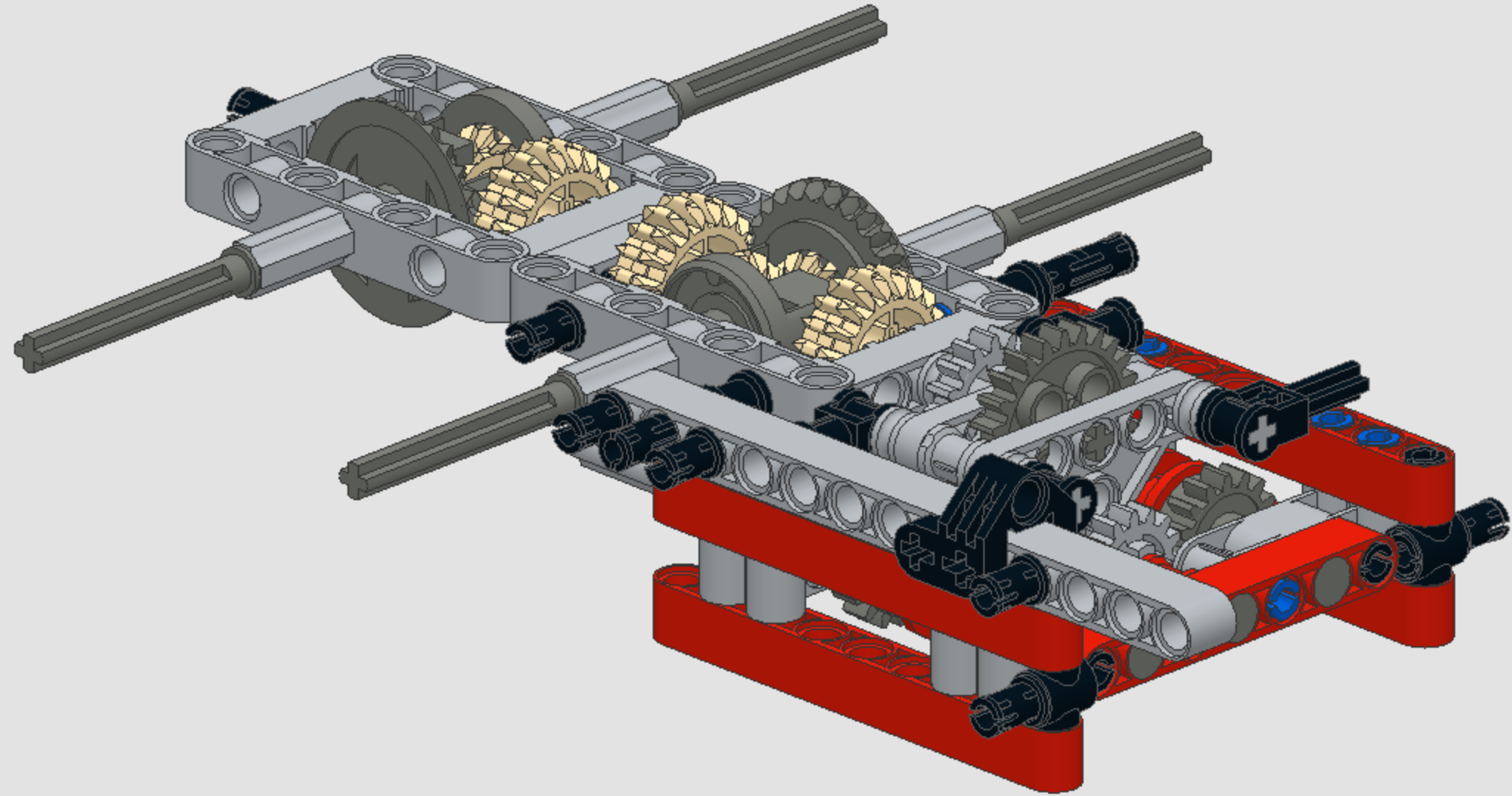


5

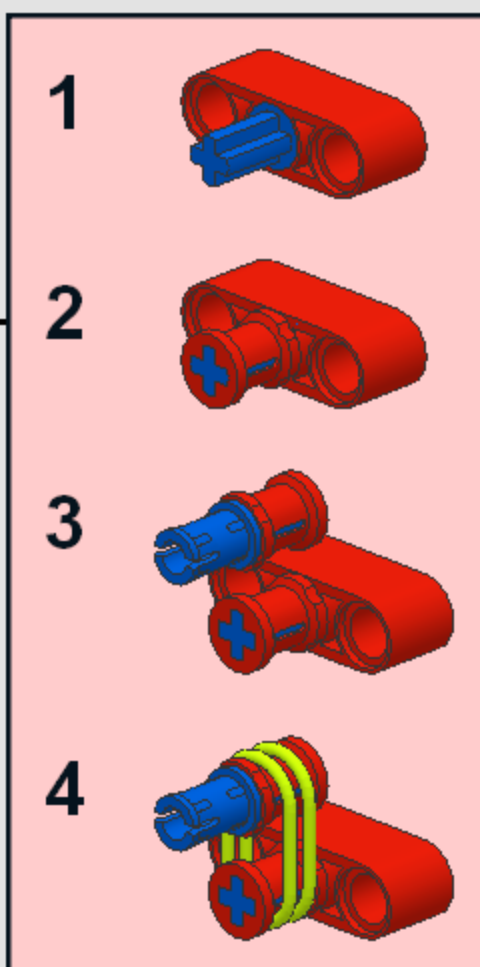
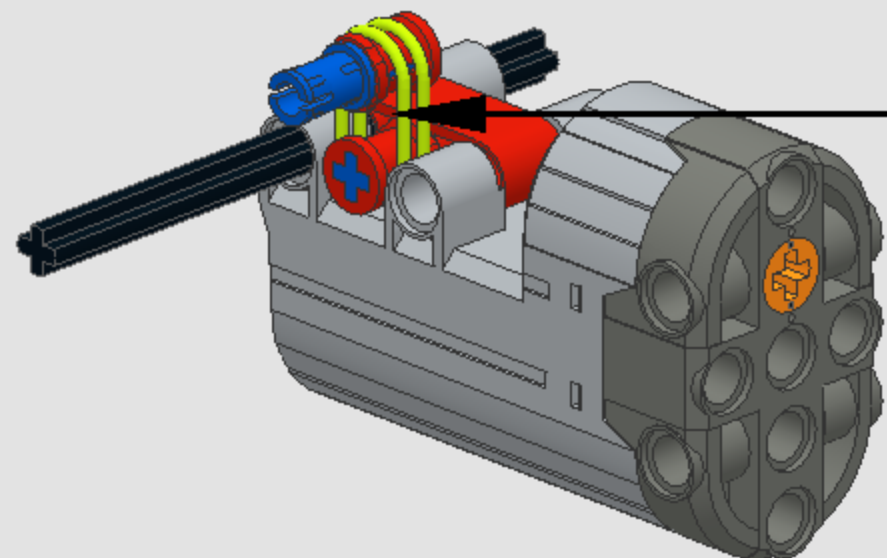
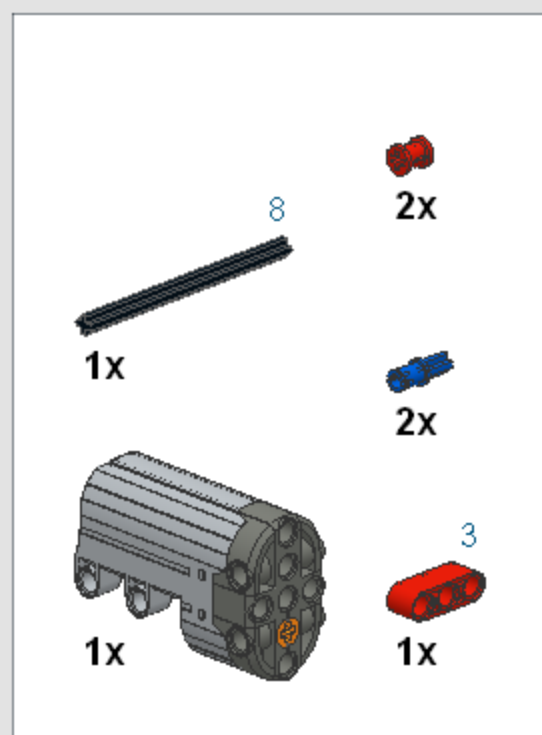




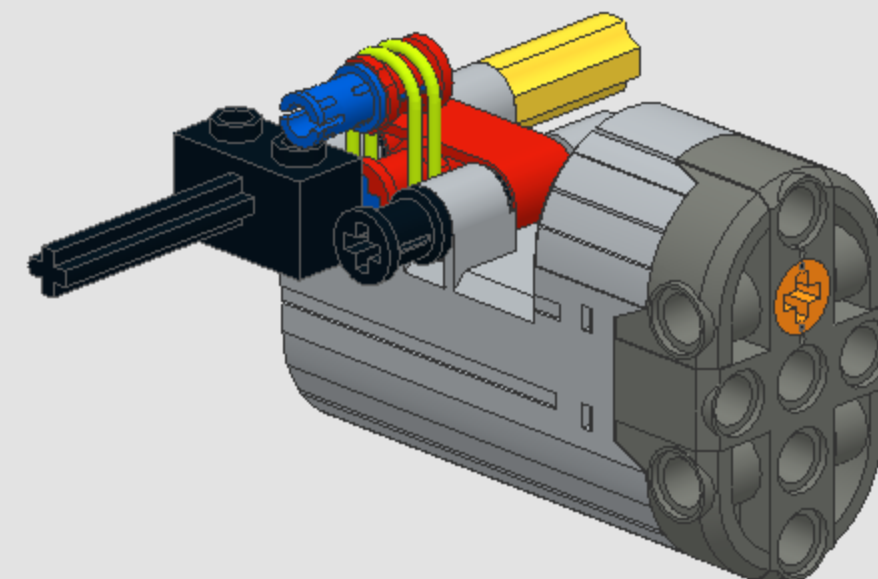




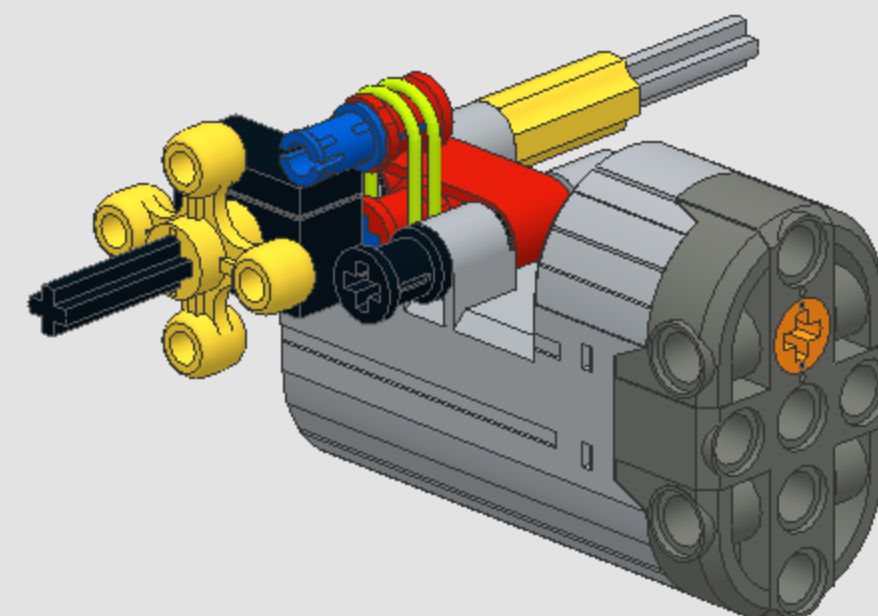
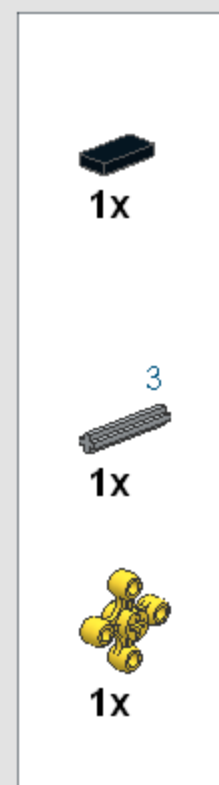
1



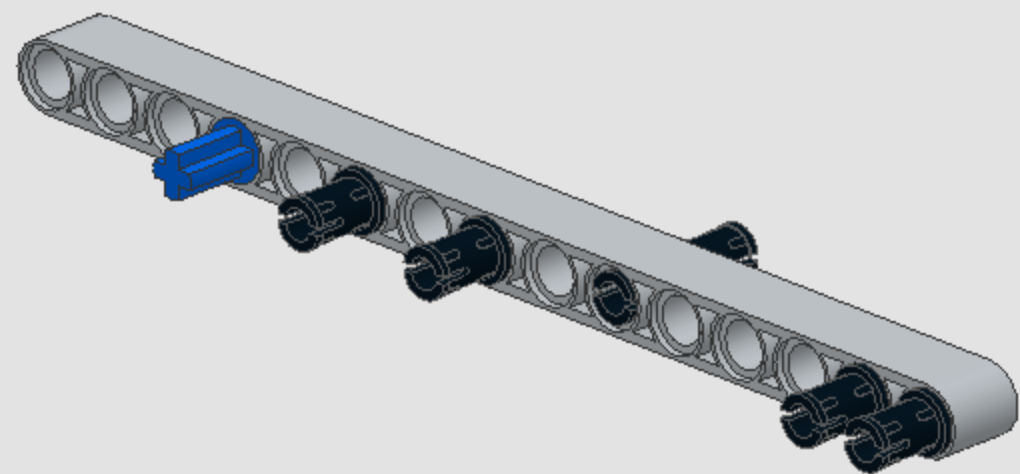
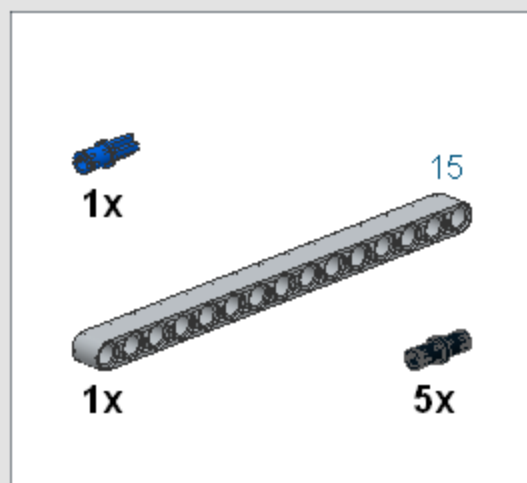
2



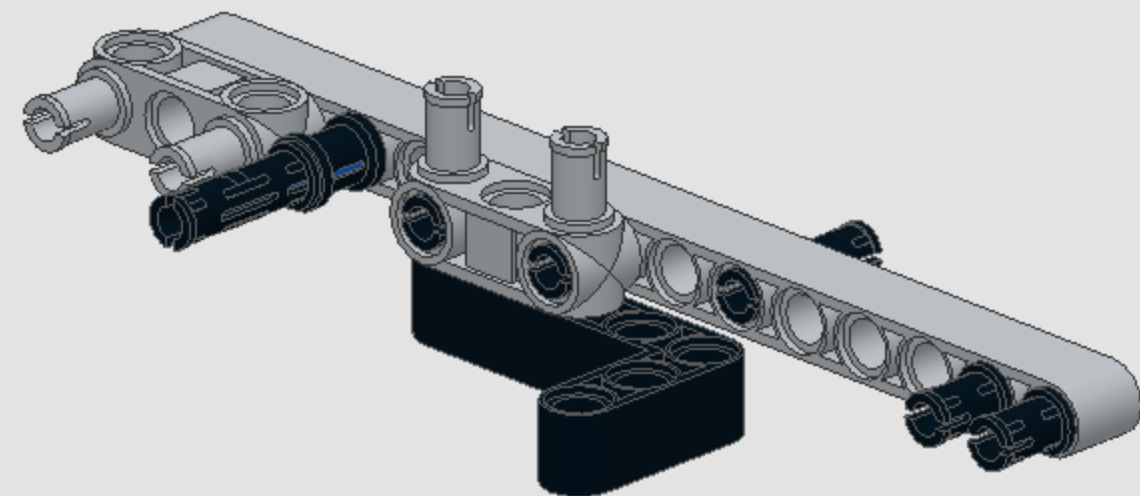
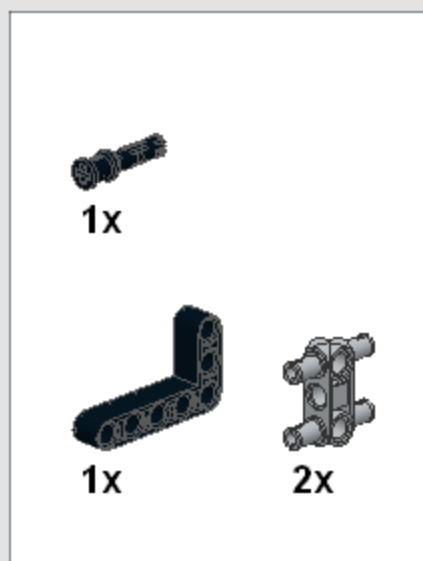
3



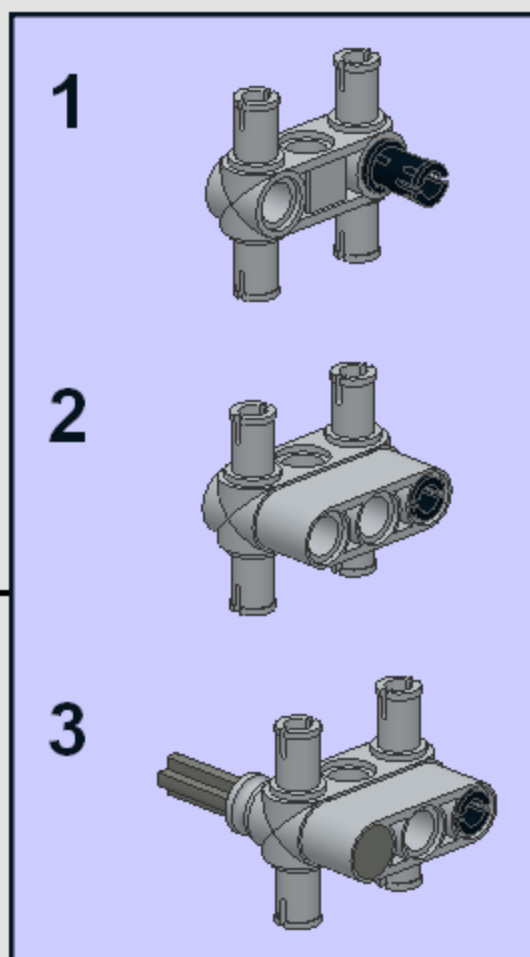
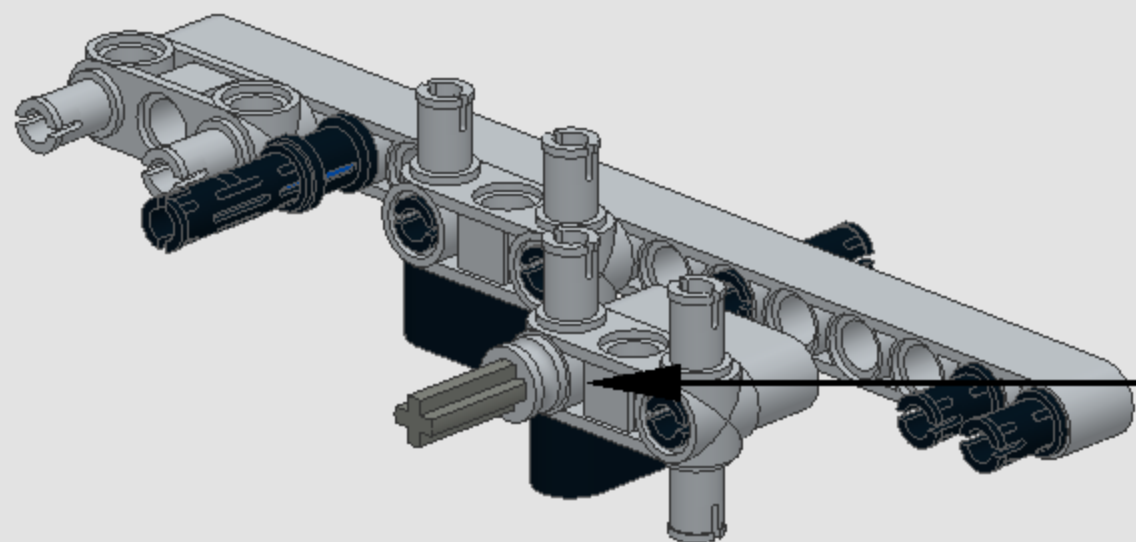
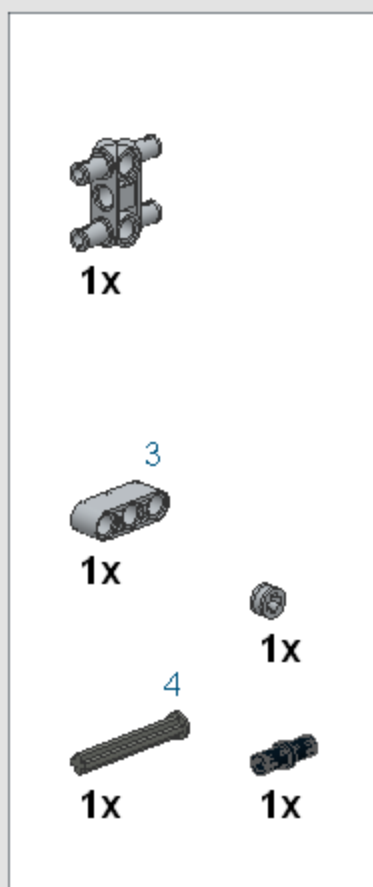
1



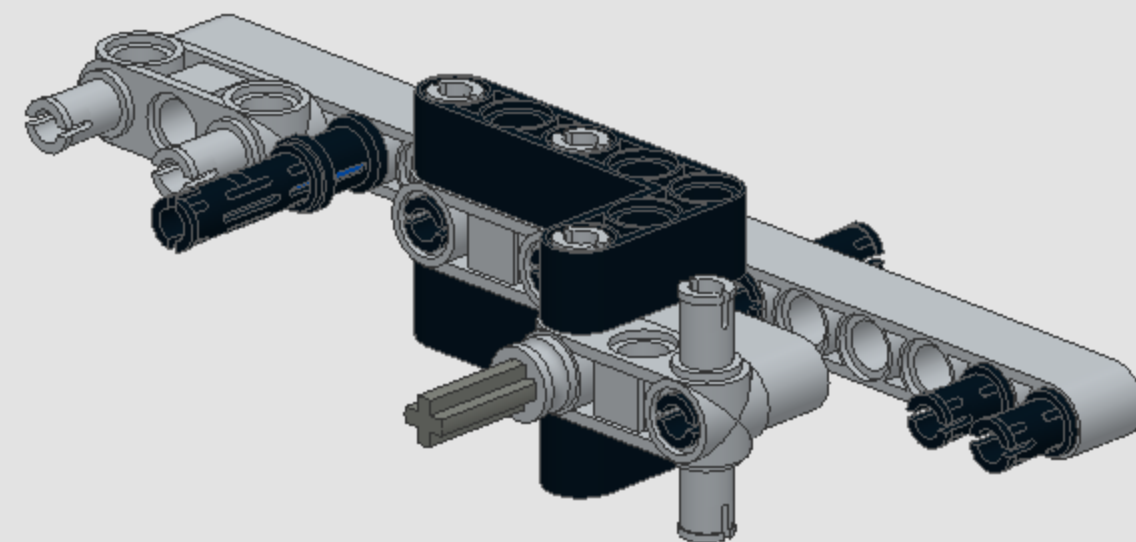
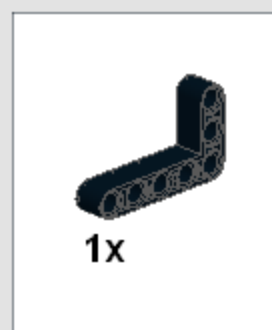
2



3



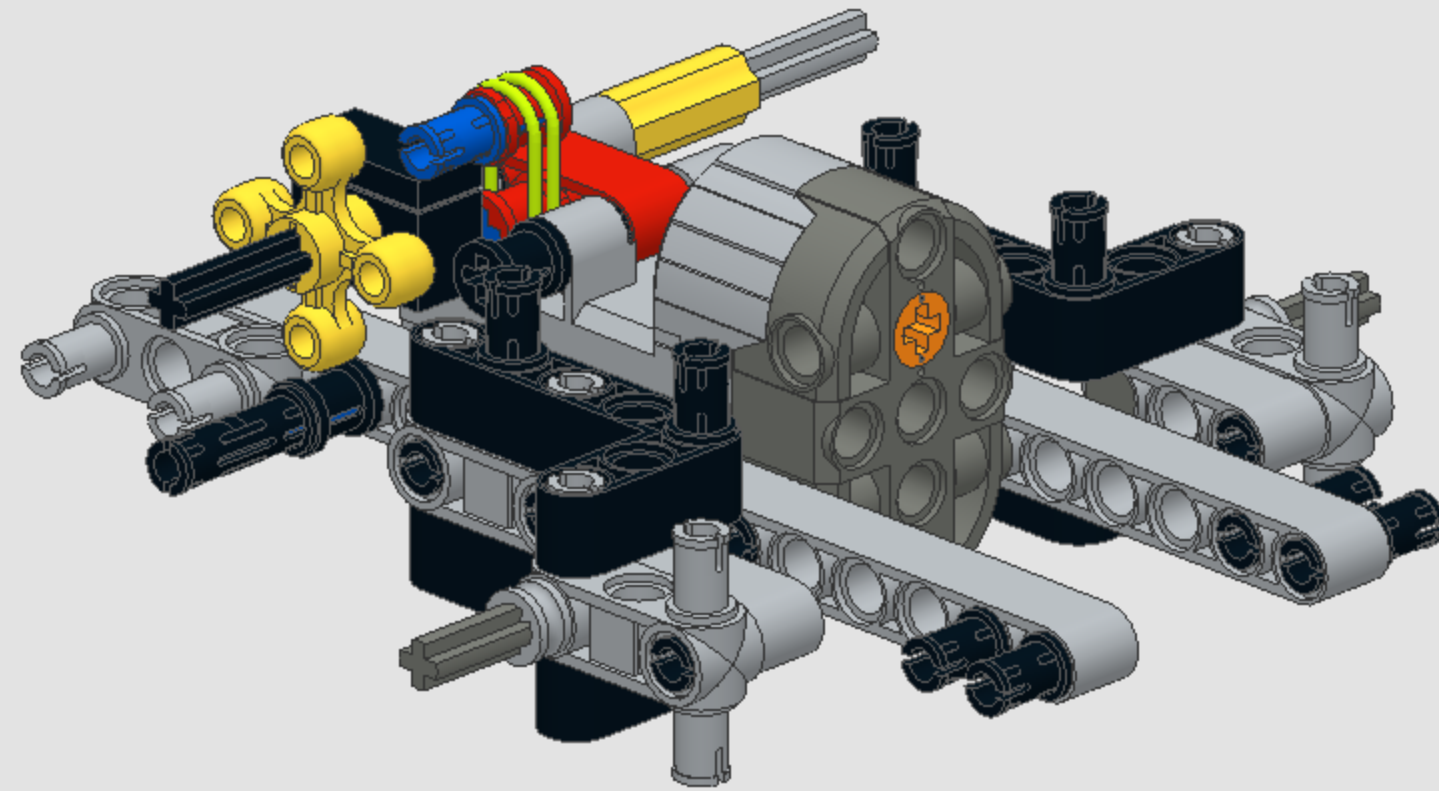
4



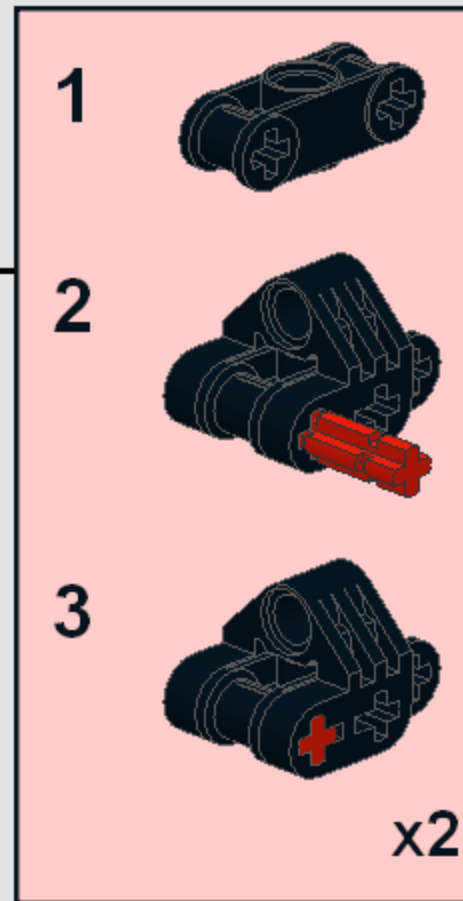
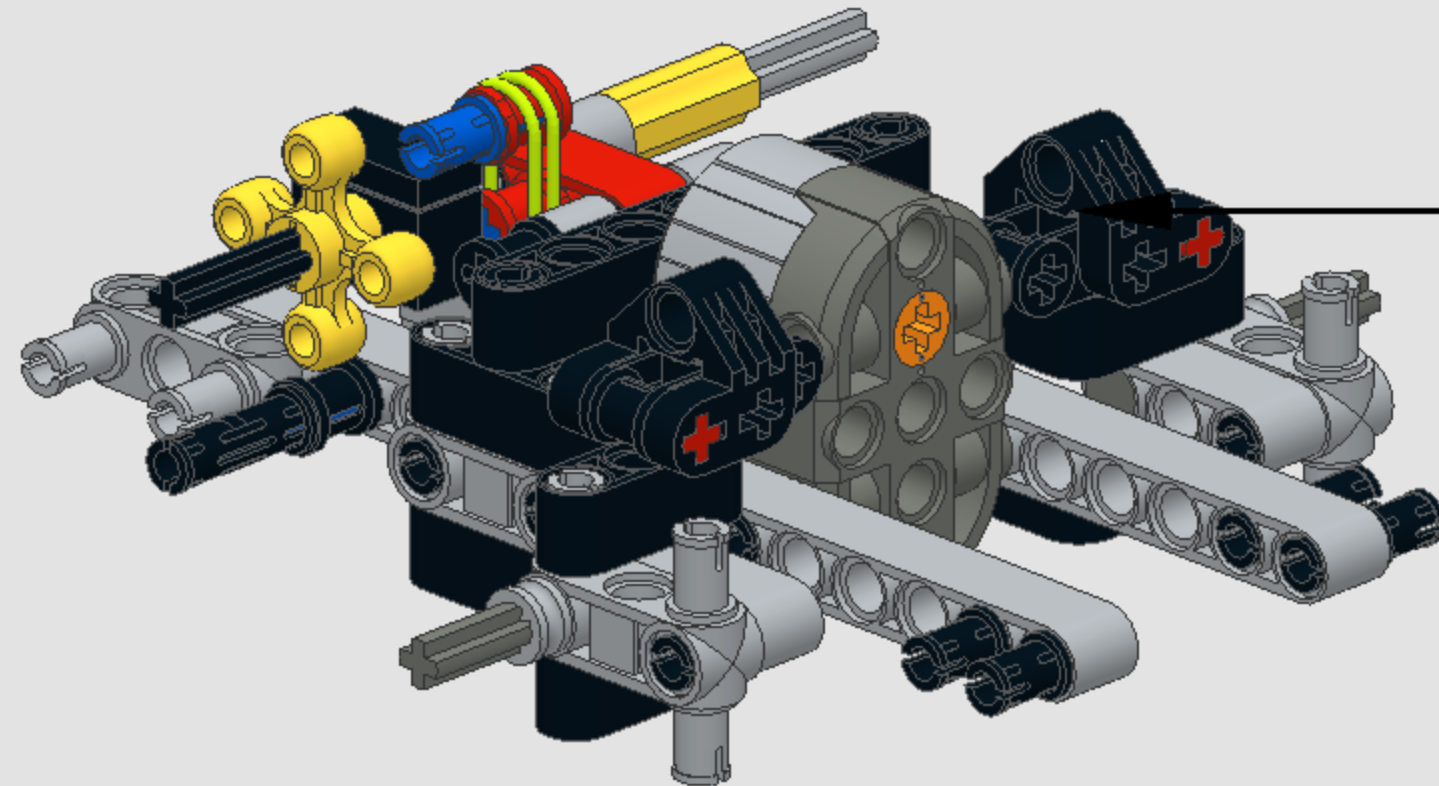
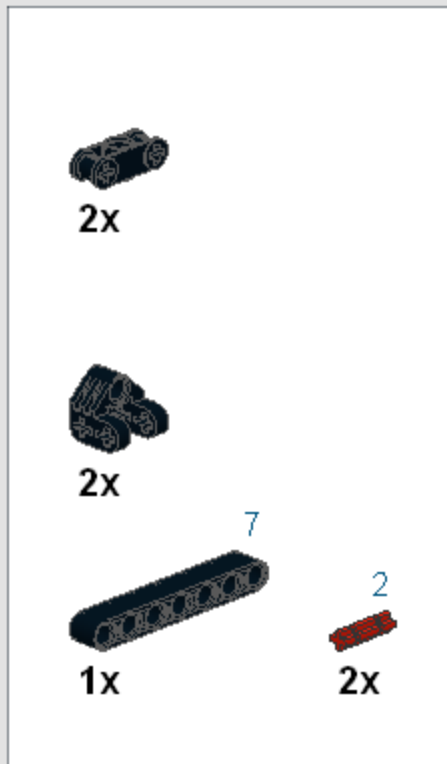
x2

11

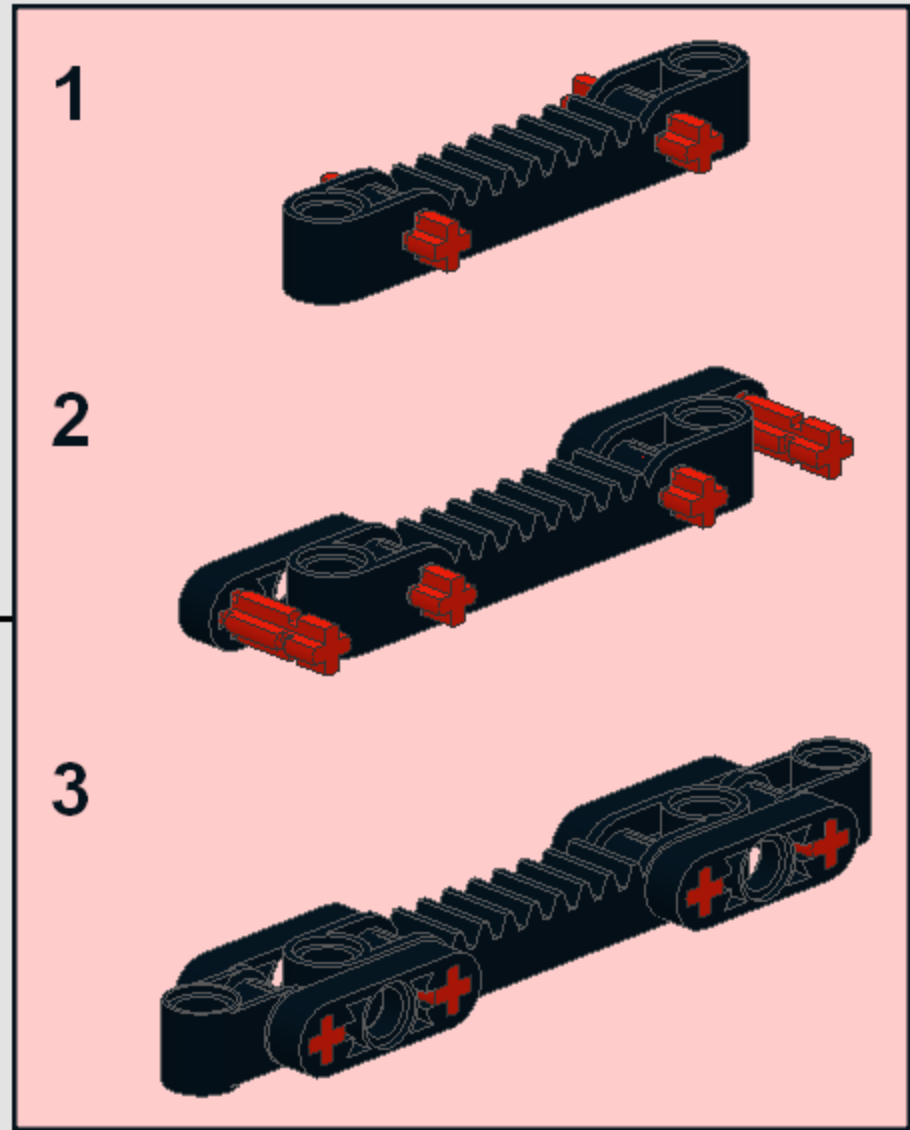
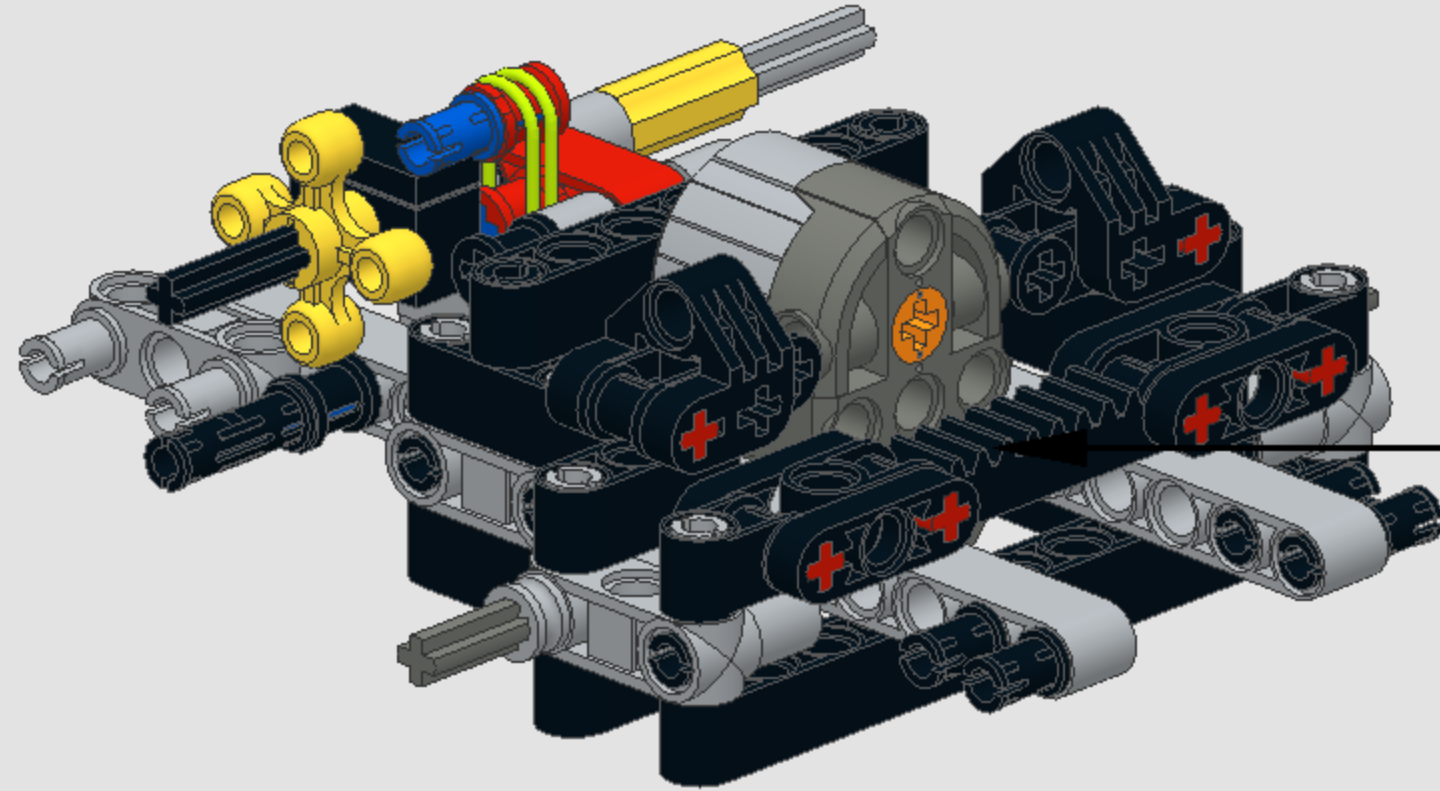
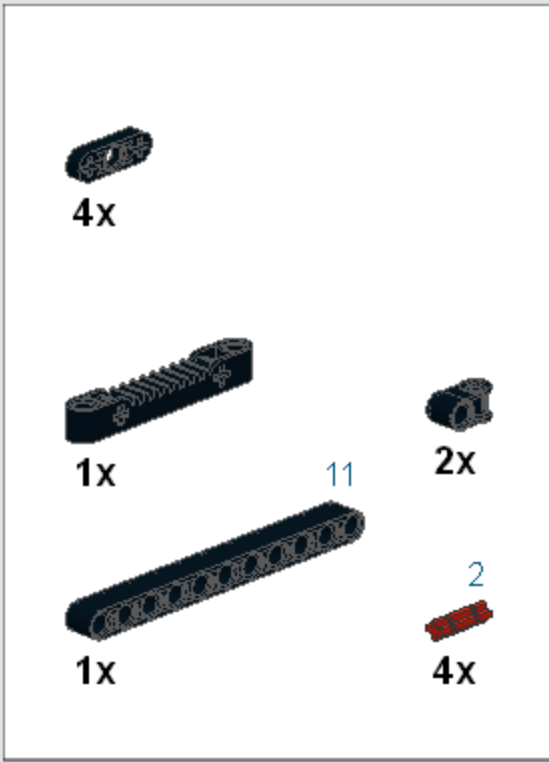
4



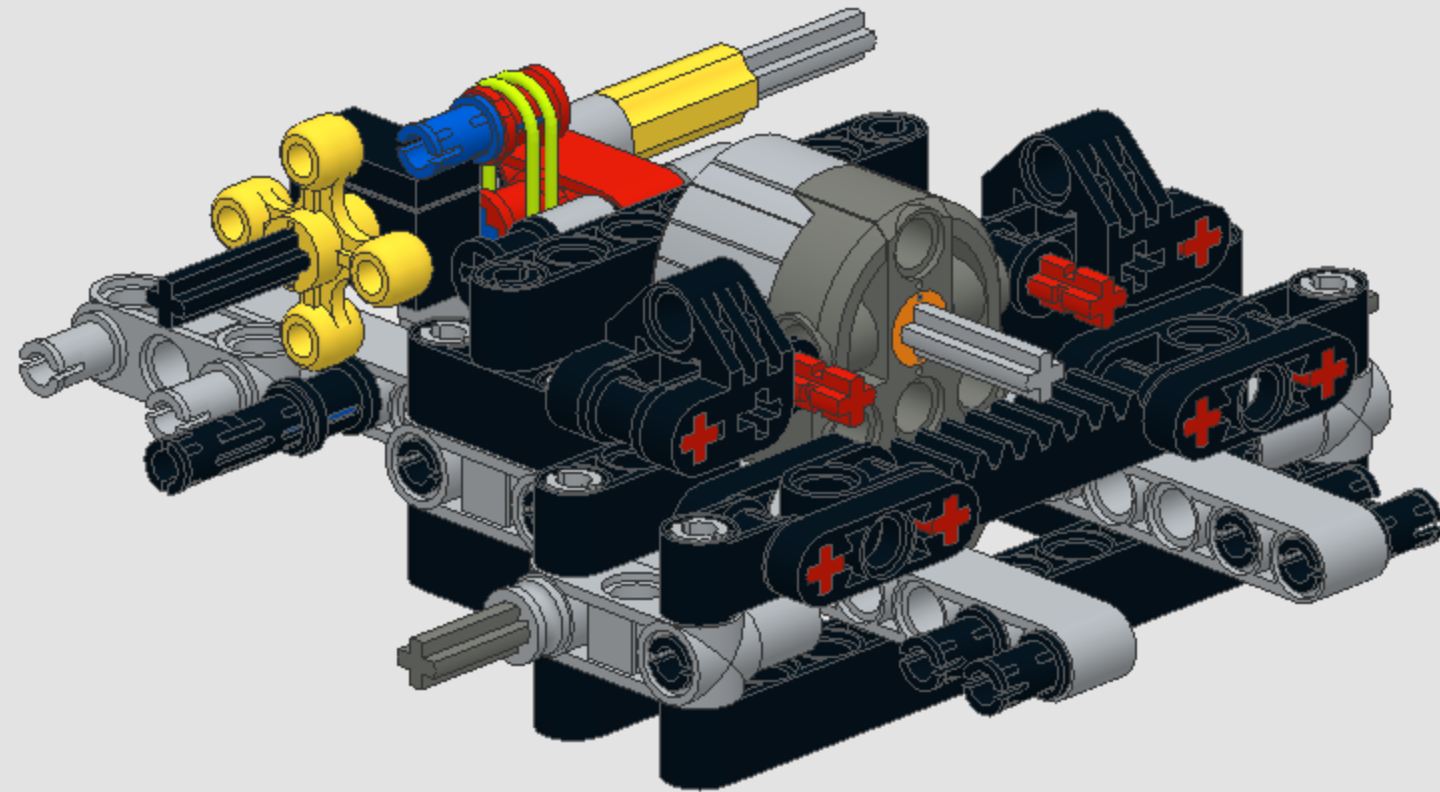
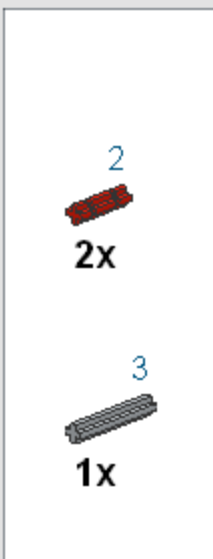
5



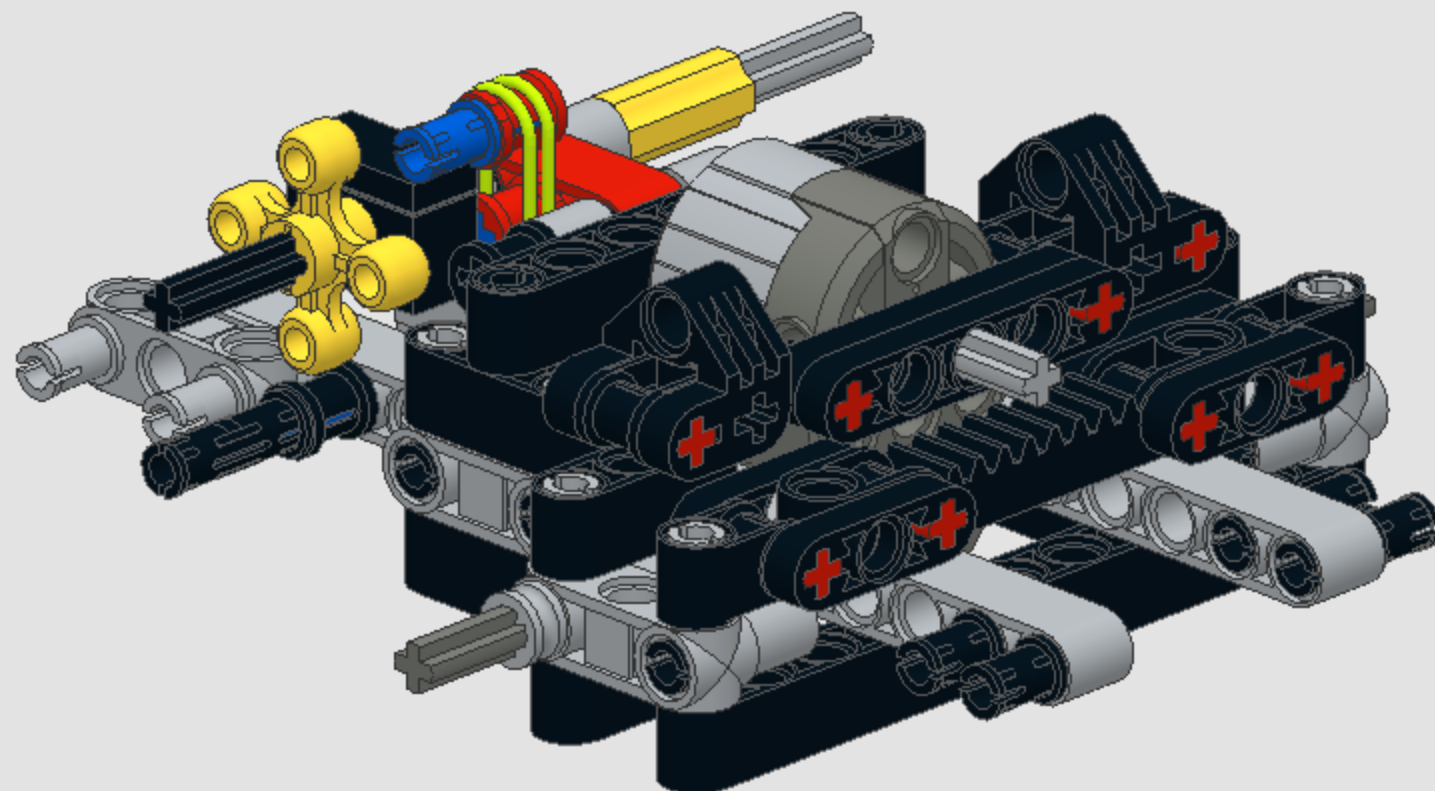
6



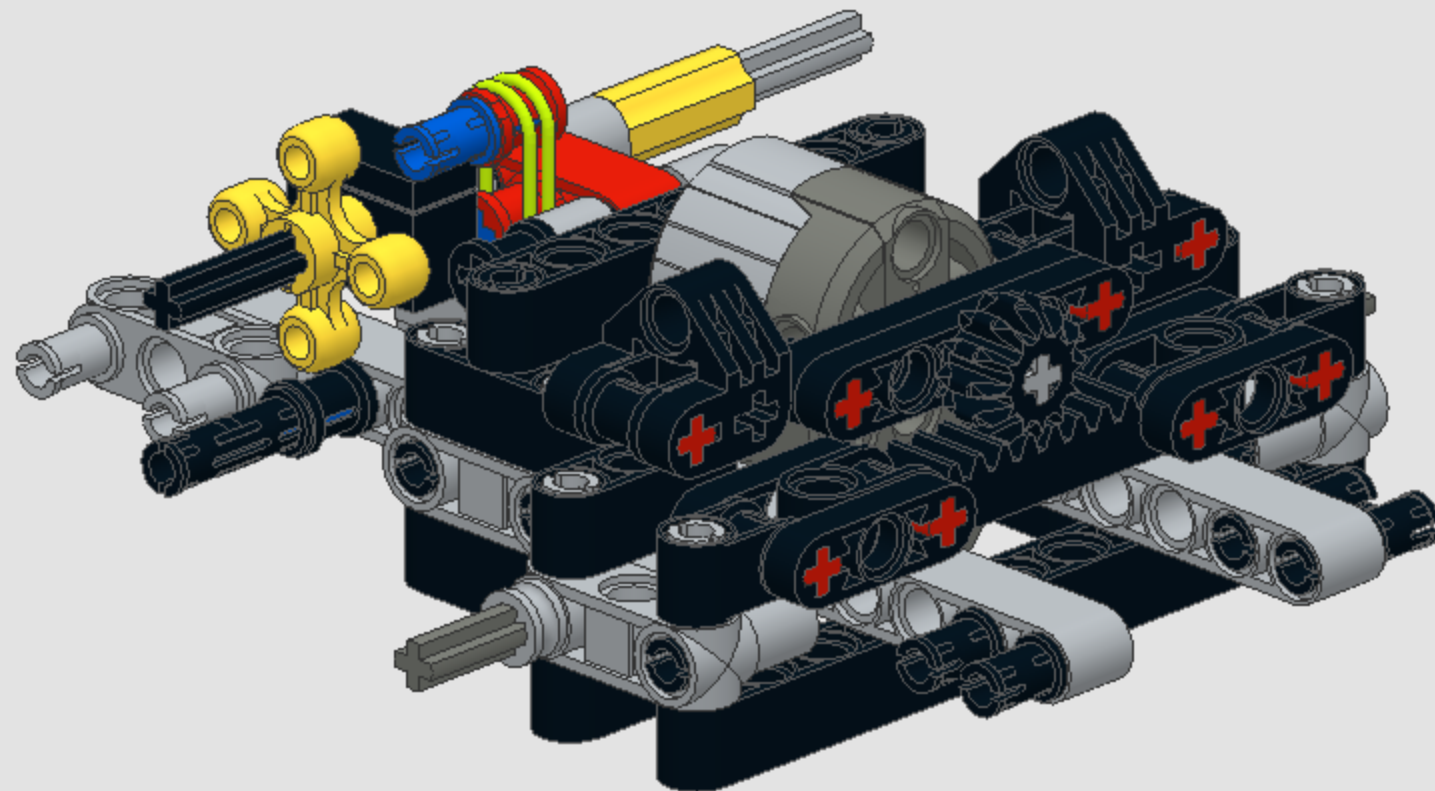
7



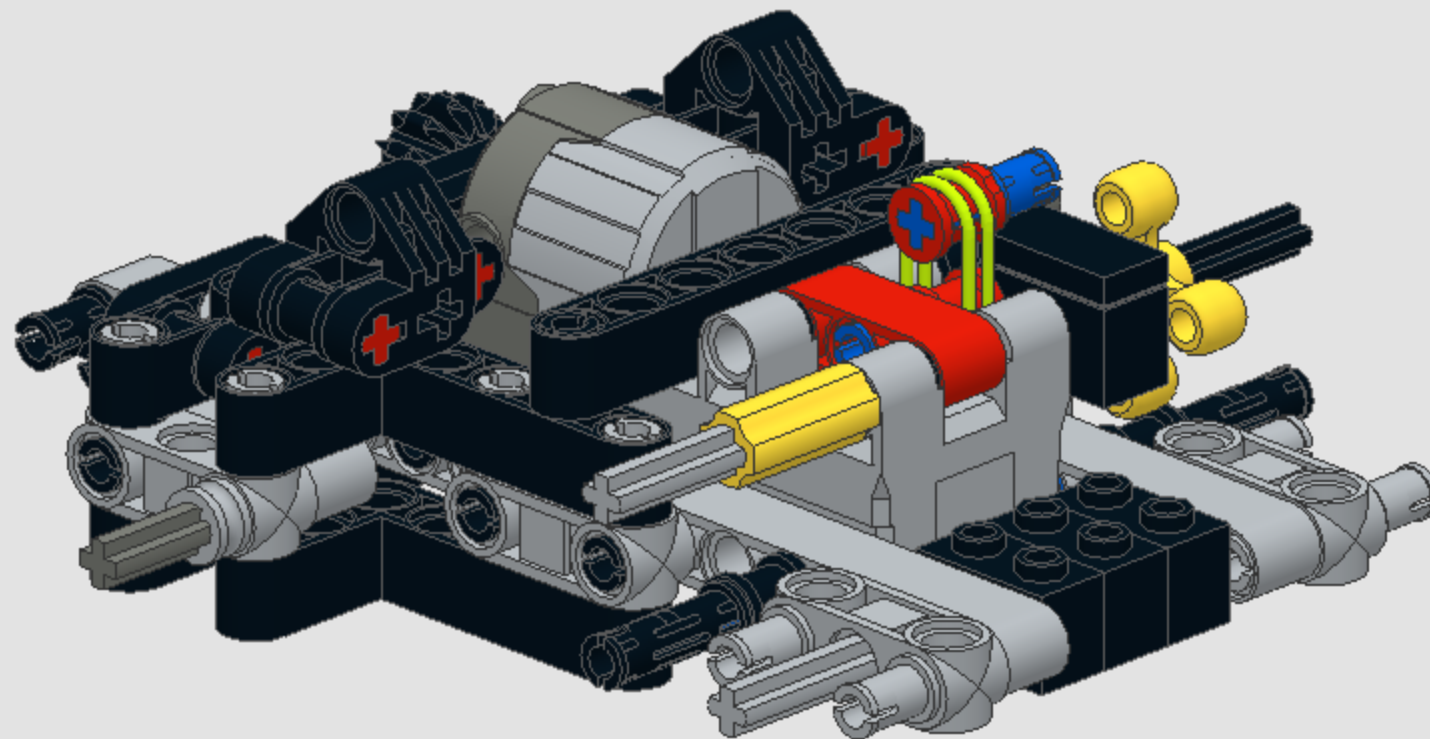
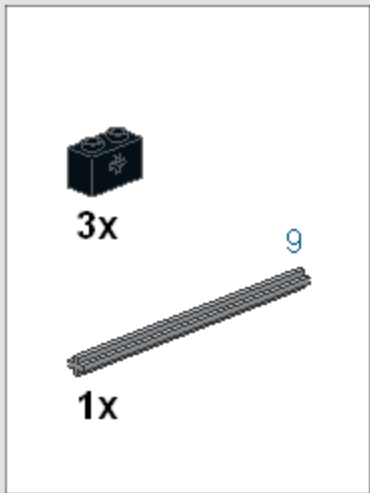
8



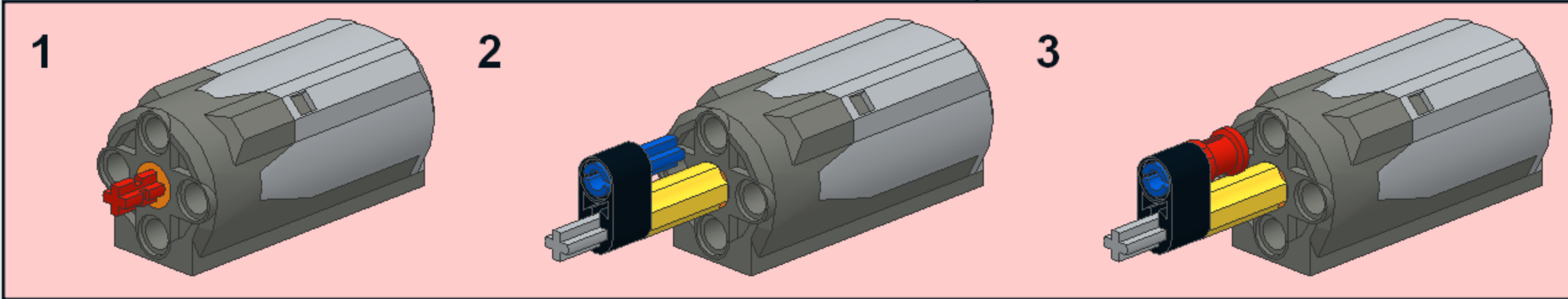
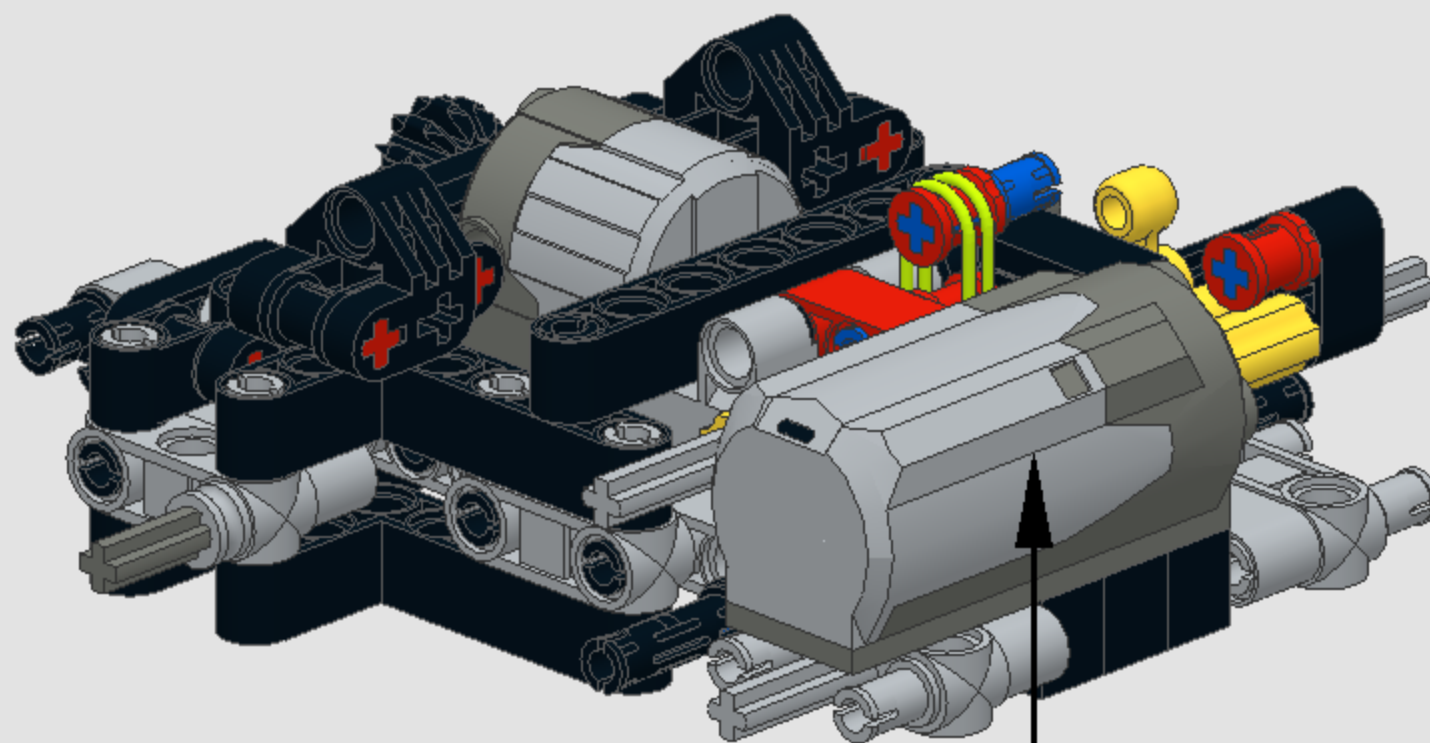
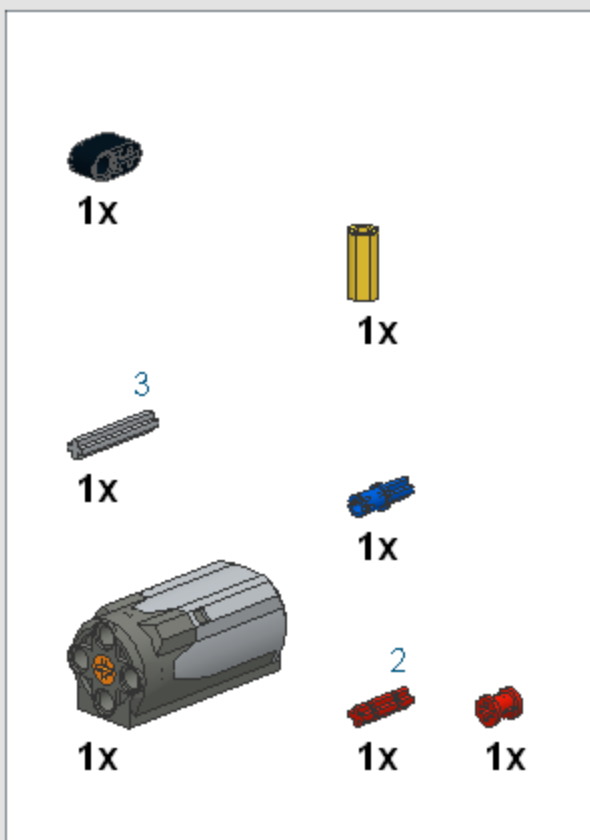
9

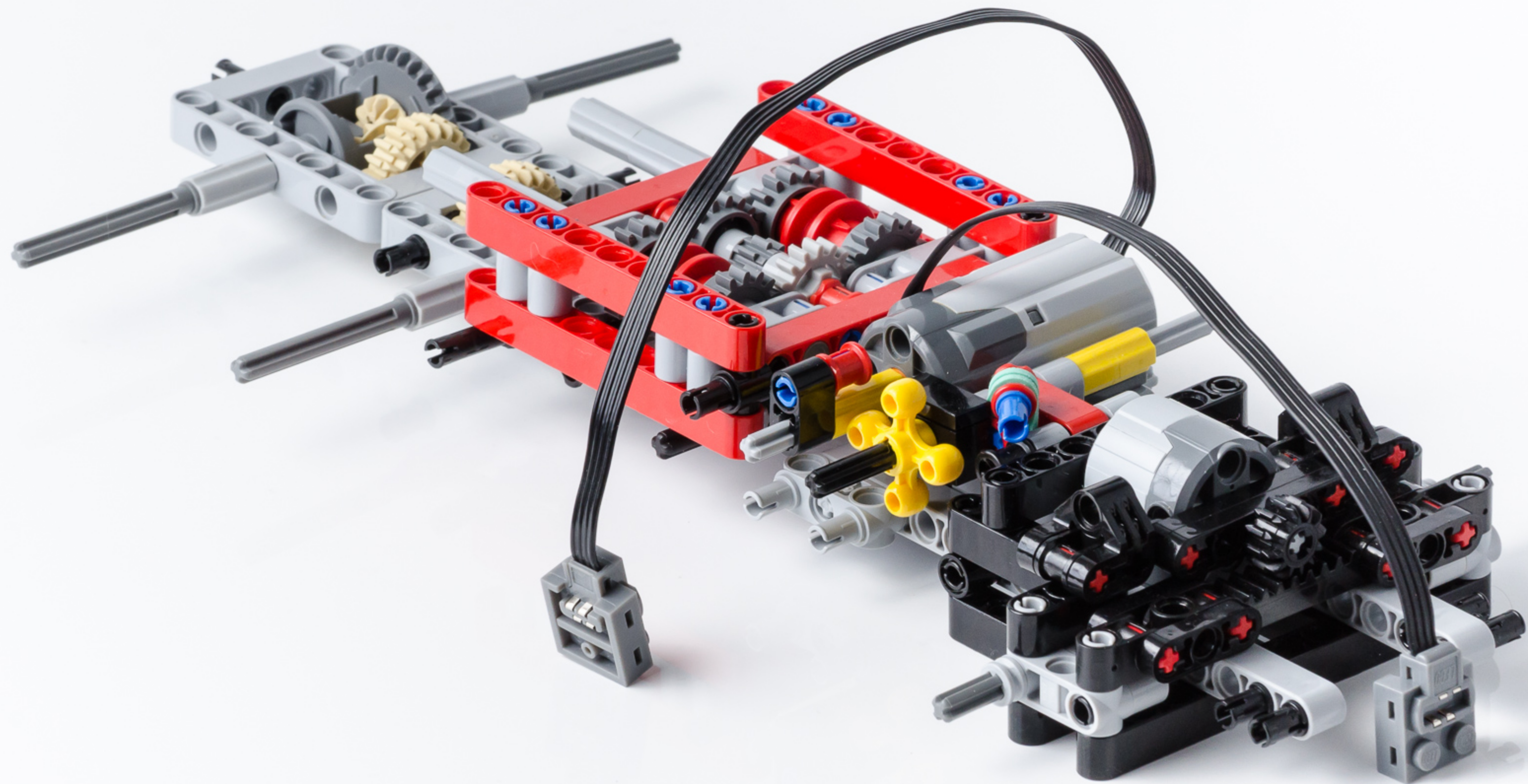


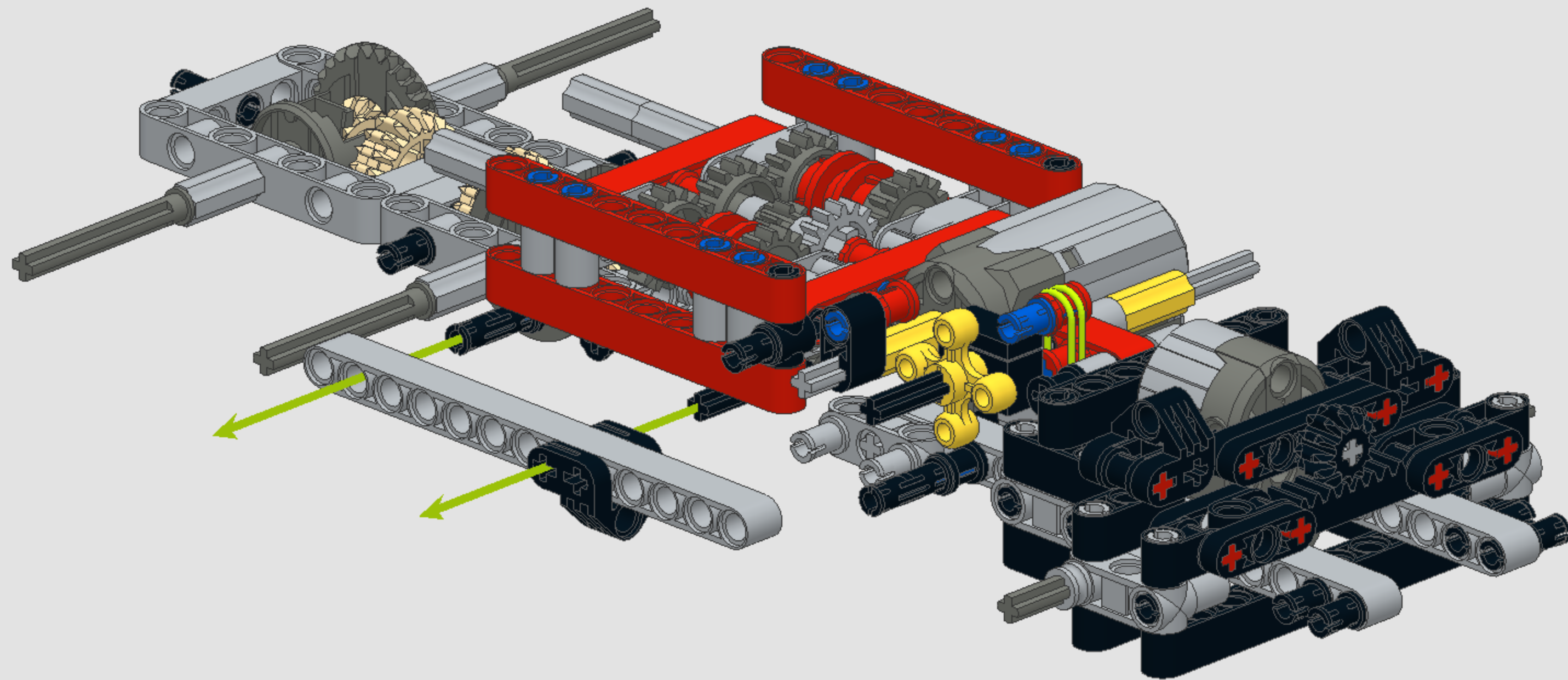
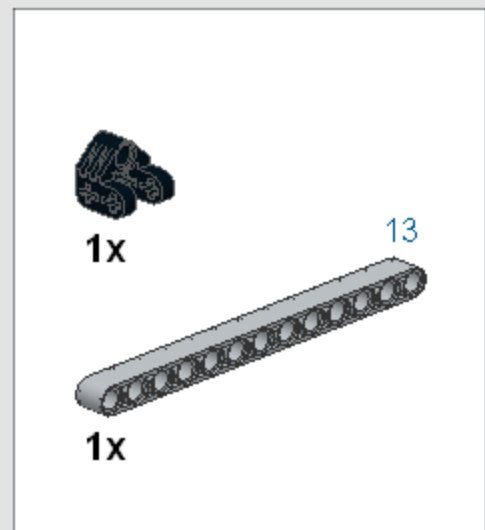
10

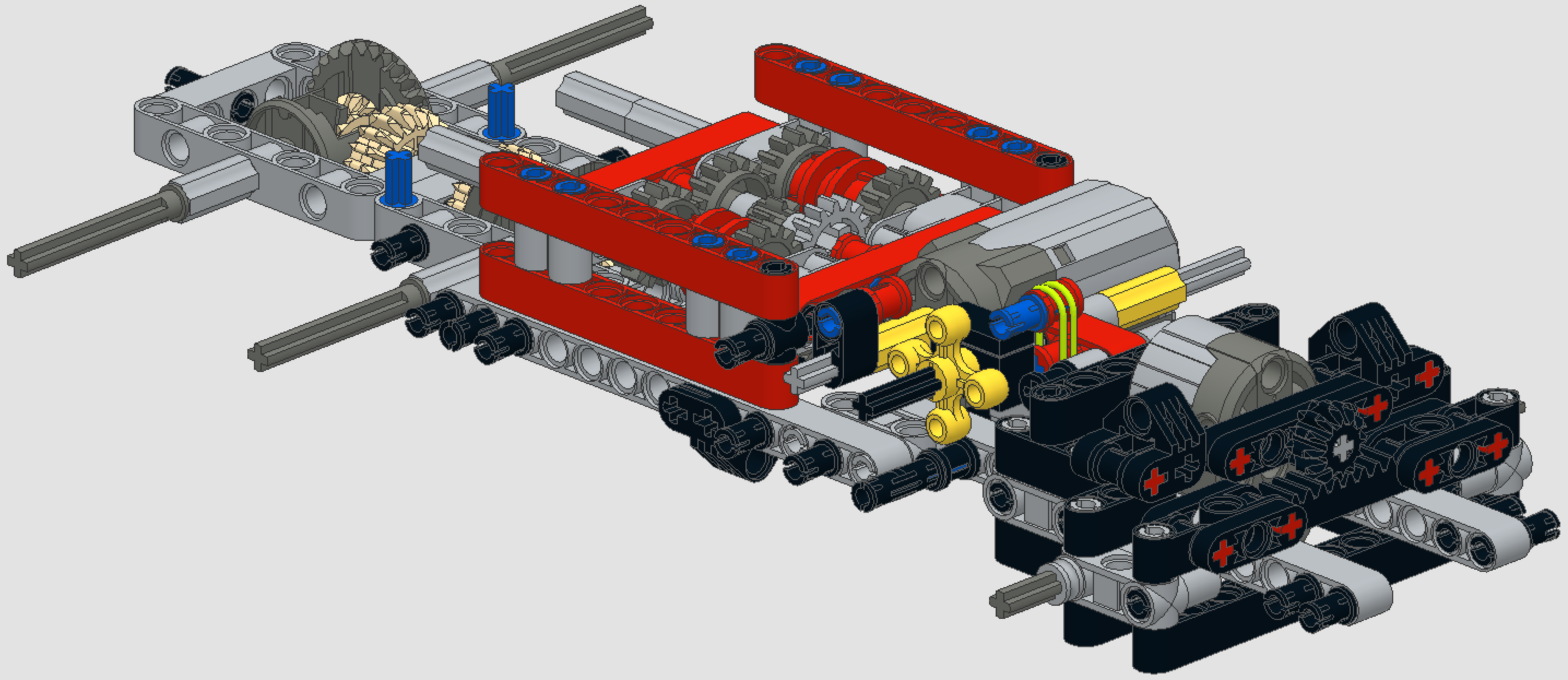


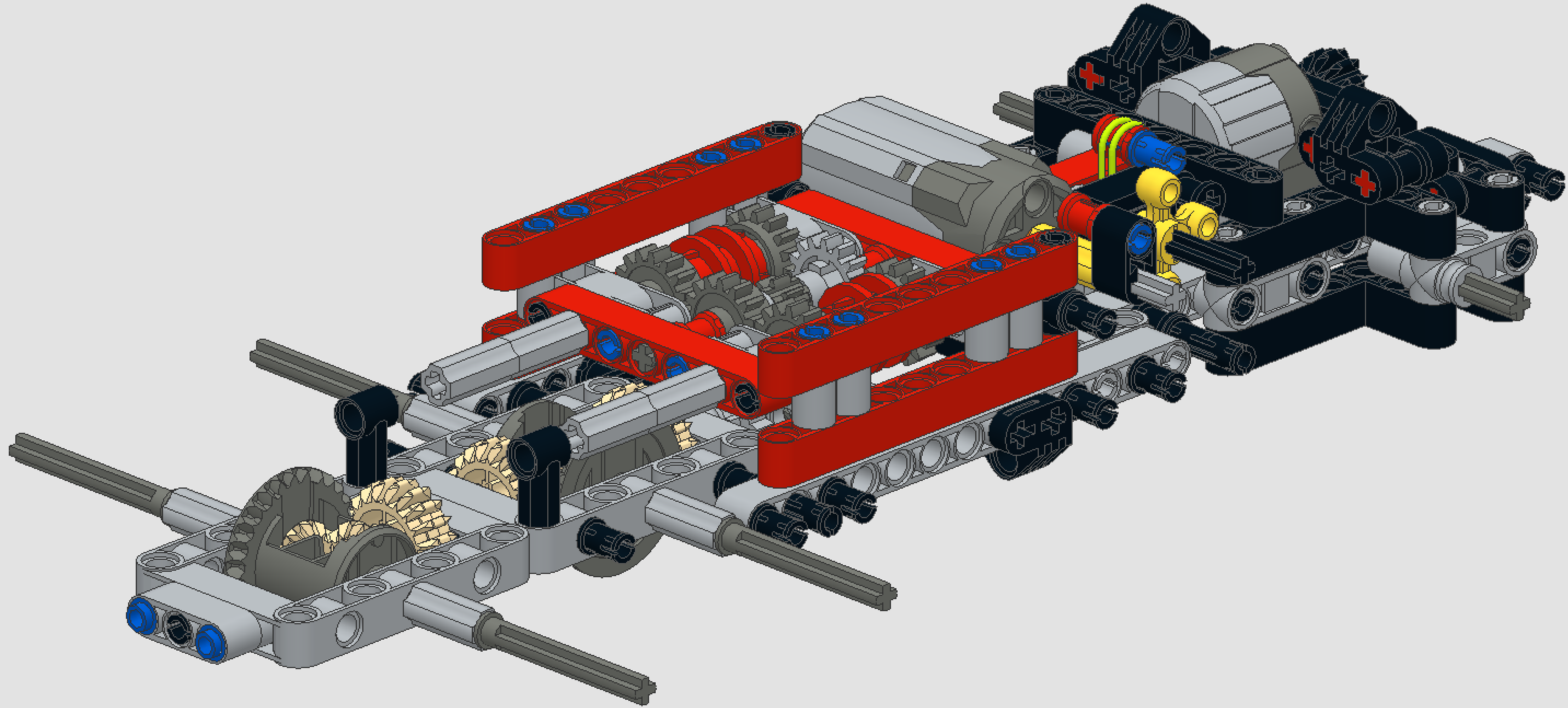
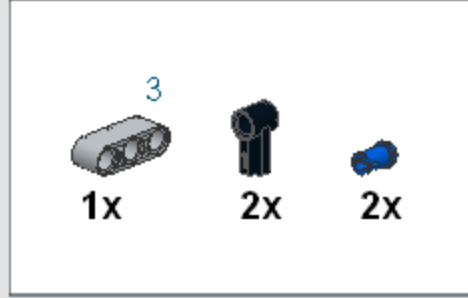
11

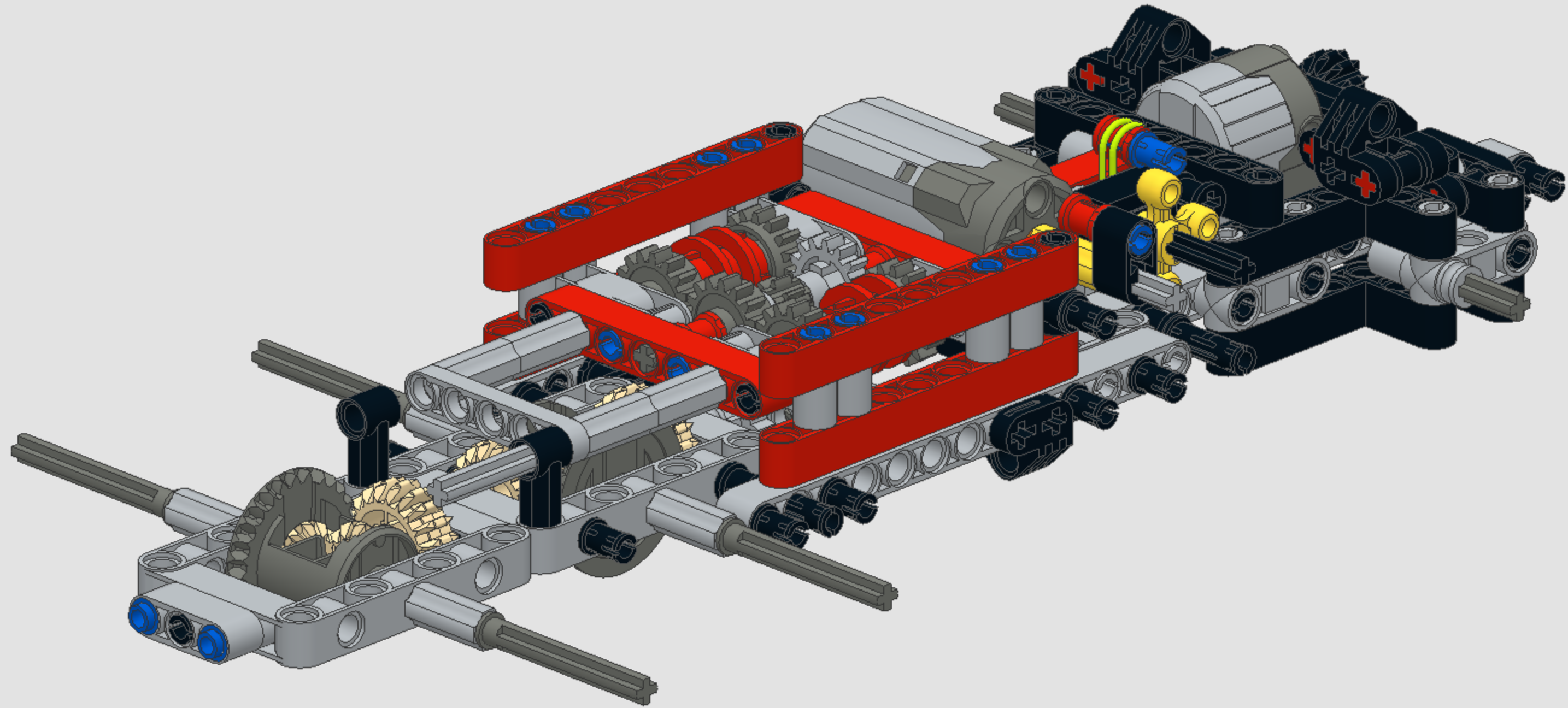
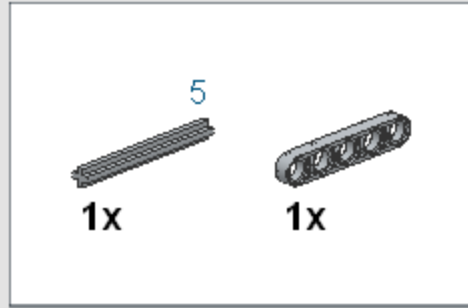


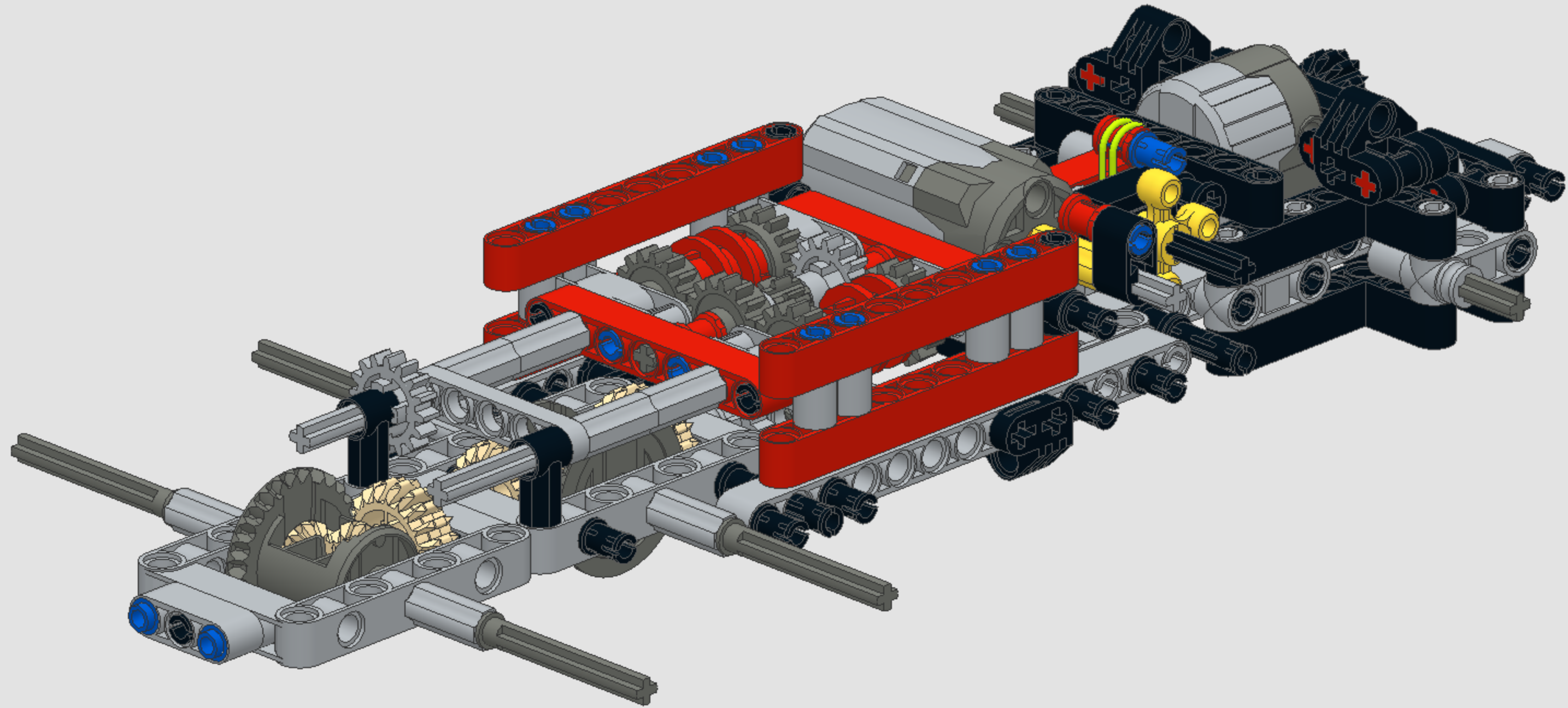
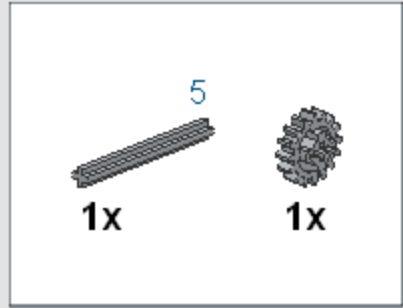


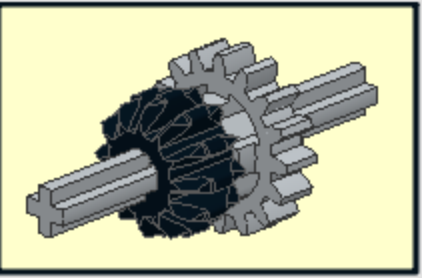
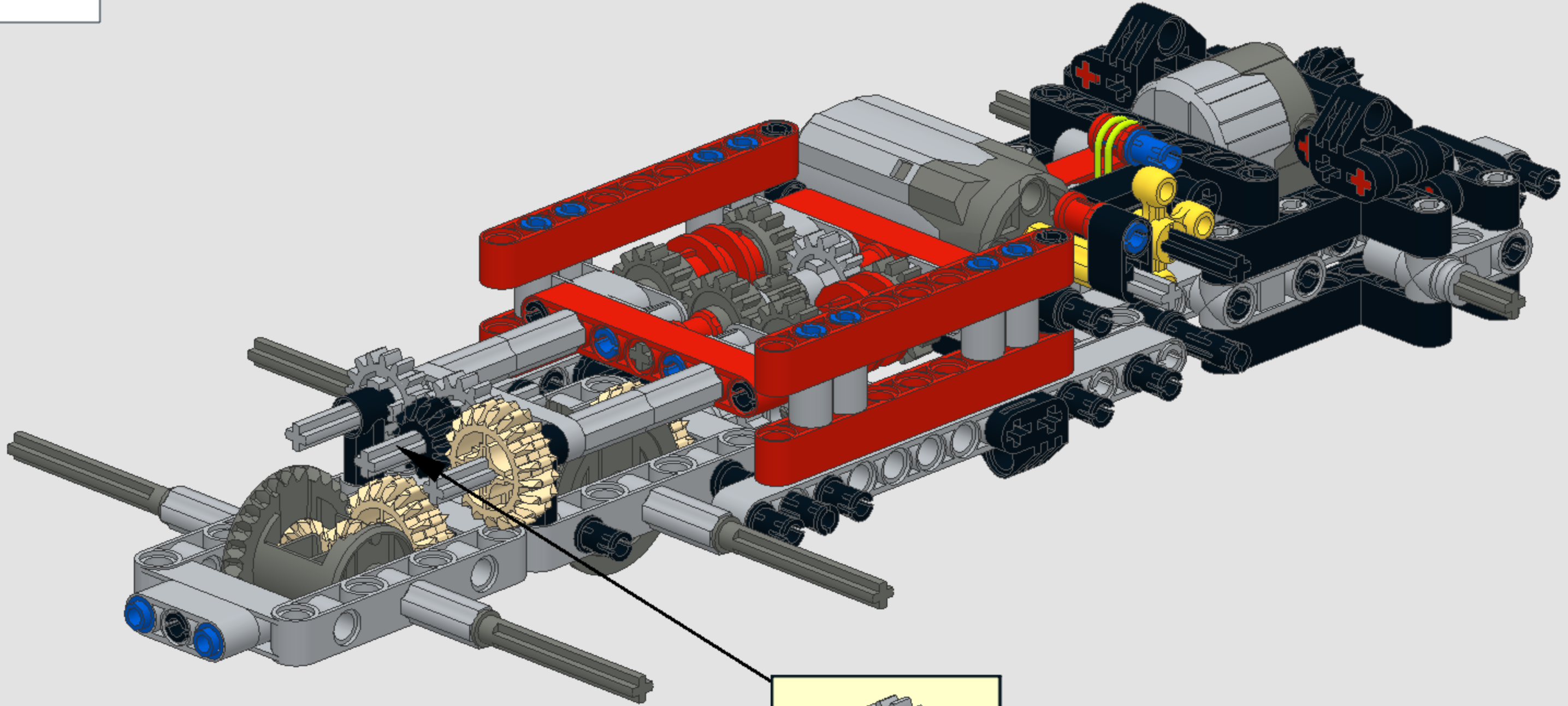
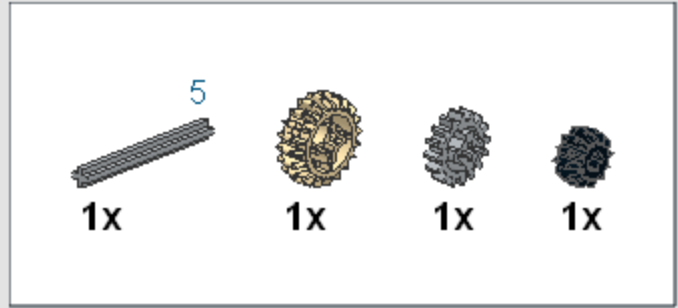


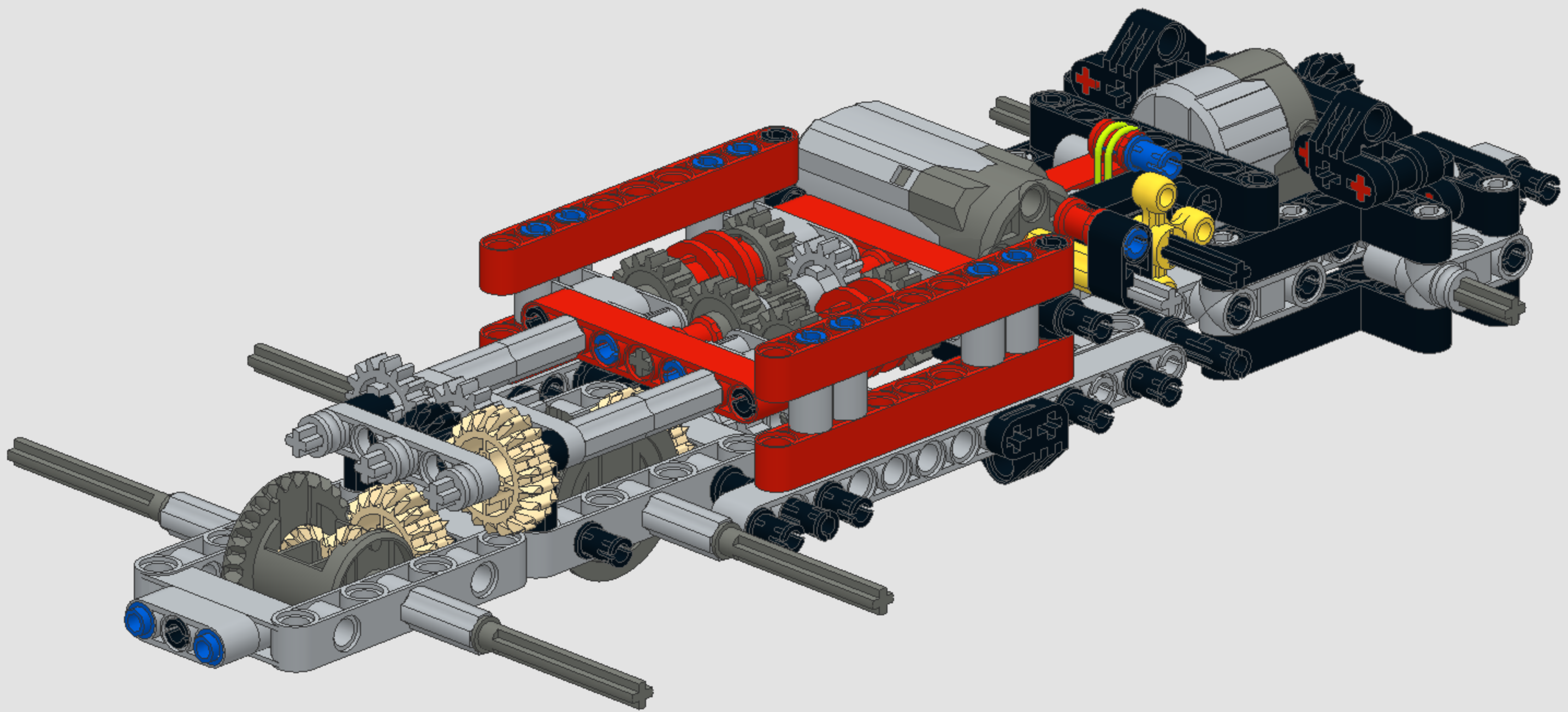
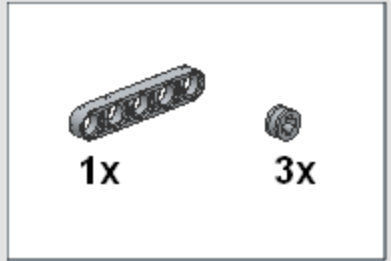


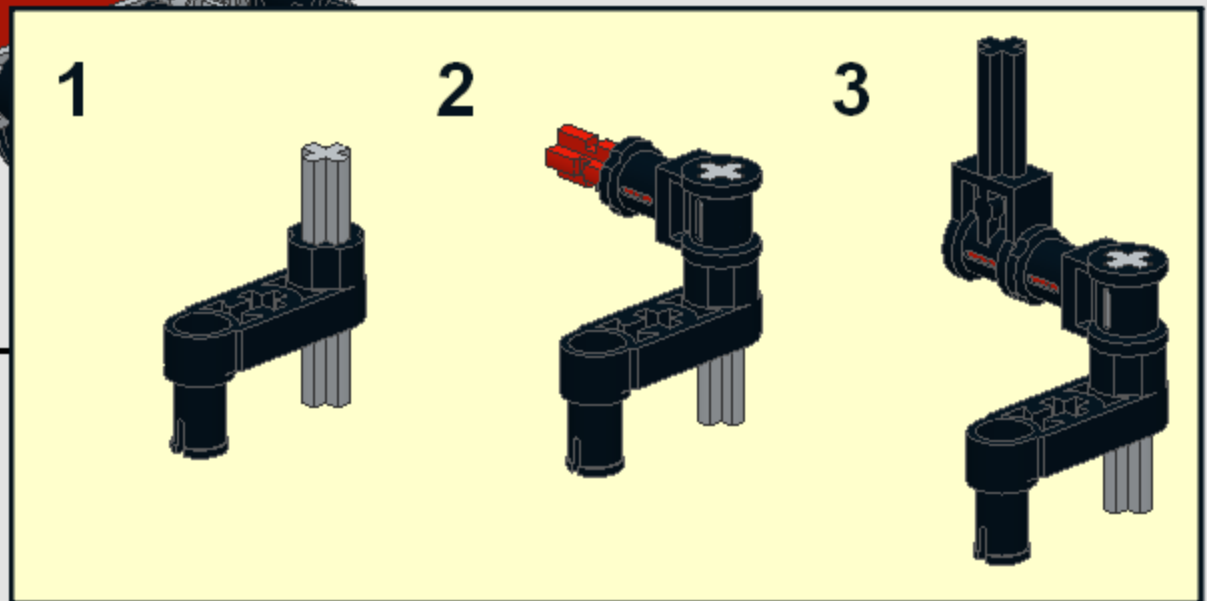
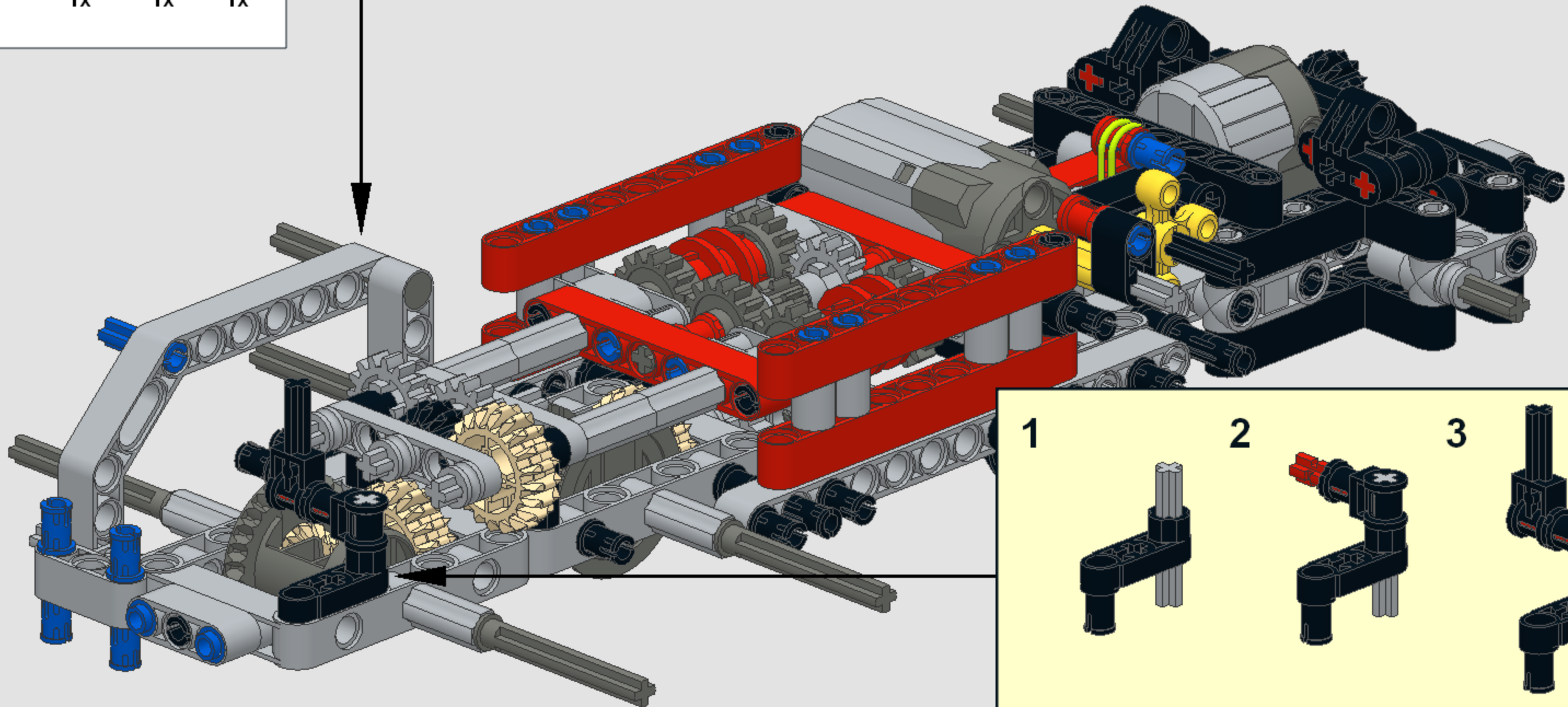
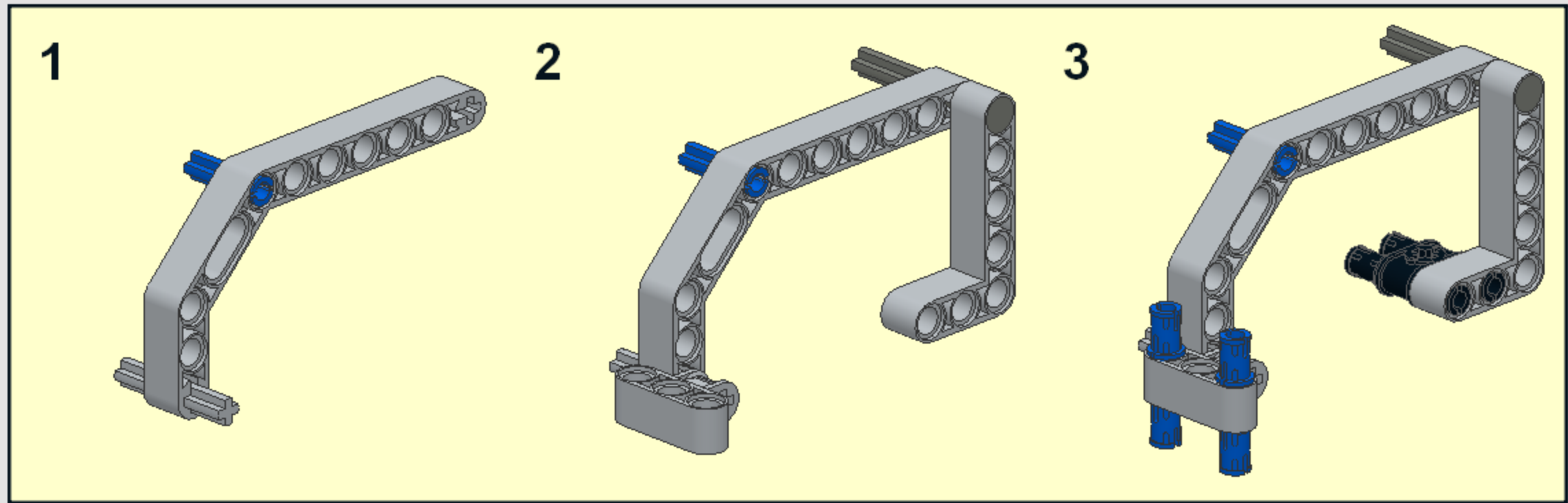
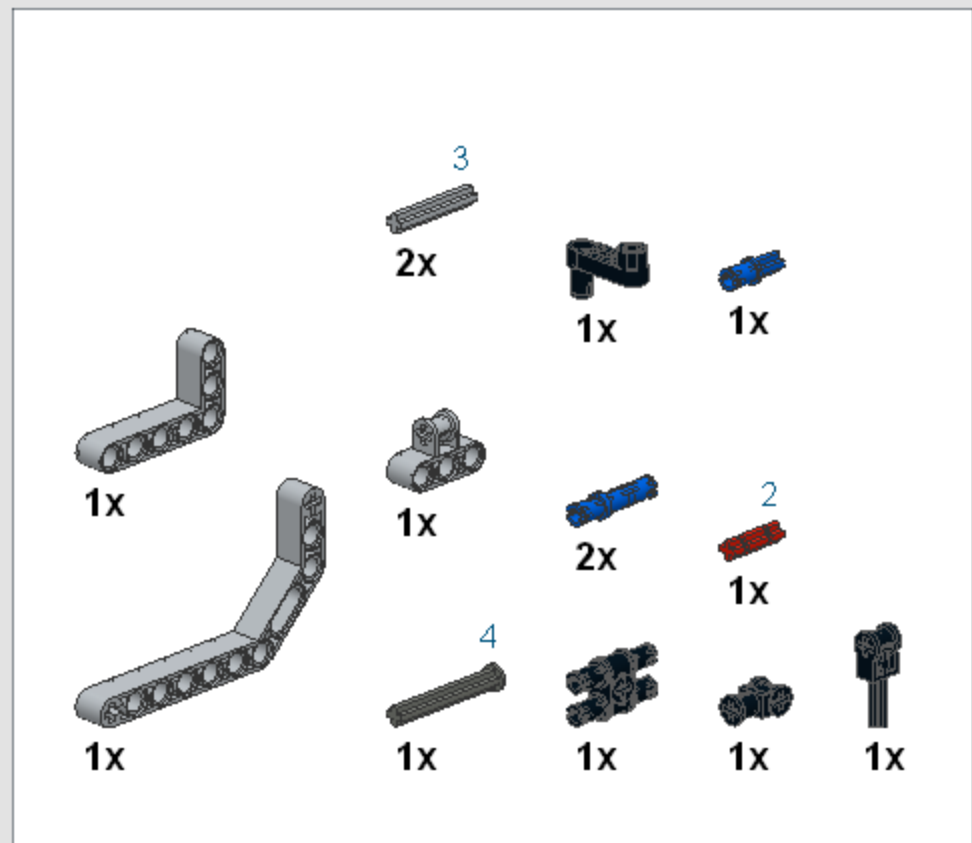


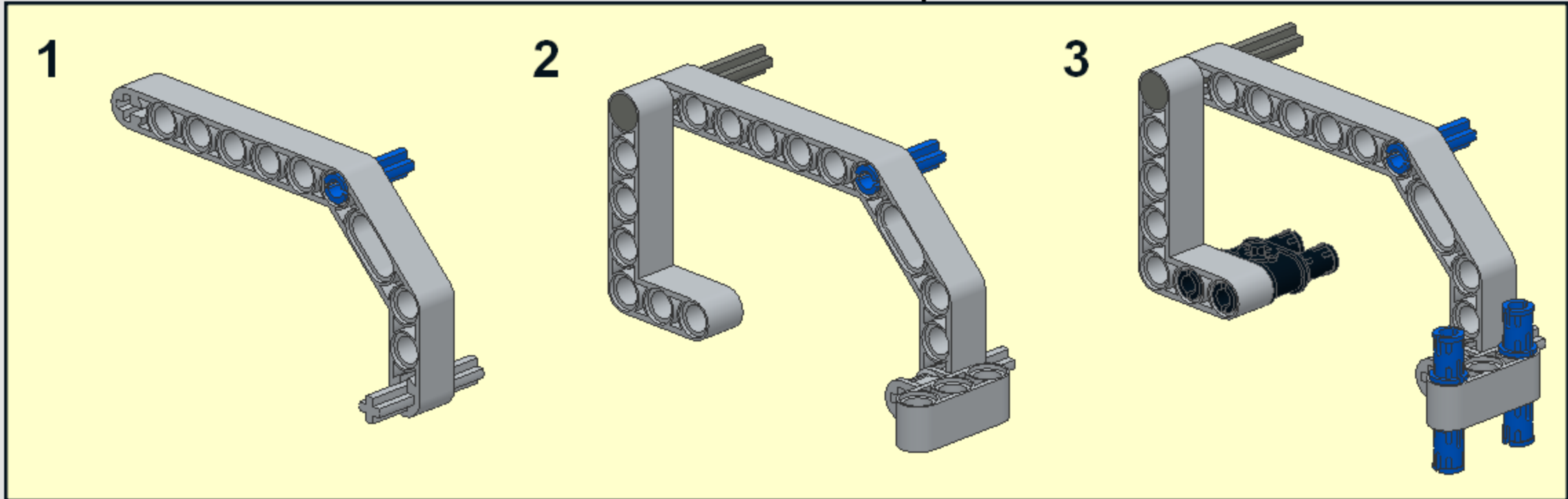
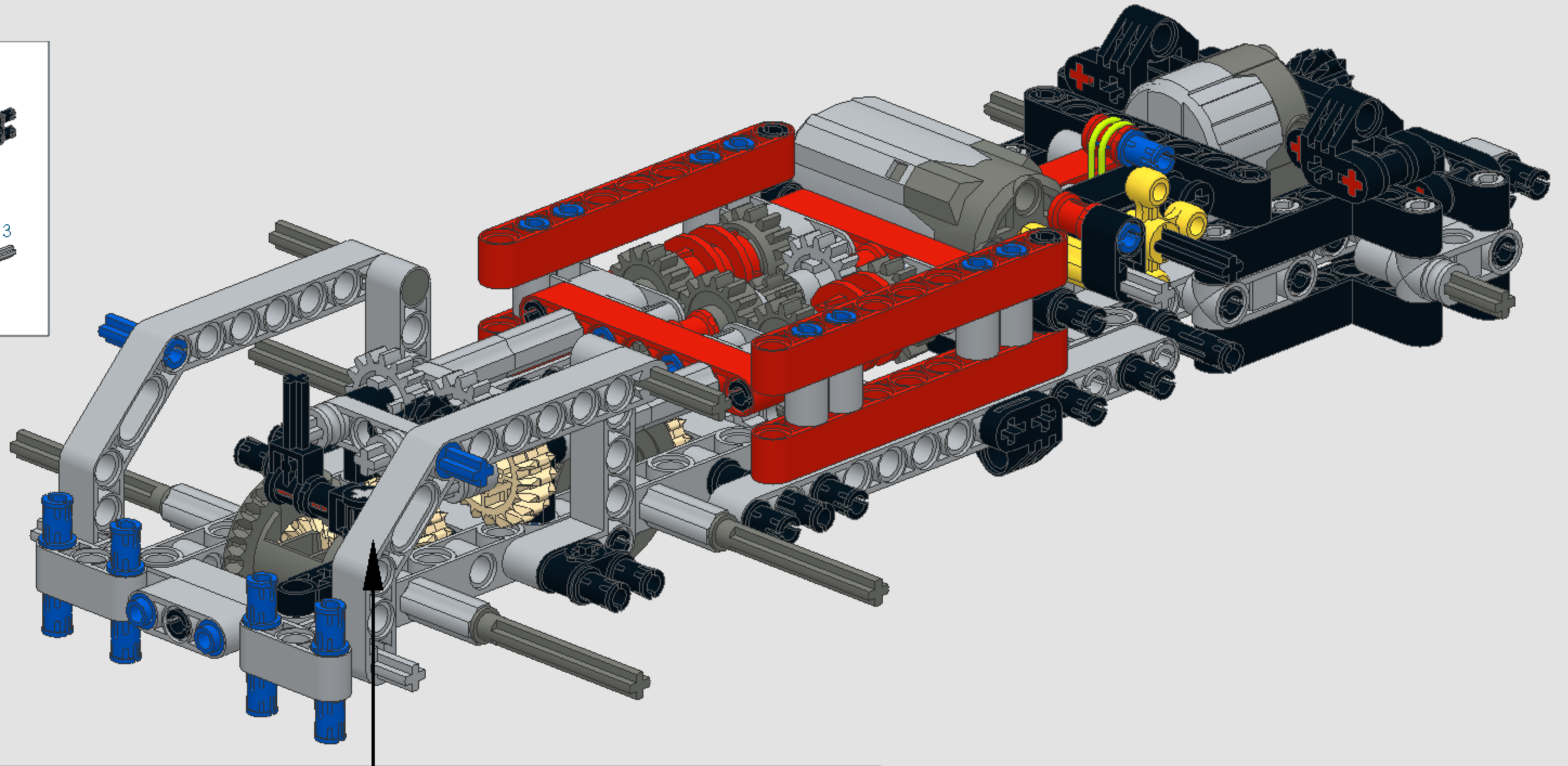
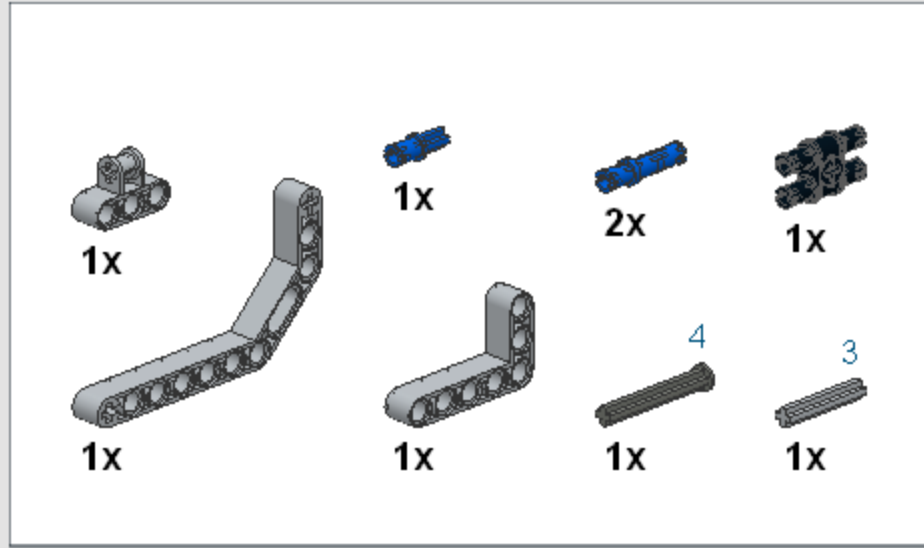


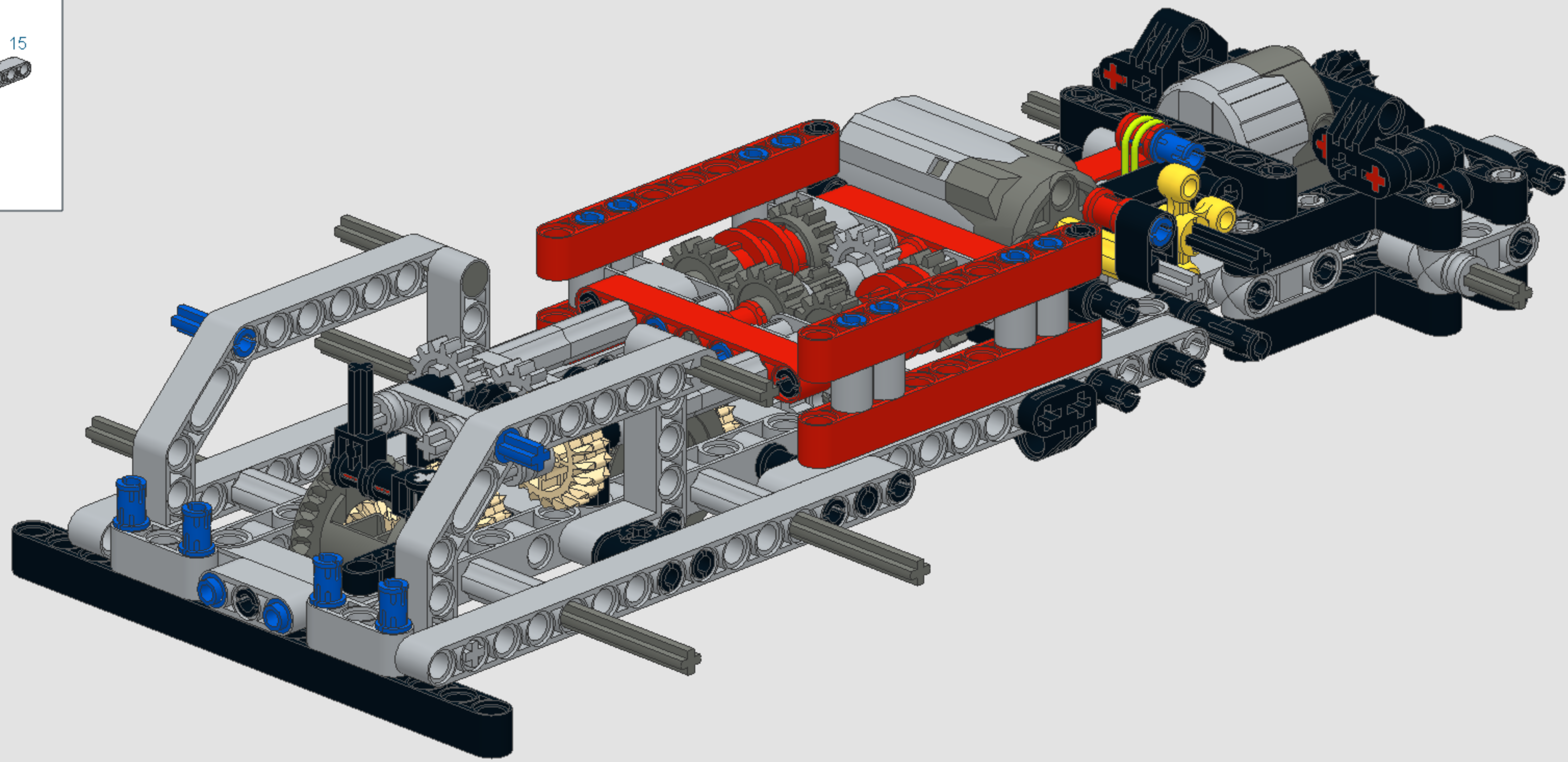
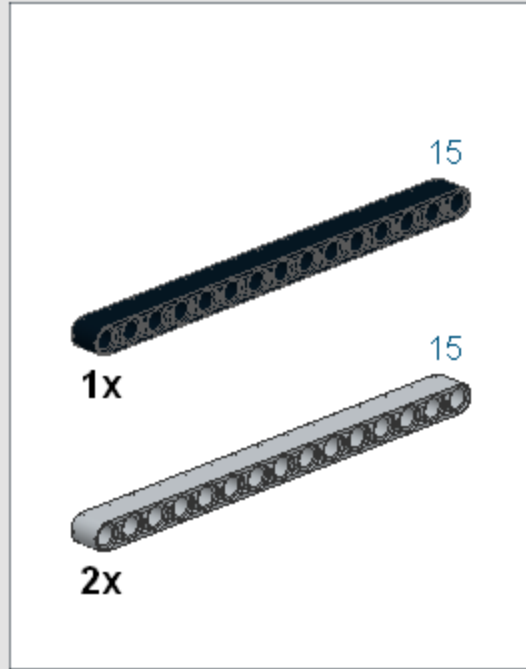


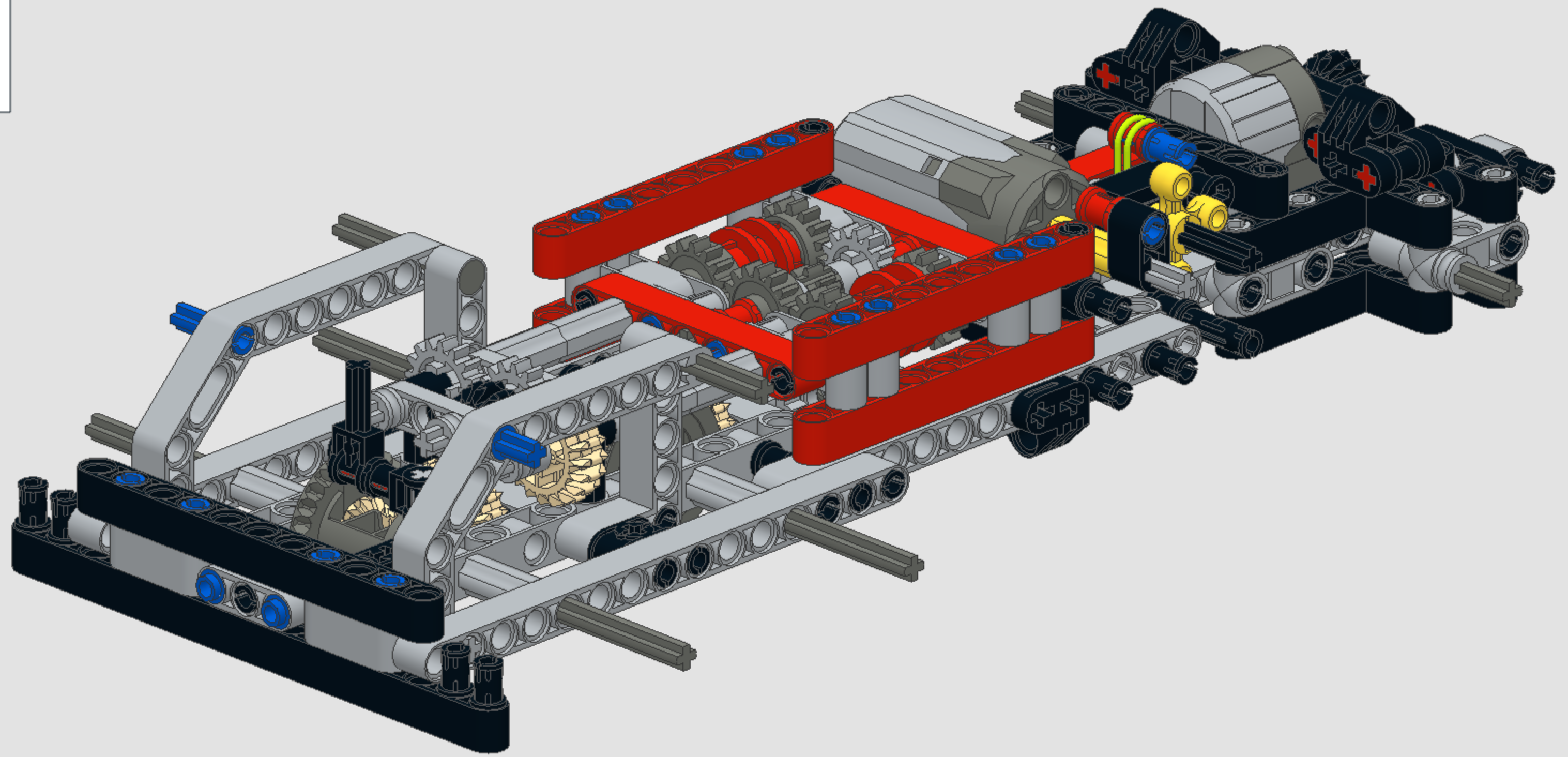
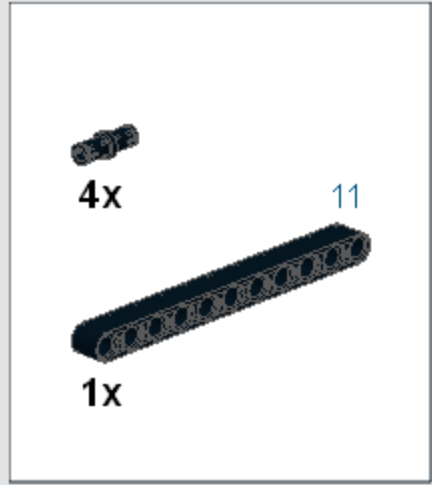


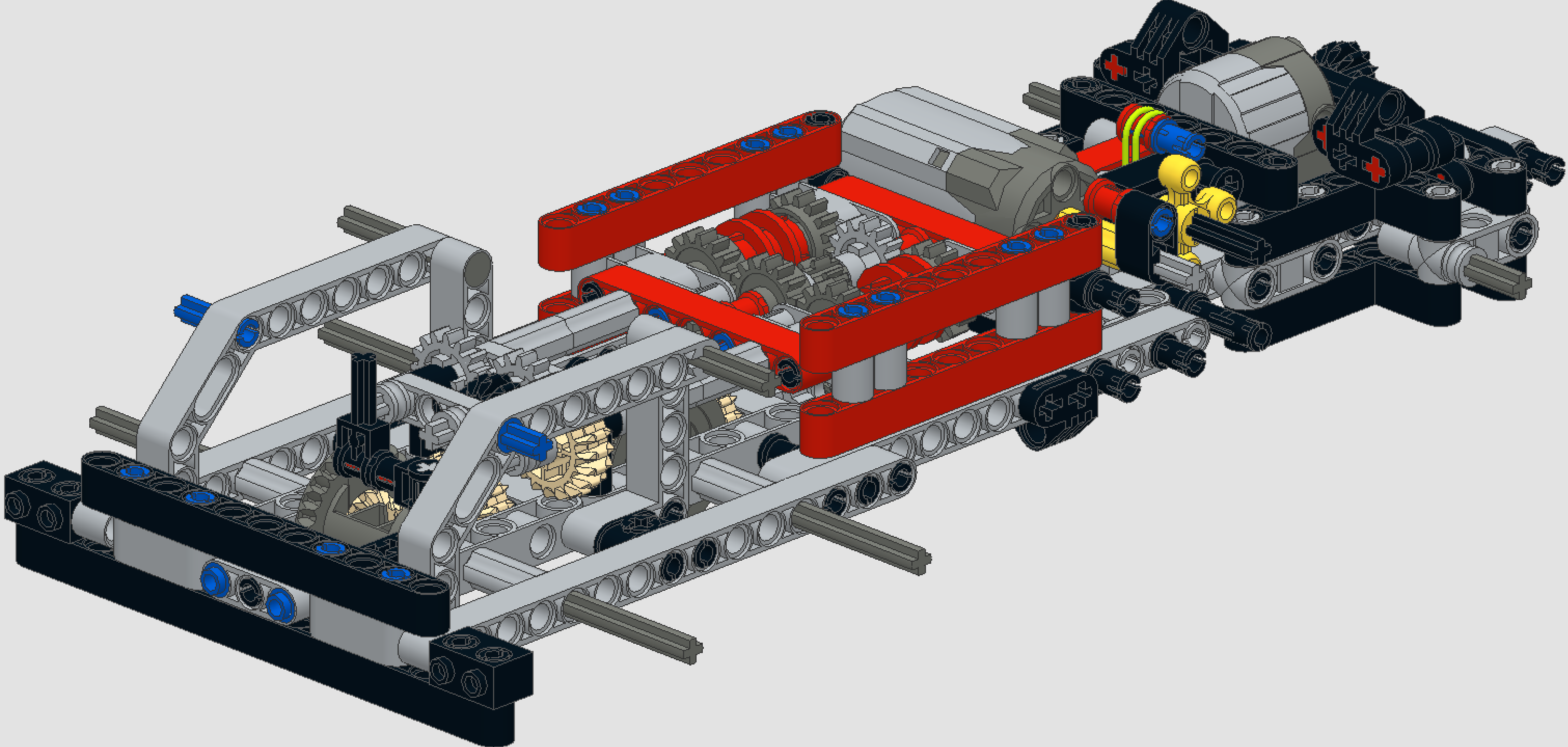


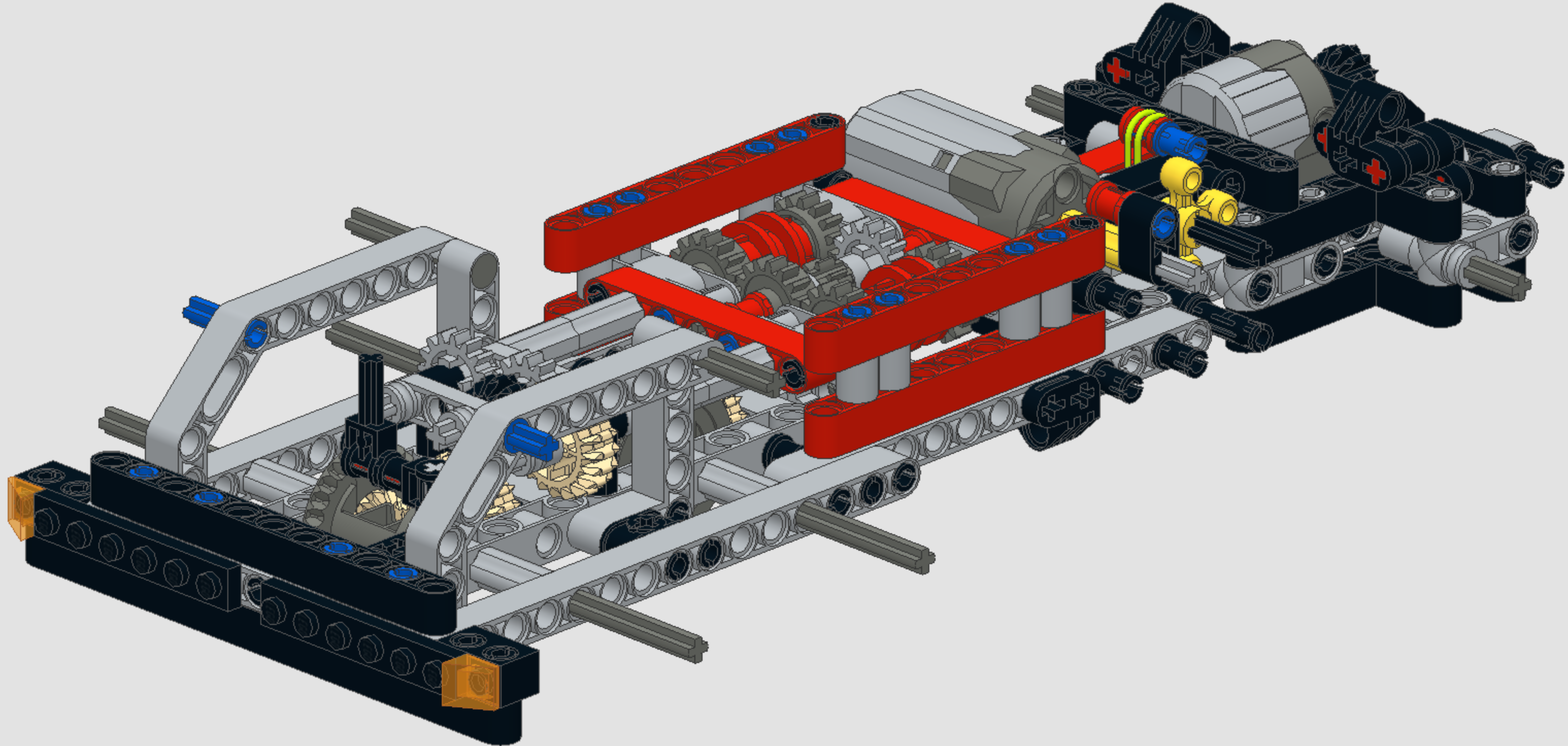
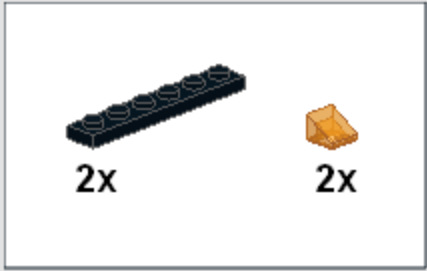


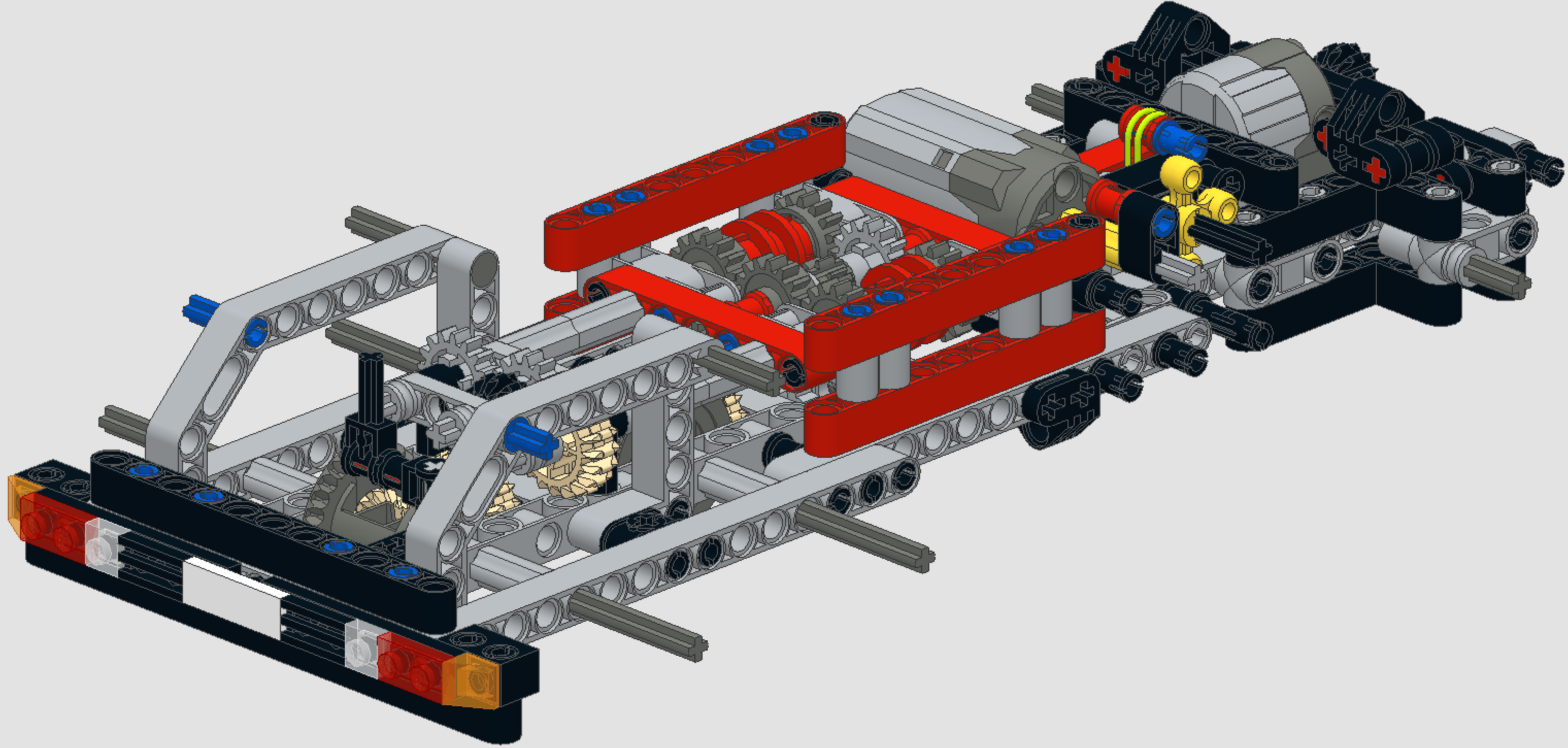
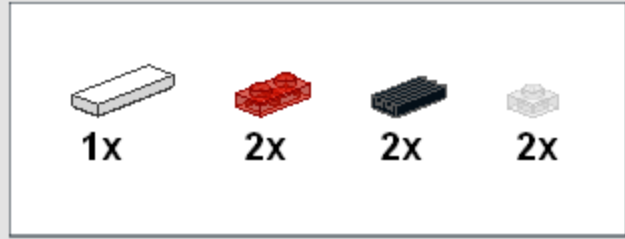


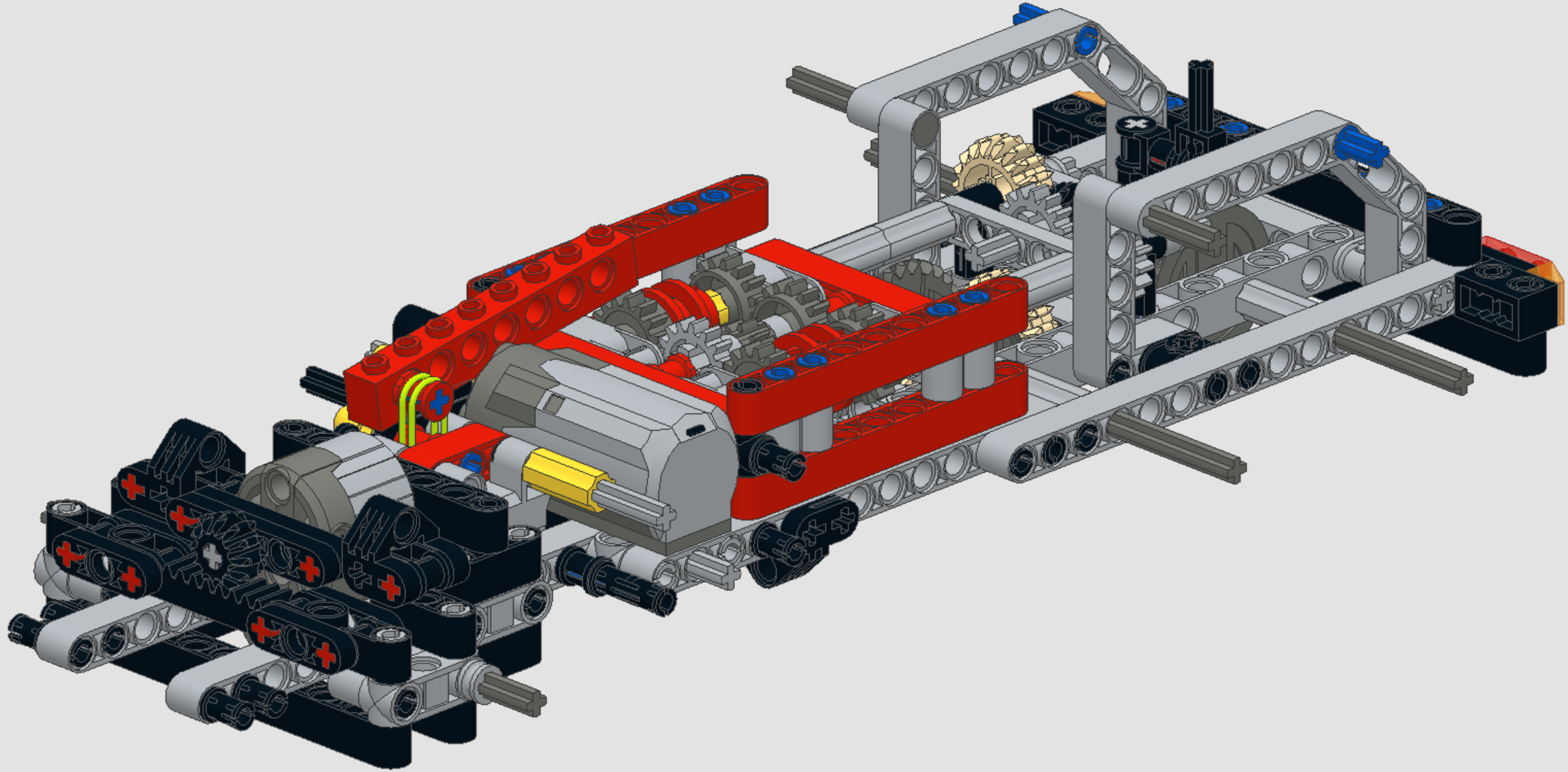
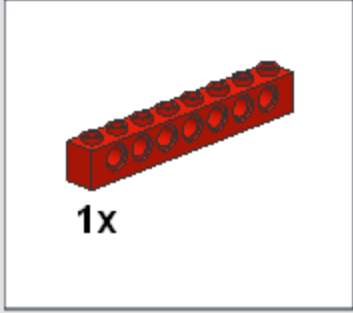


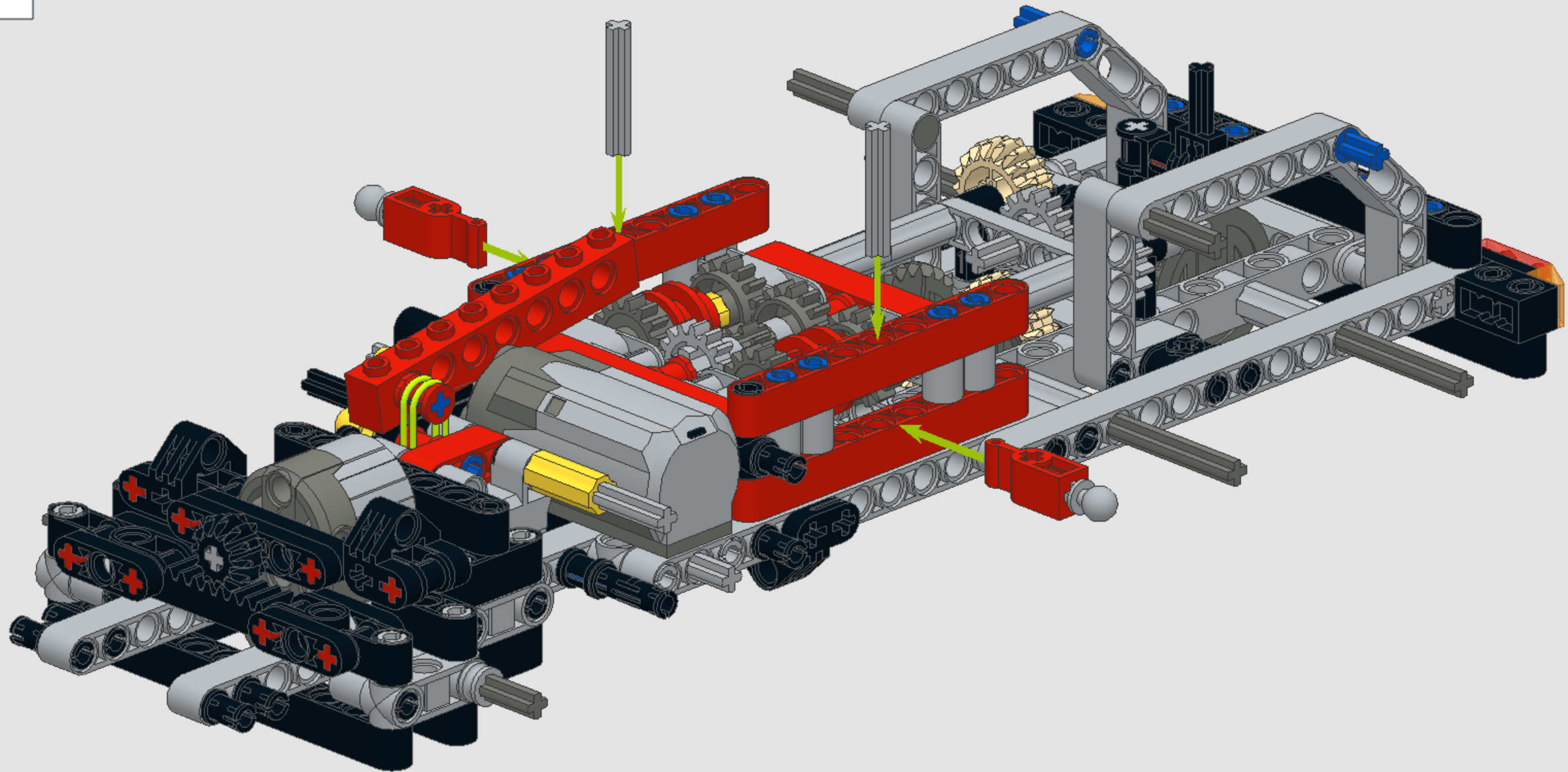
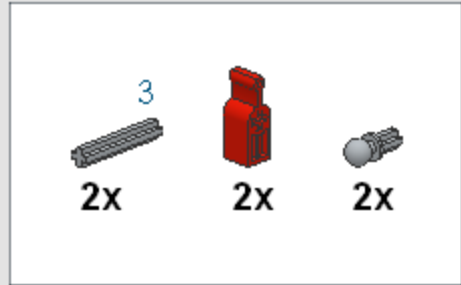




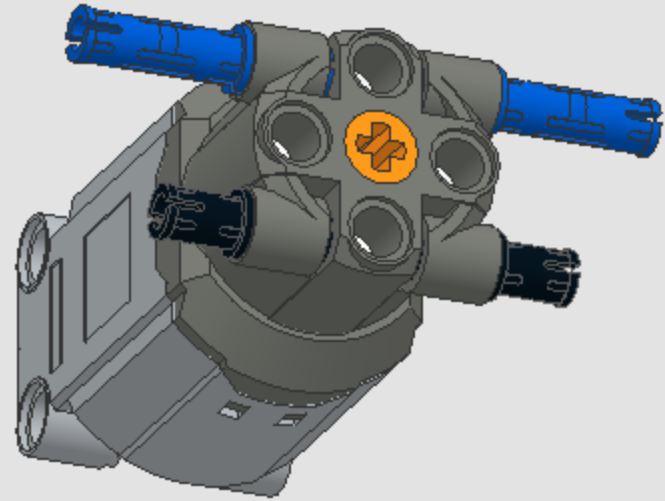
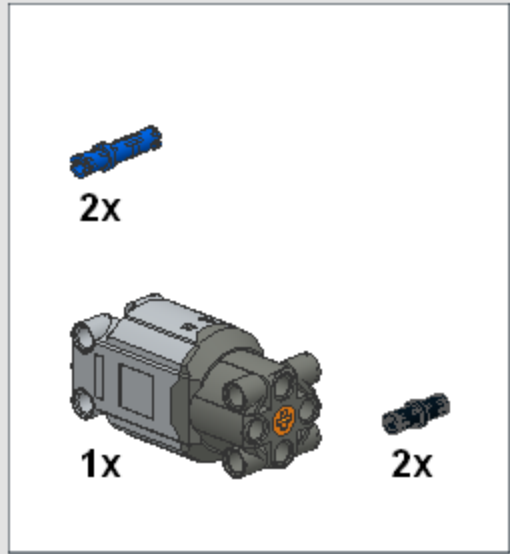




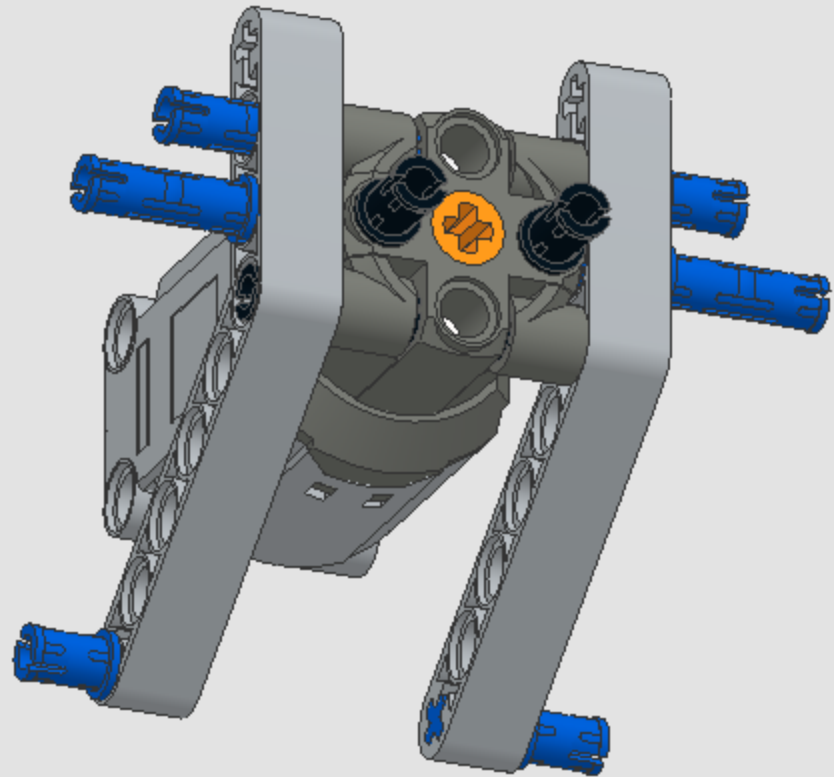
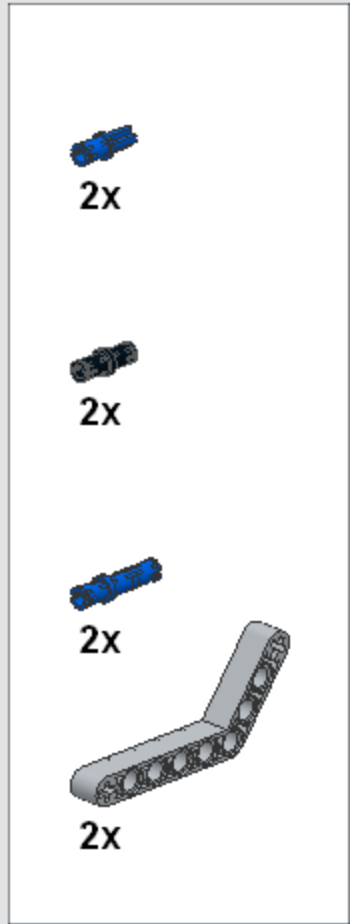




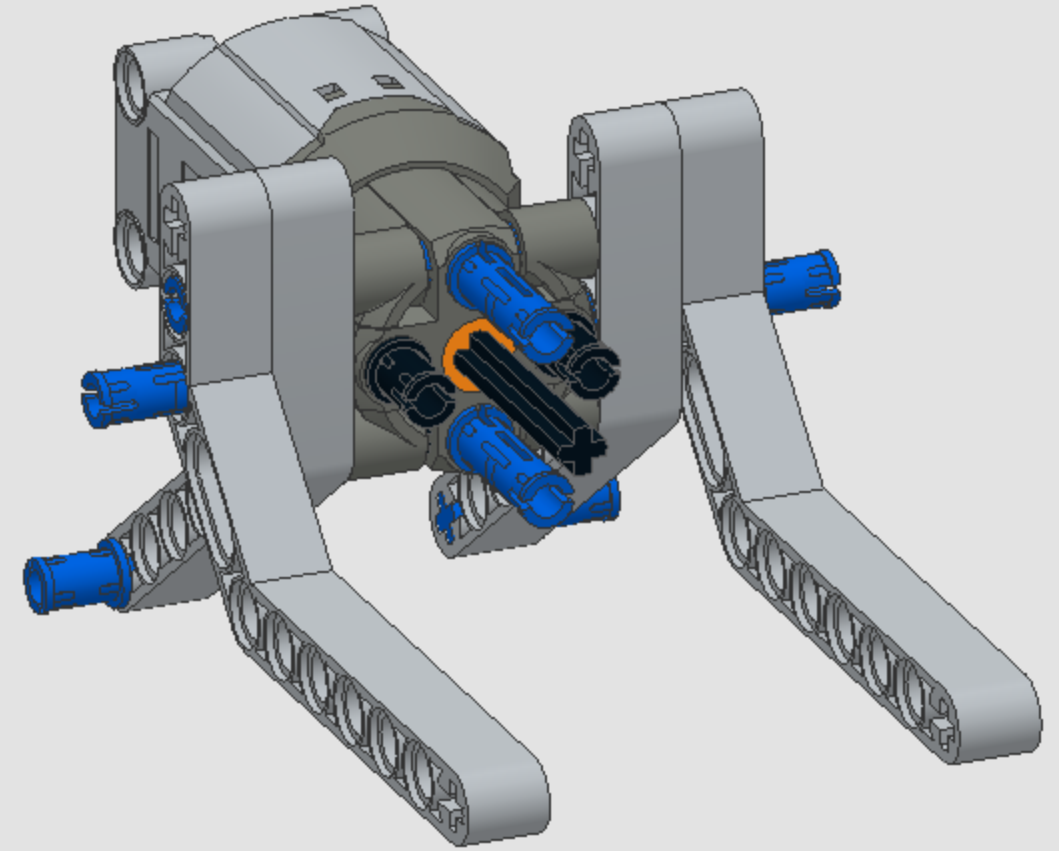
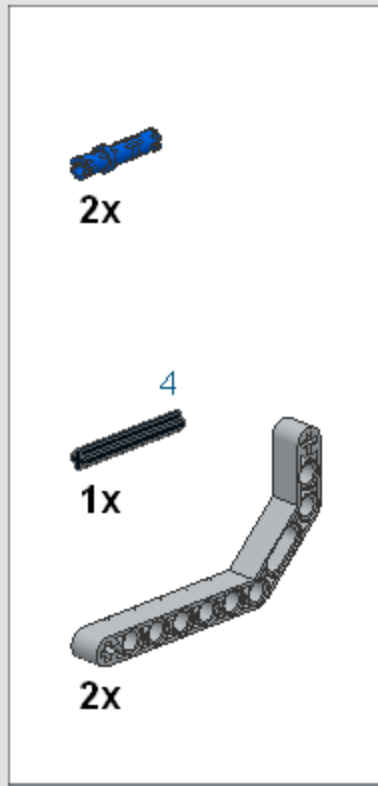
1



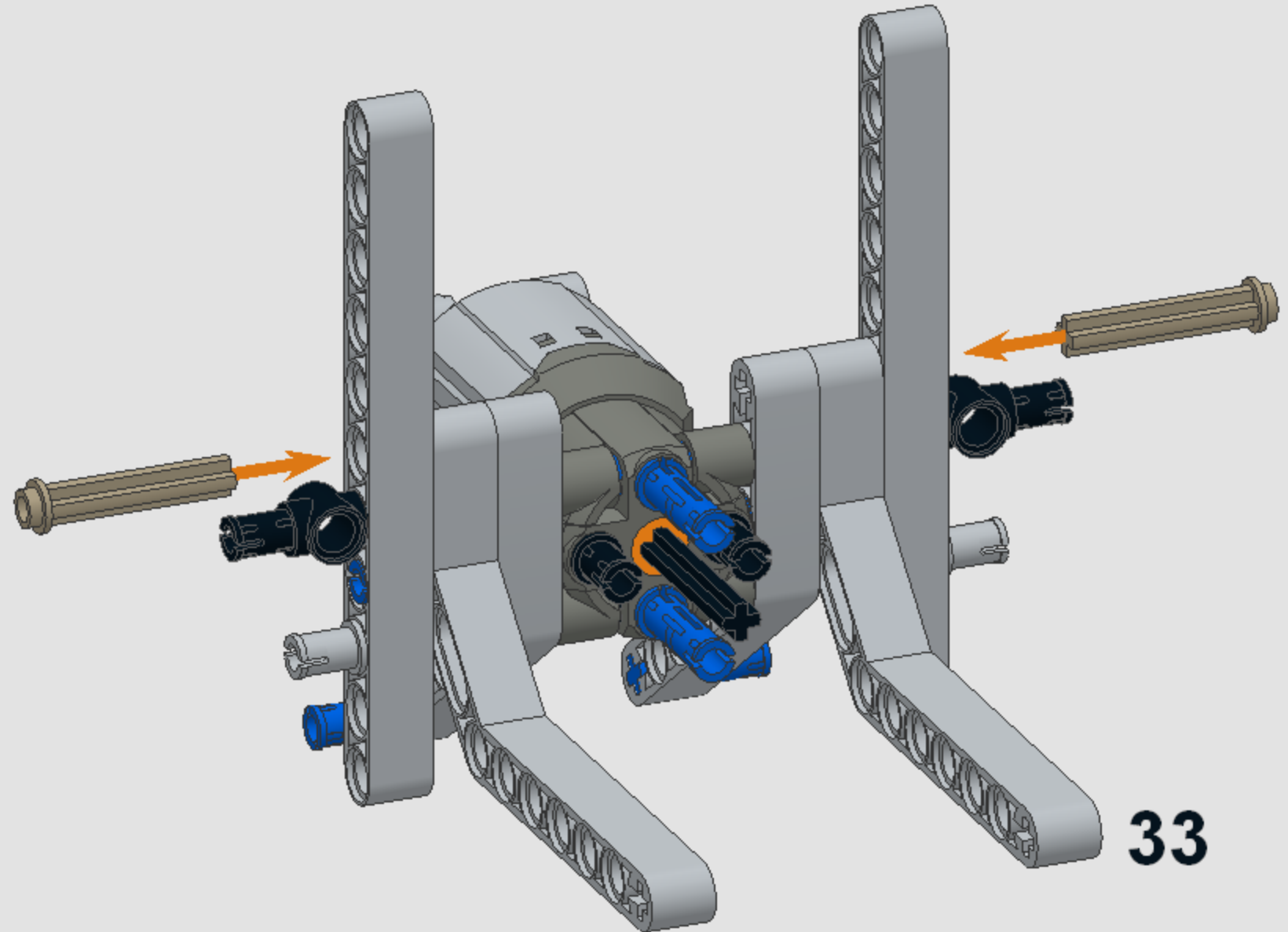
2



3

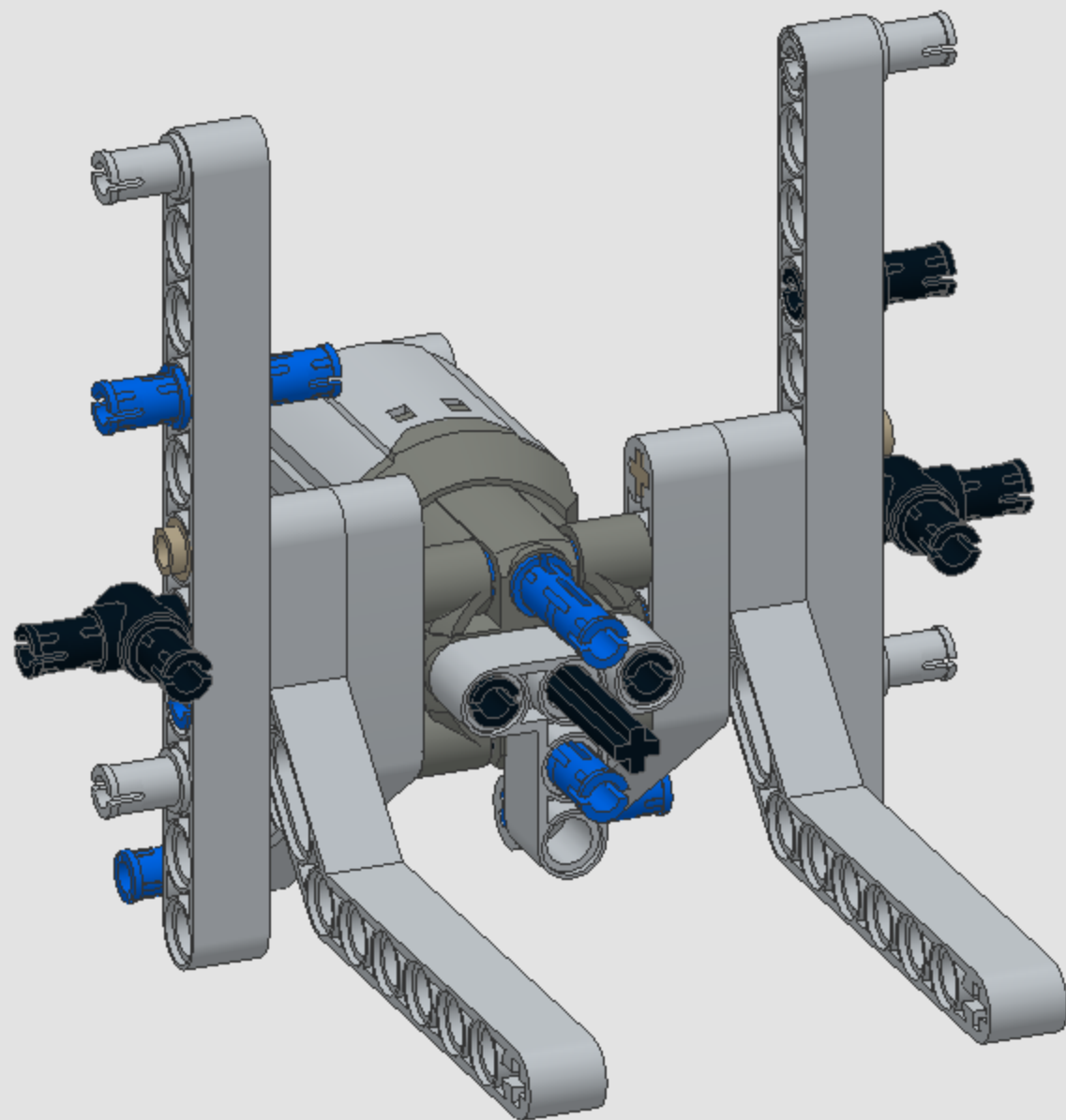


4



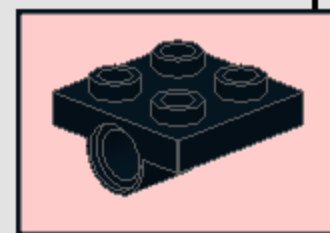
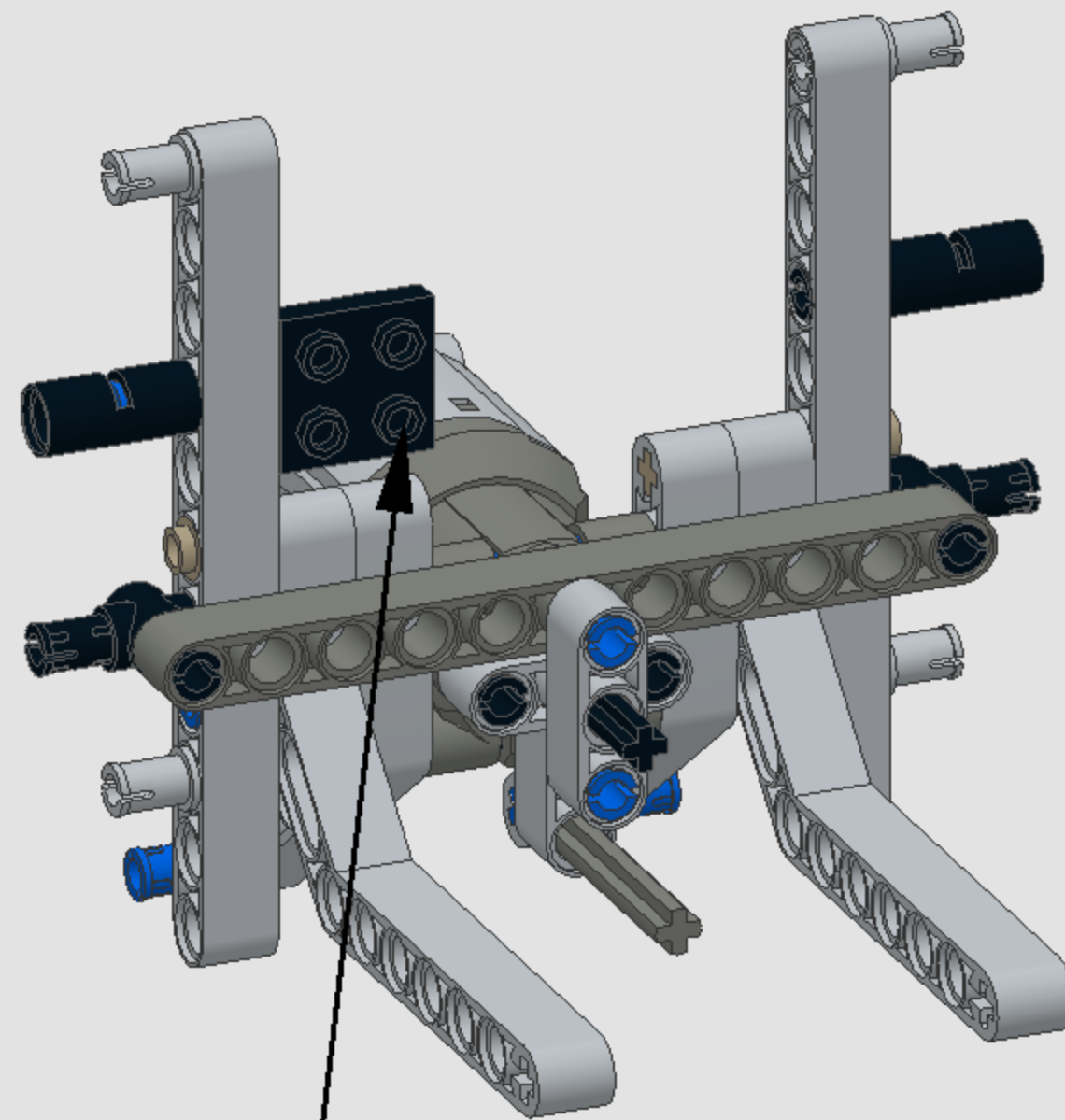
5

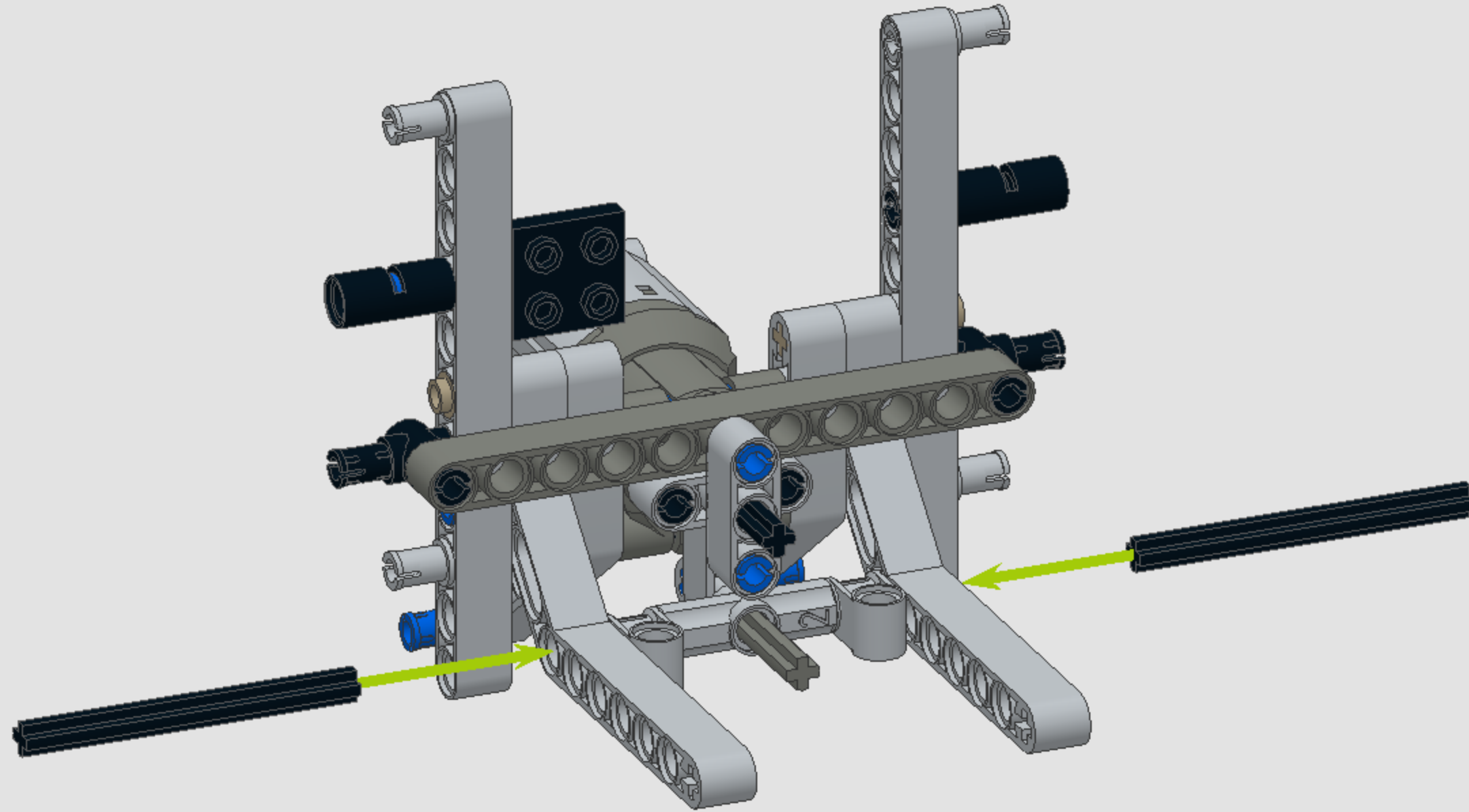
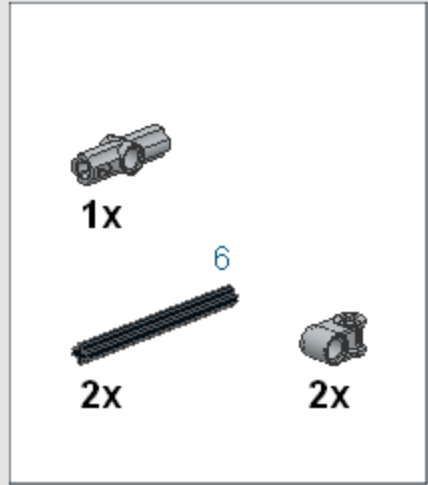
- 2x
- 3x
- 1x
- 1x

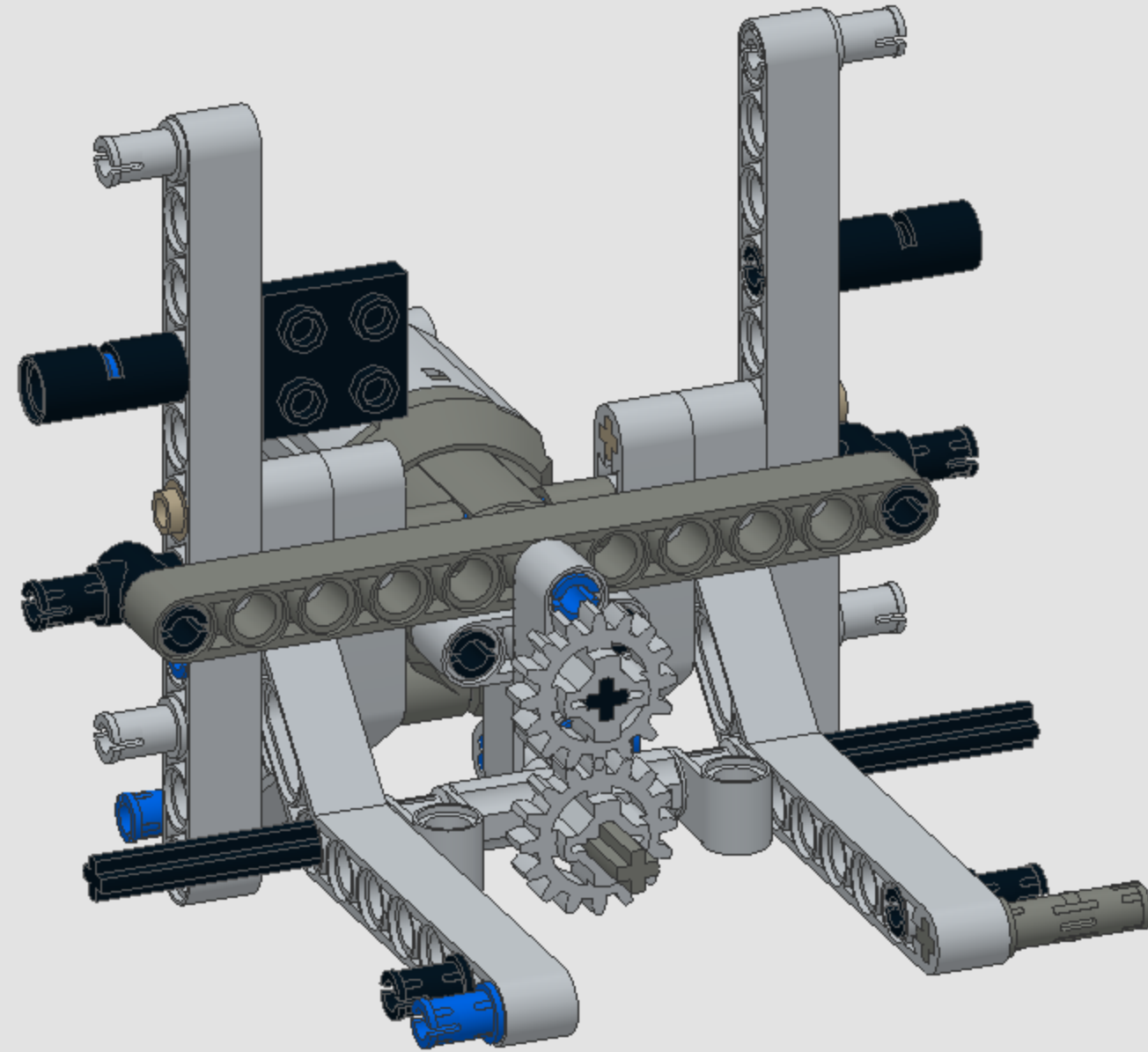


6

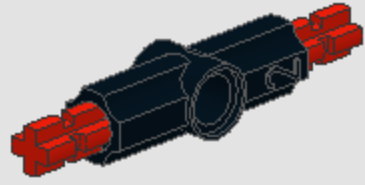
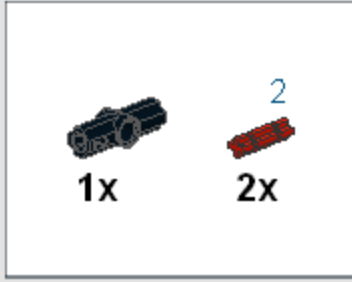
- 2x
- 3
1x
- 1x
- 4
1x
- 11
1x



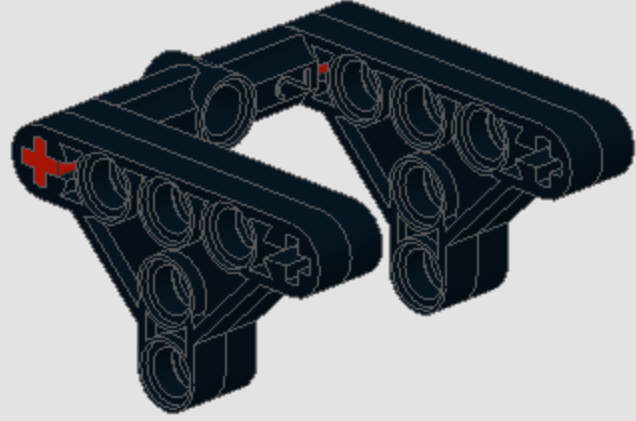




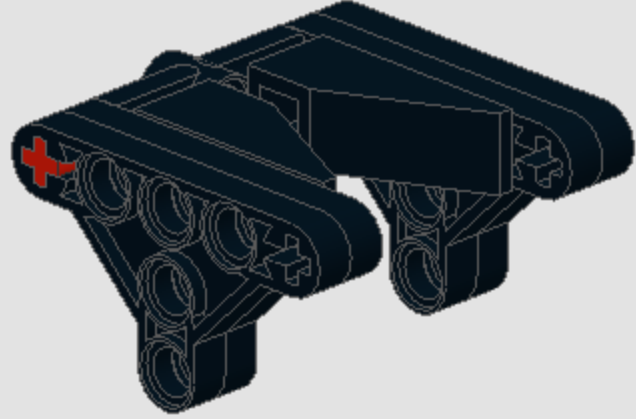
1



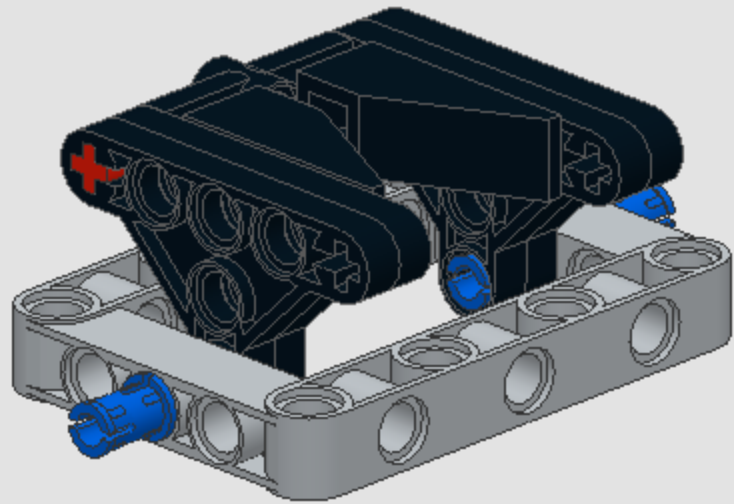
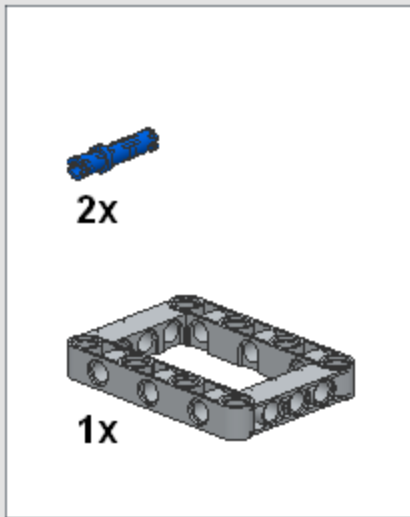
2



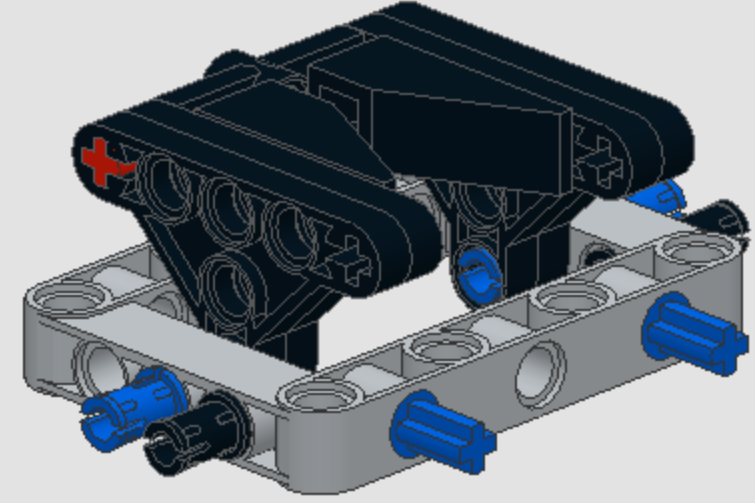
3



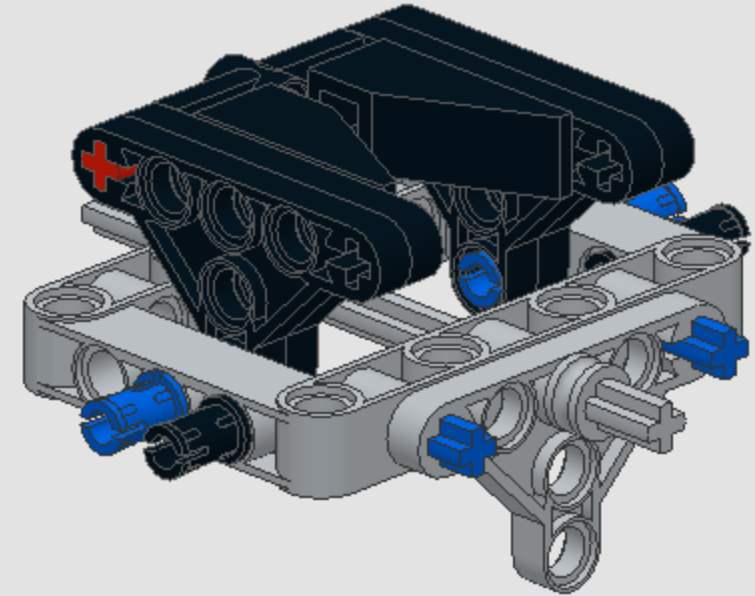
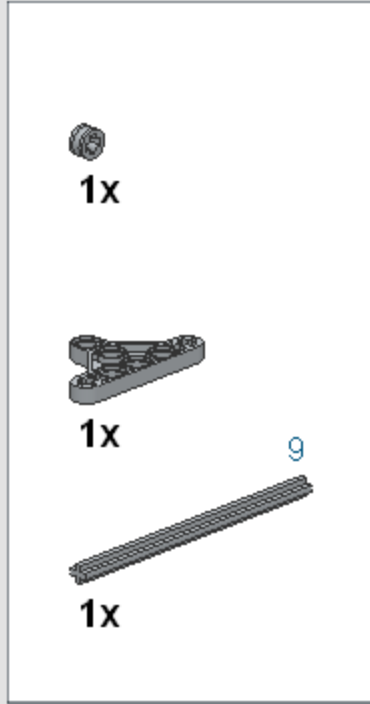
4



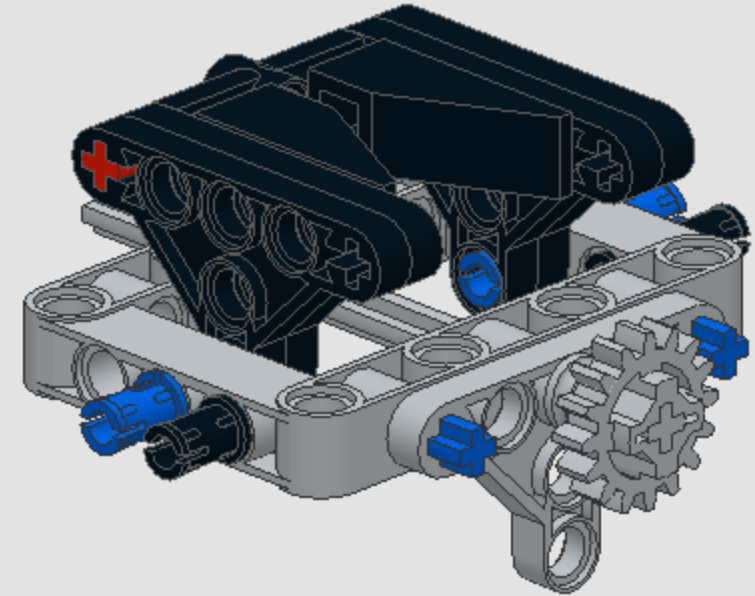
5



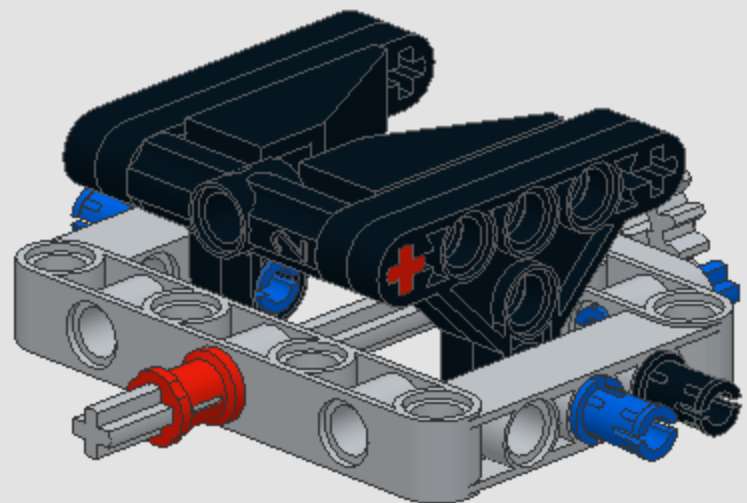
6



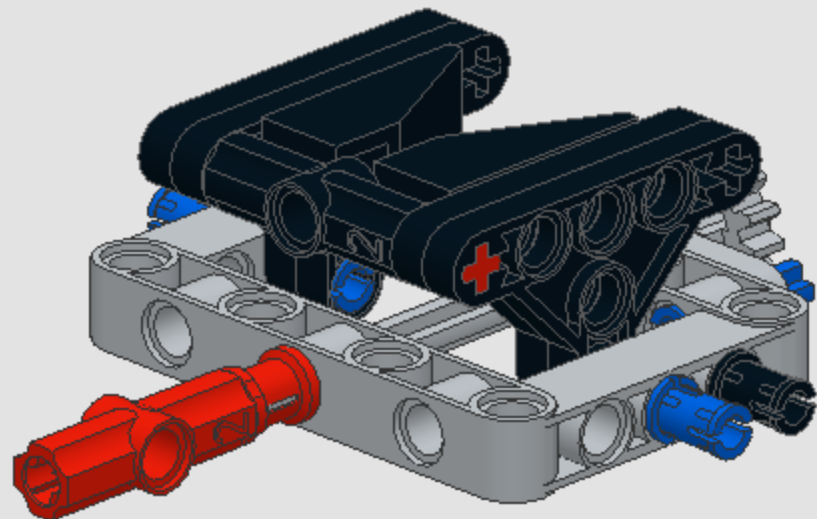
7



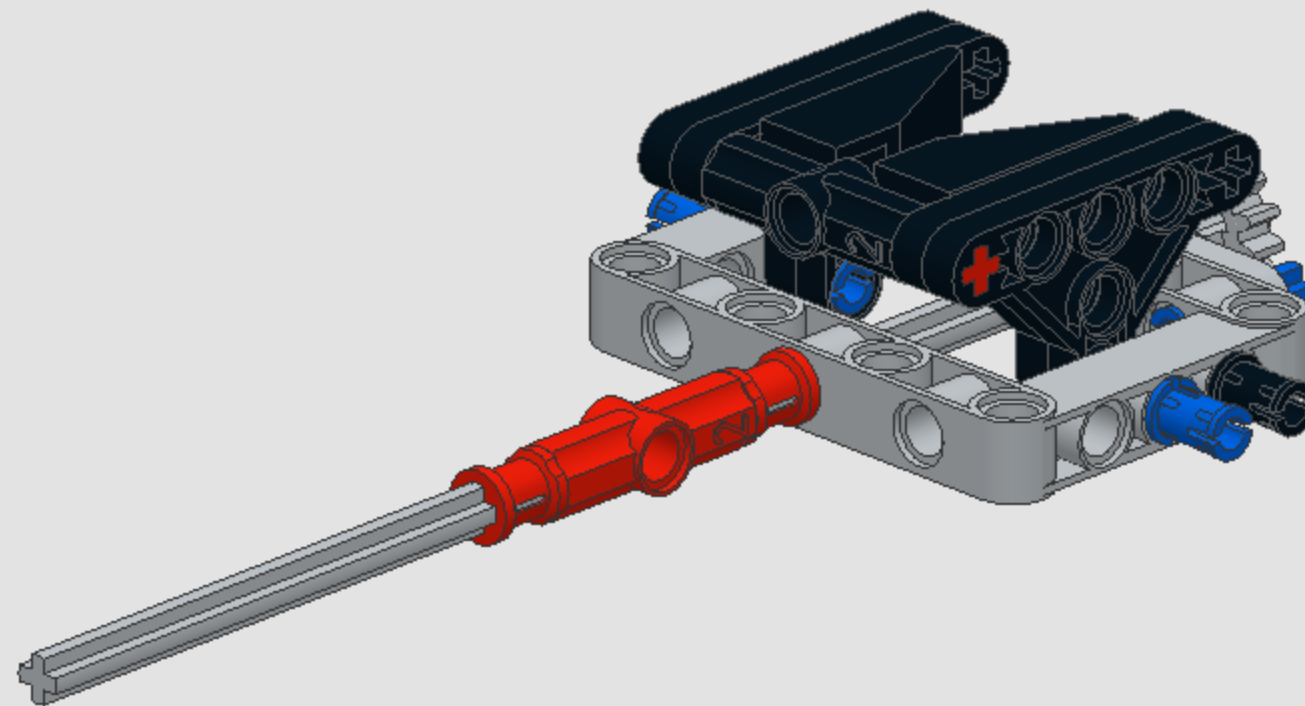
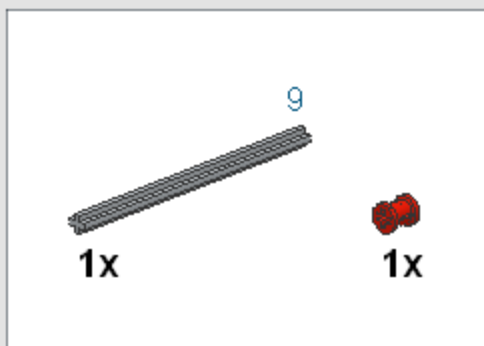
8



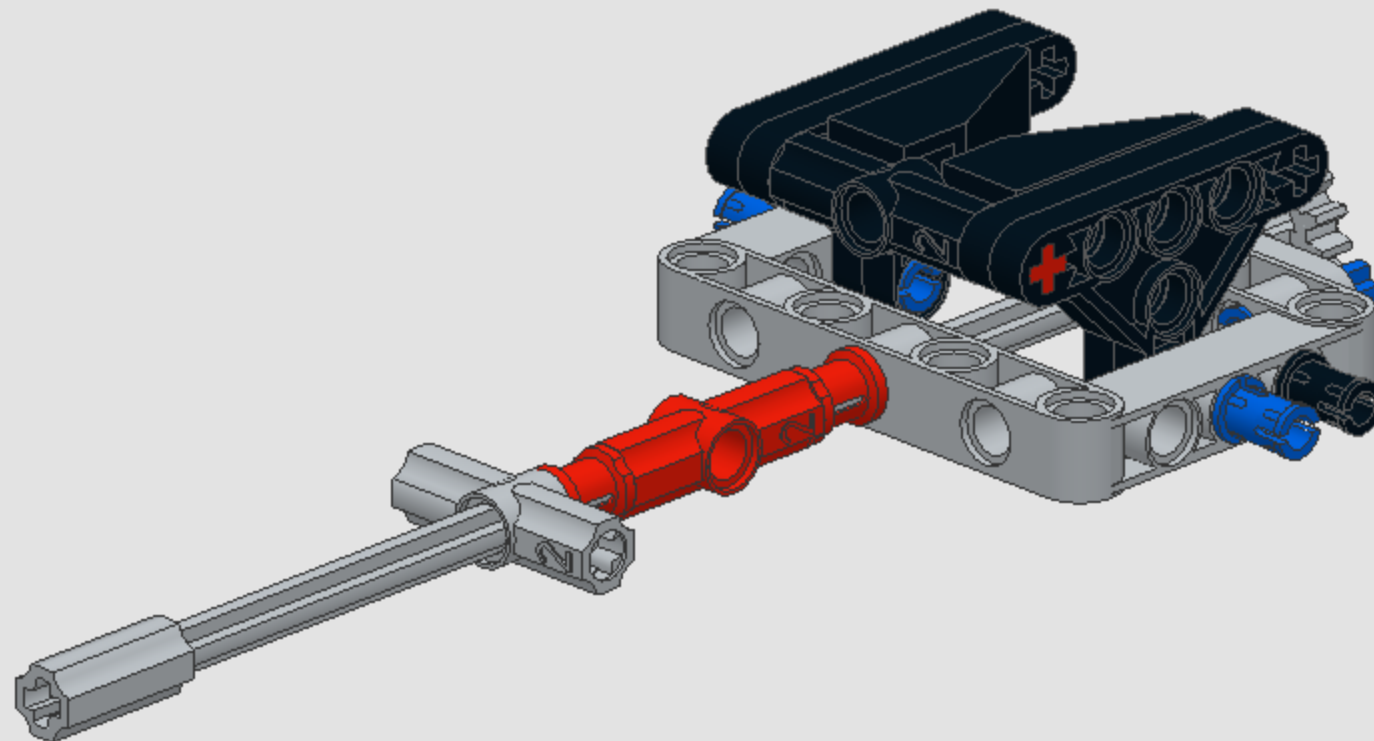
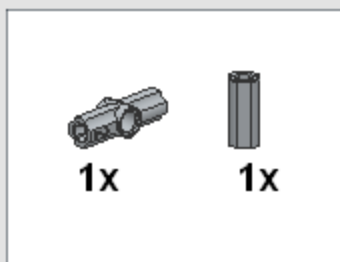
9

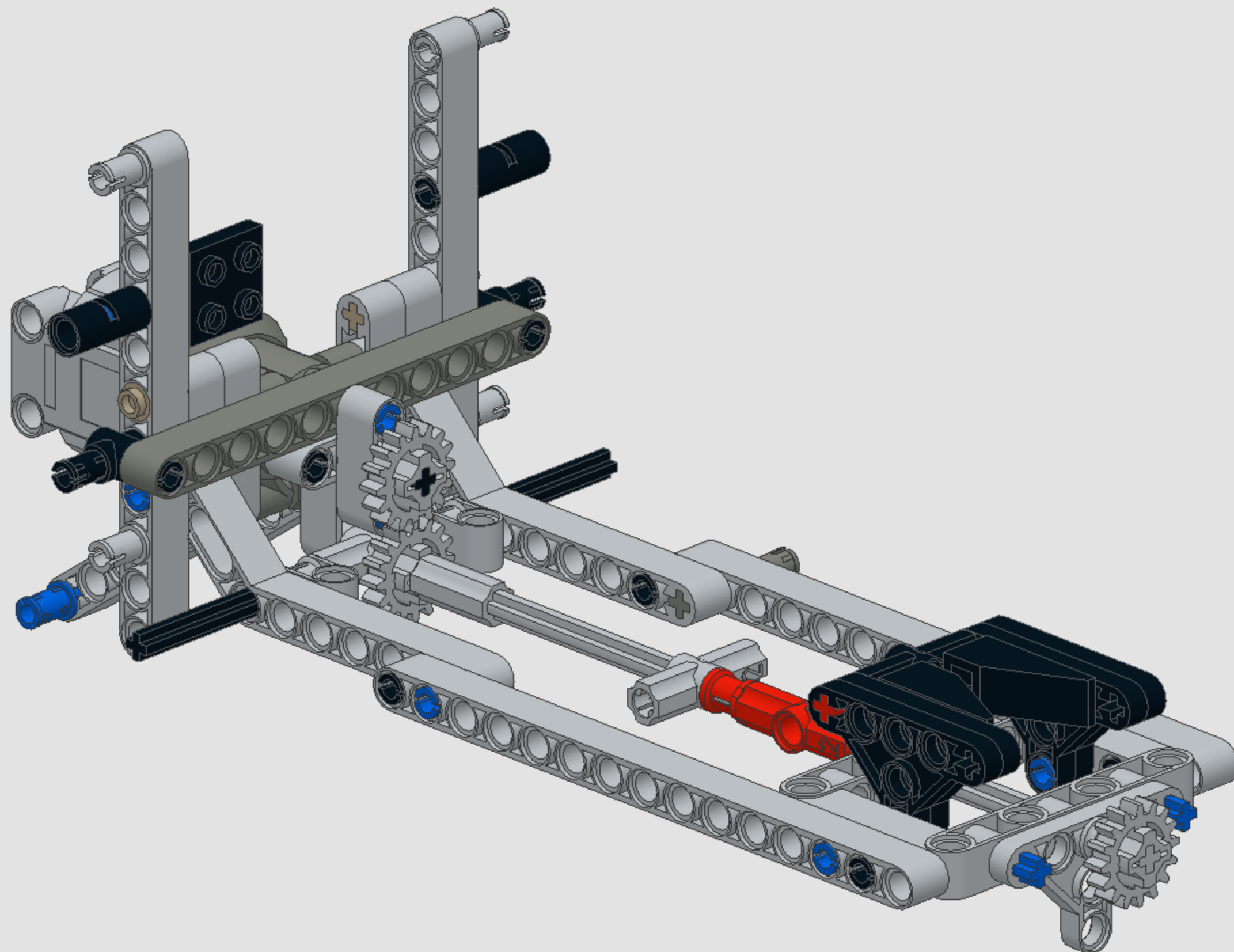
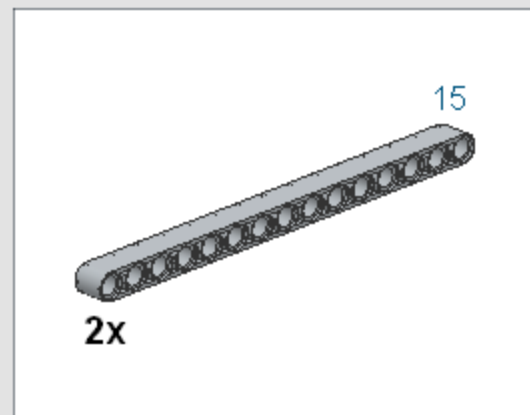


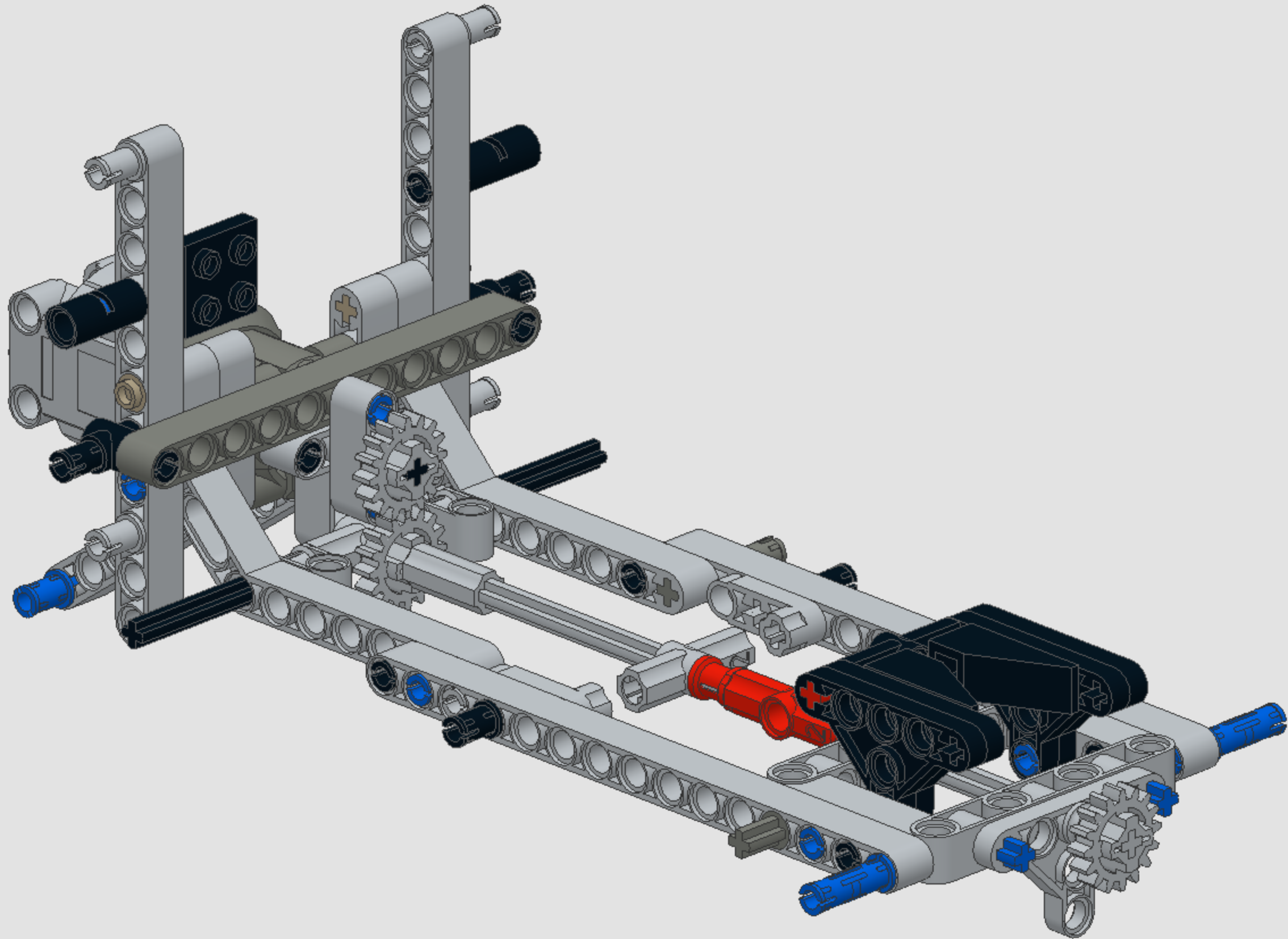
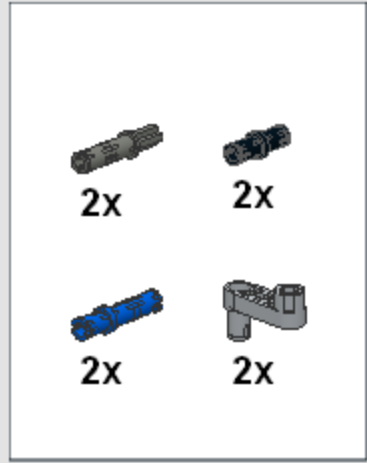
10

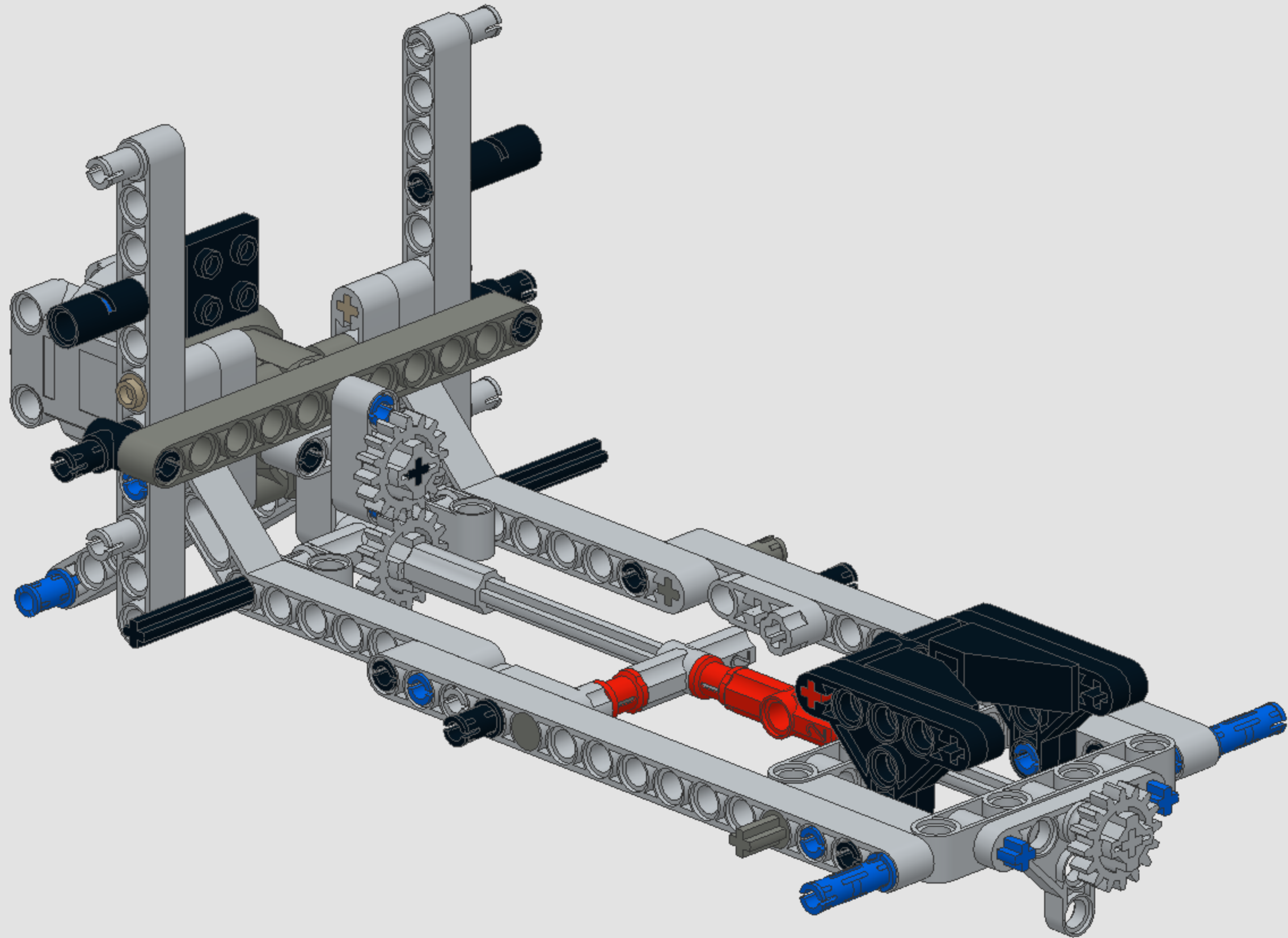
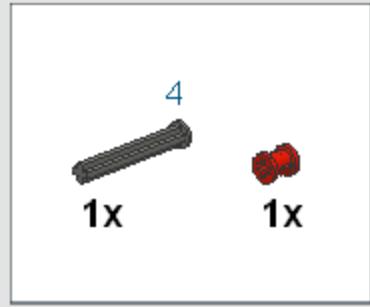


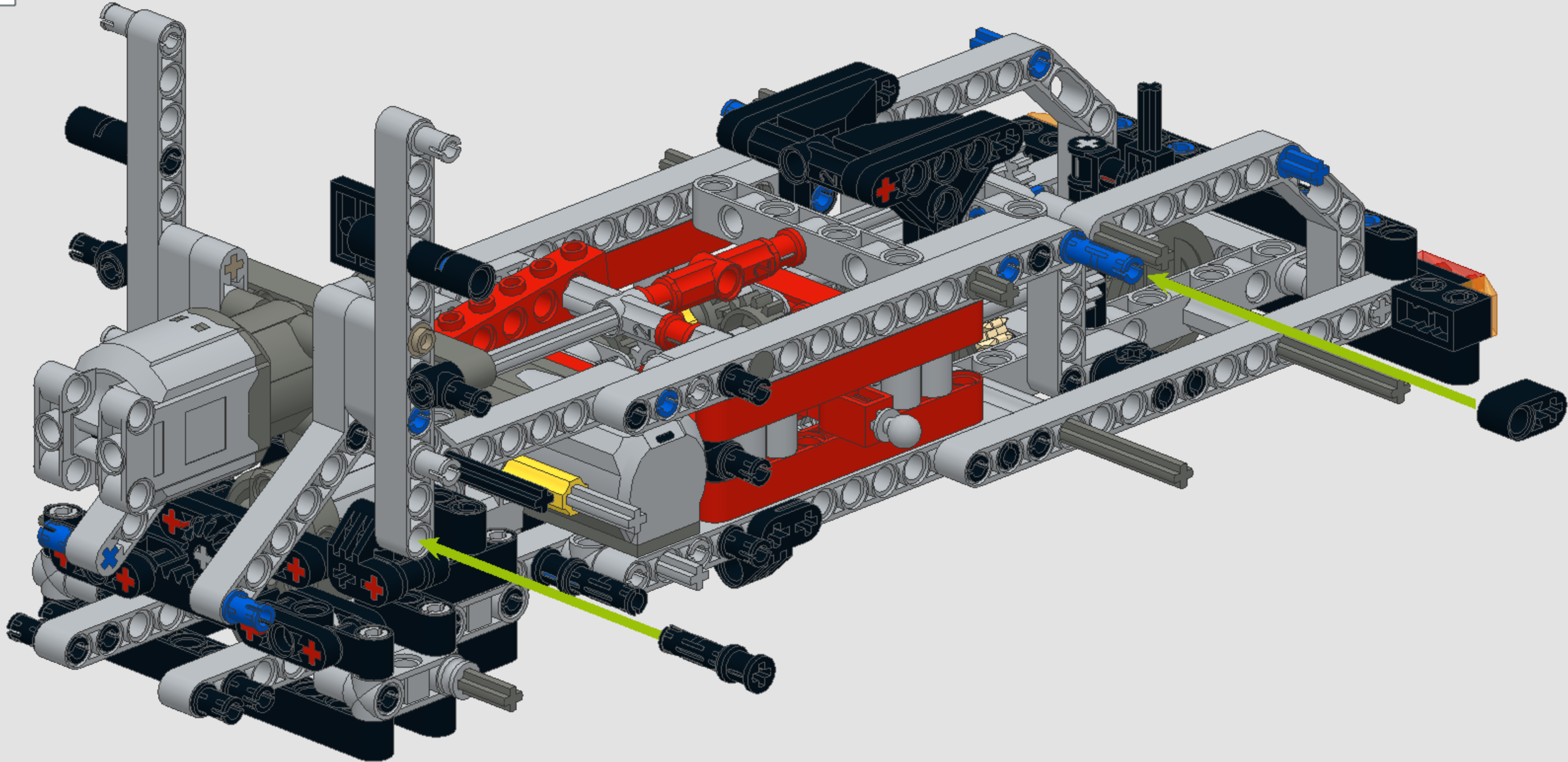
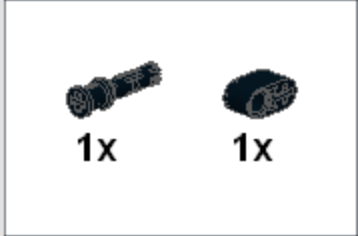
11

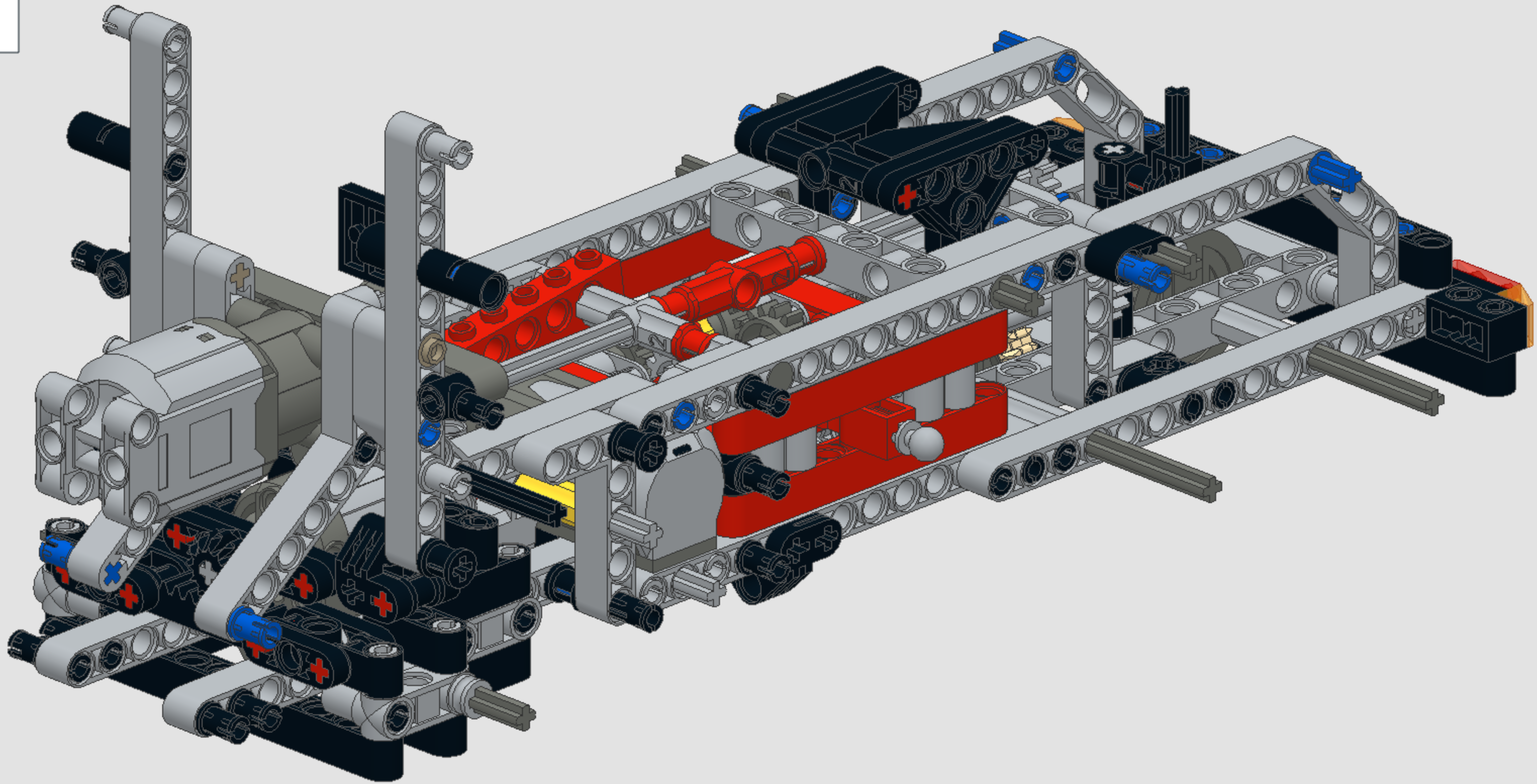
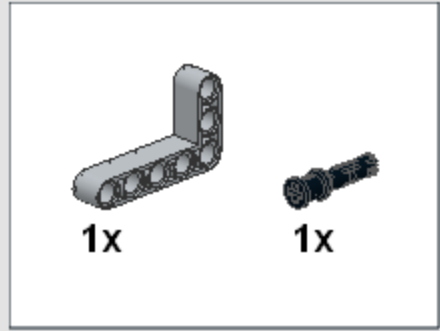


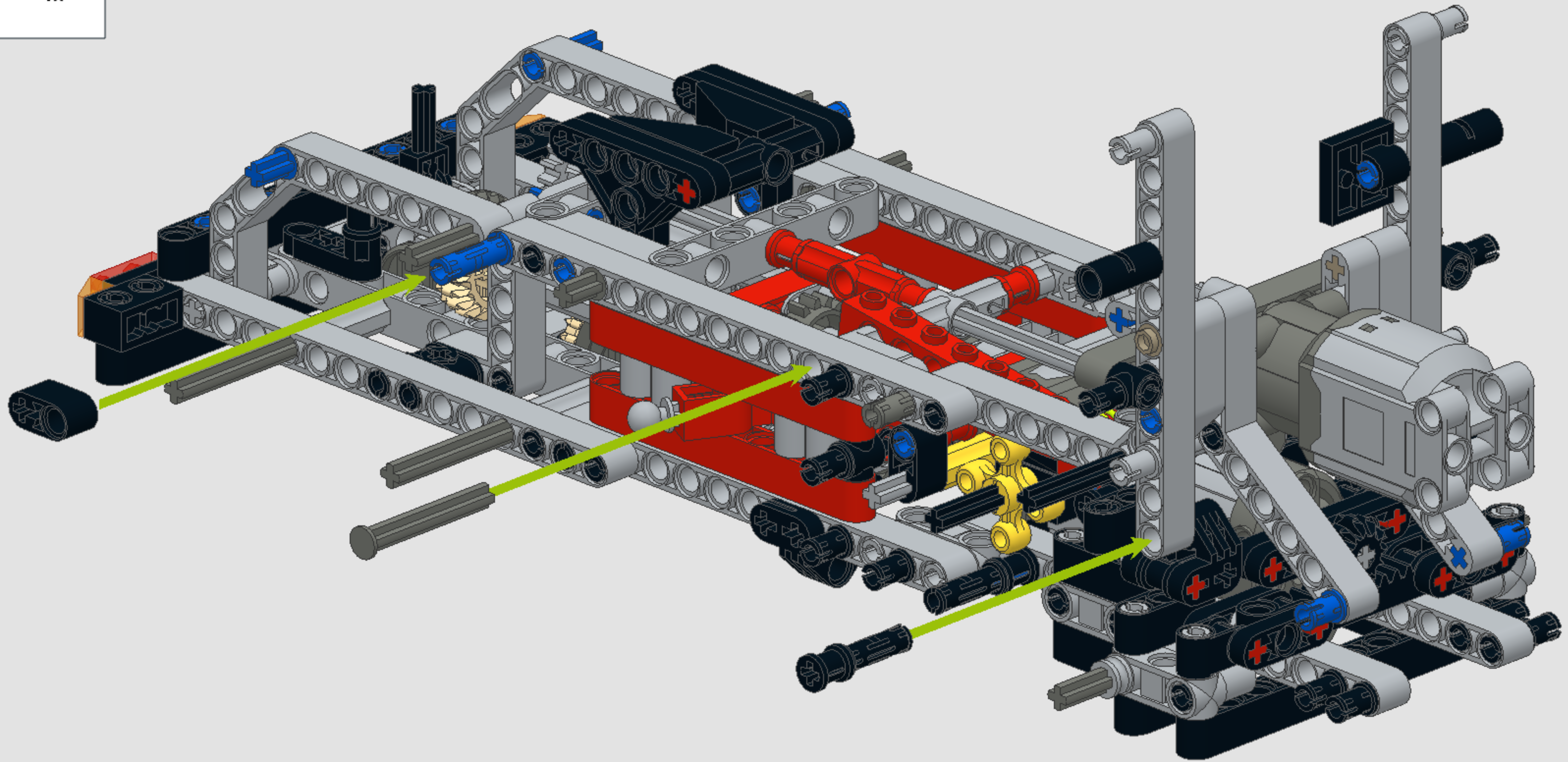
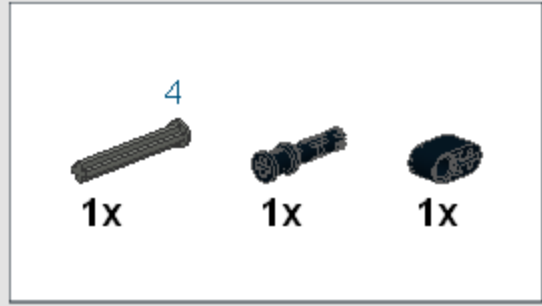




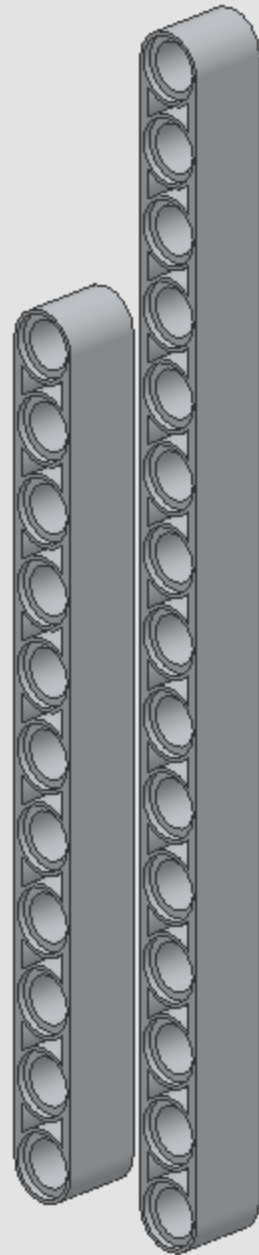
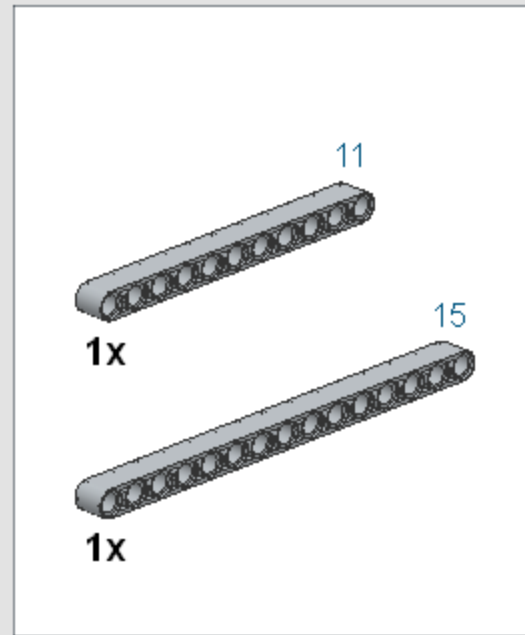




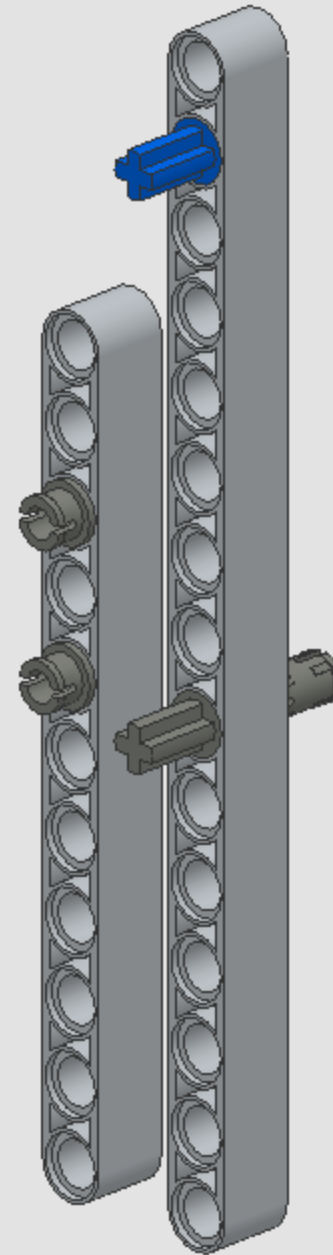




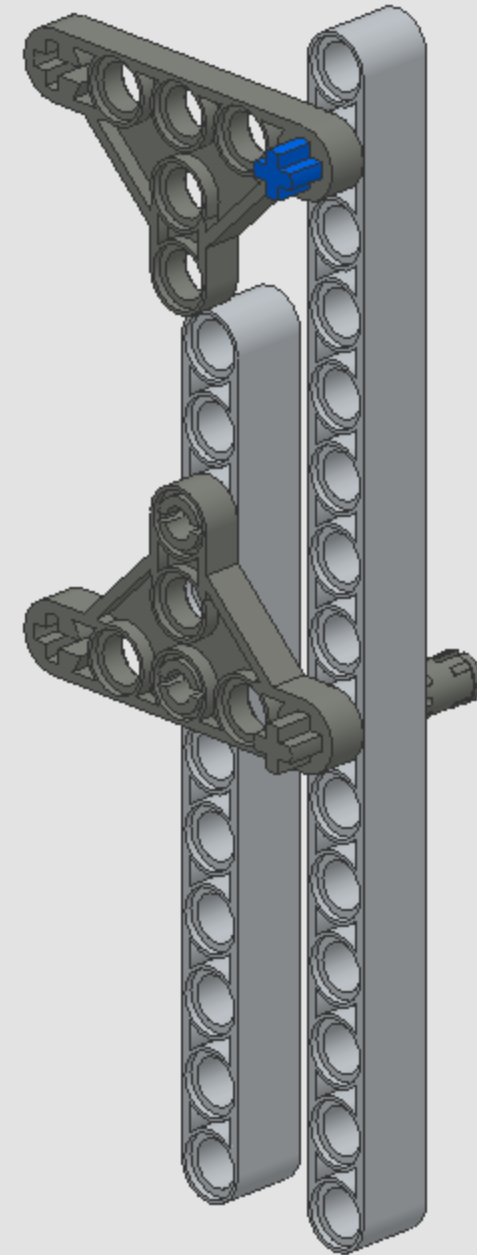
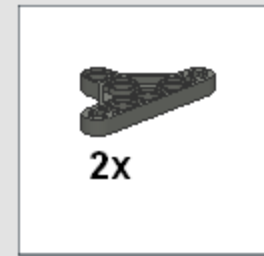
1

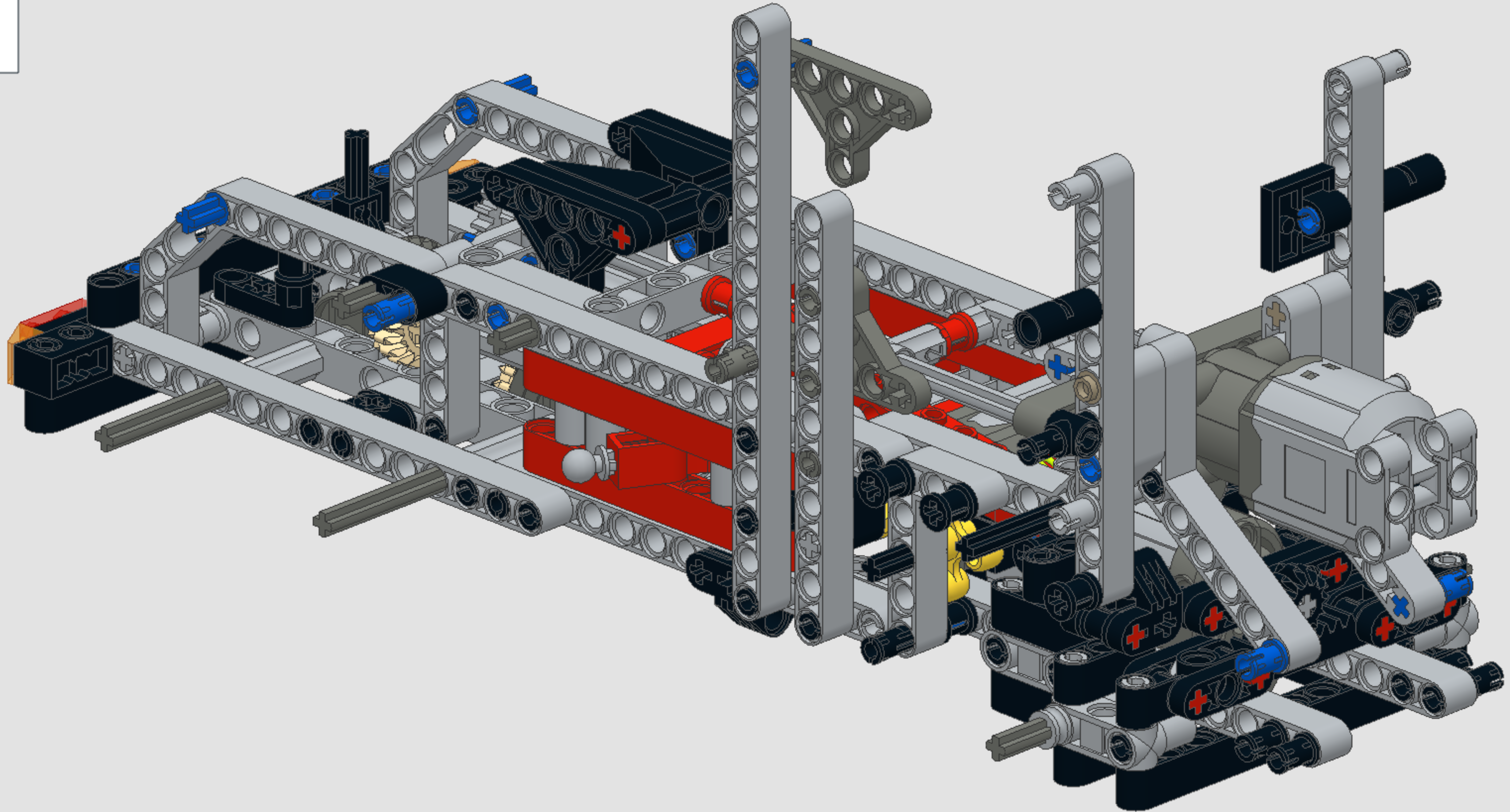
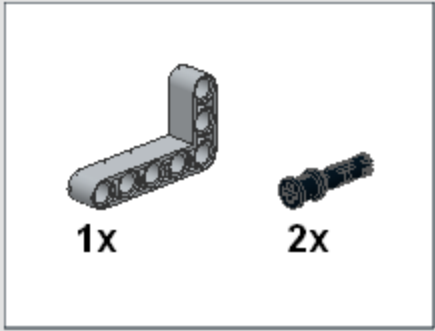




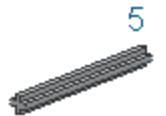

2

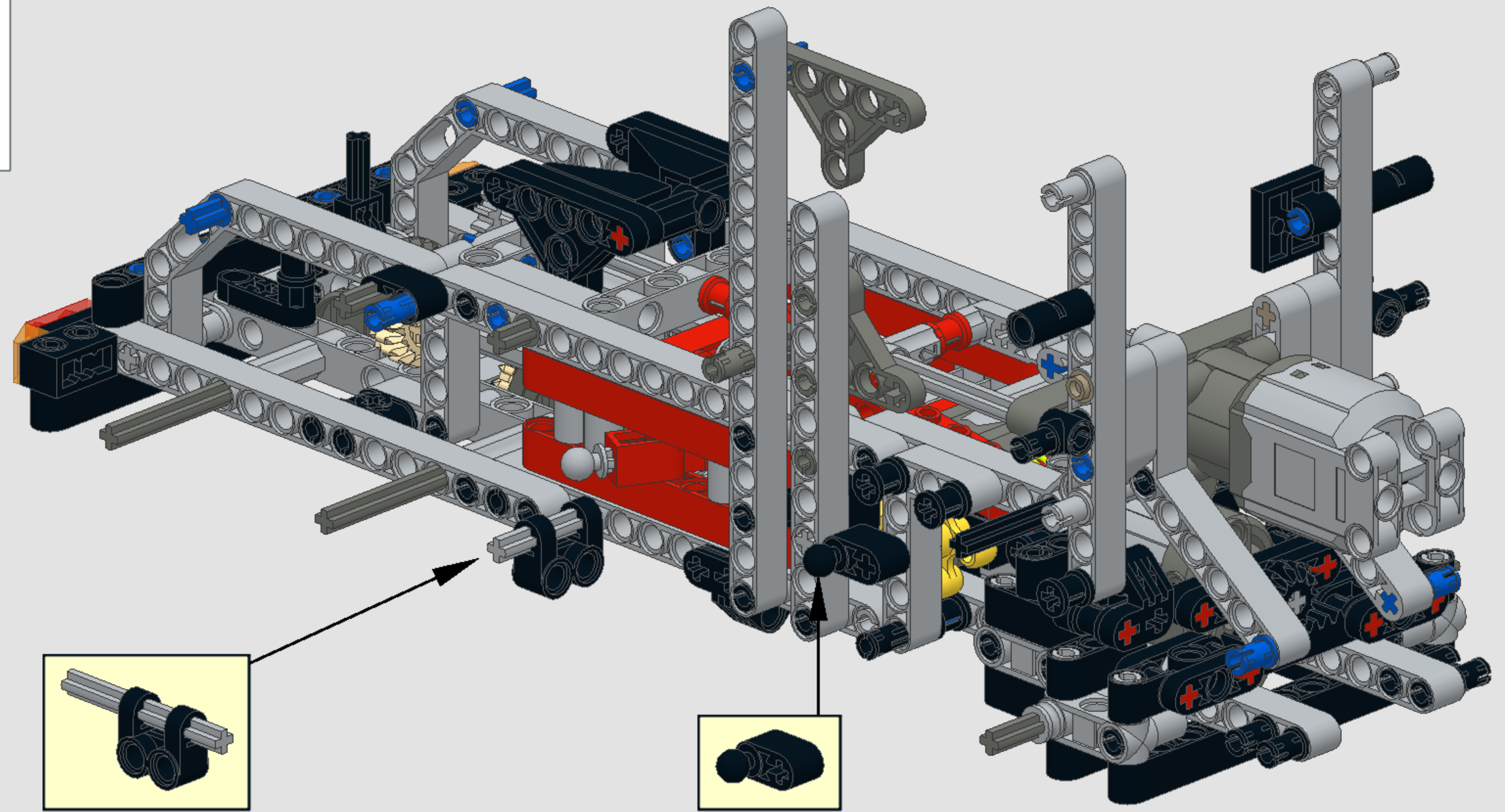


3

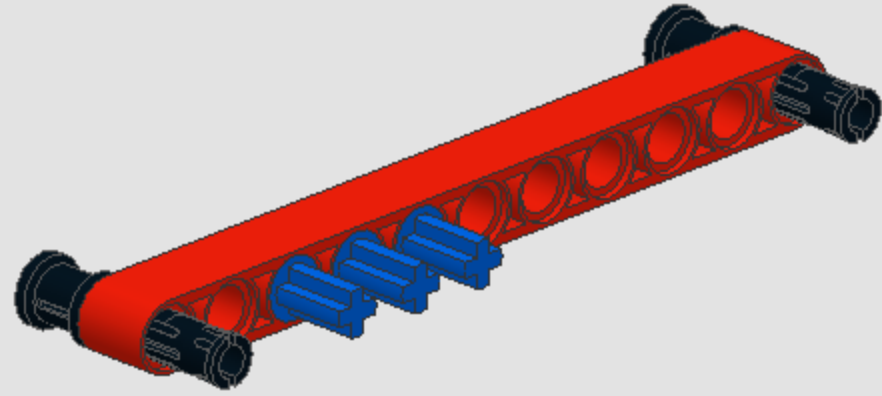
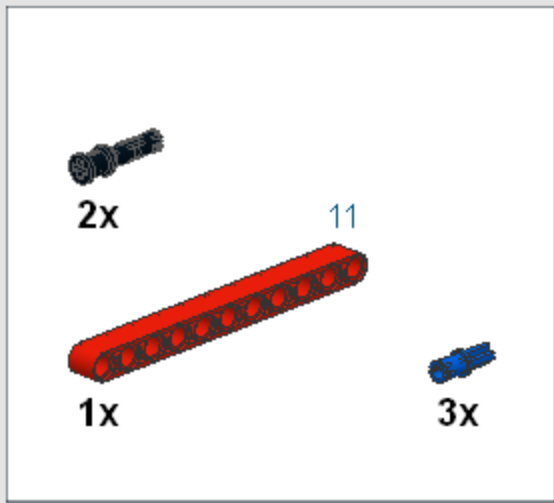




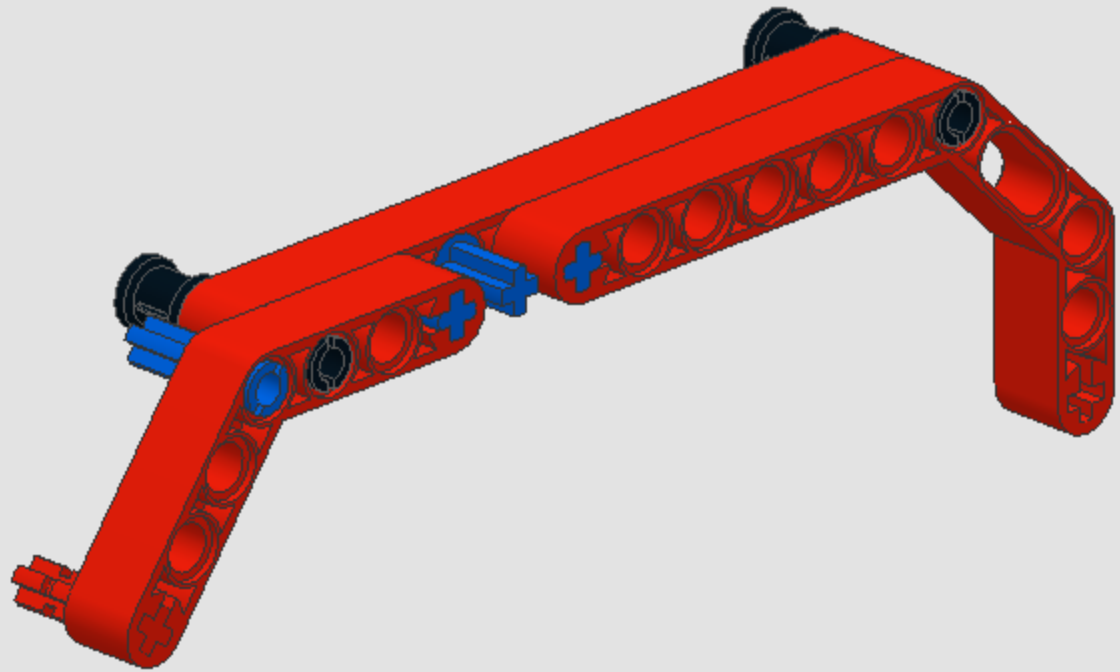
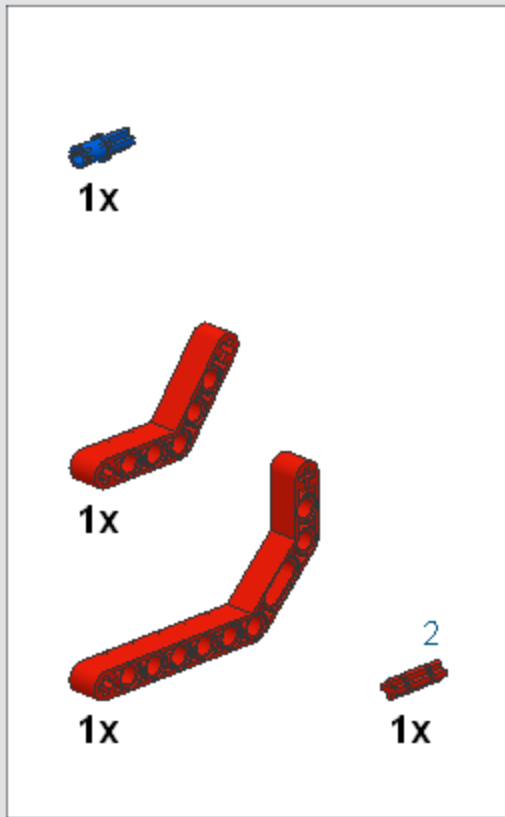
-  1x
-  1x
-  5
-  1x



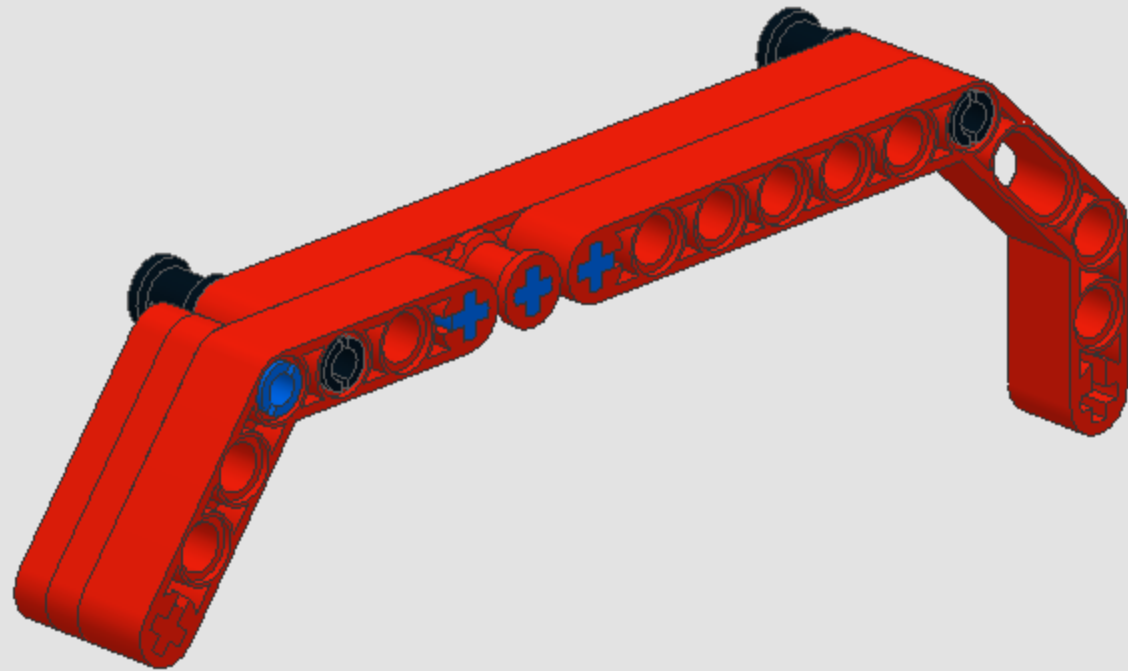
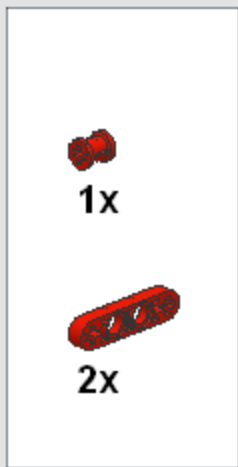
1

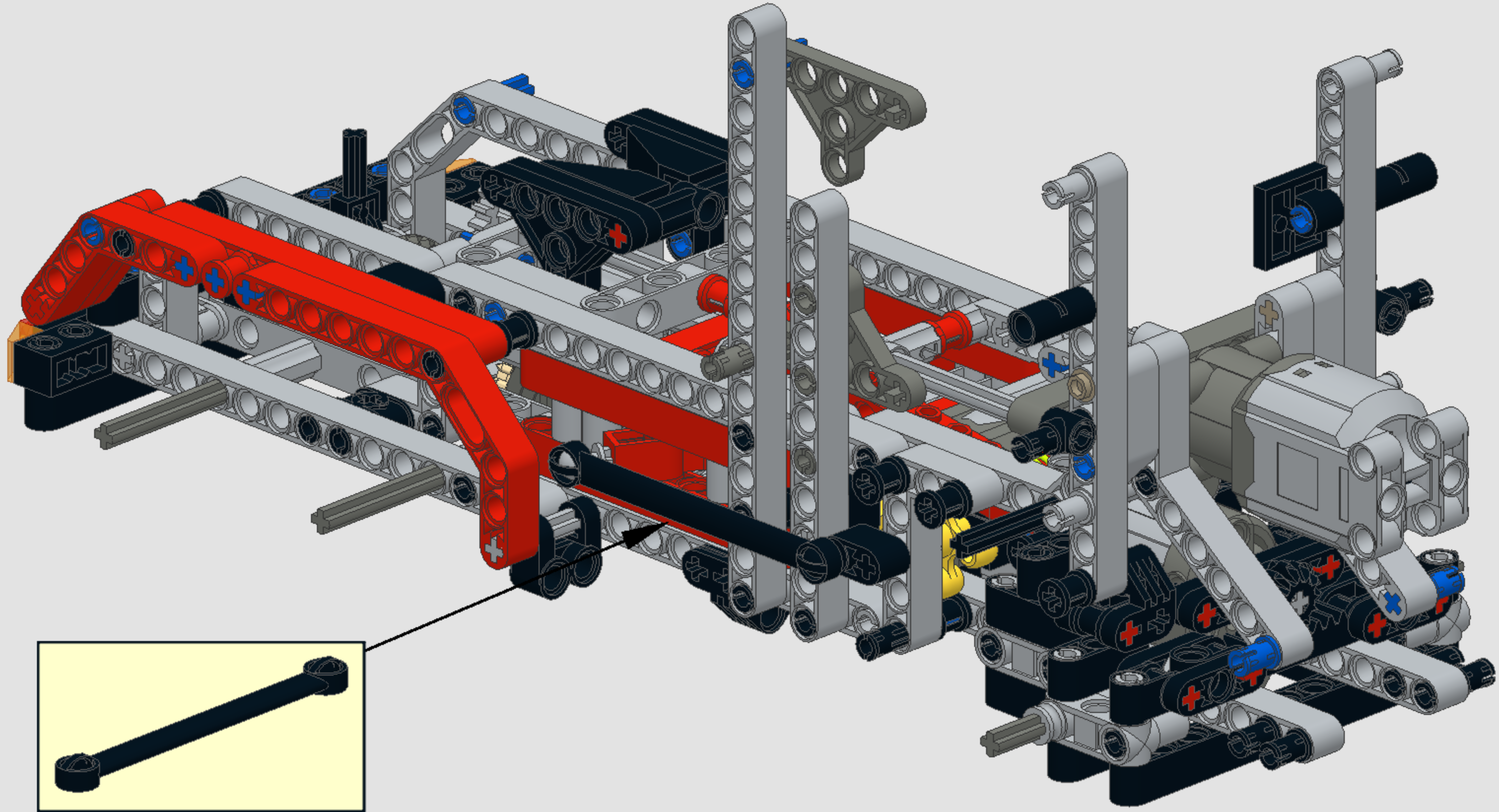
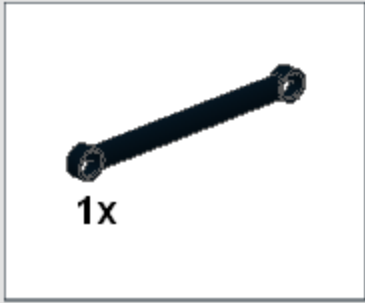


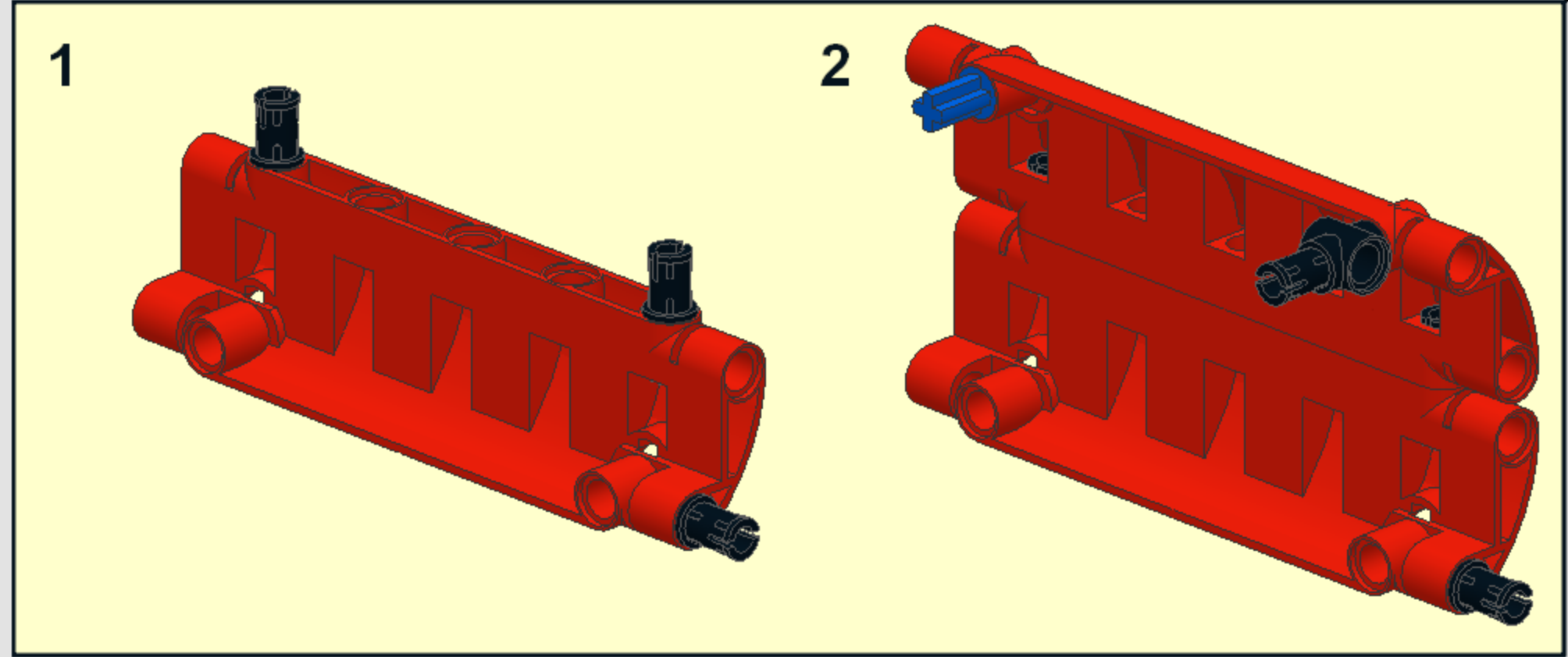
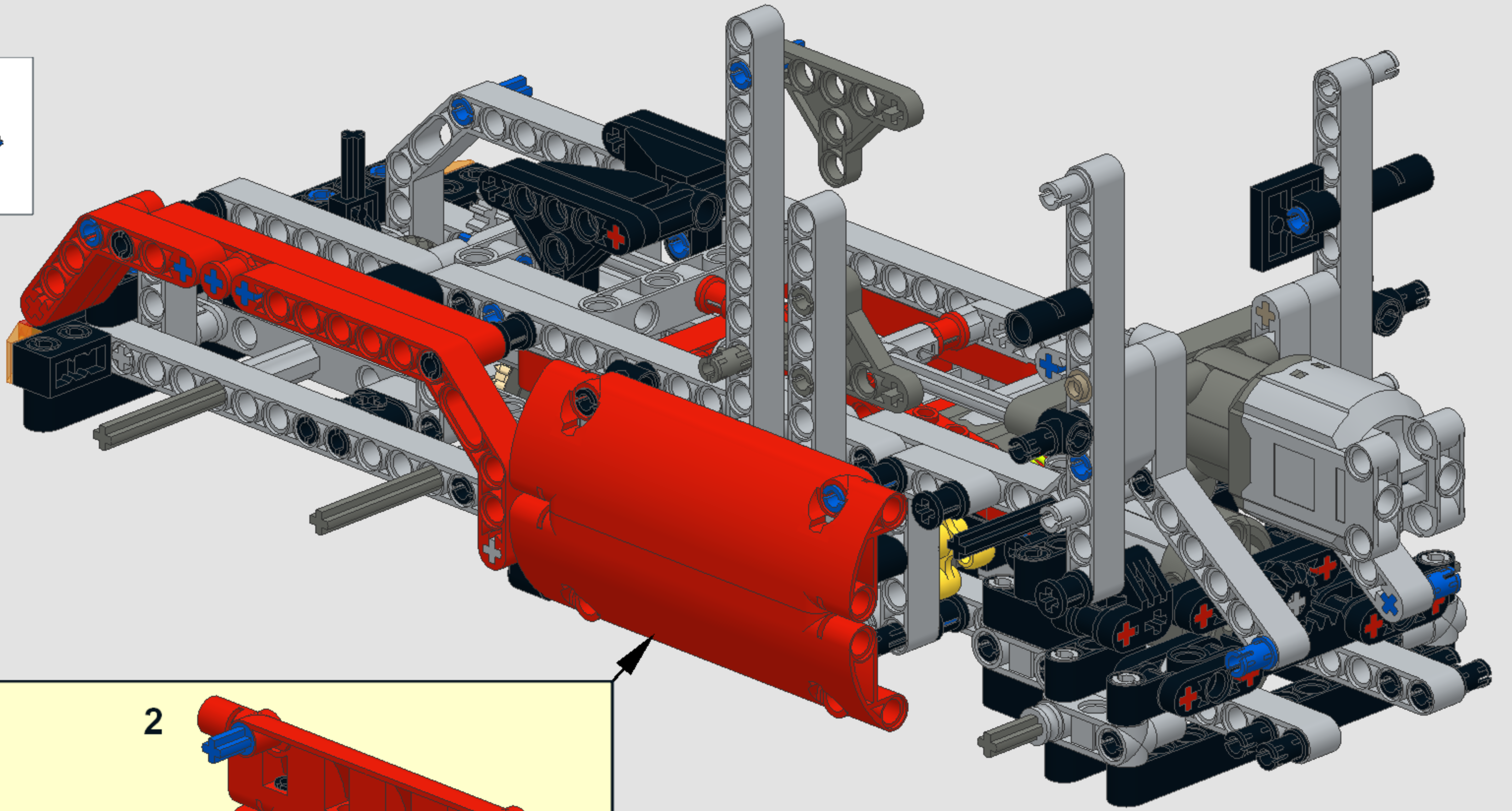
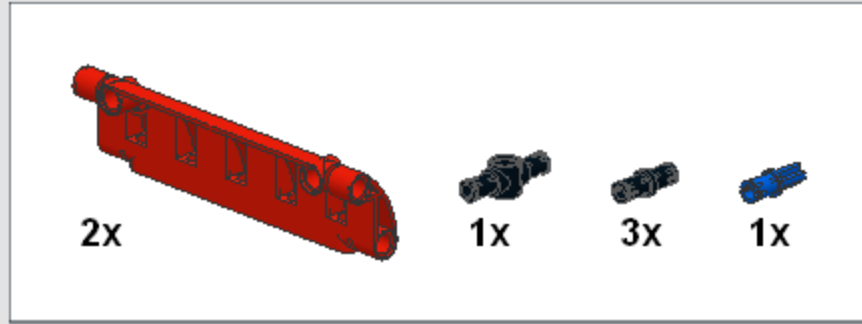
2



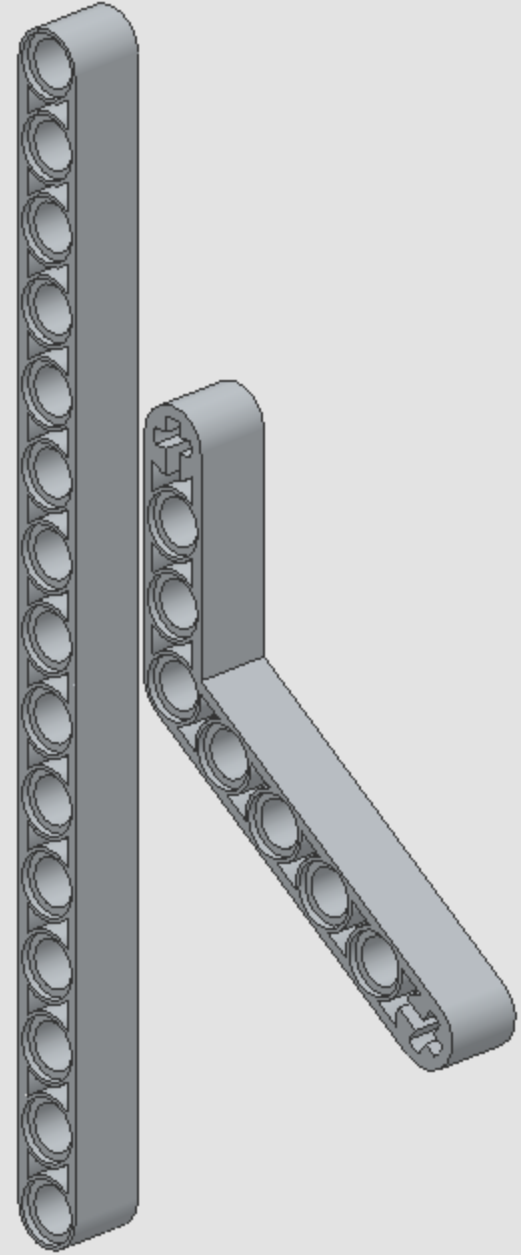
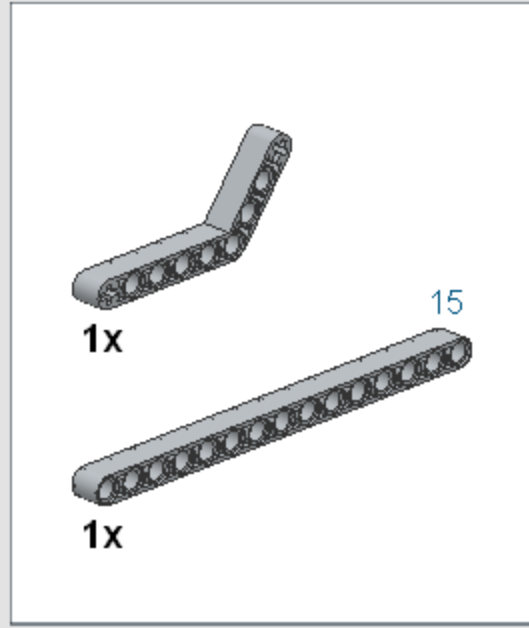
3



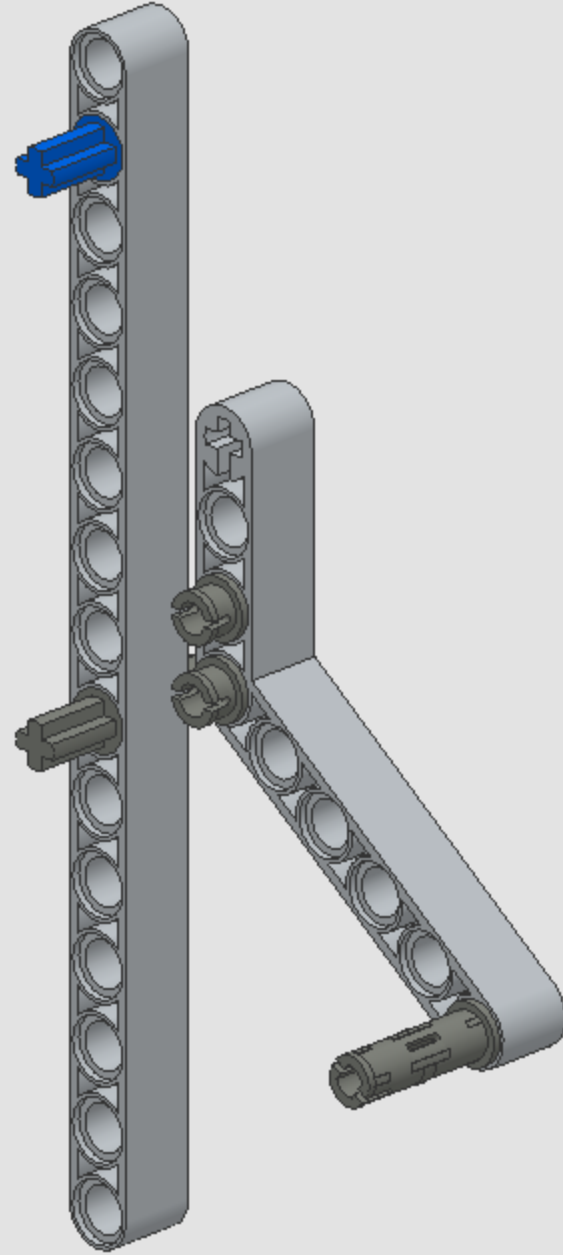




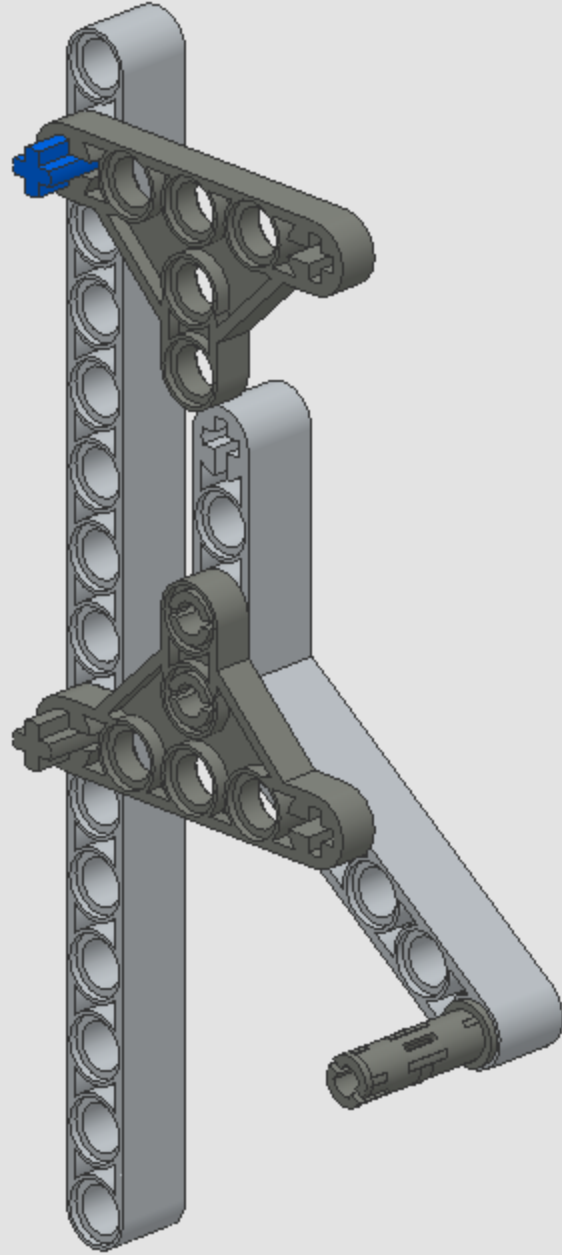
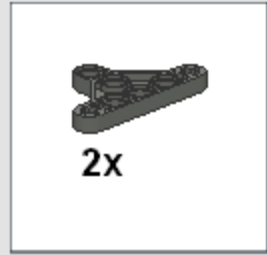
1

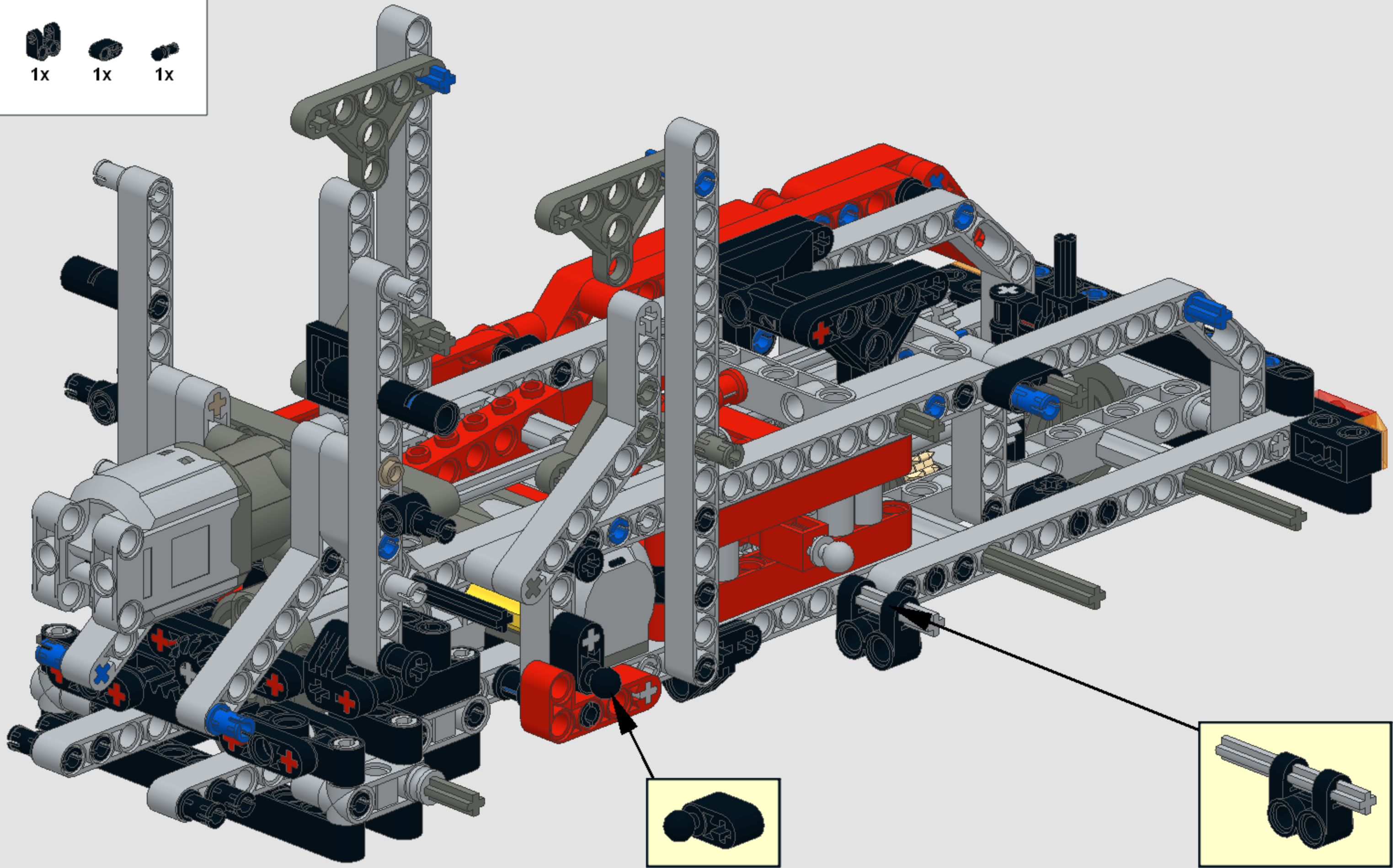


2

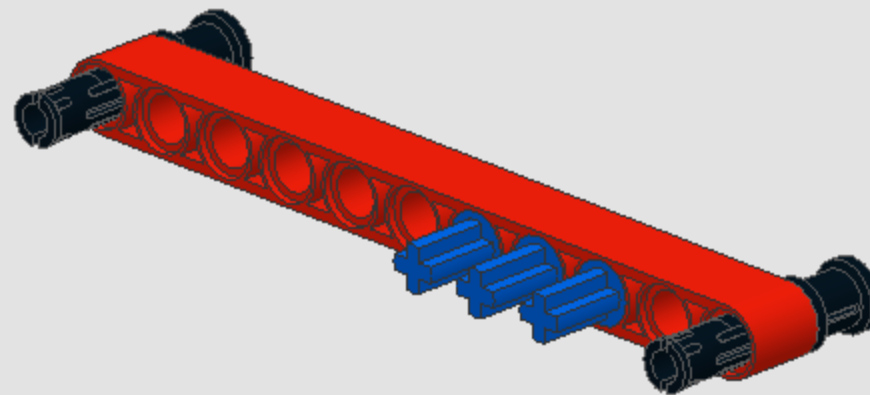
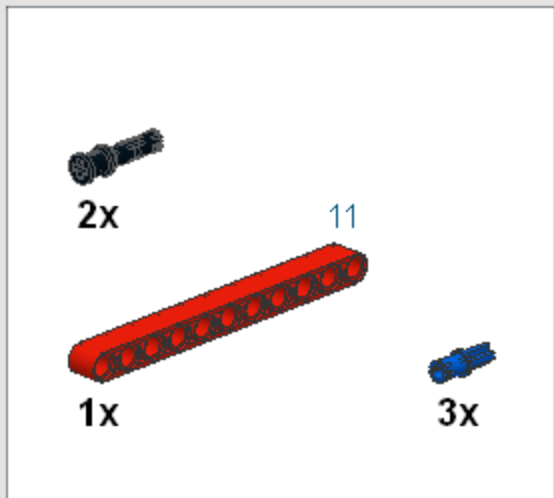


3

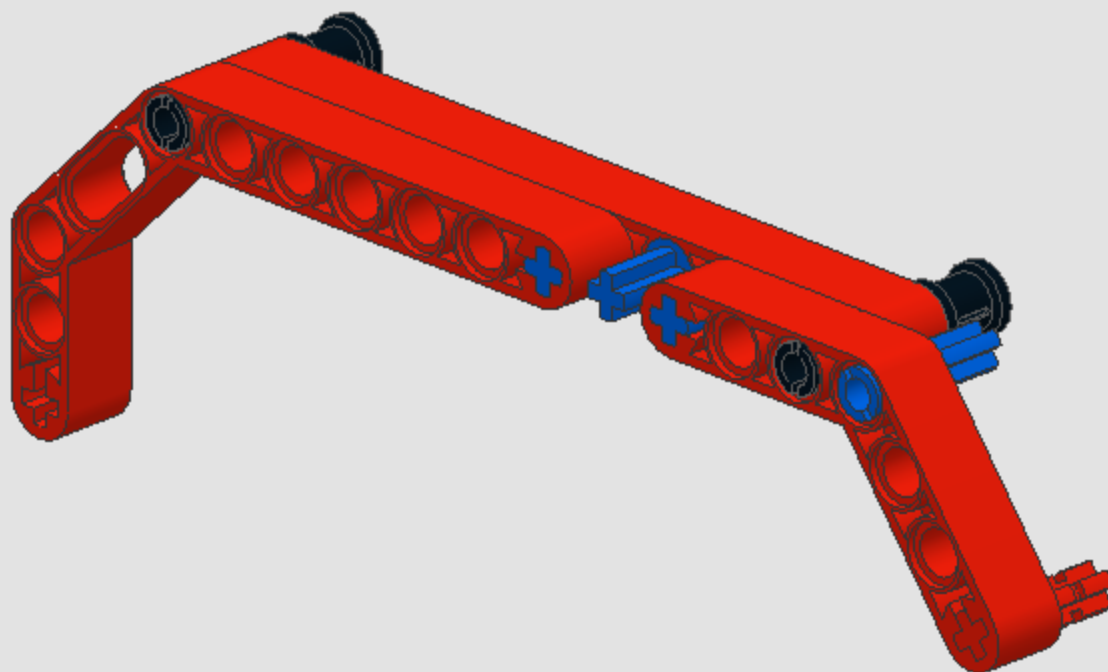
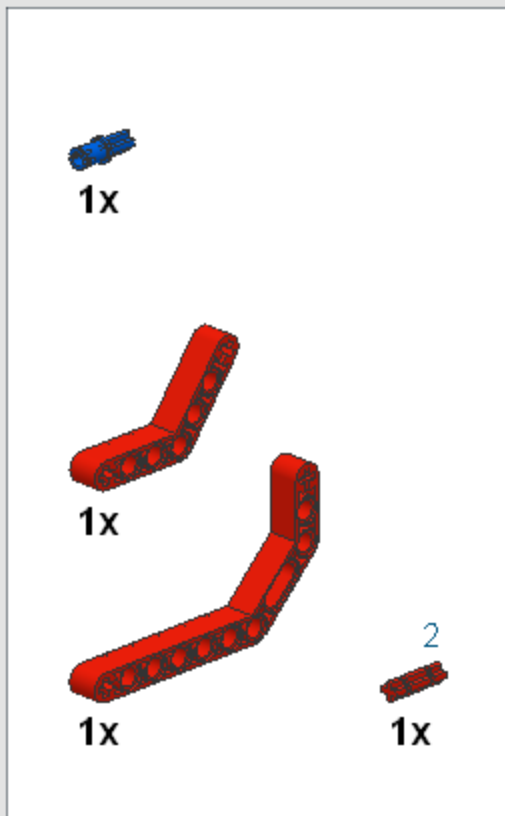




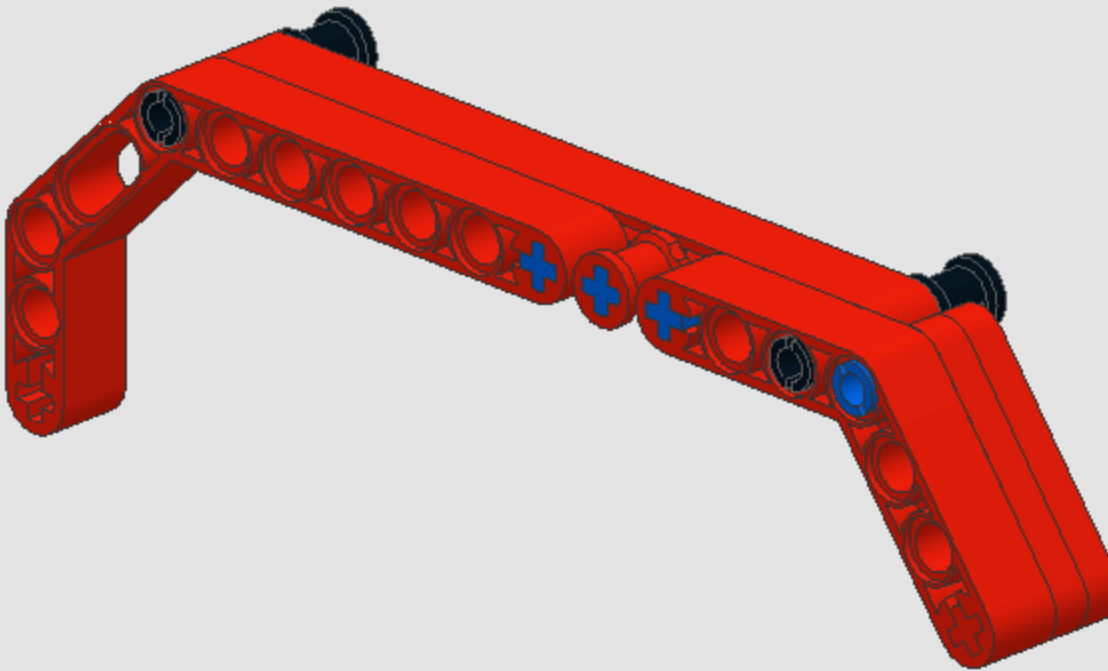
1

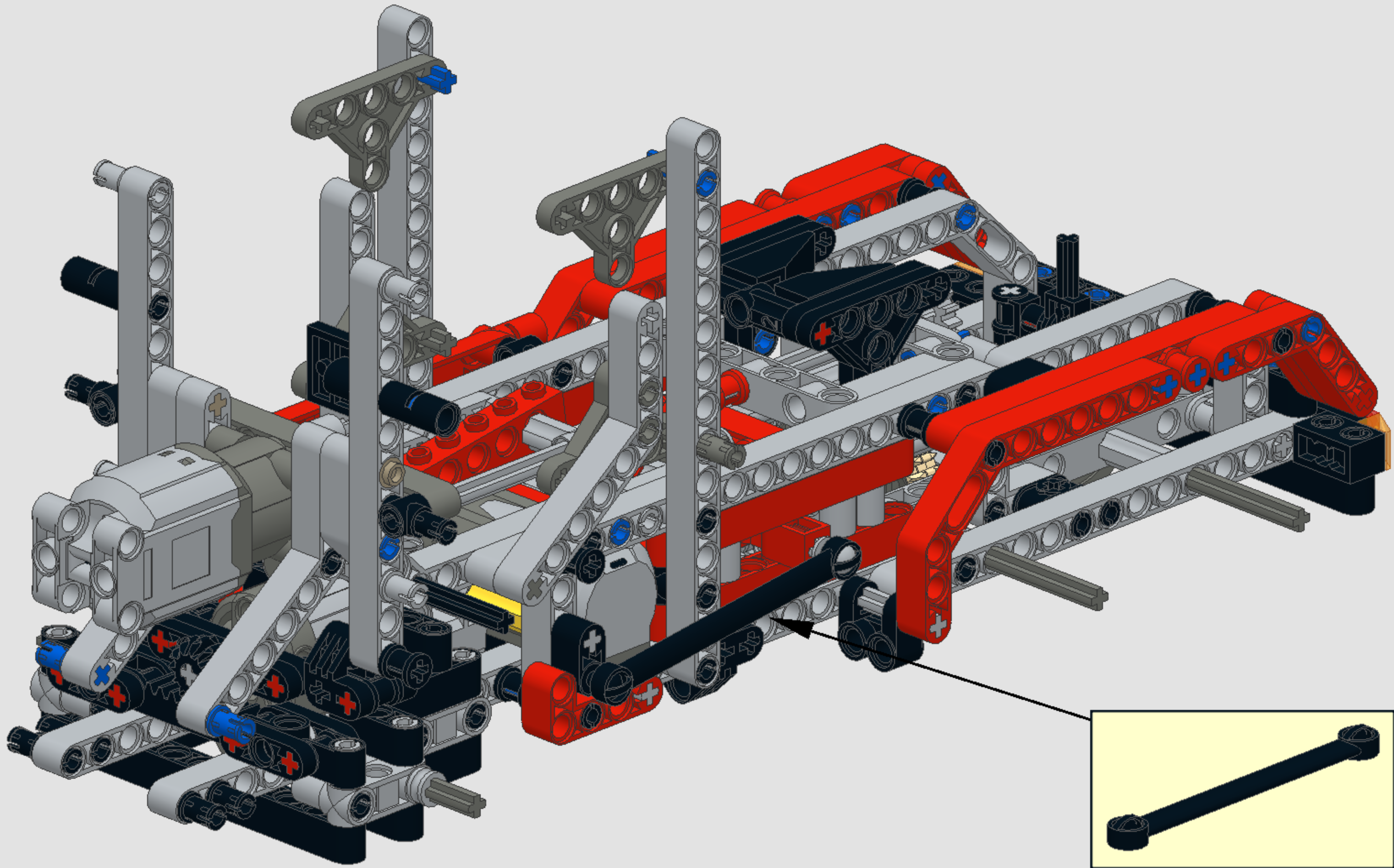


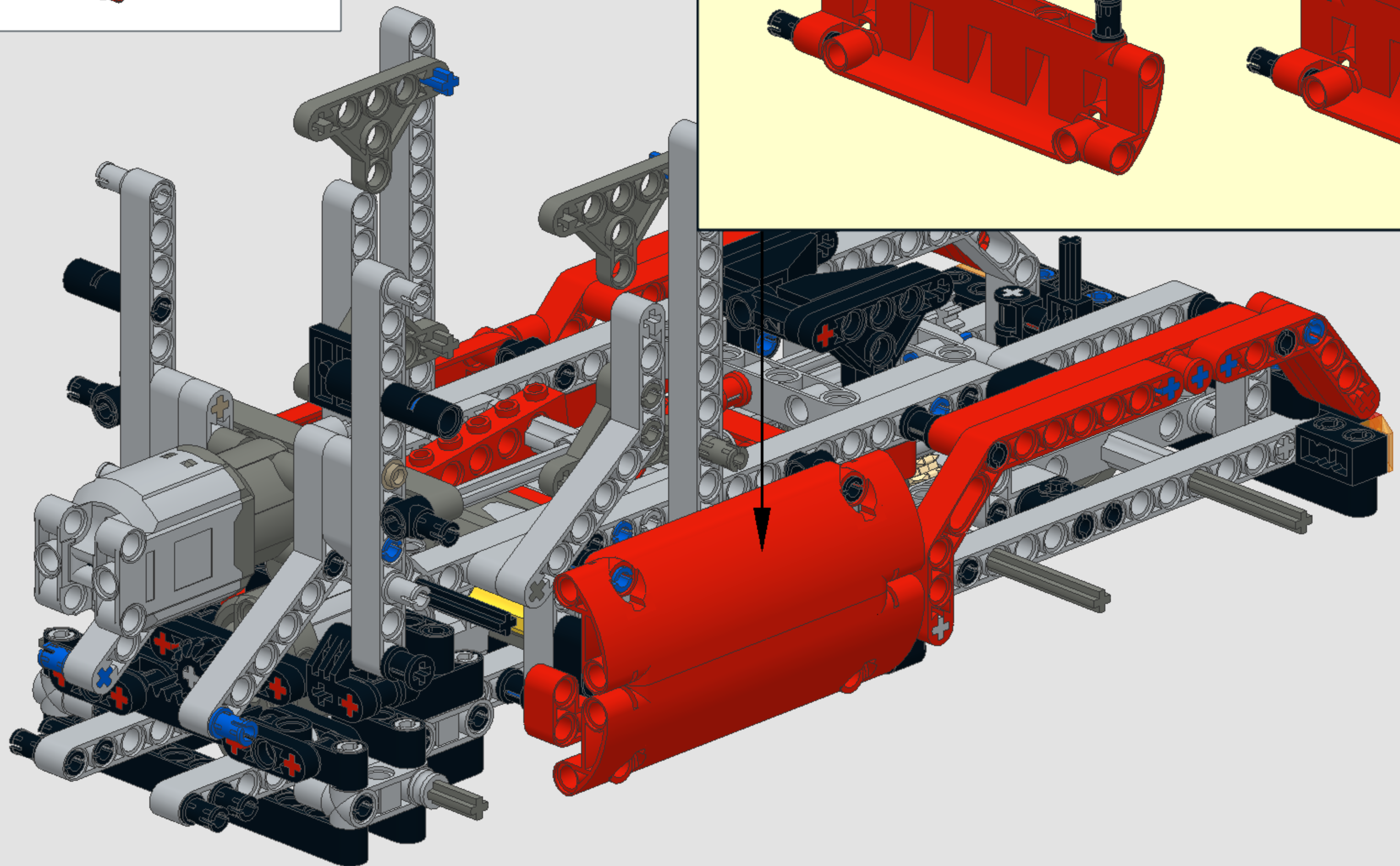
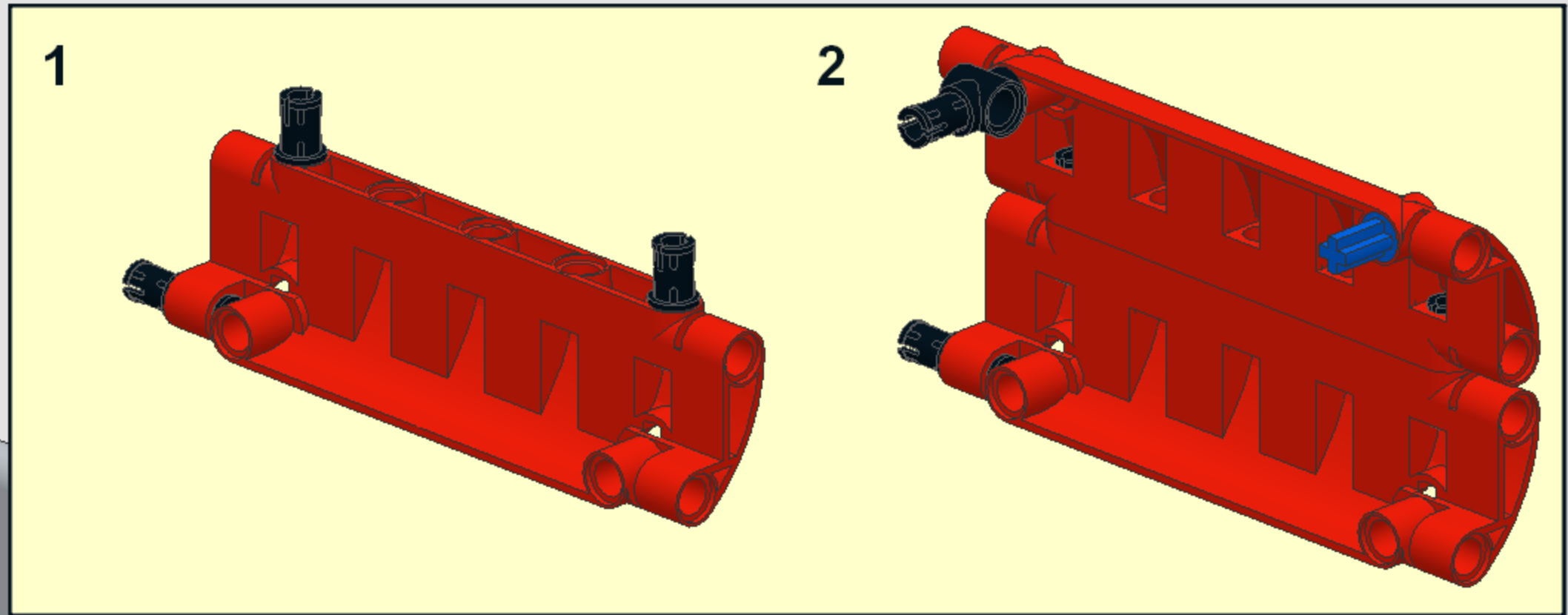
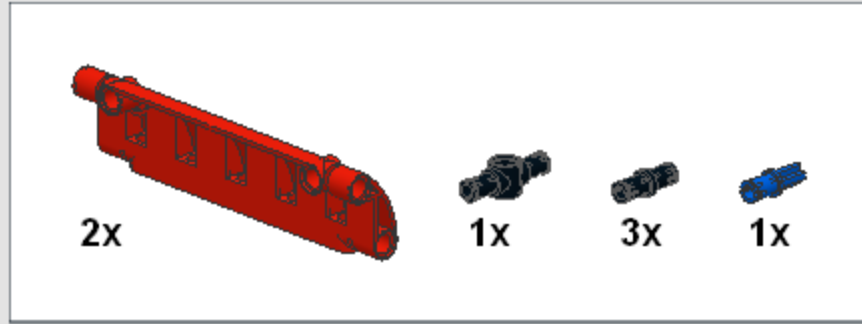
2

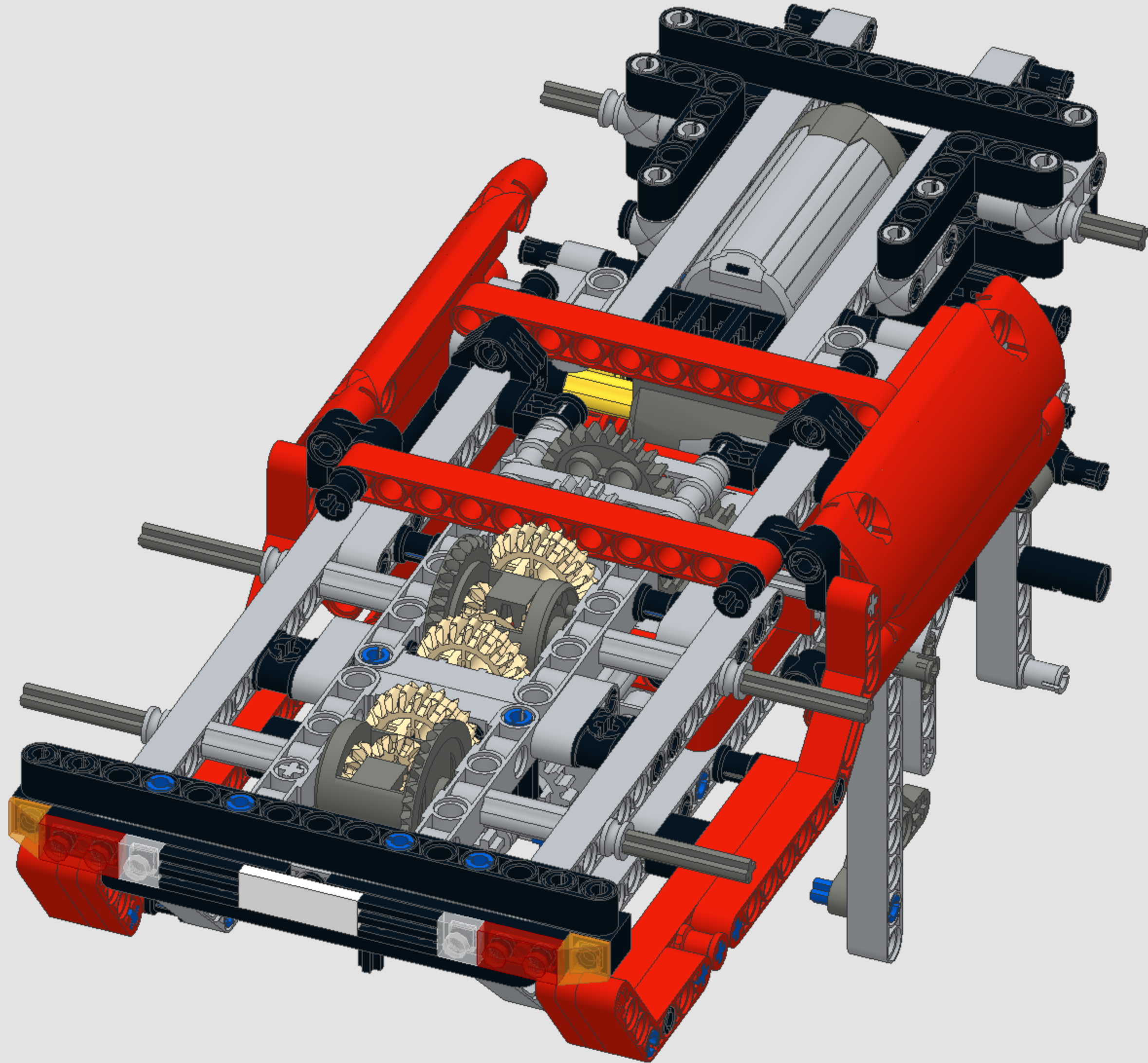
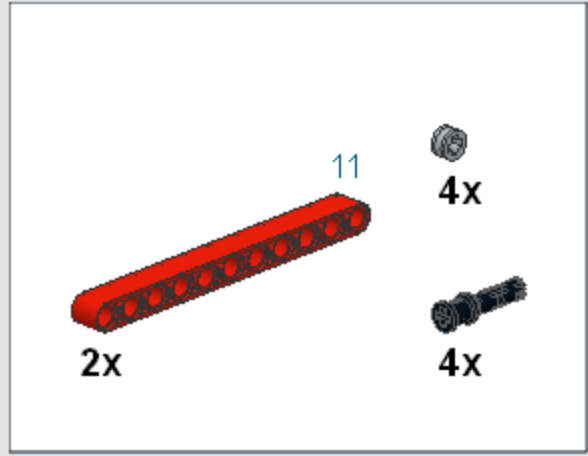


3

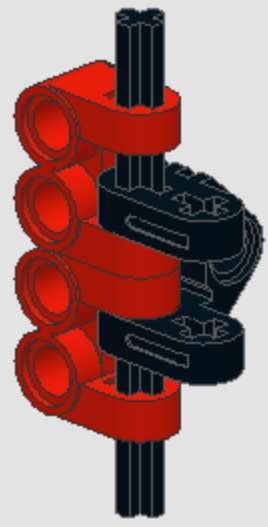
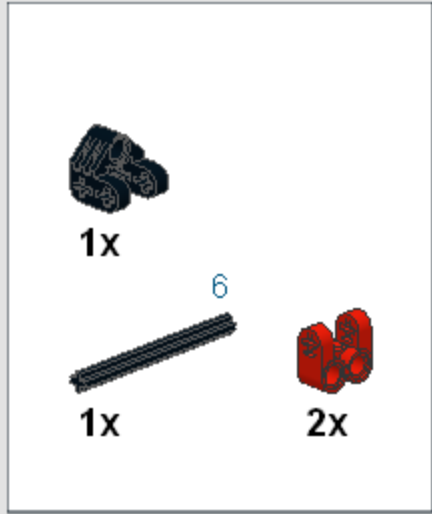




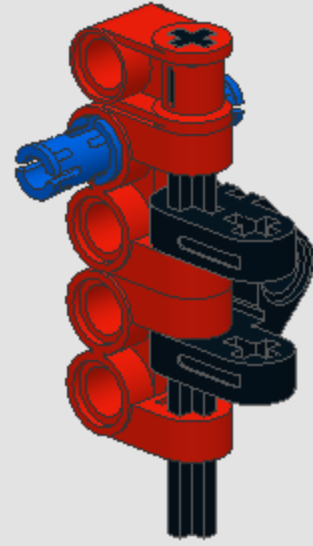




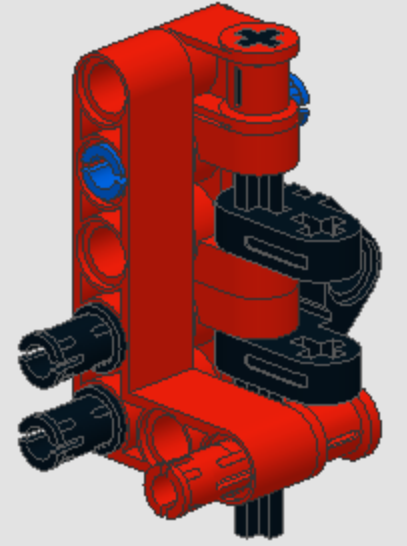
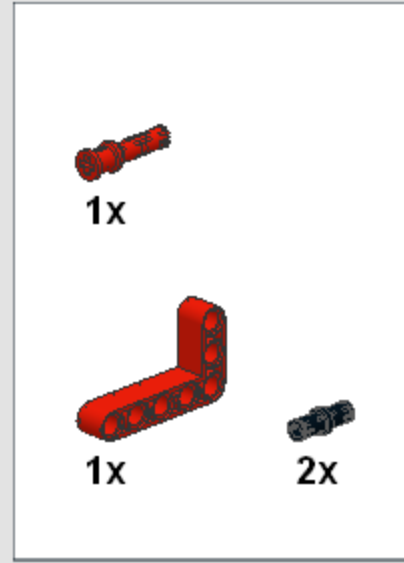
1



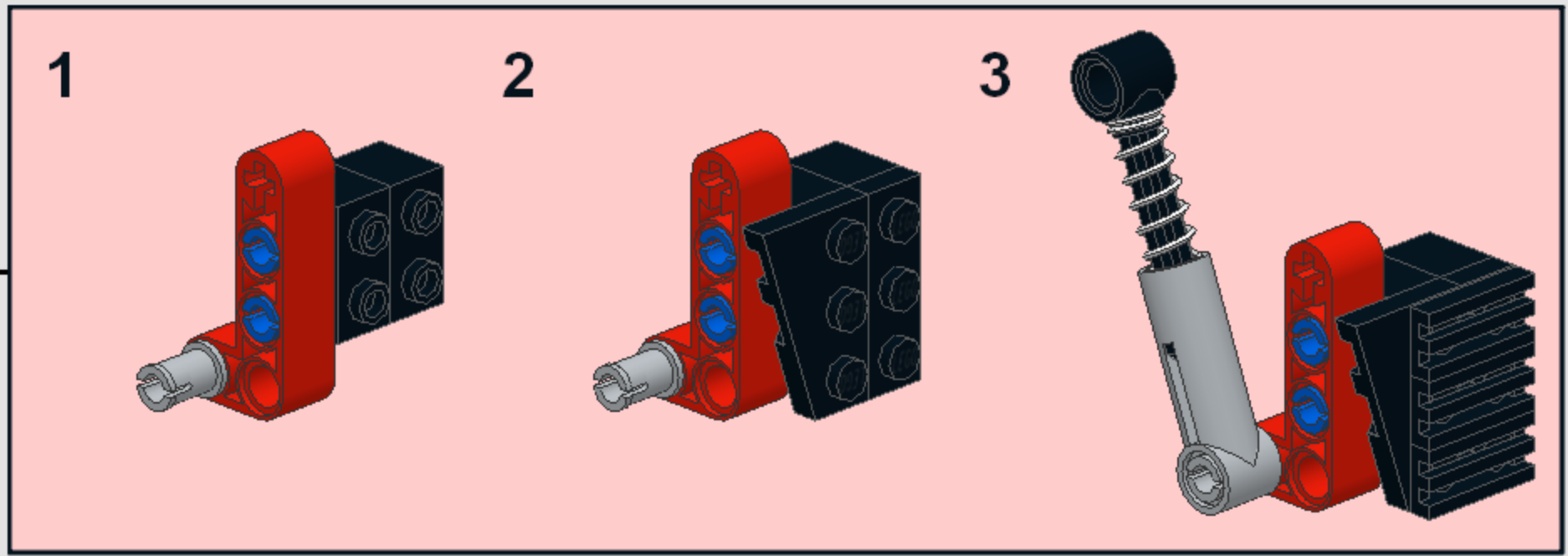
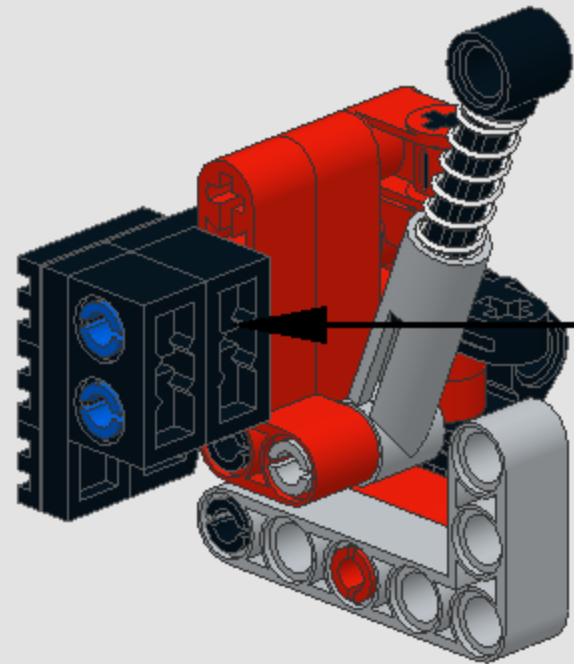
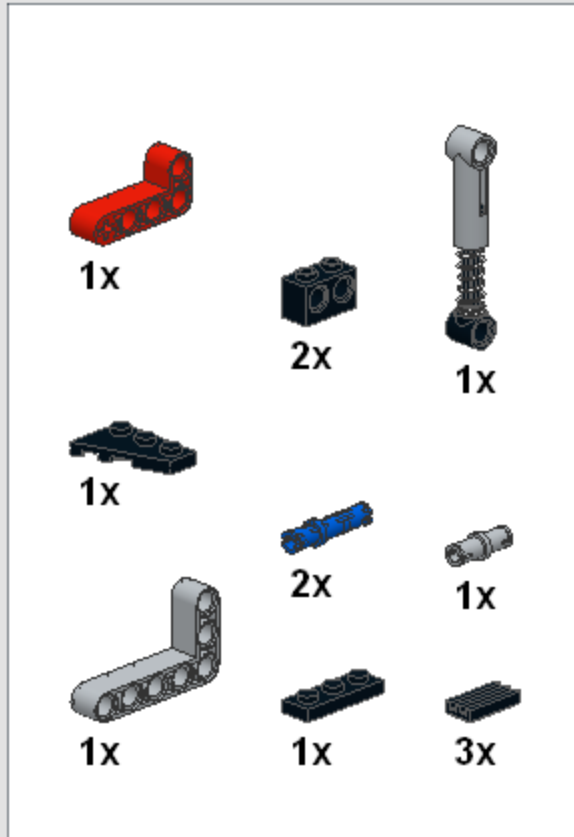
2



3

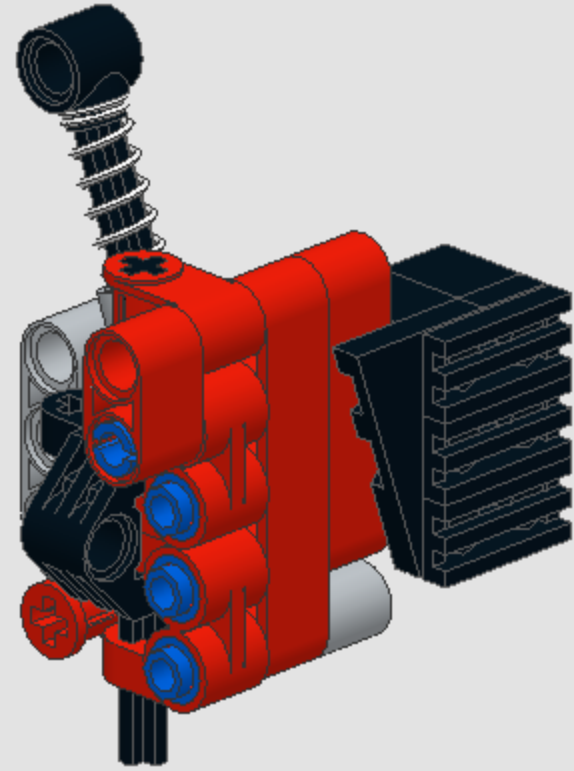


4







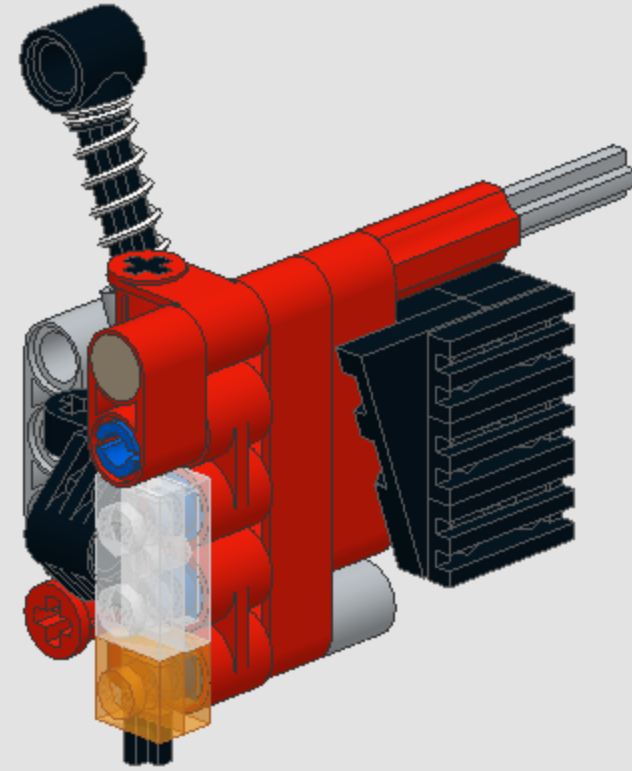
5

-  3x
-  2
-  1x



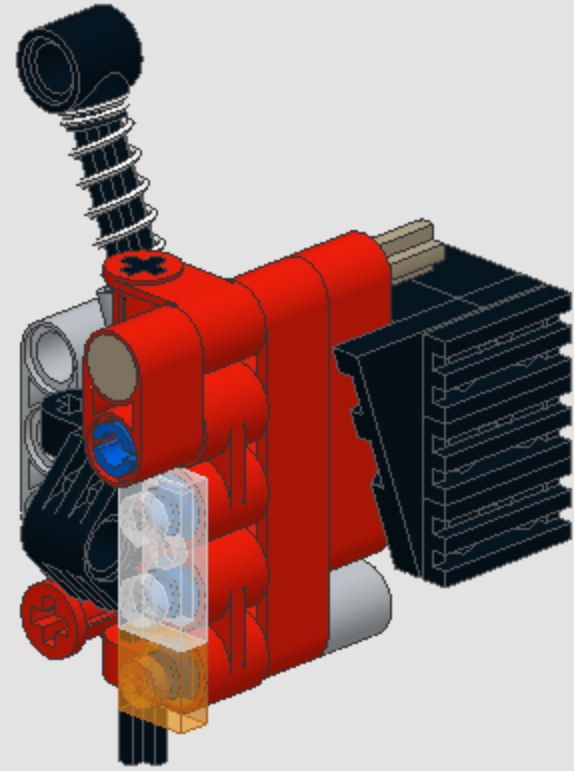
7

-  1x
-  1x
-  3
-  1x



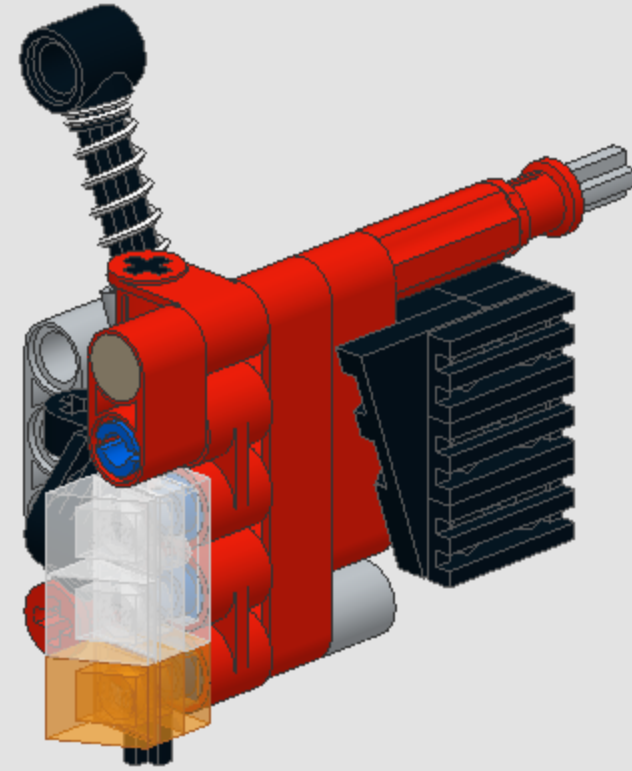
6

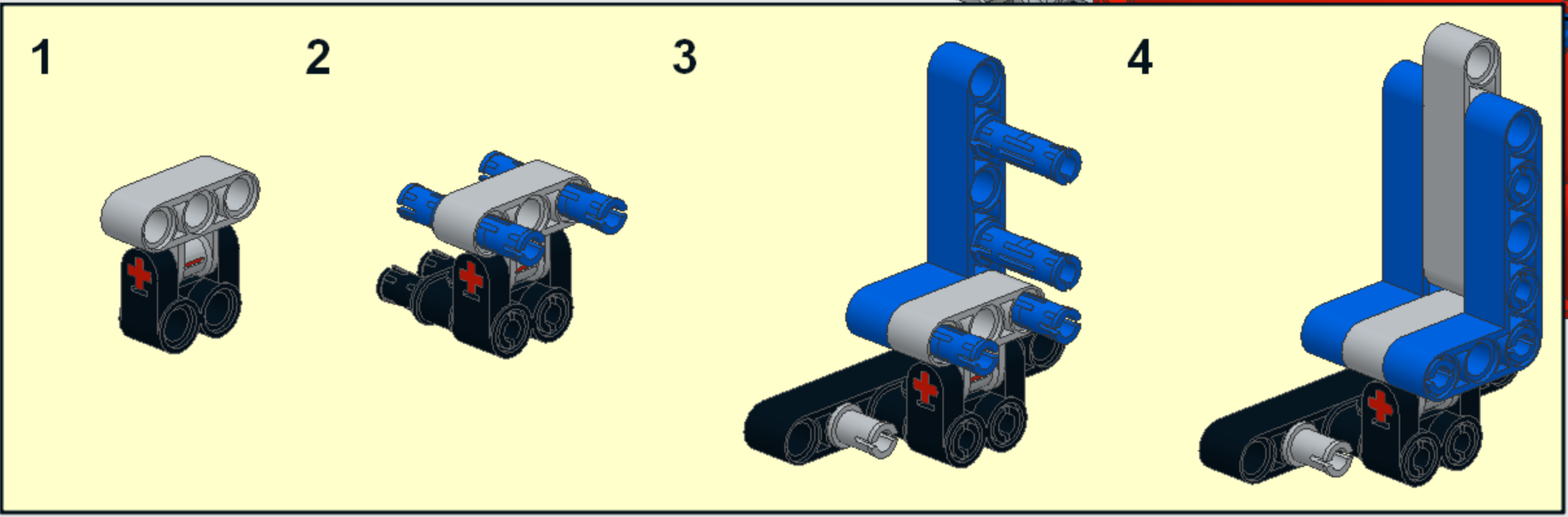
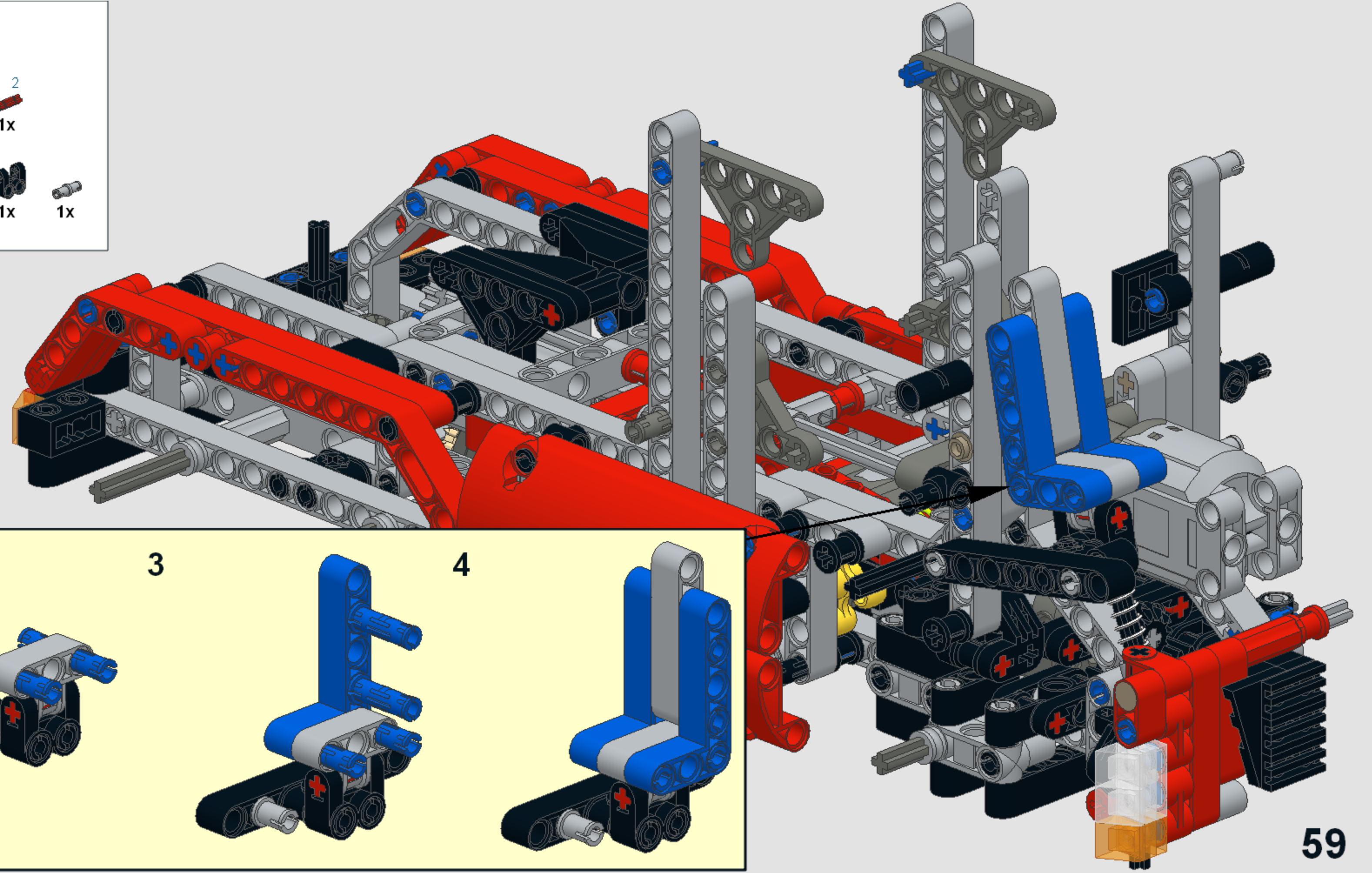
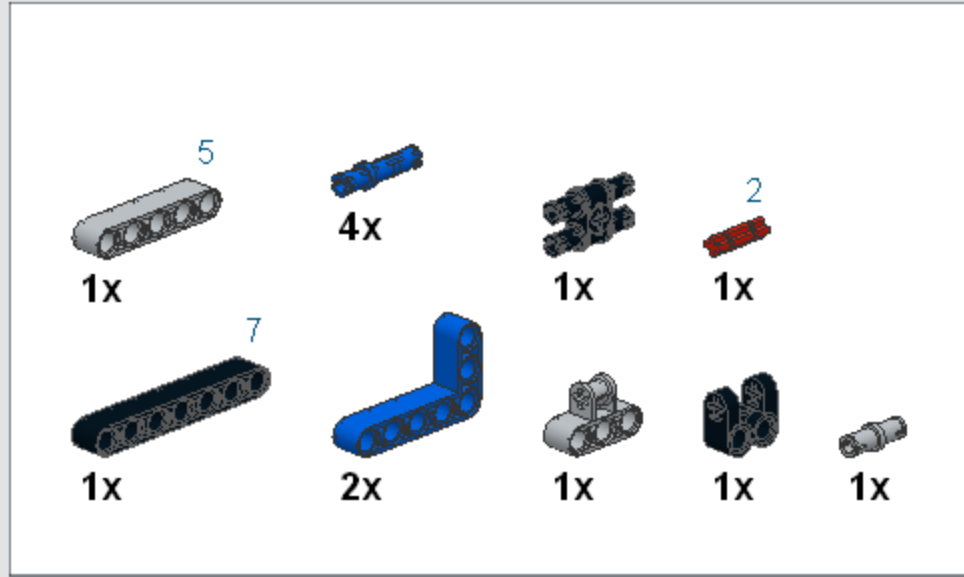
-  1x
-  1x
-  5
-  1x



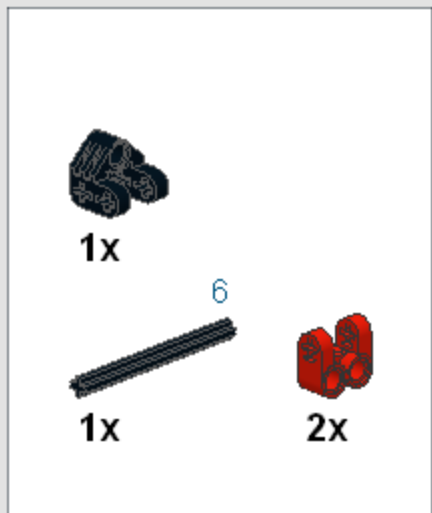
8

-  1x
-  2x
-  1x

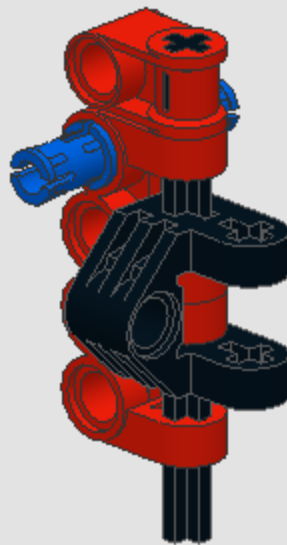




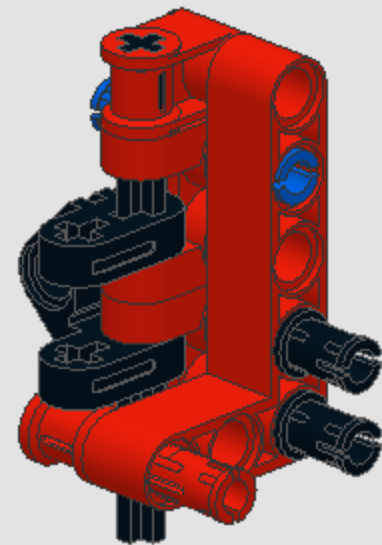
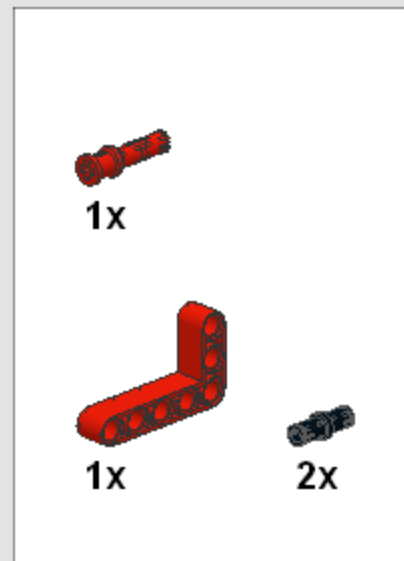
1



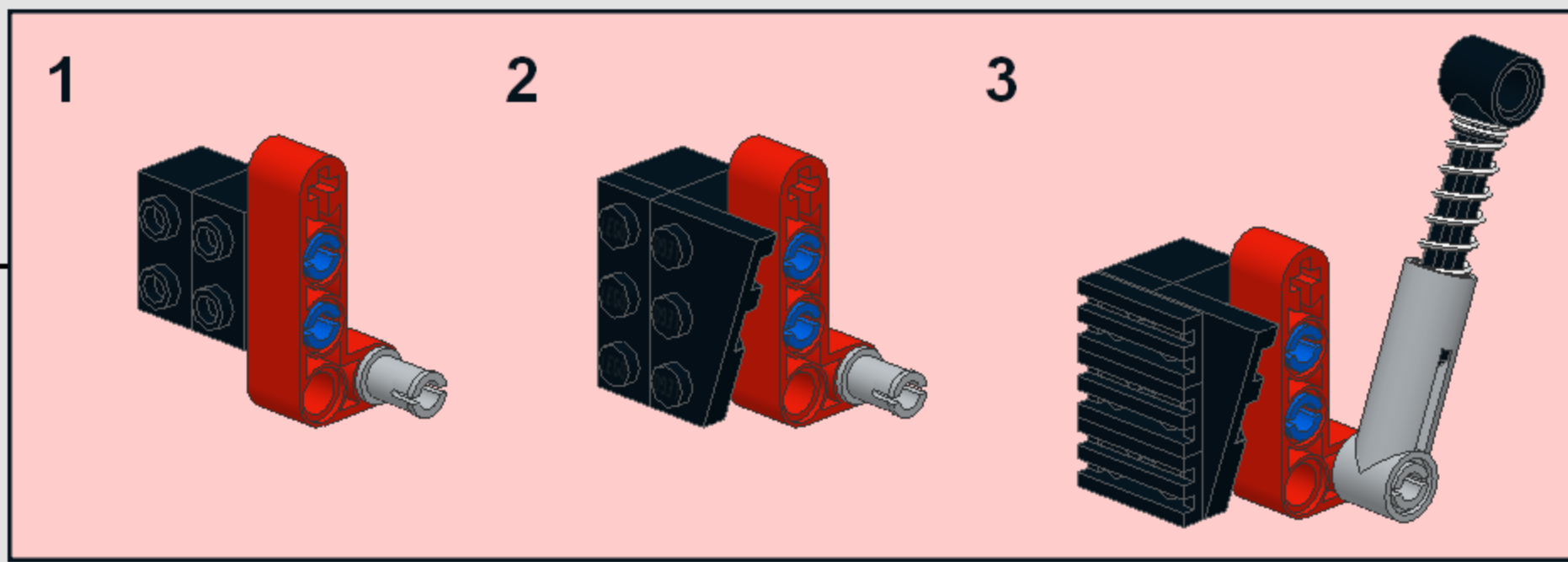
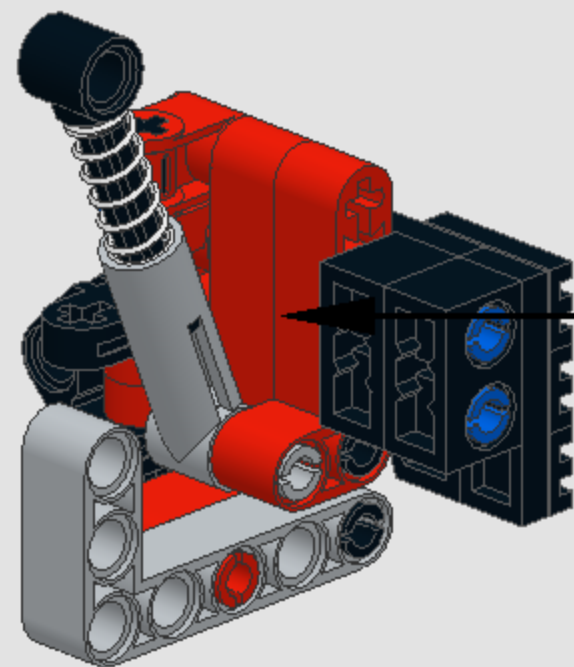
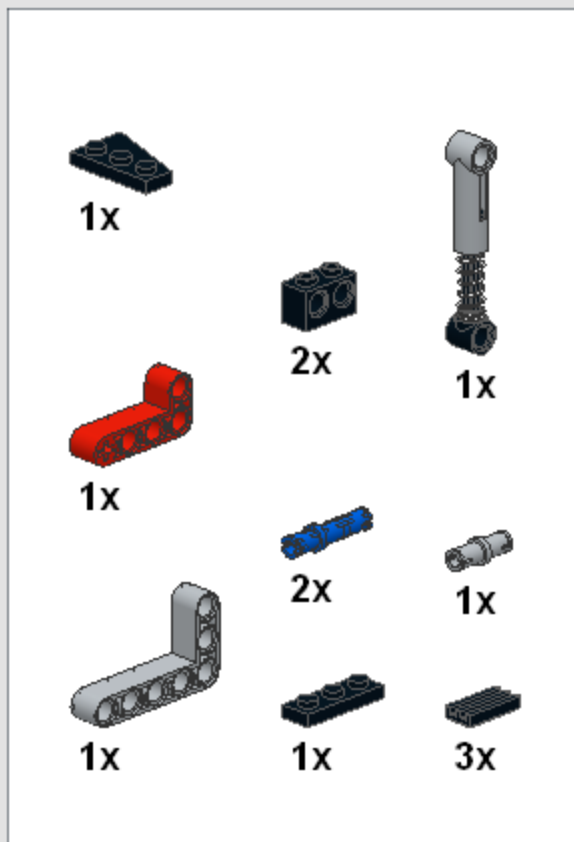
2





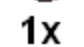
3

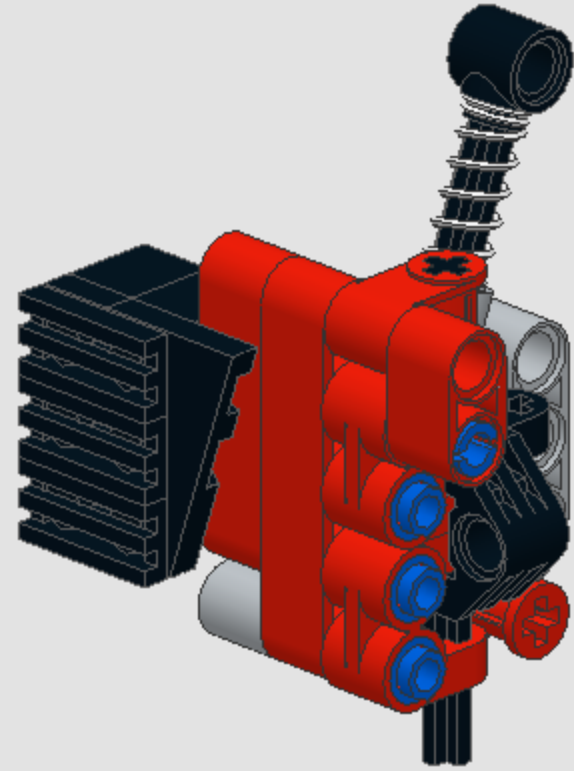


4






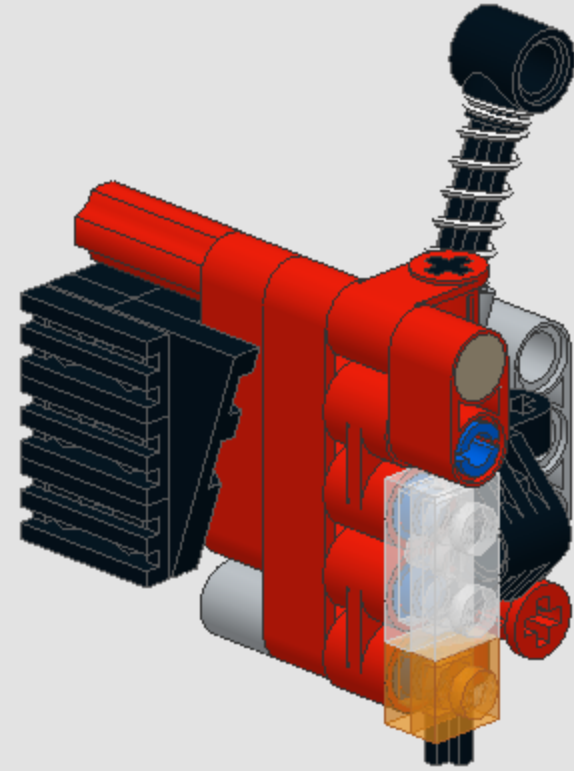
5

-  3x
-  2
-  1x



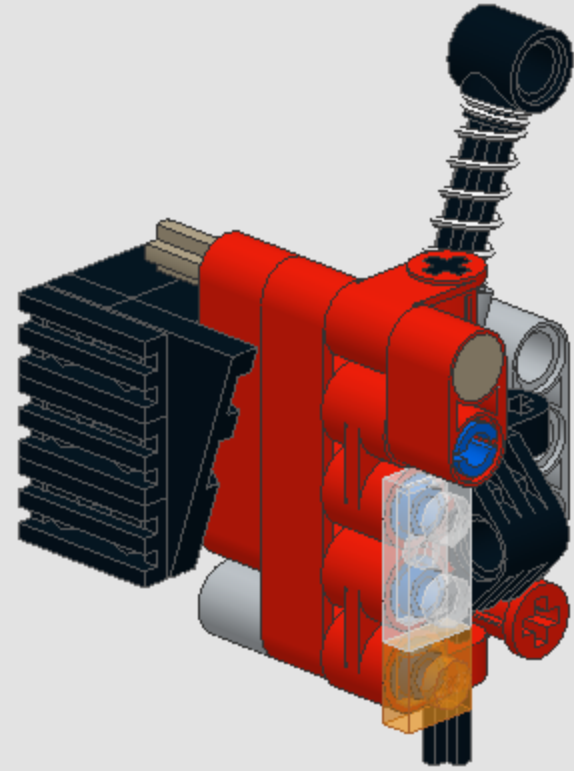
7

-  1x
-  1x
-  1x



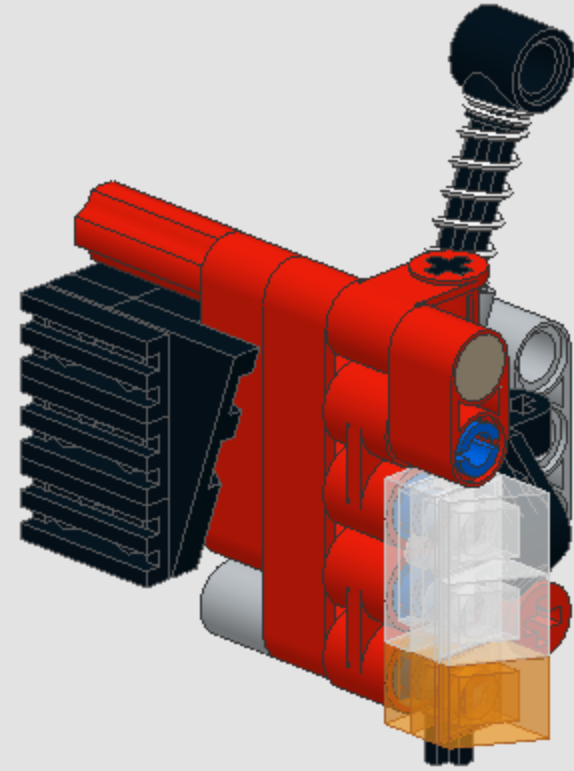
6








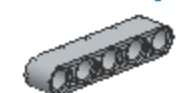

-  1x
-  1x
-  5
-  1x

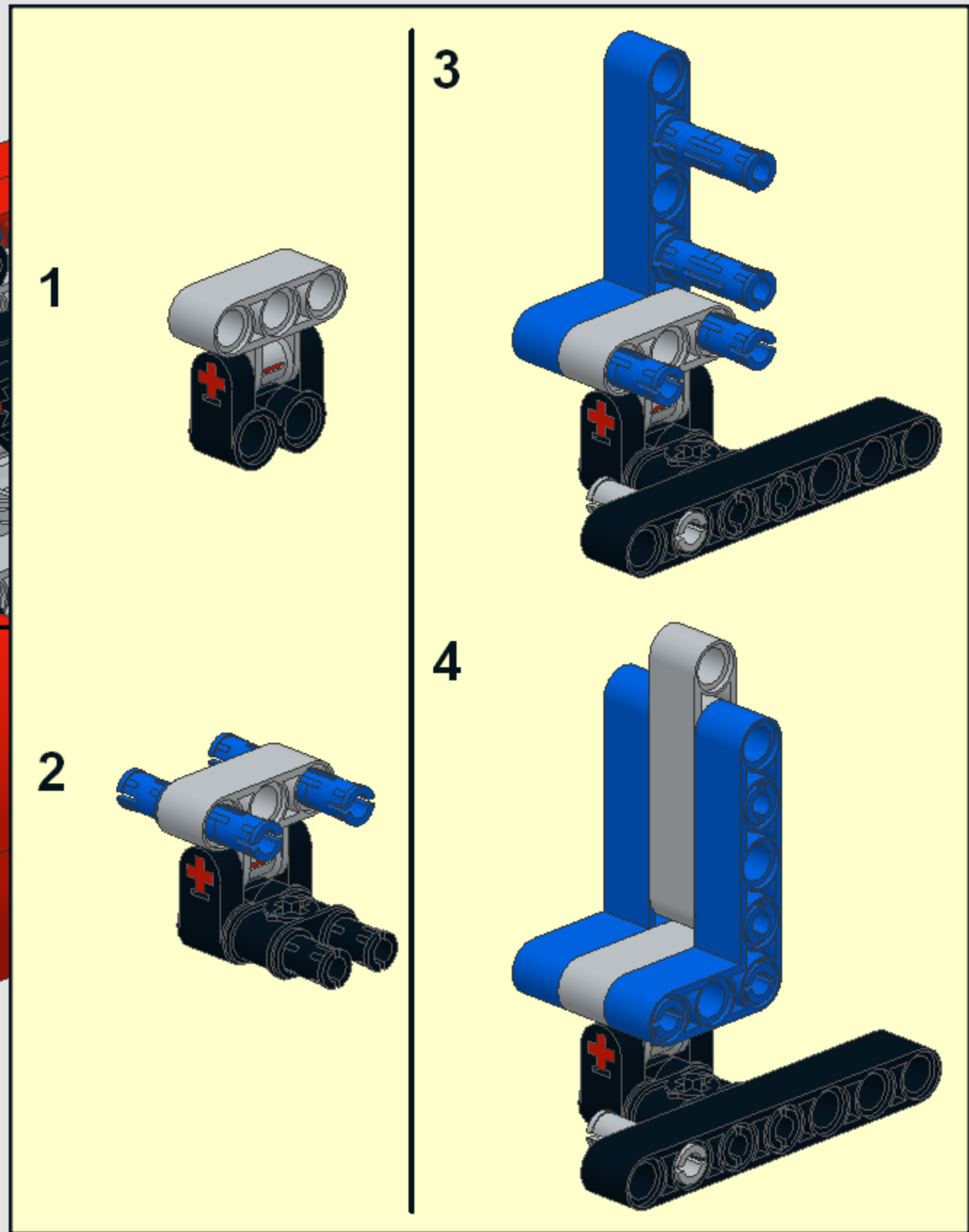
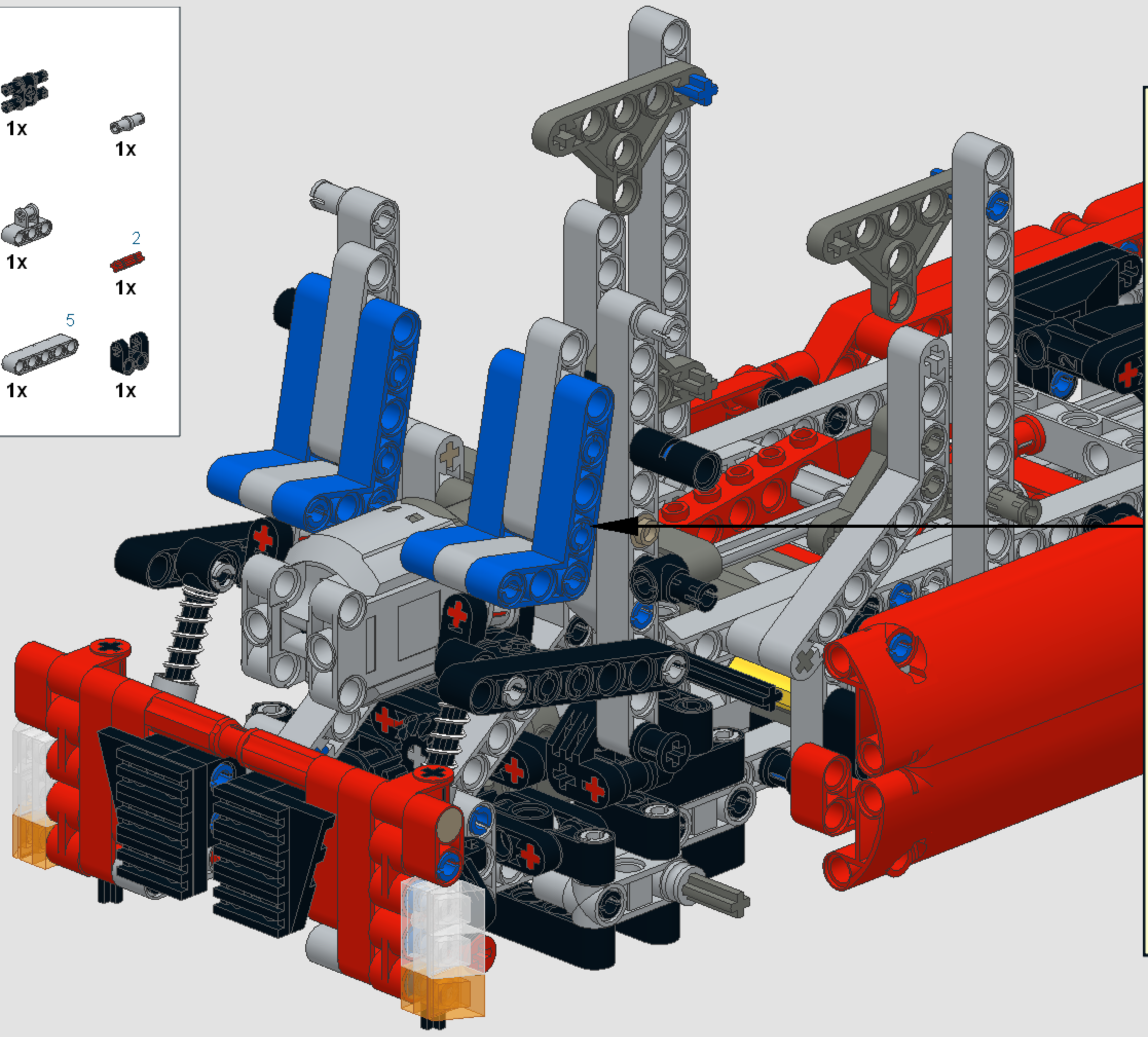


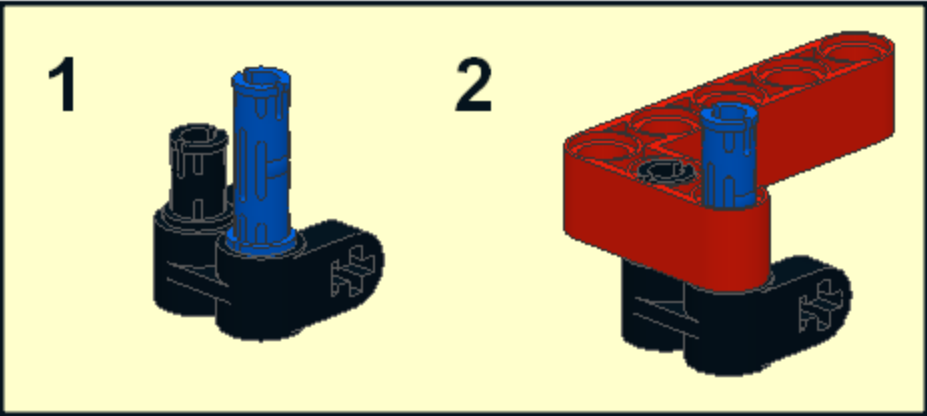
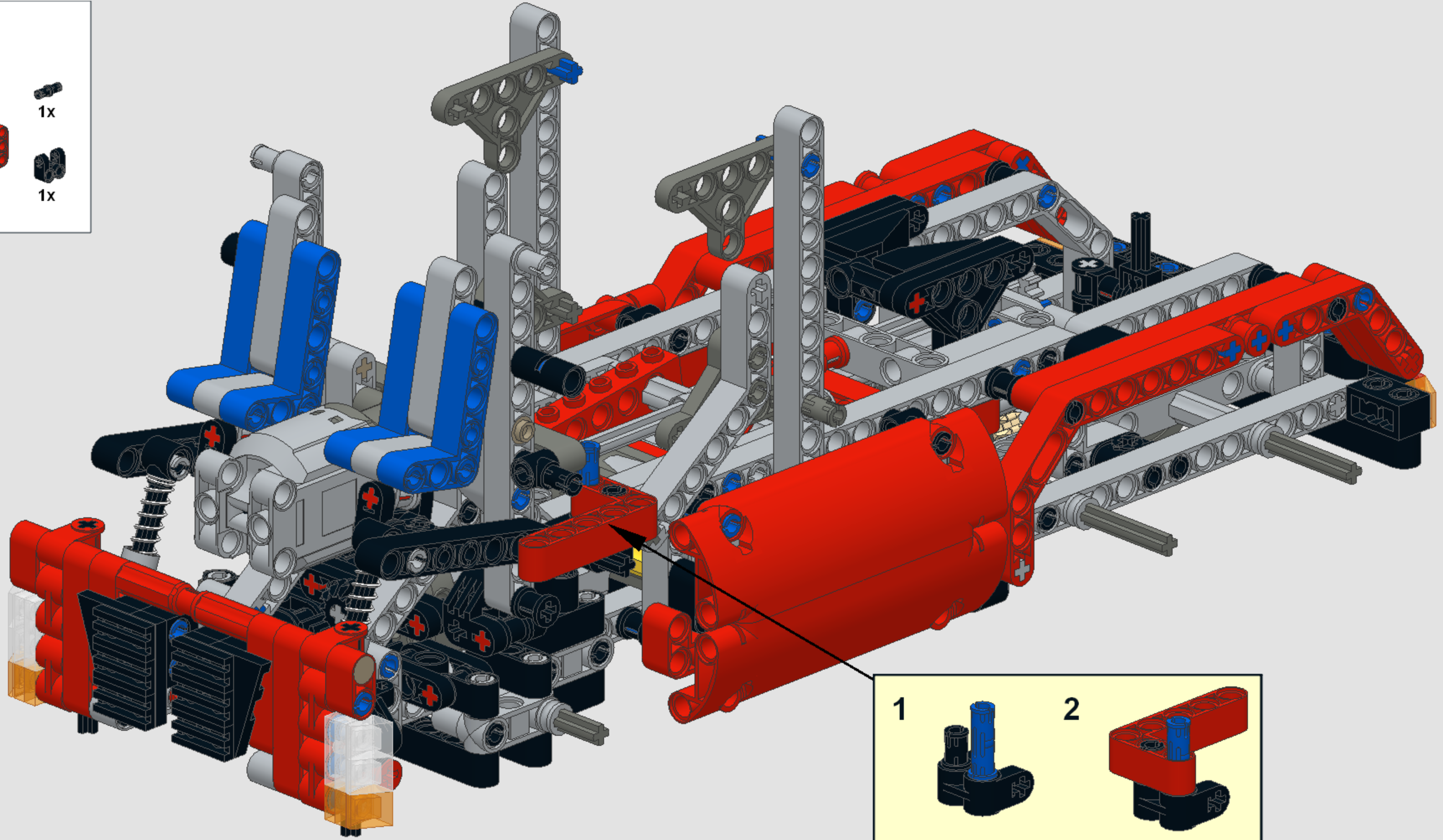
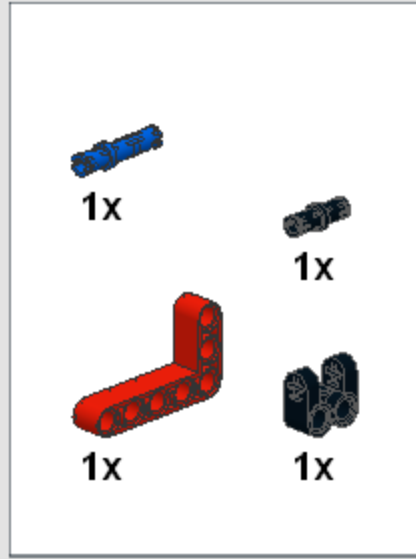
8

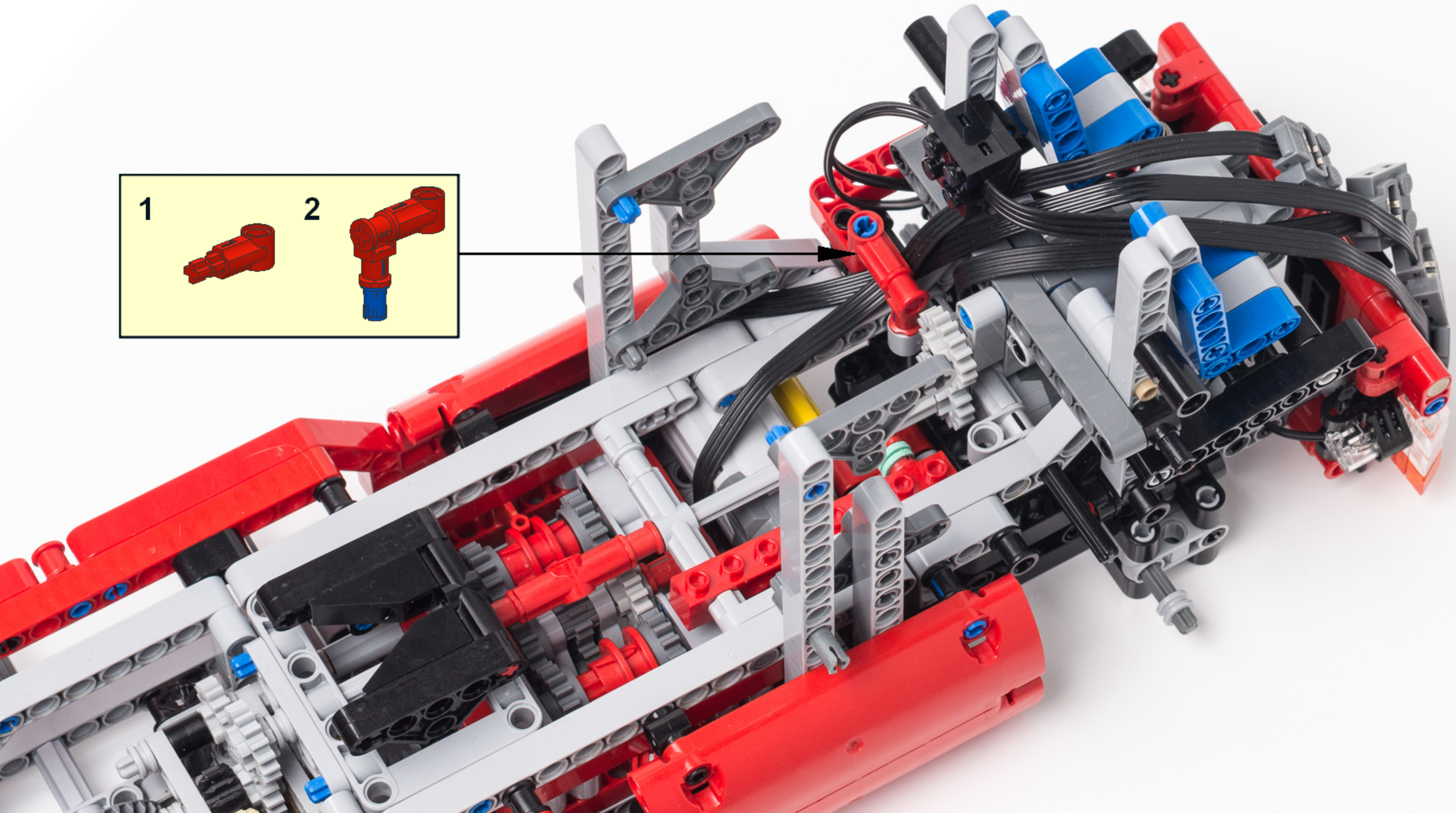
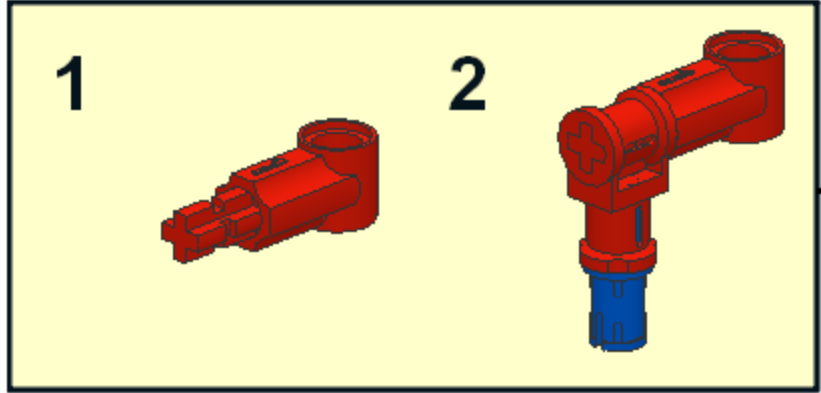
-  2x
-  1x



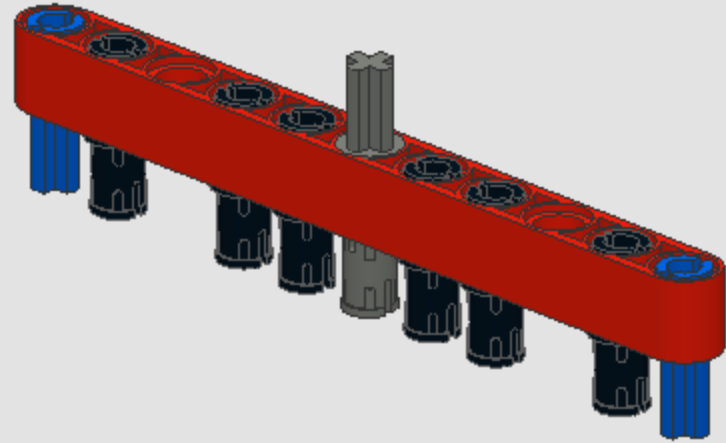
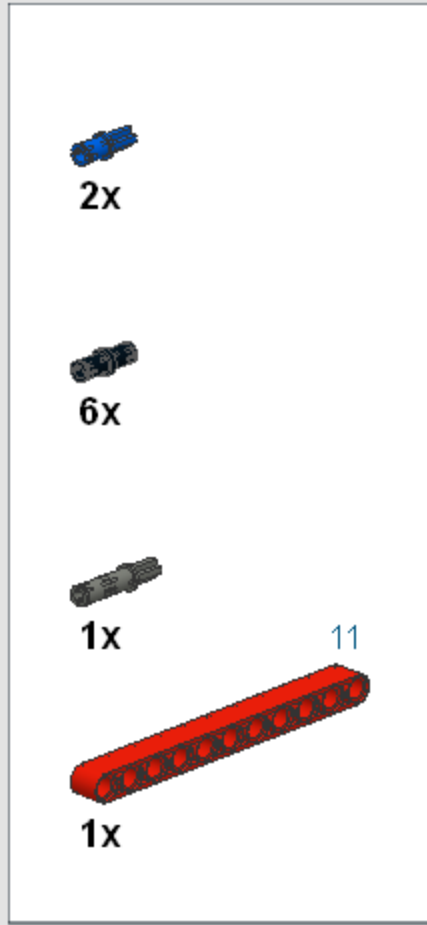
- | | | |
|---|---|---|
| 
4x | 
1x | 
1x |
| 
2x | 
1x | 
2 |
| 
1x | 
1x | 
1x |



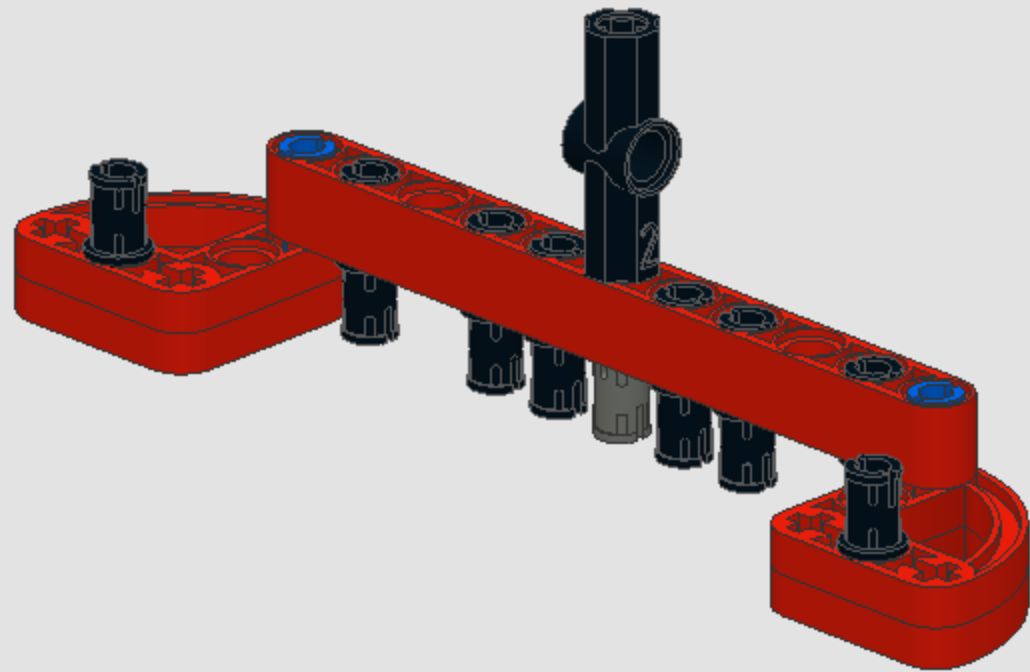




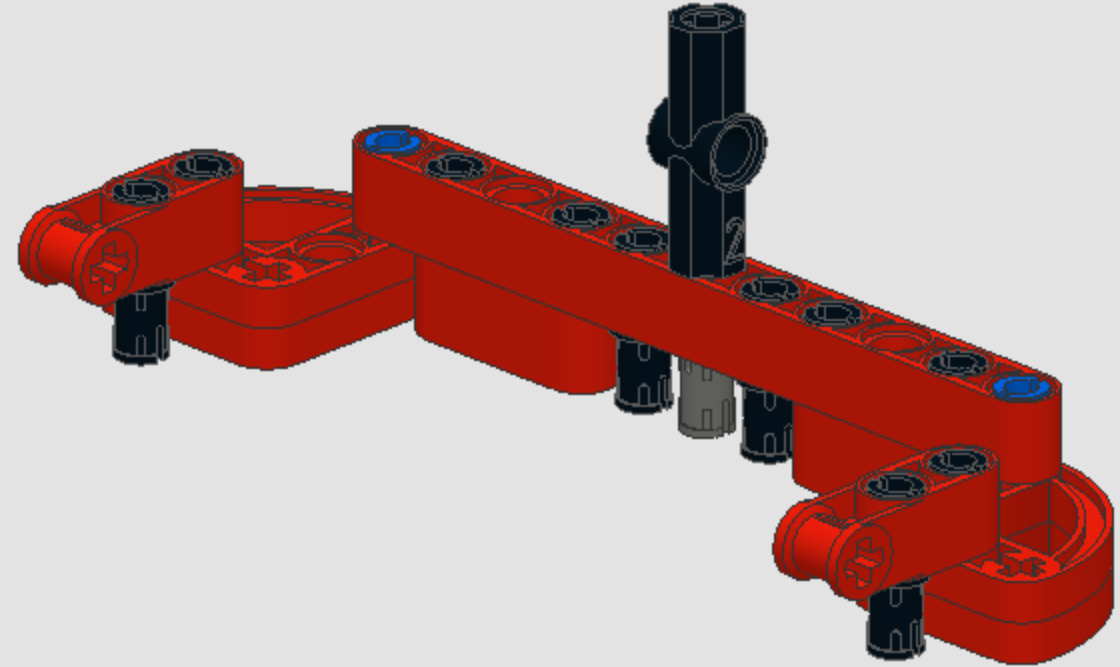
1



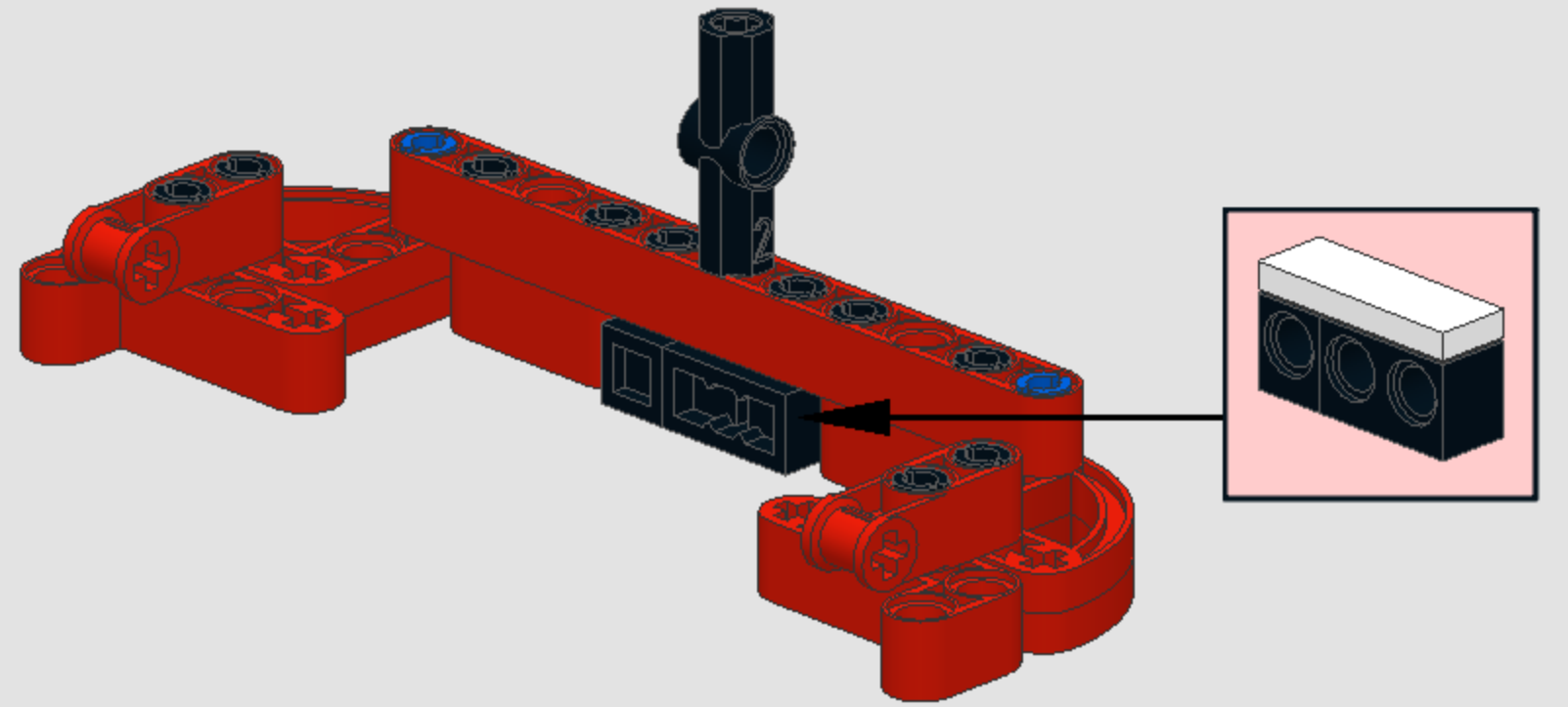
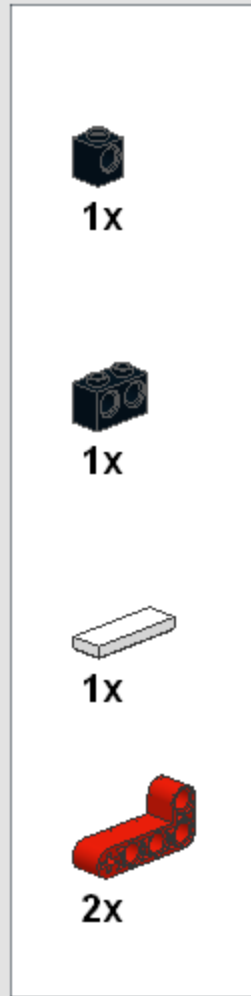
2

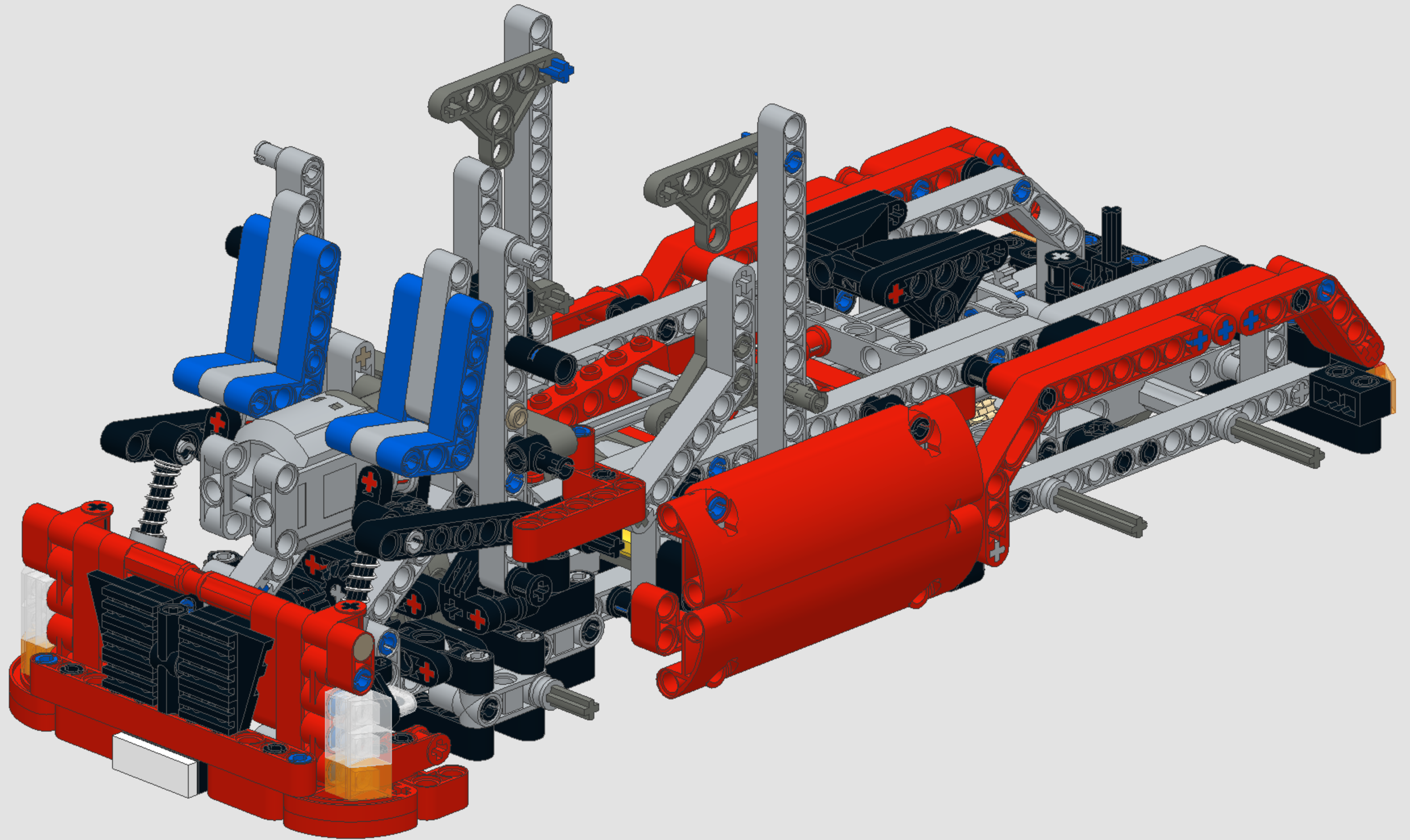


3

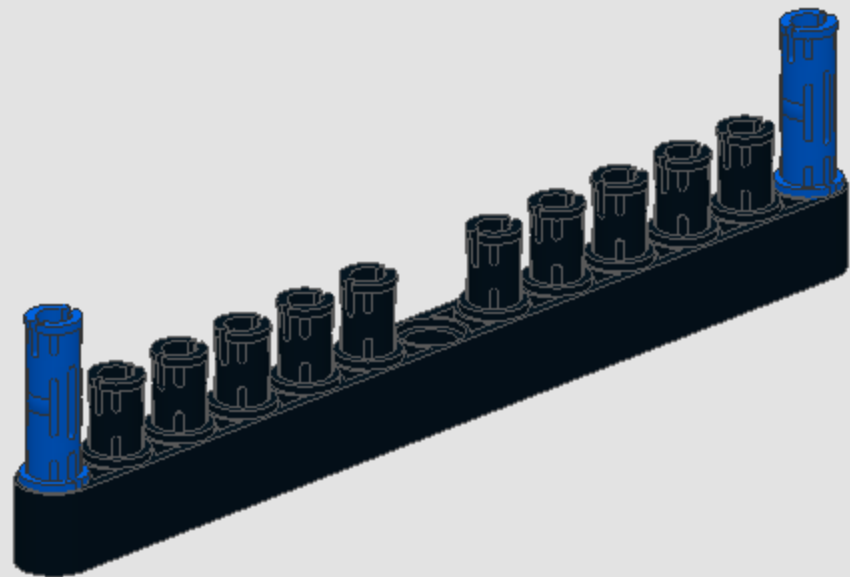
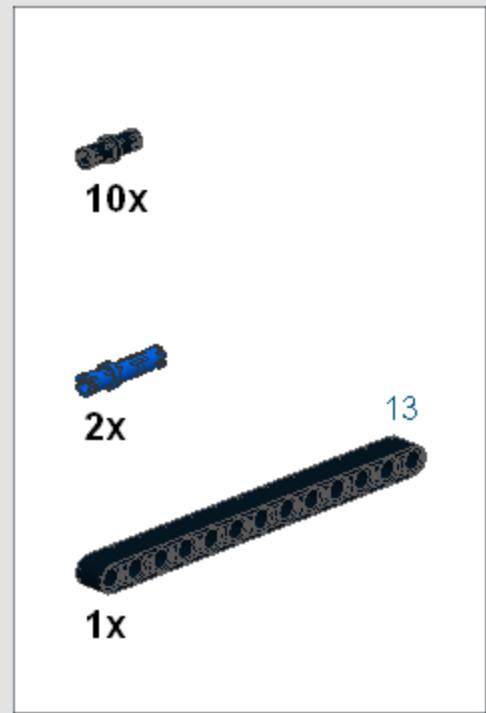


4

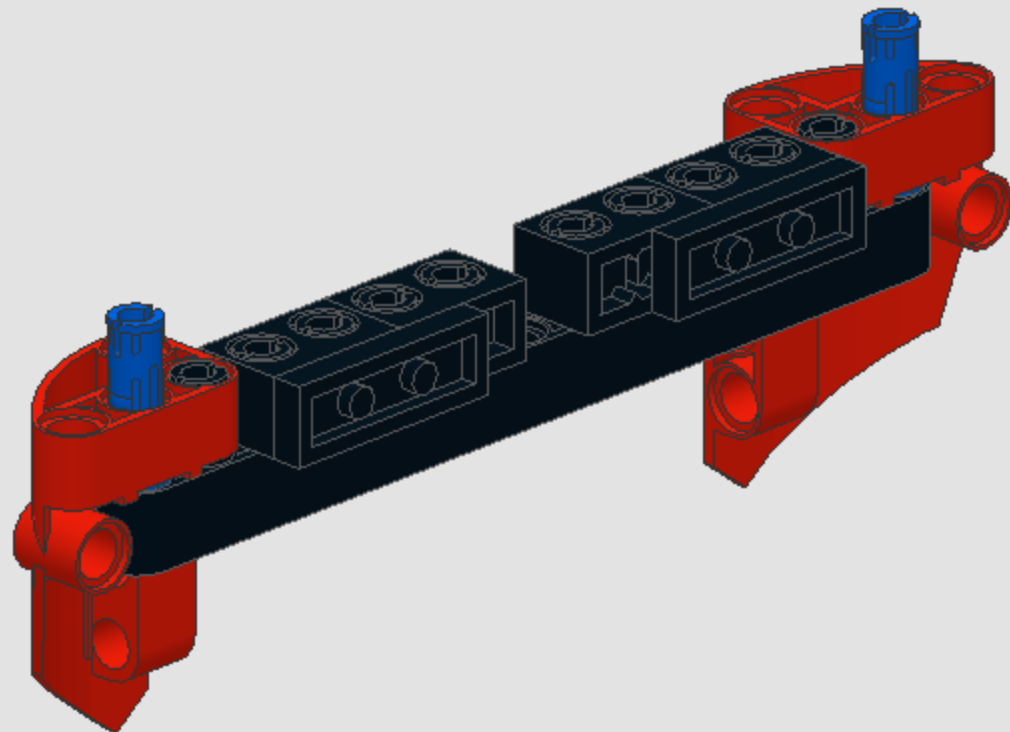
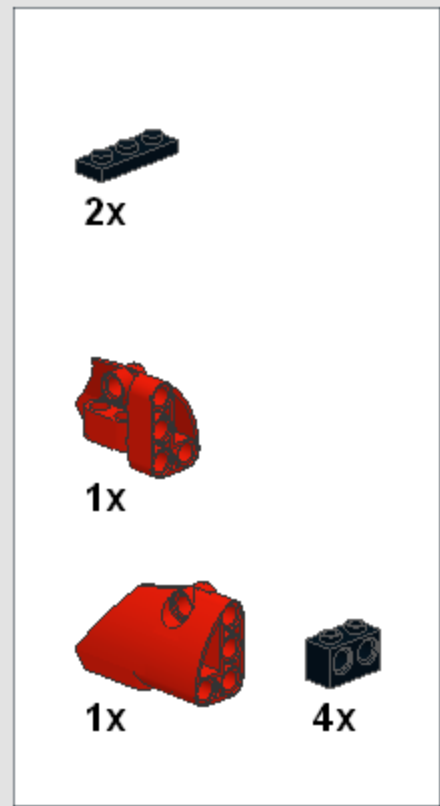


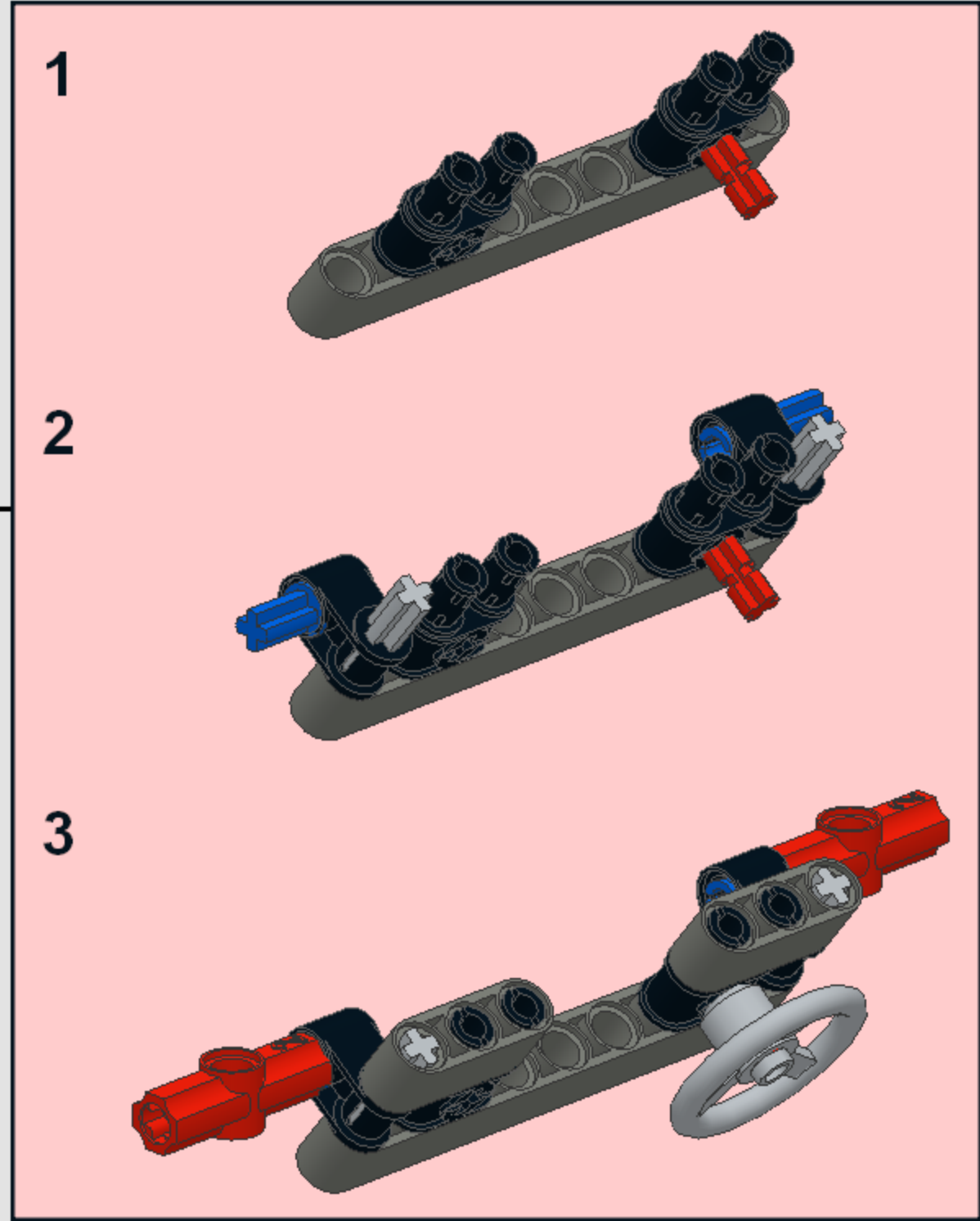
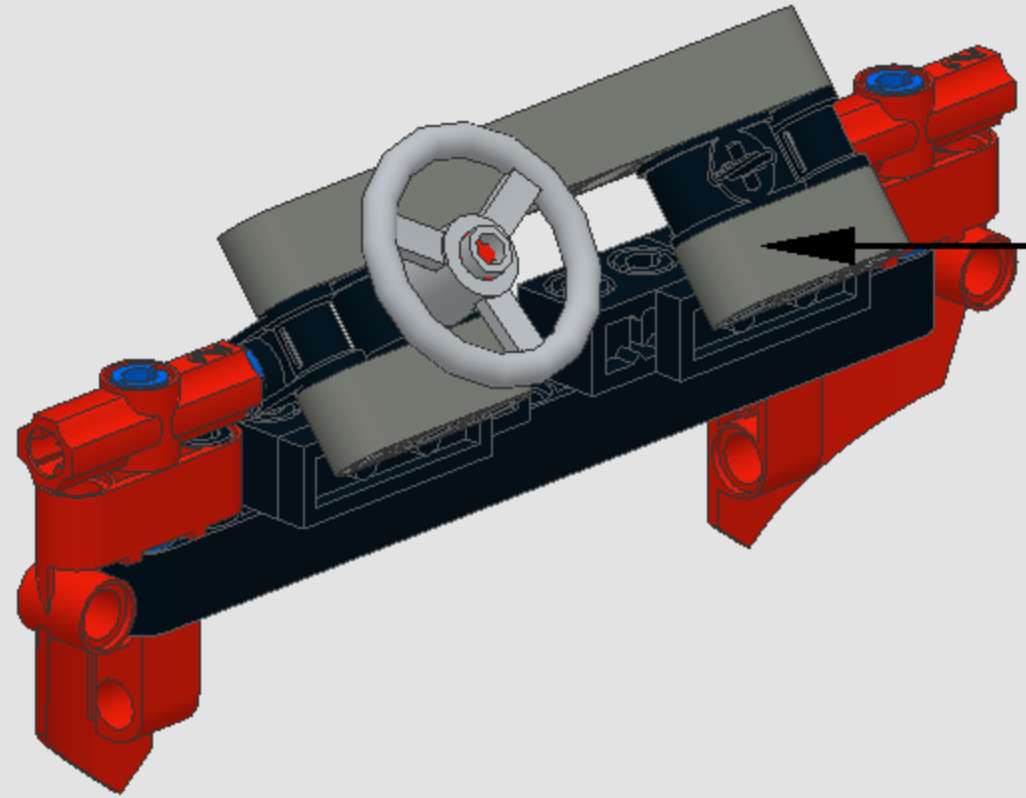
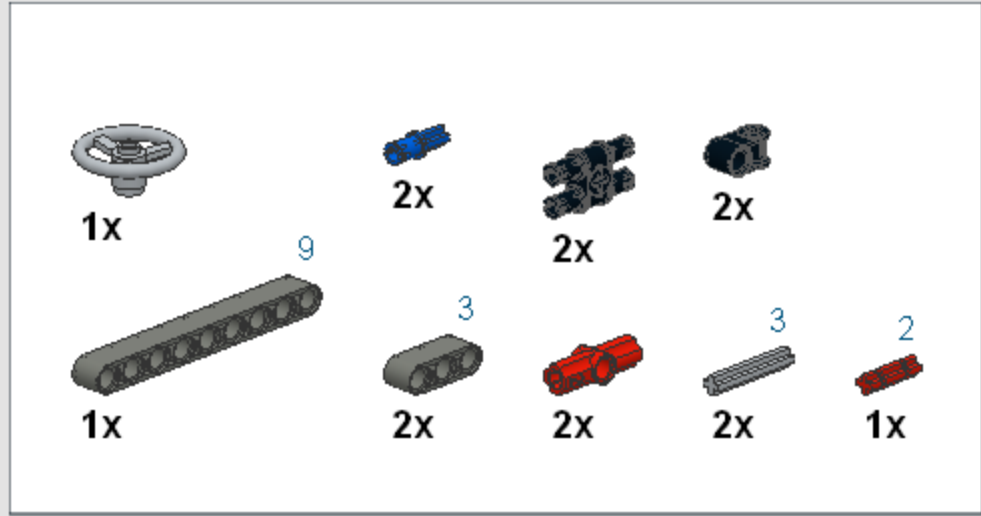


1

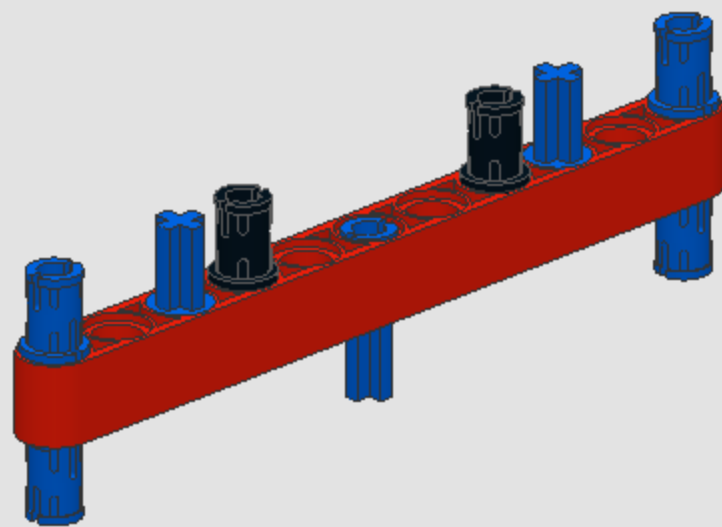
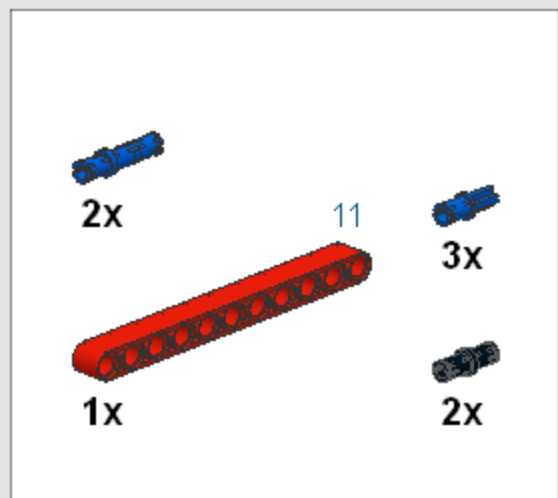


2

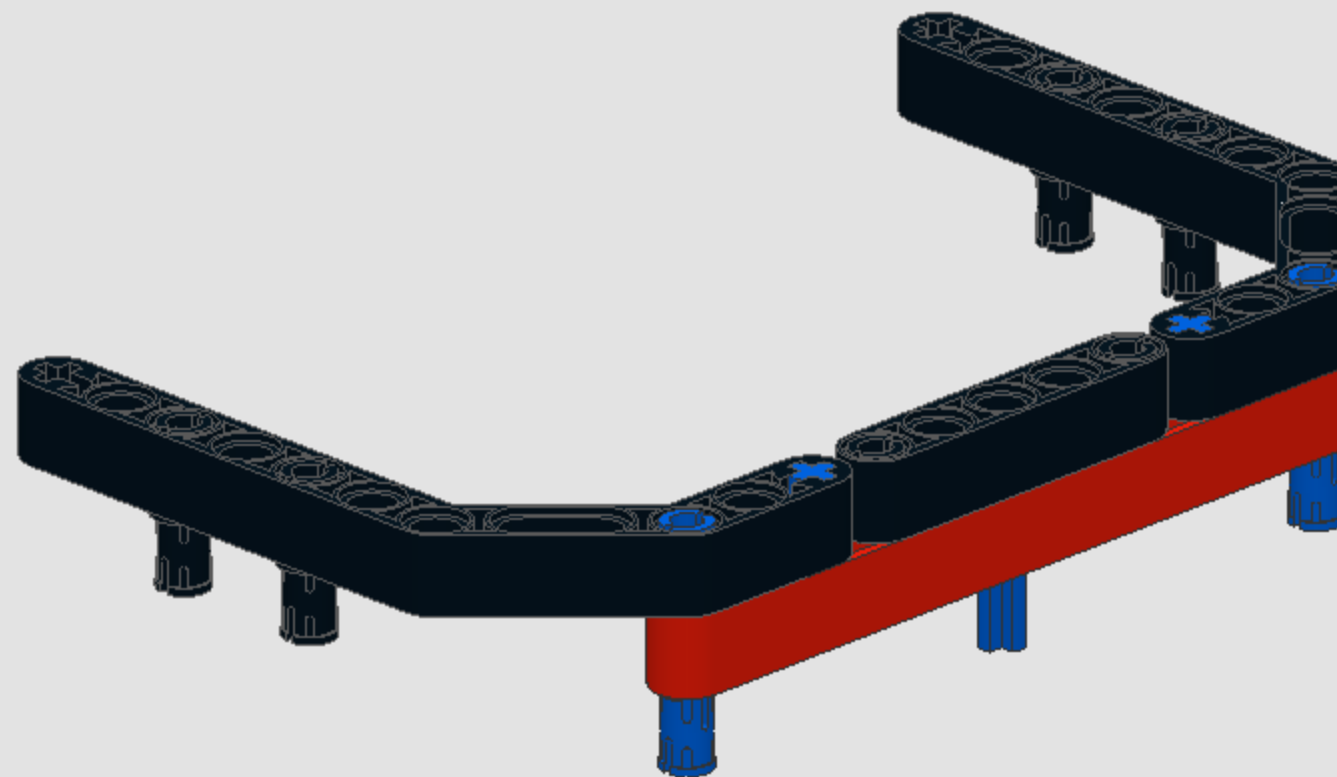
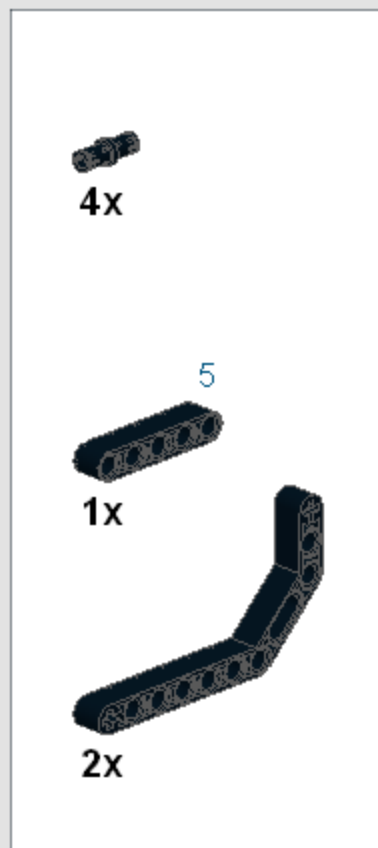




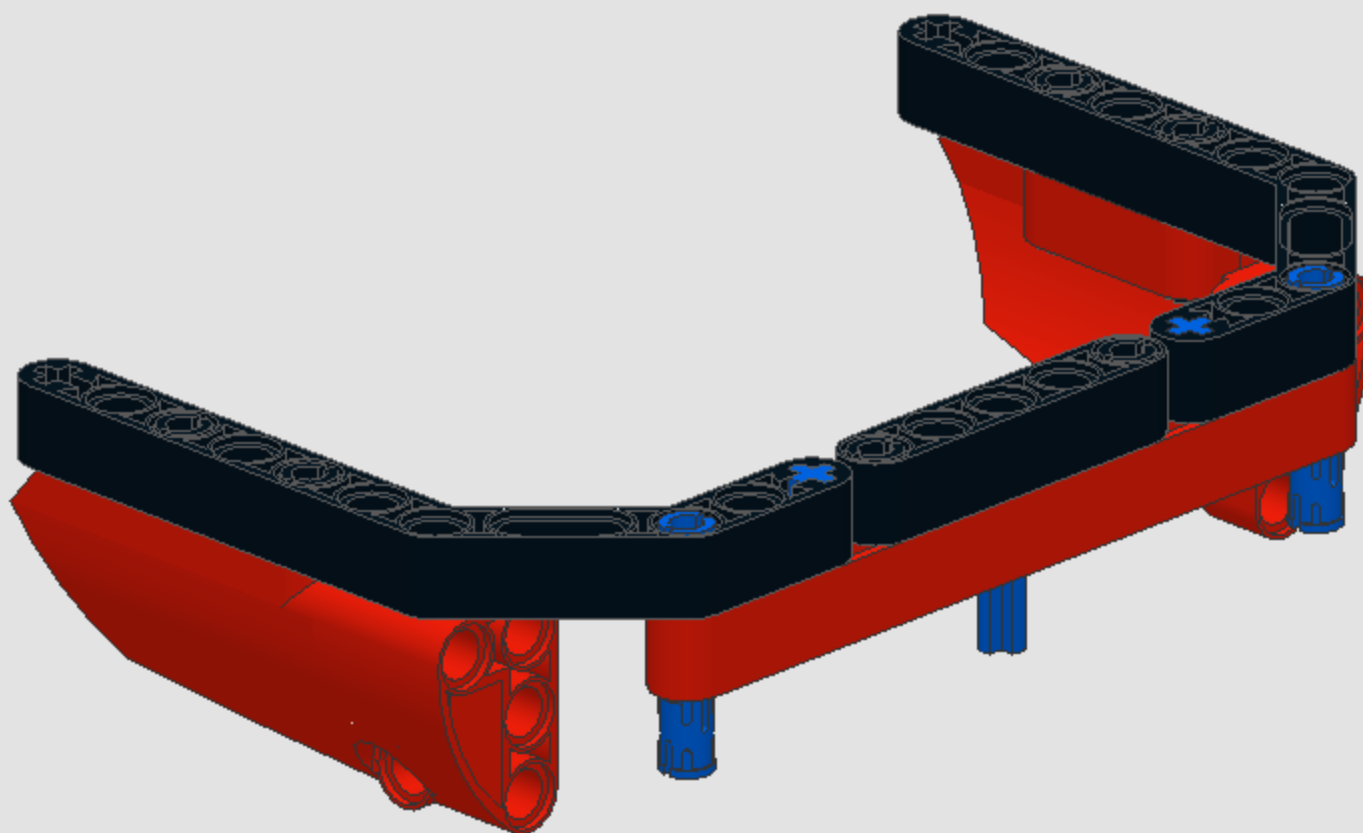
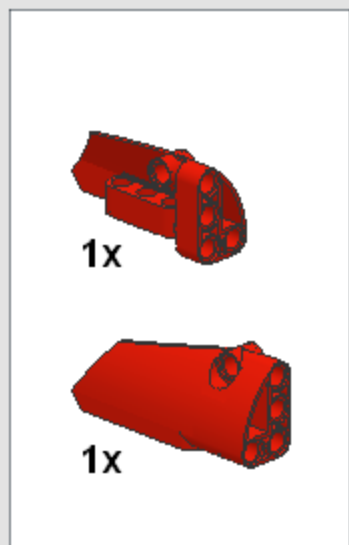
1



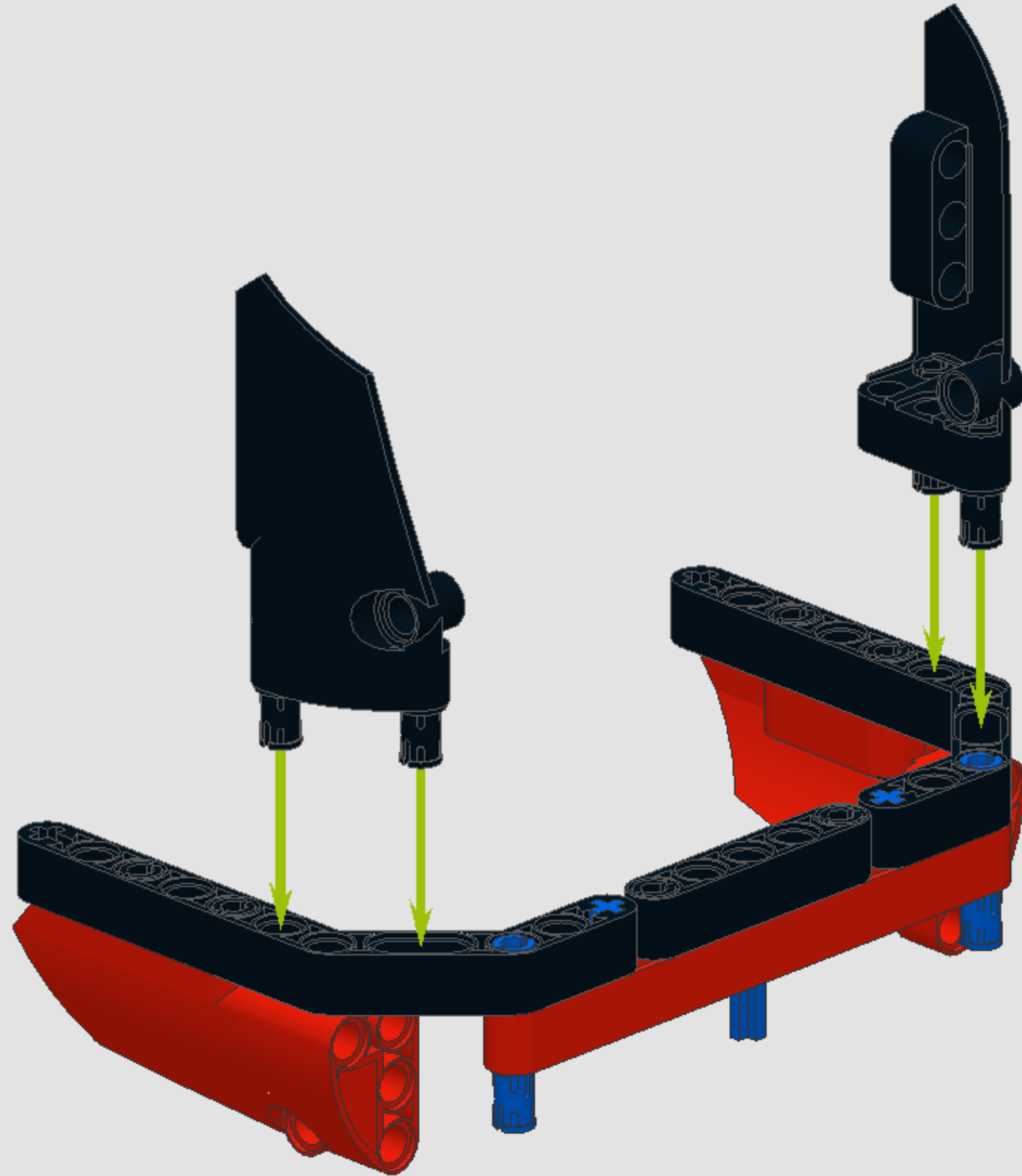
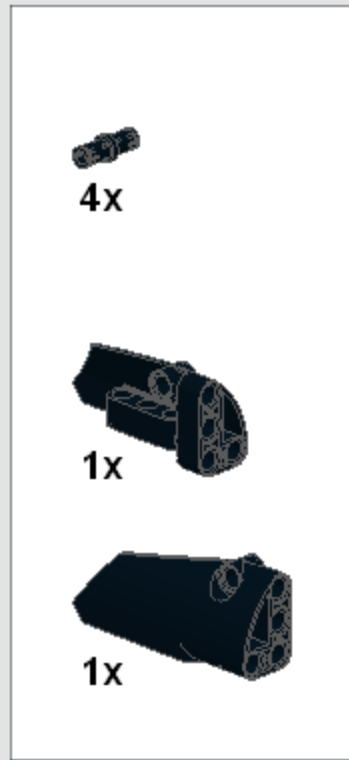
2



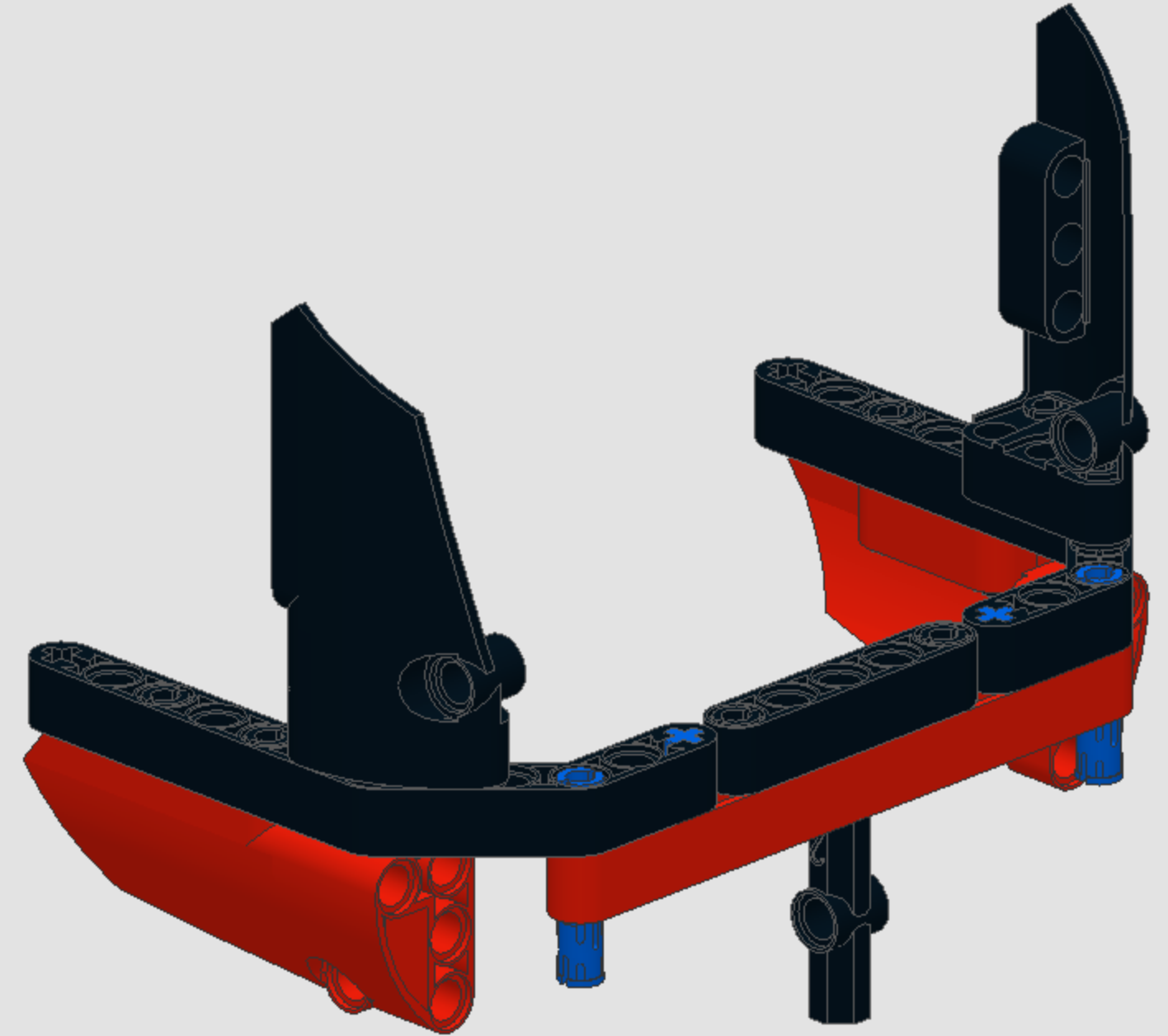
3

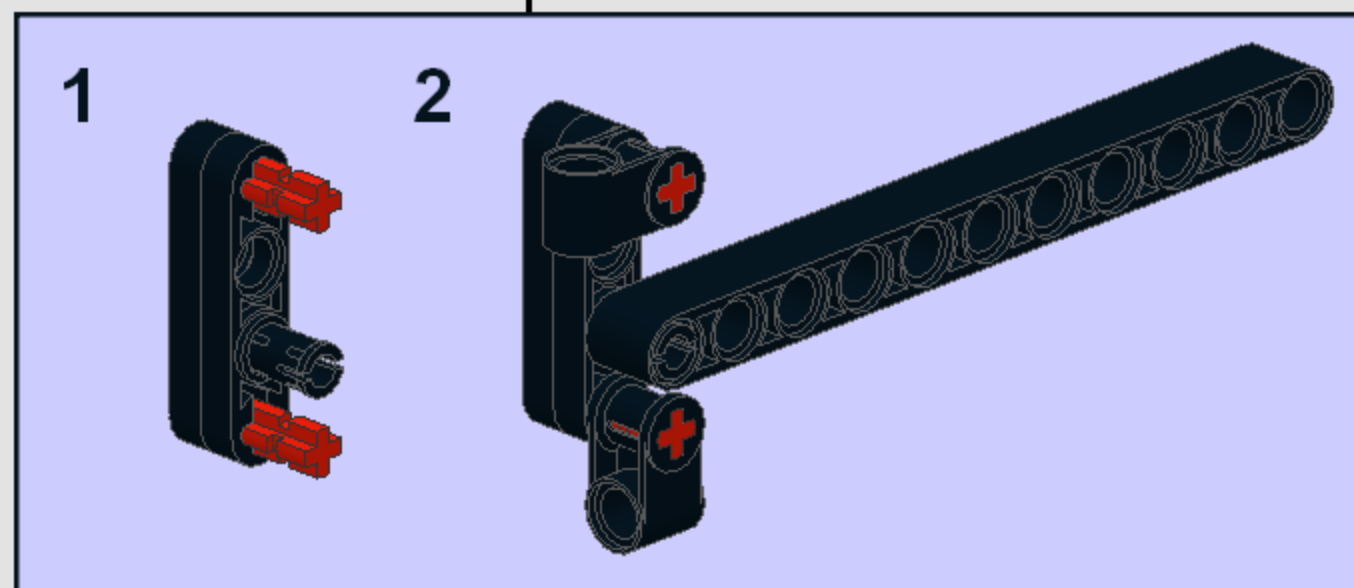
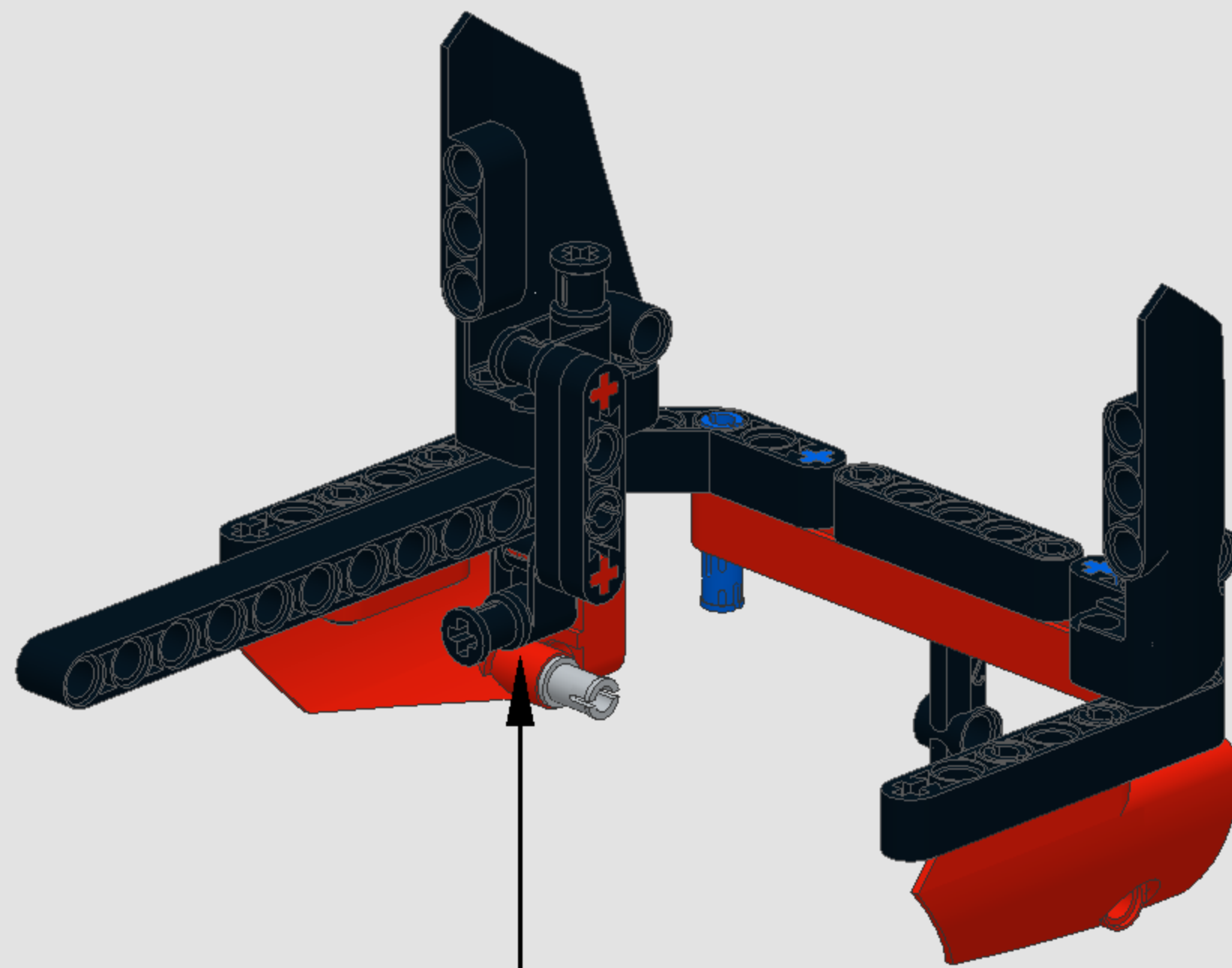
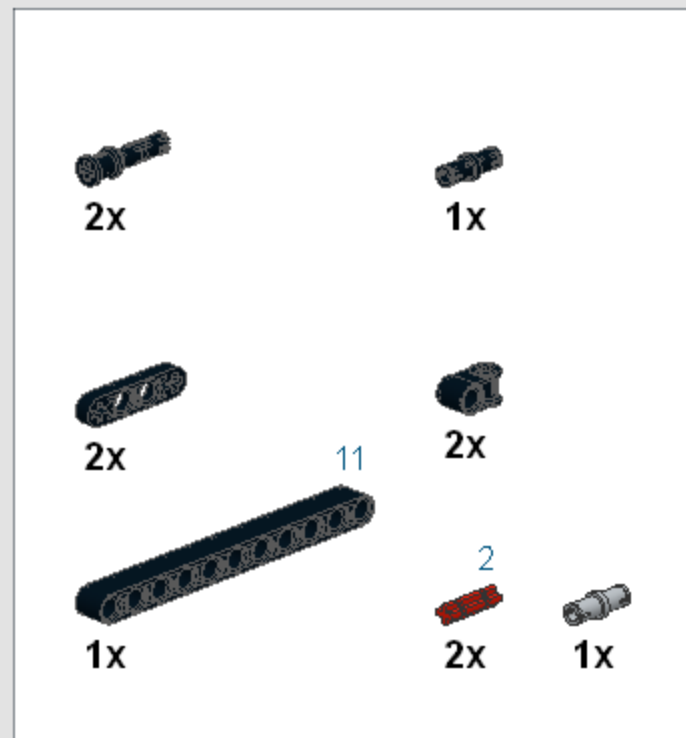


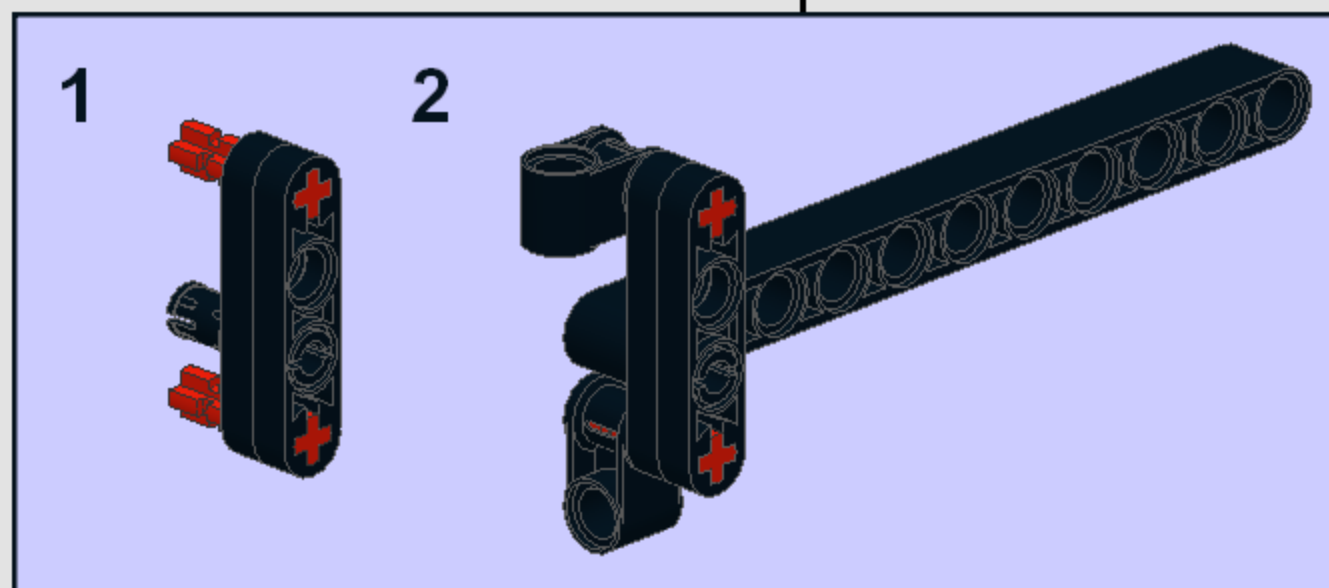
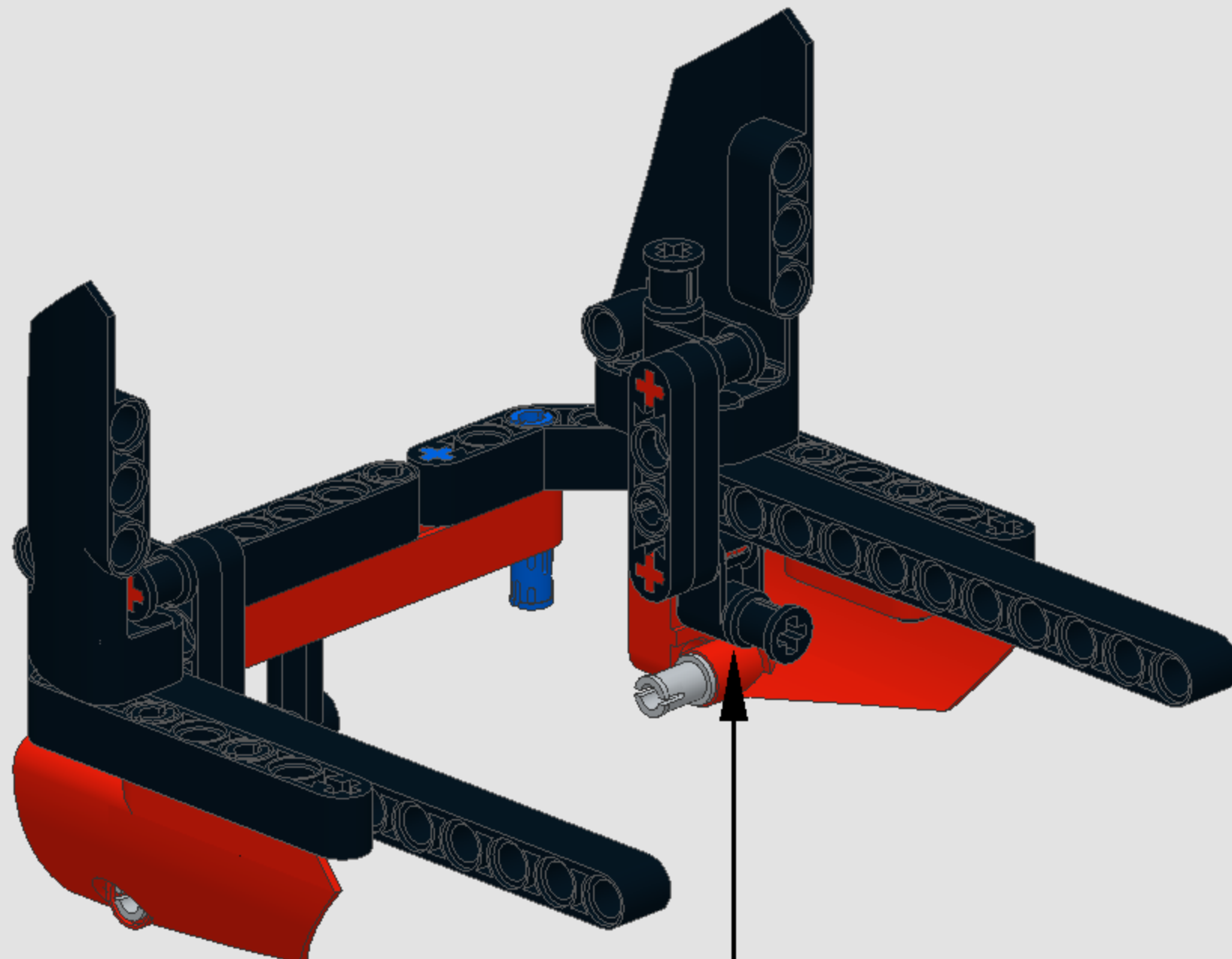
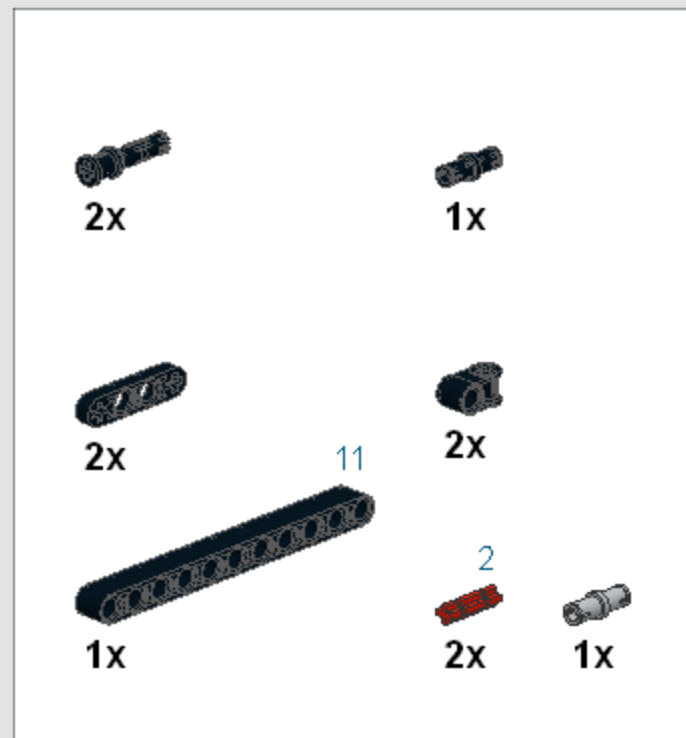
4

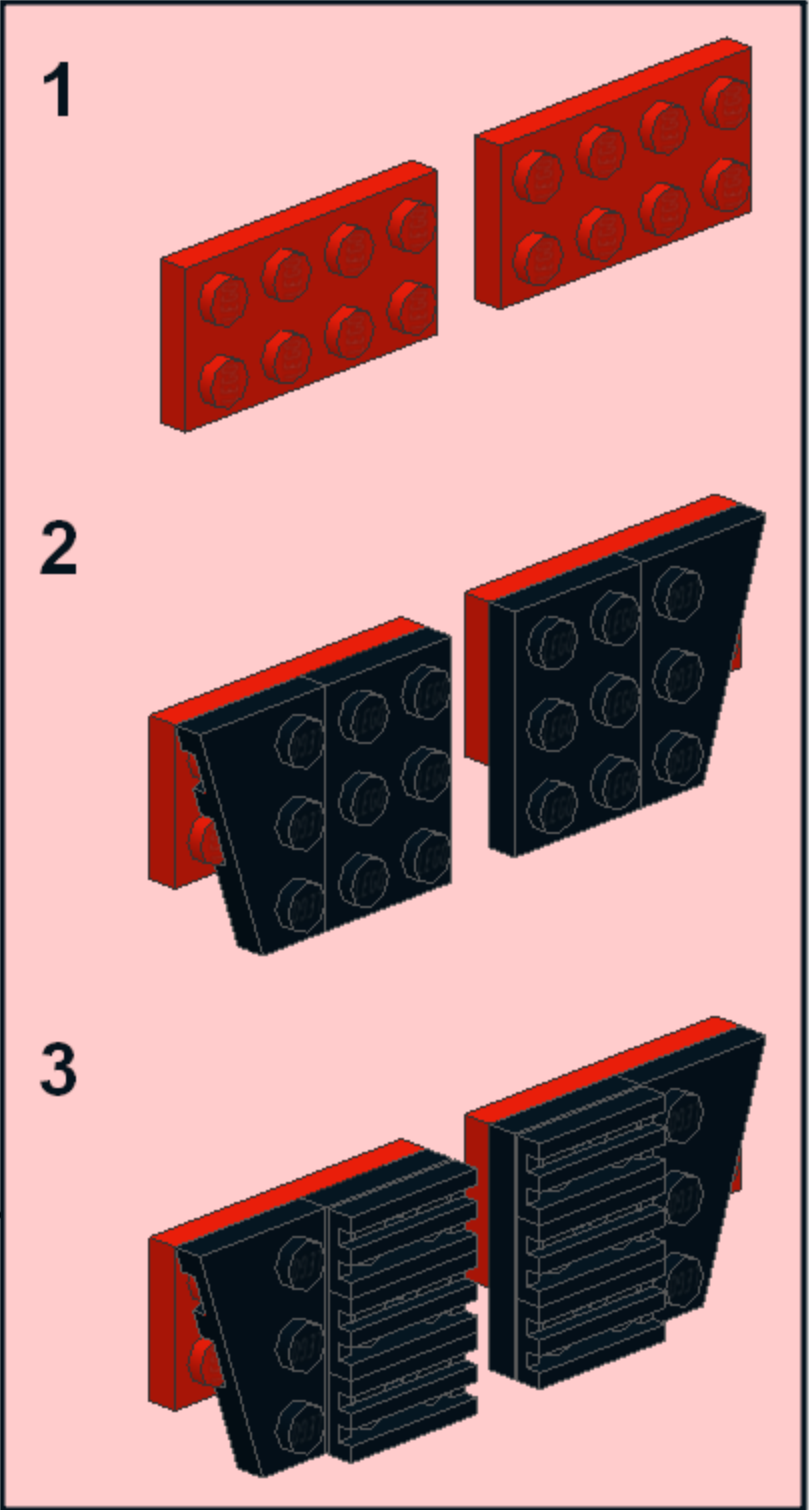
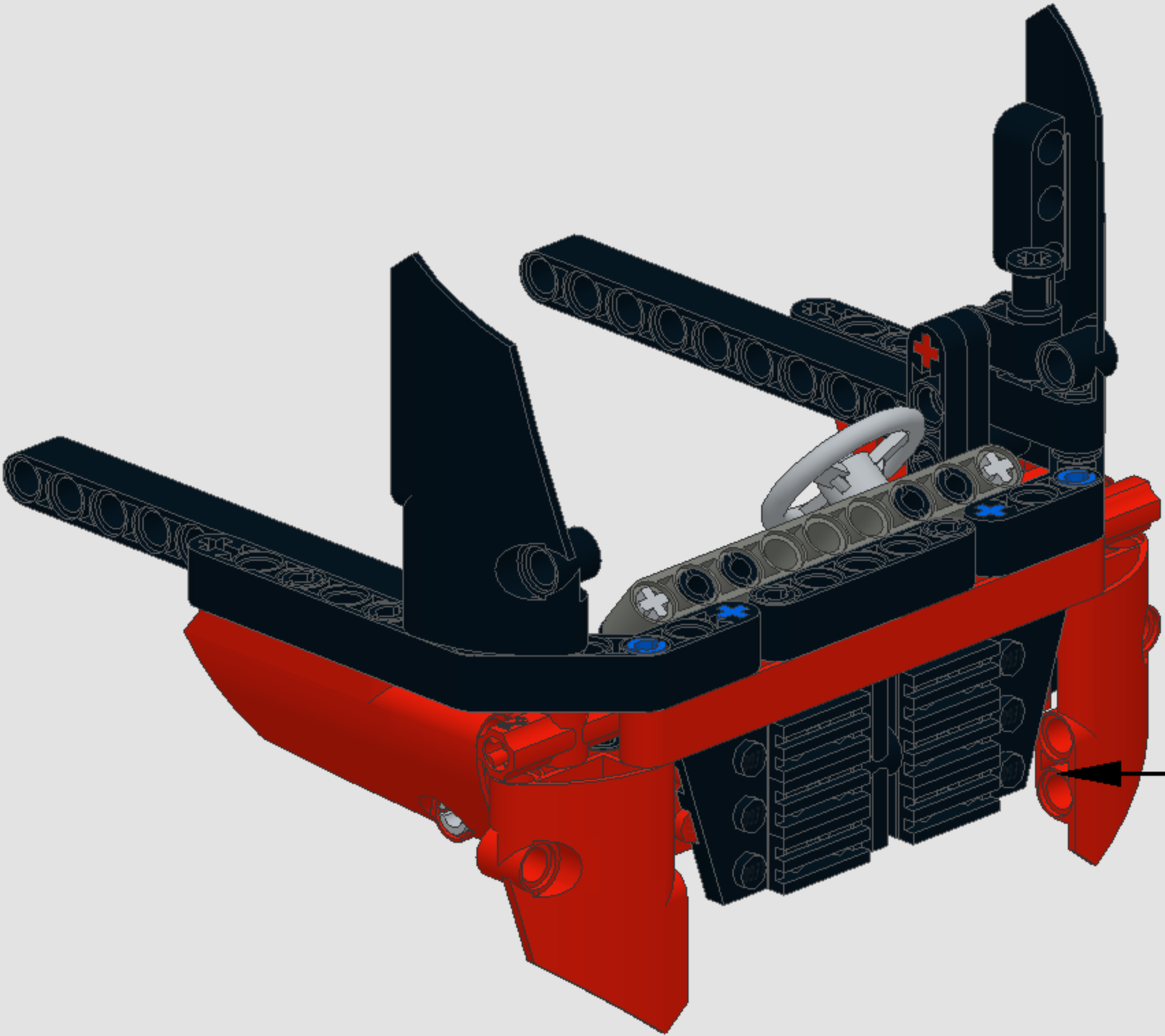
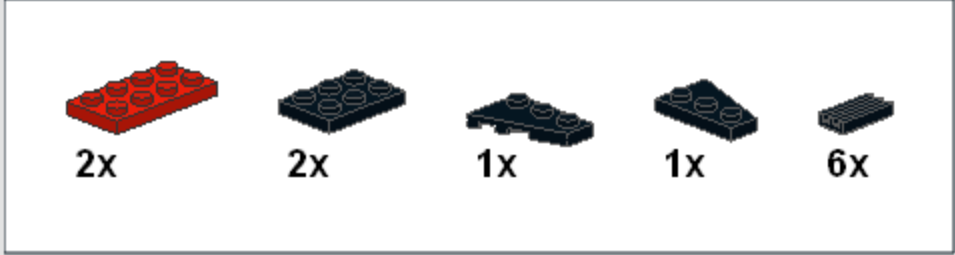


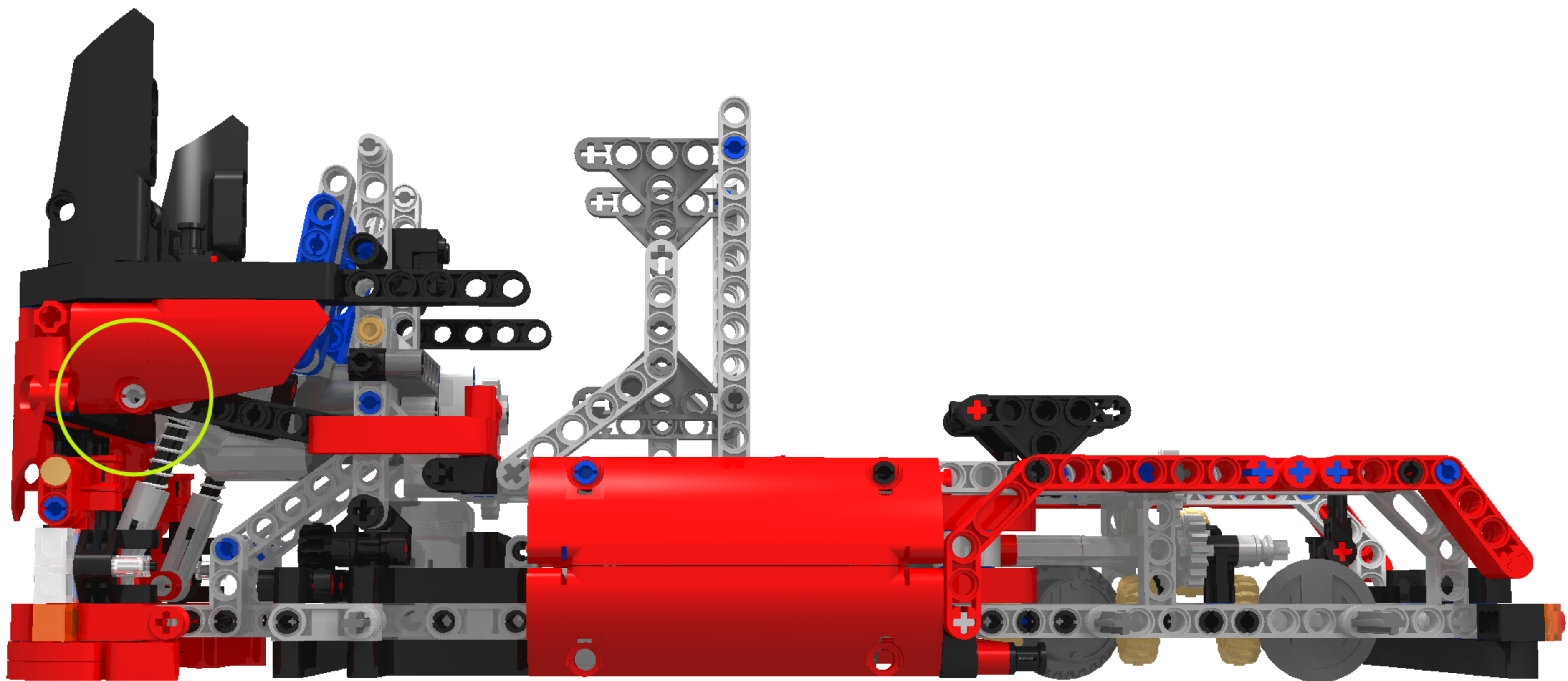
5

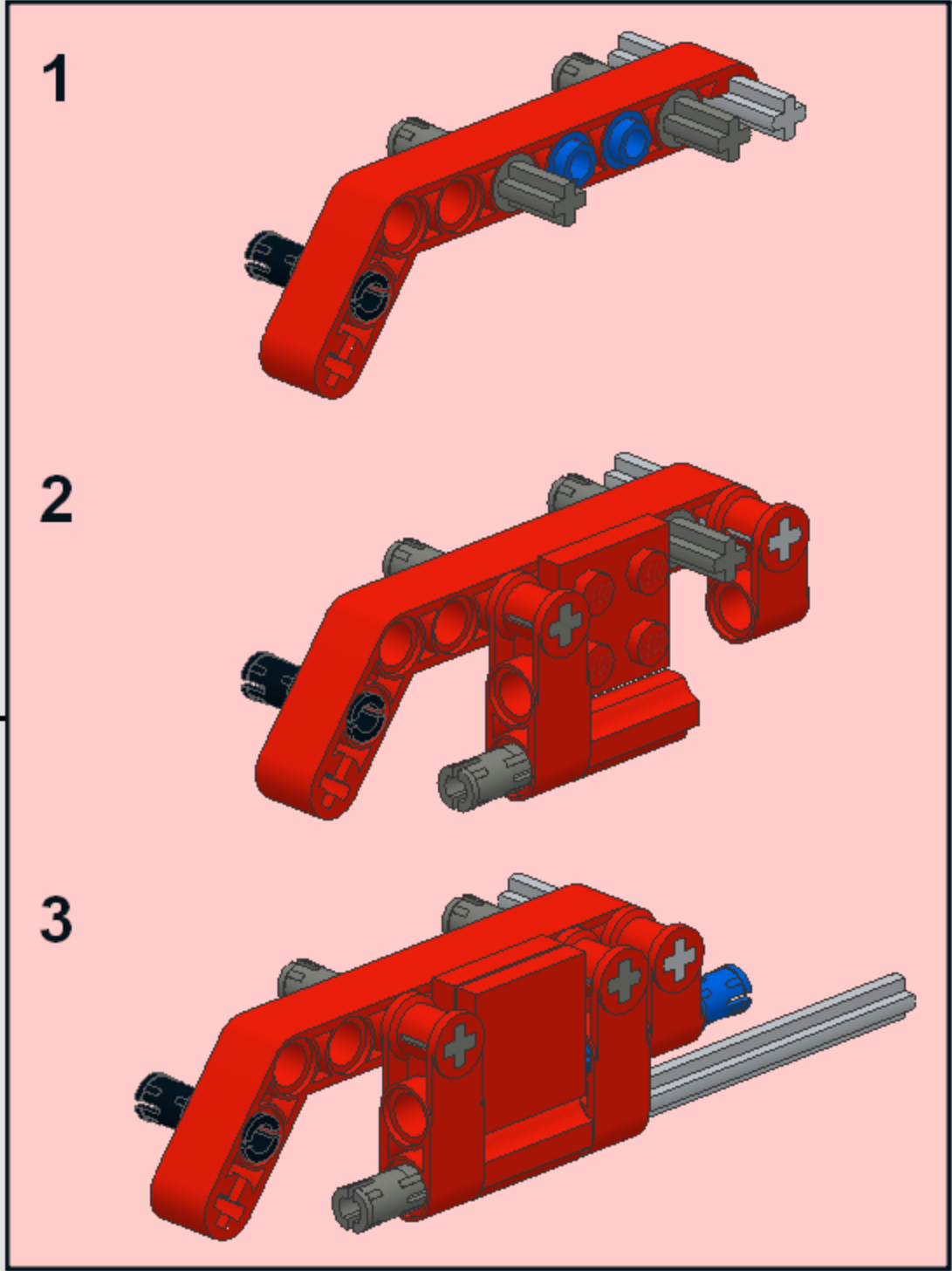
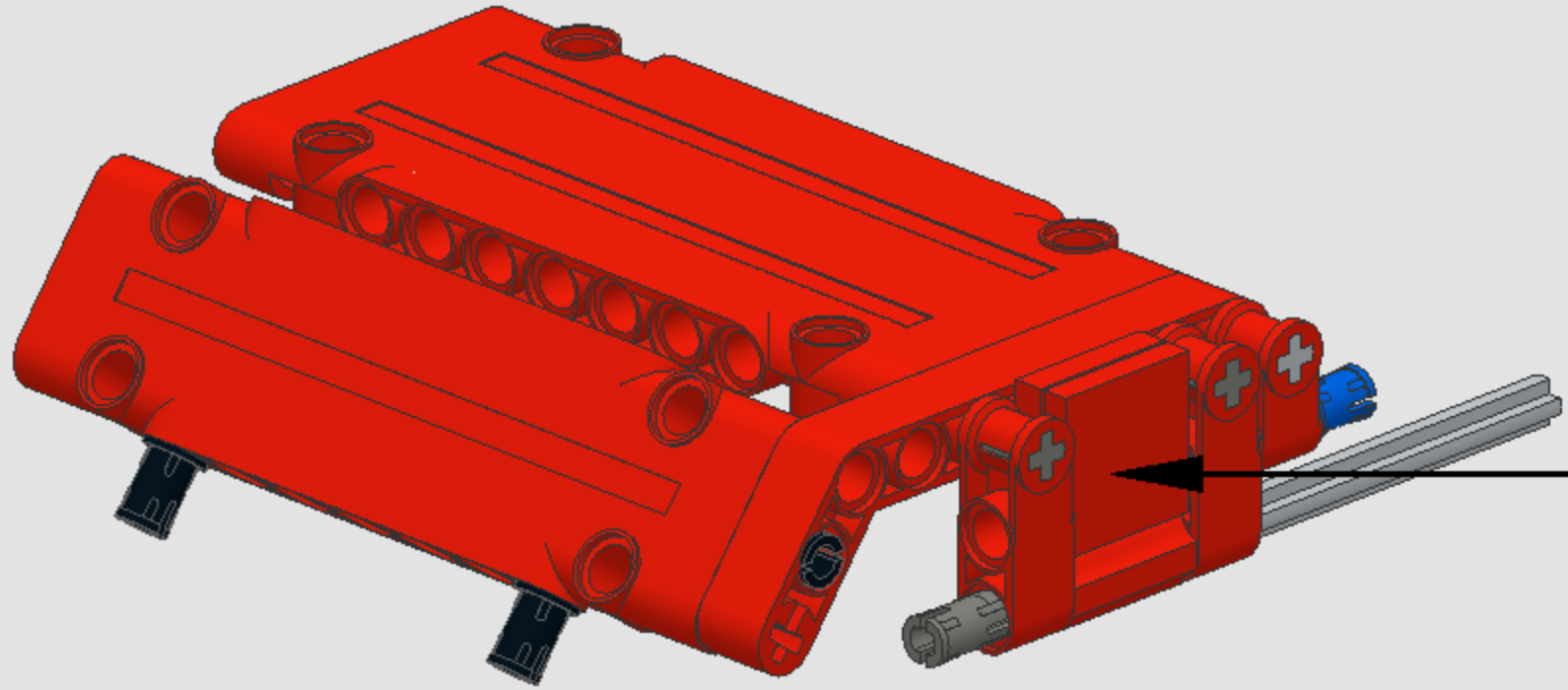
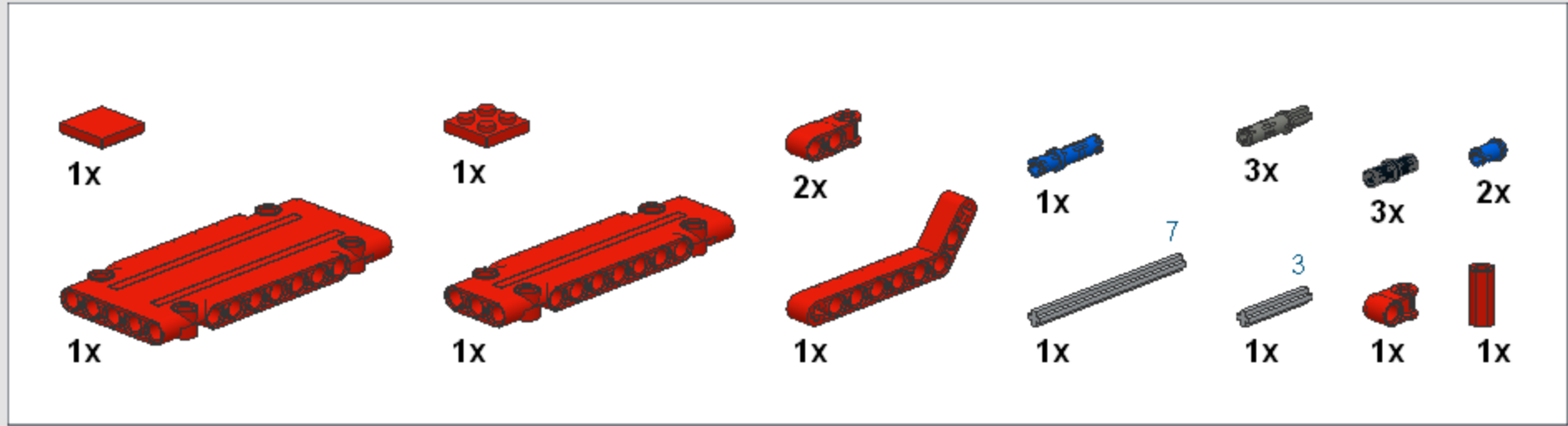


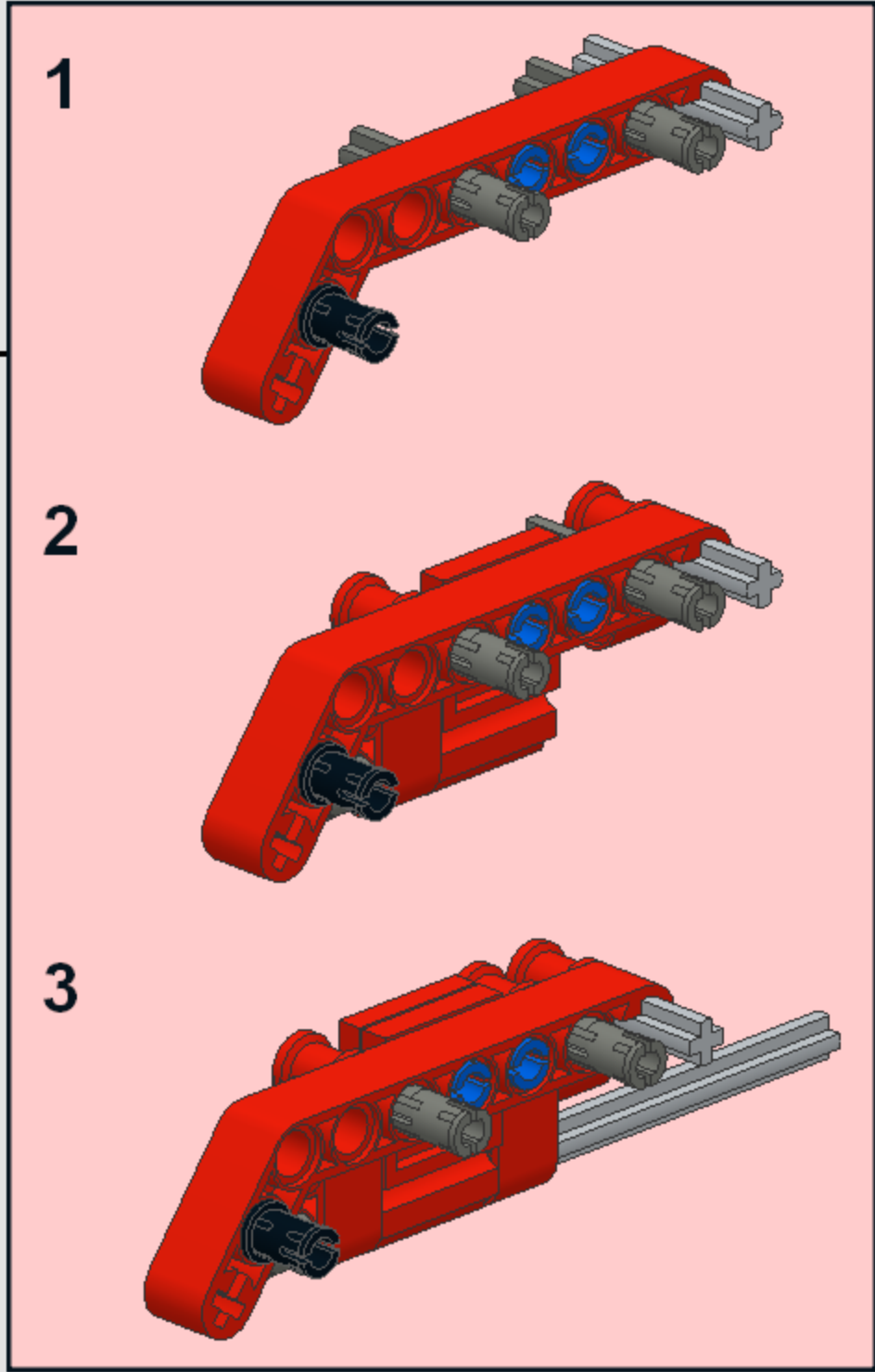
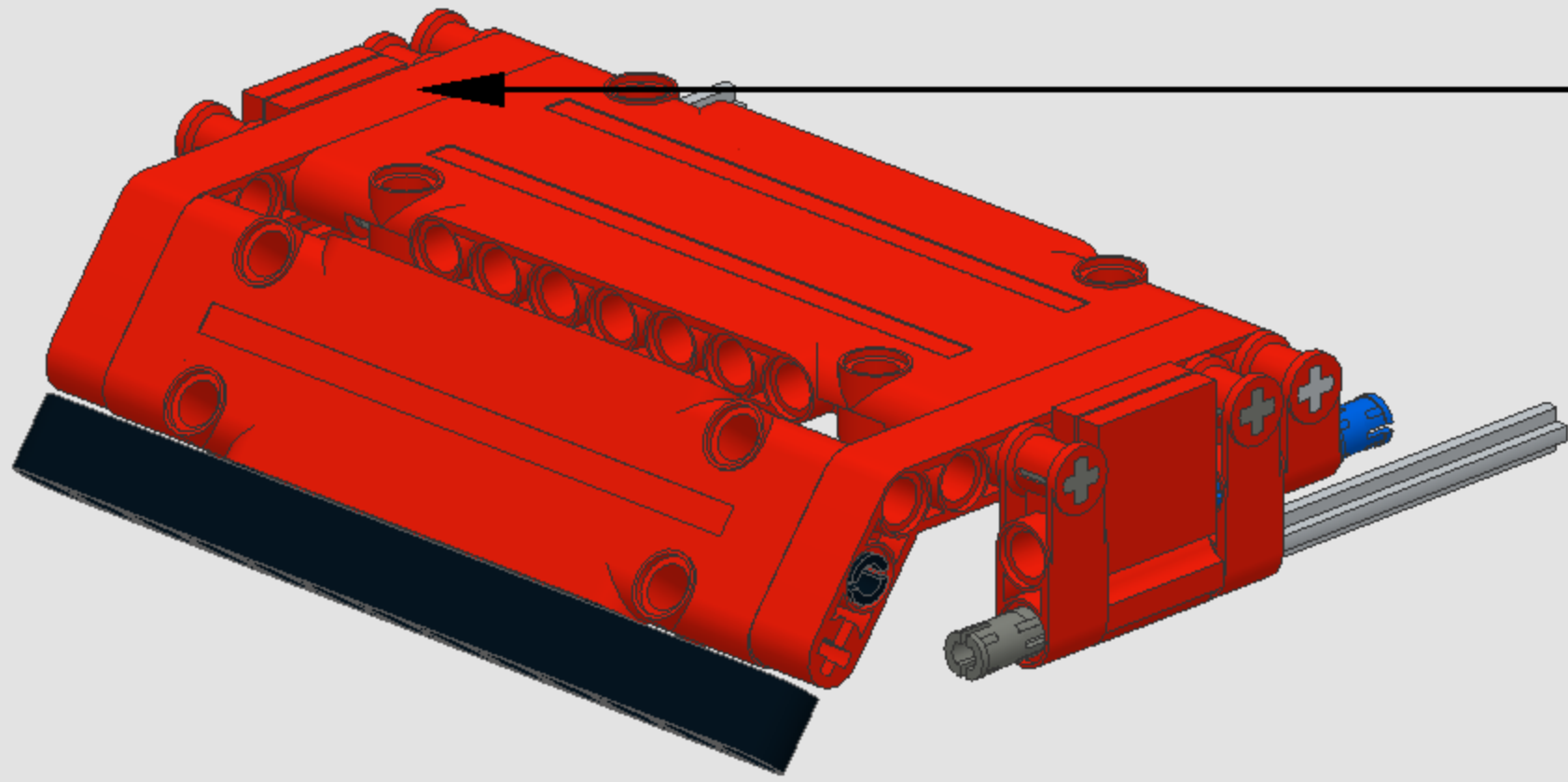
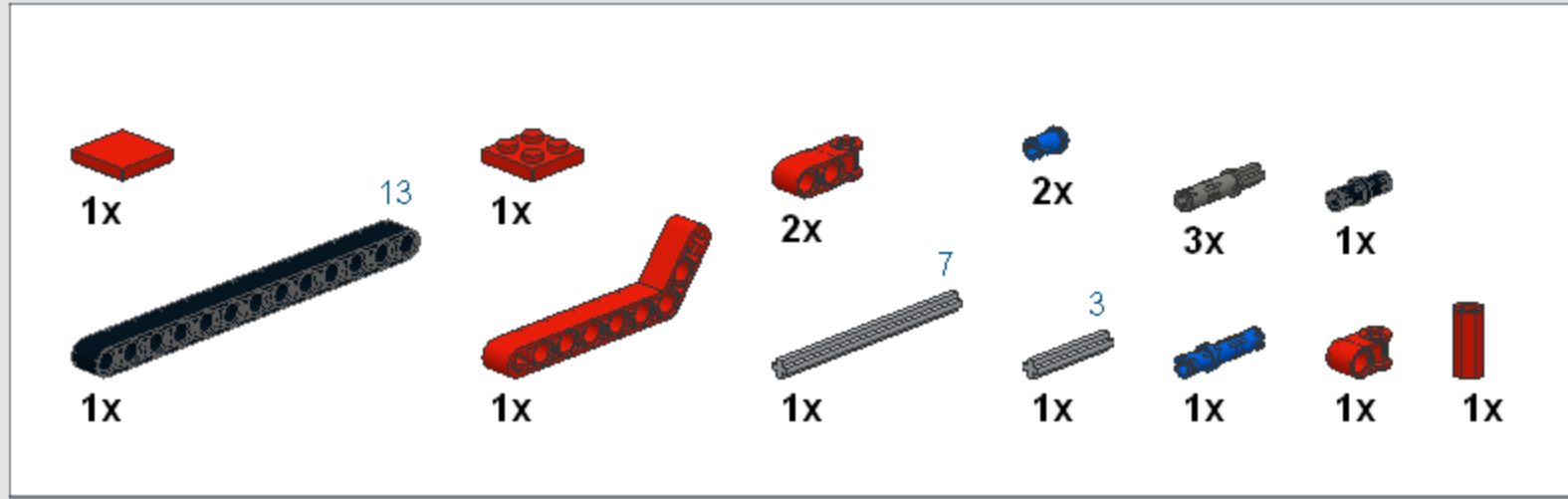




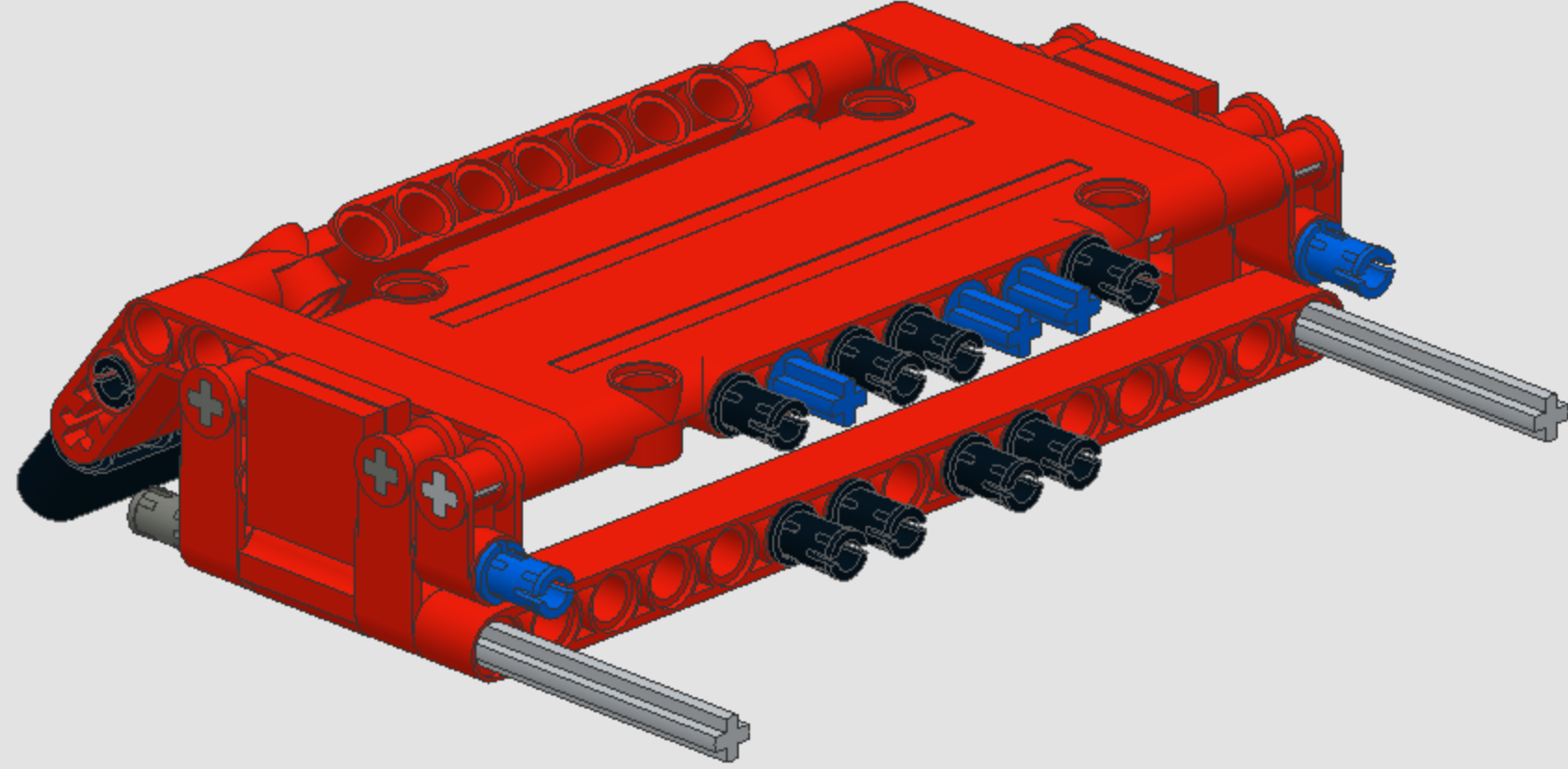
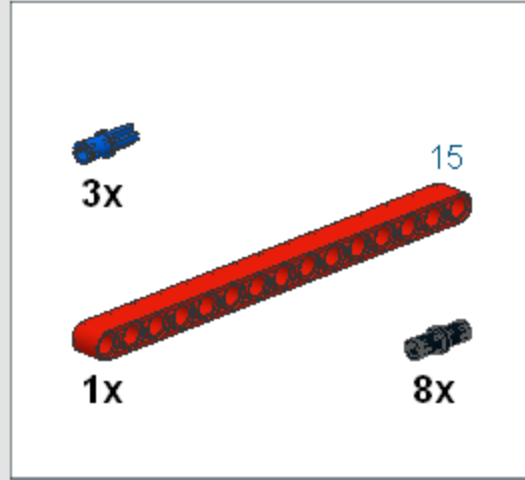




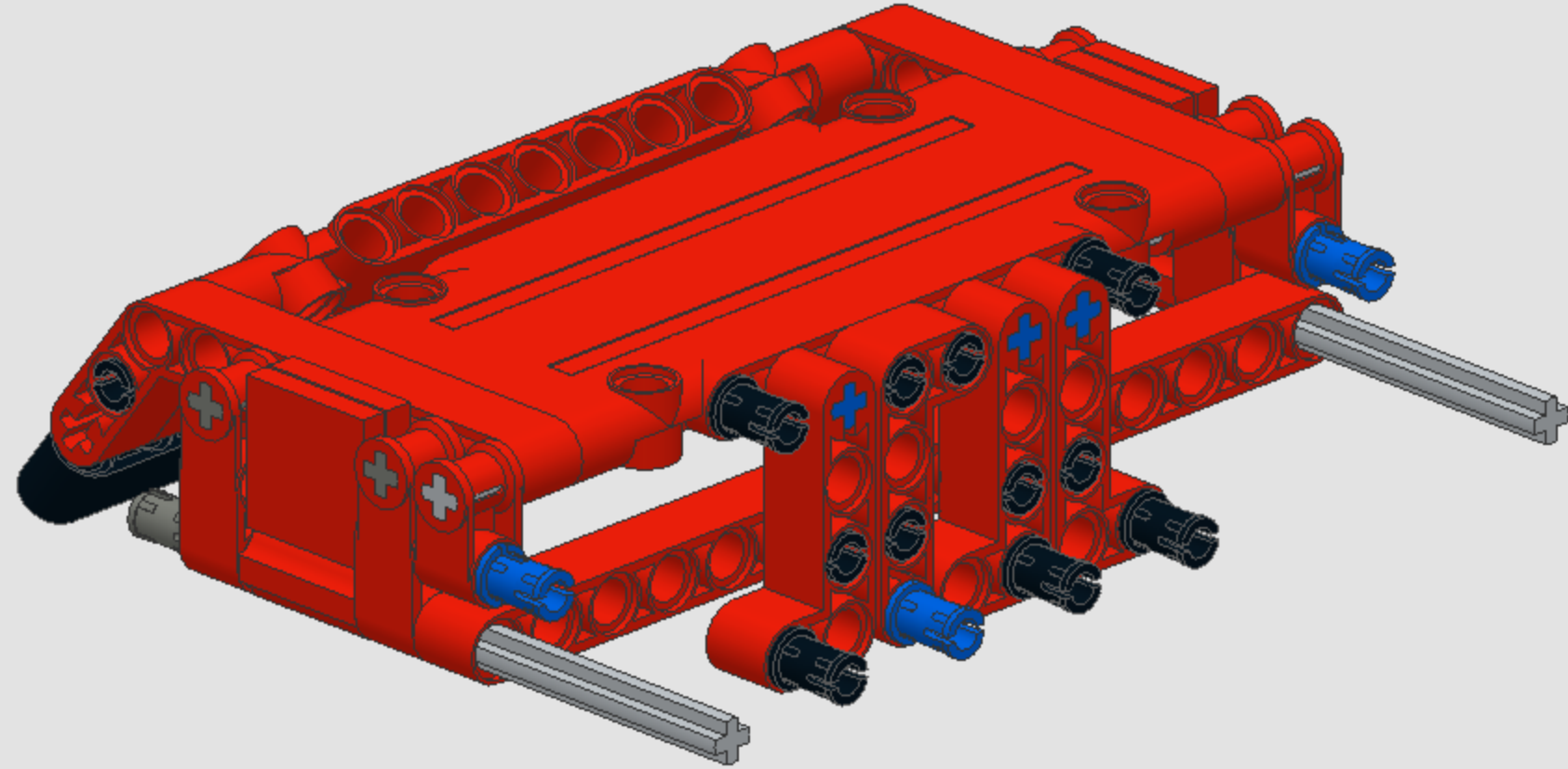


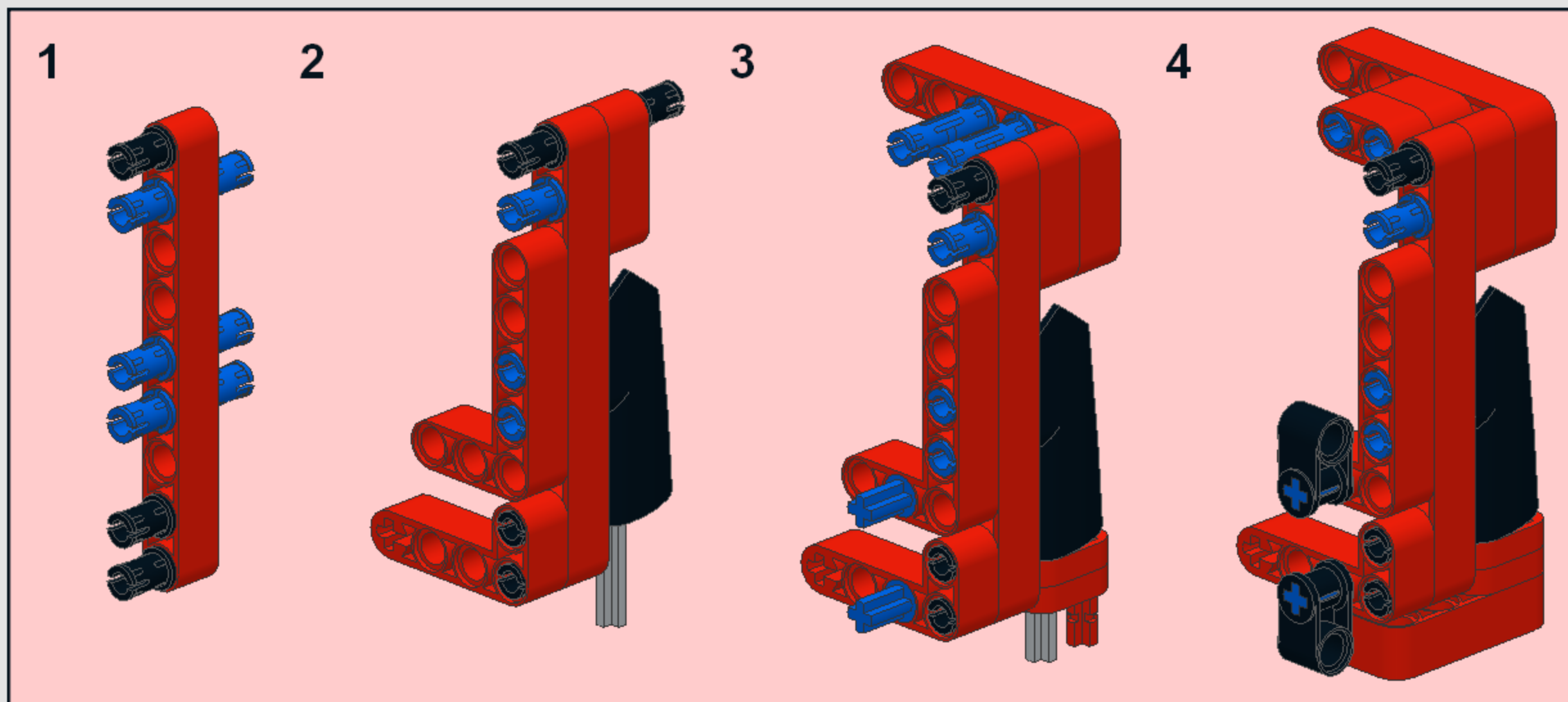
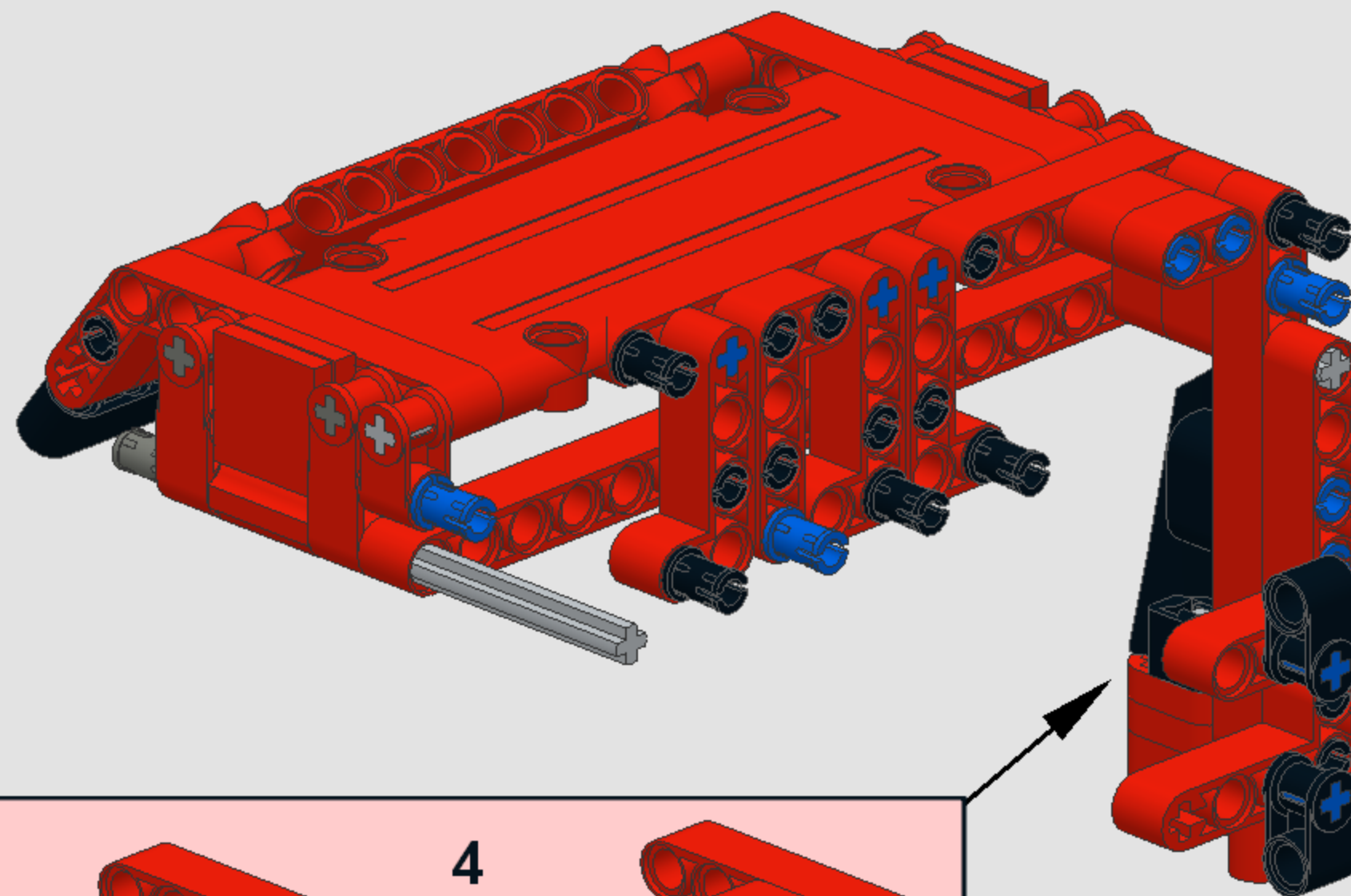
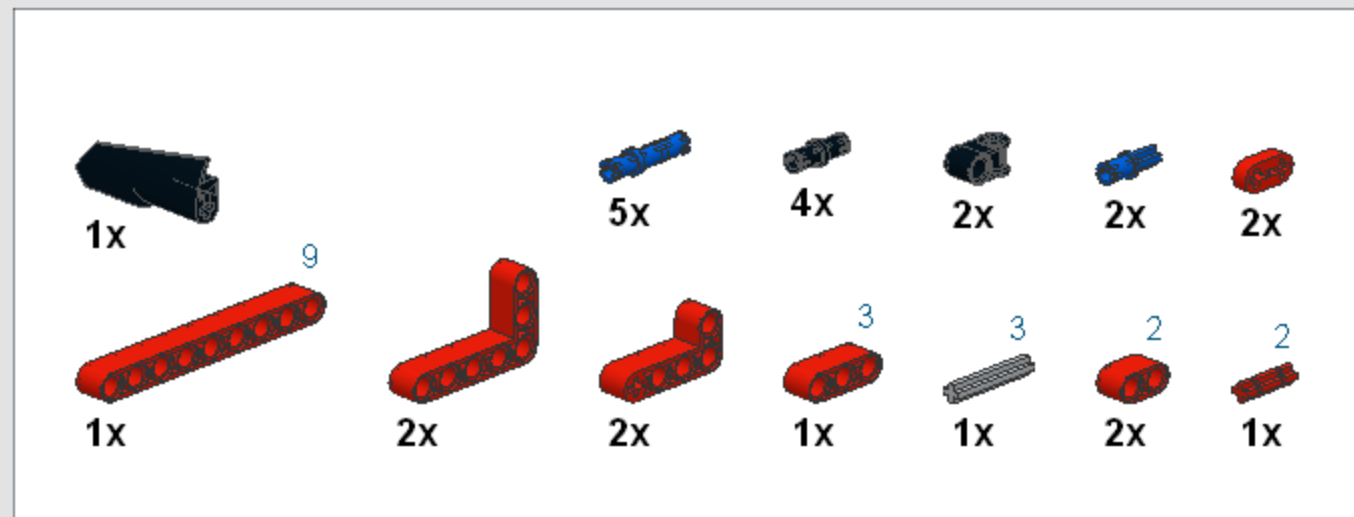


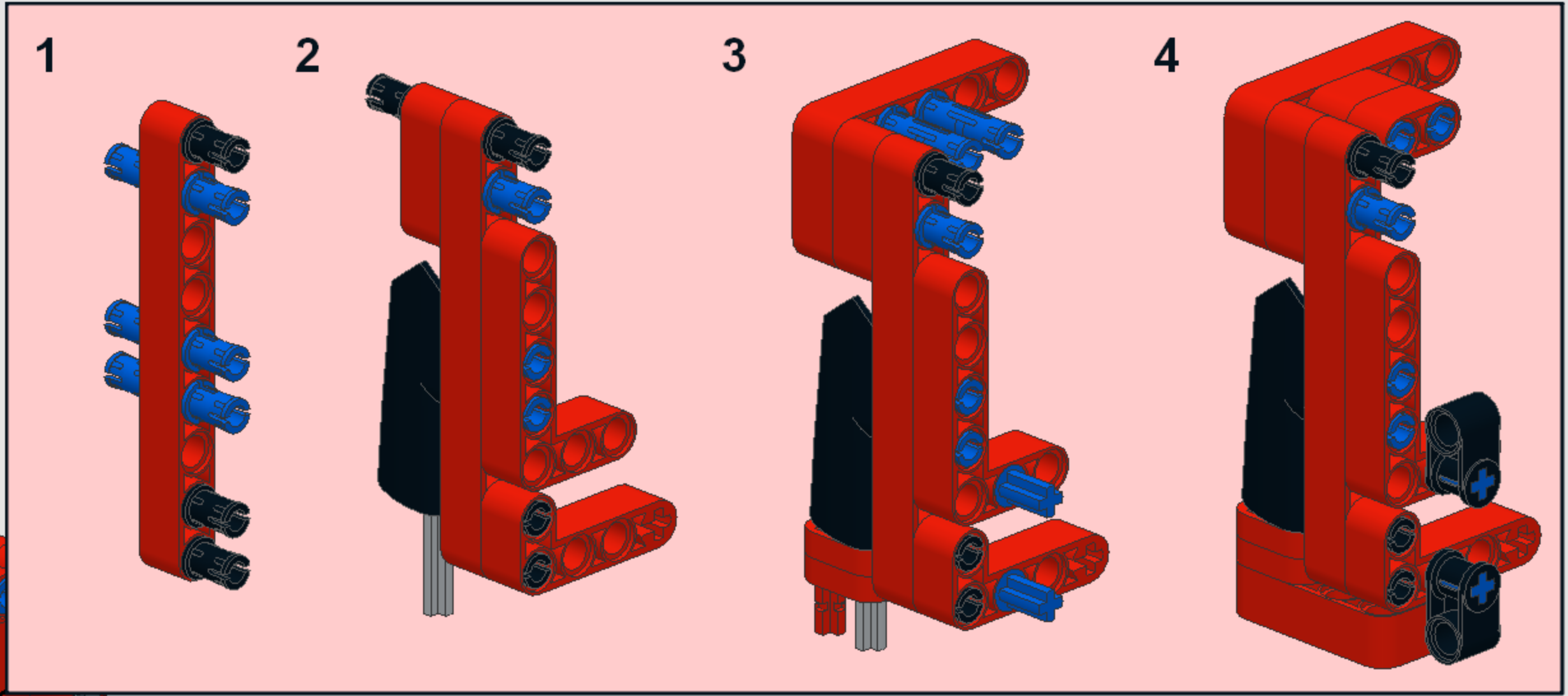
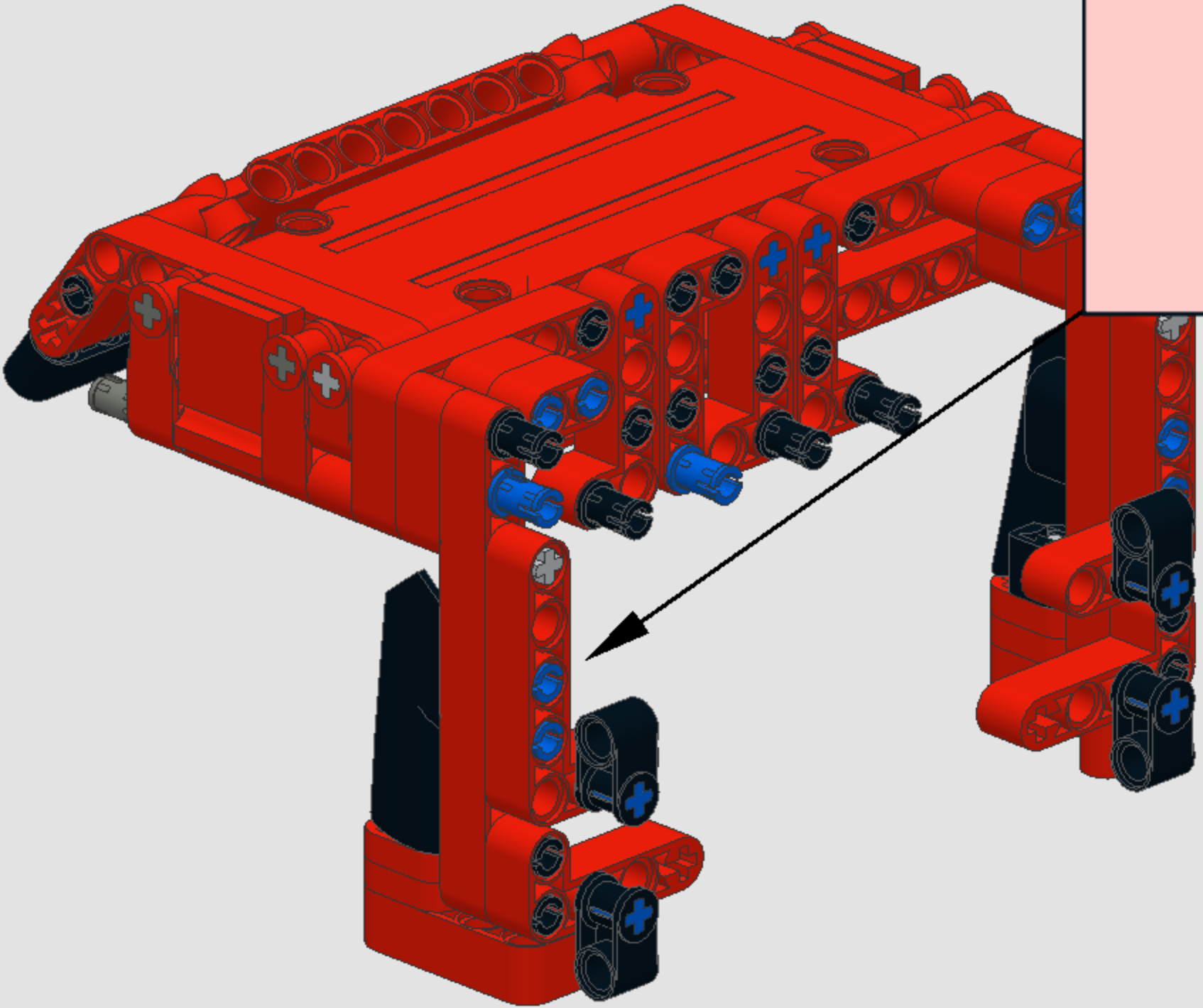
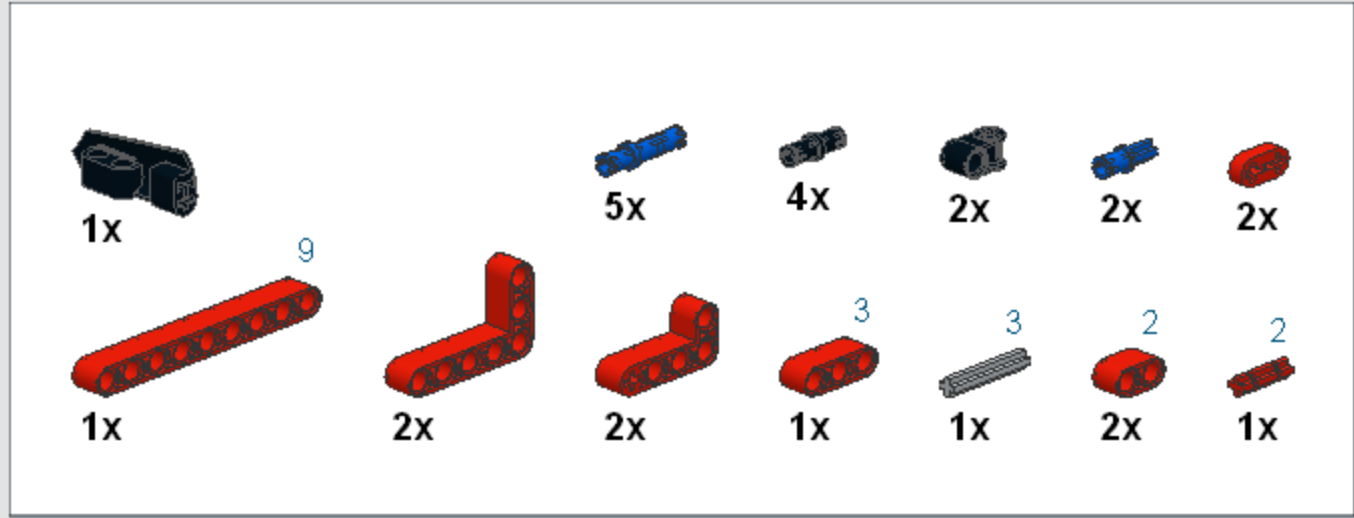
3

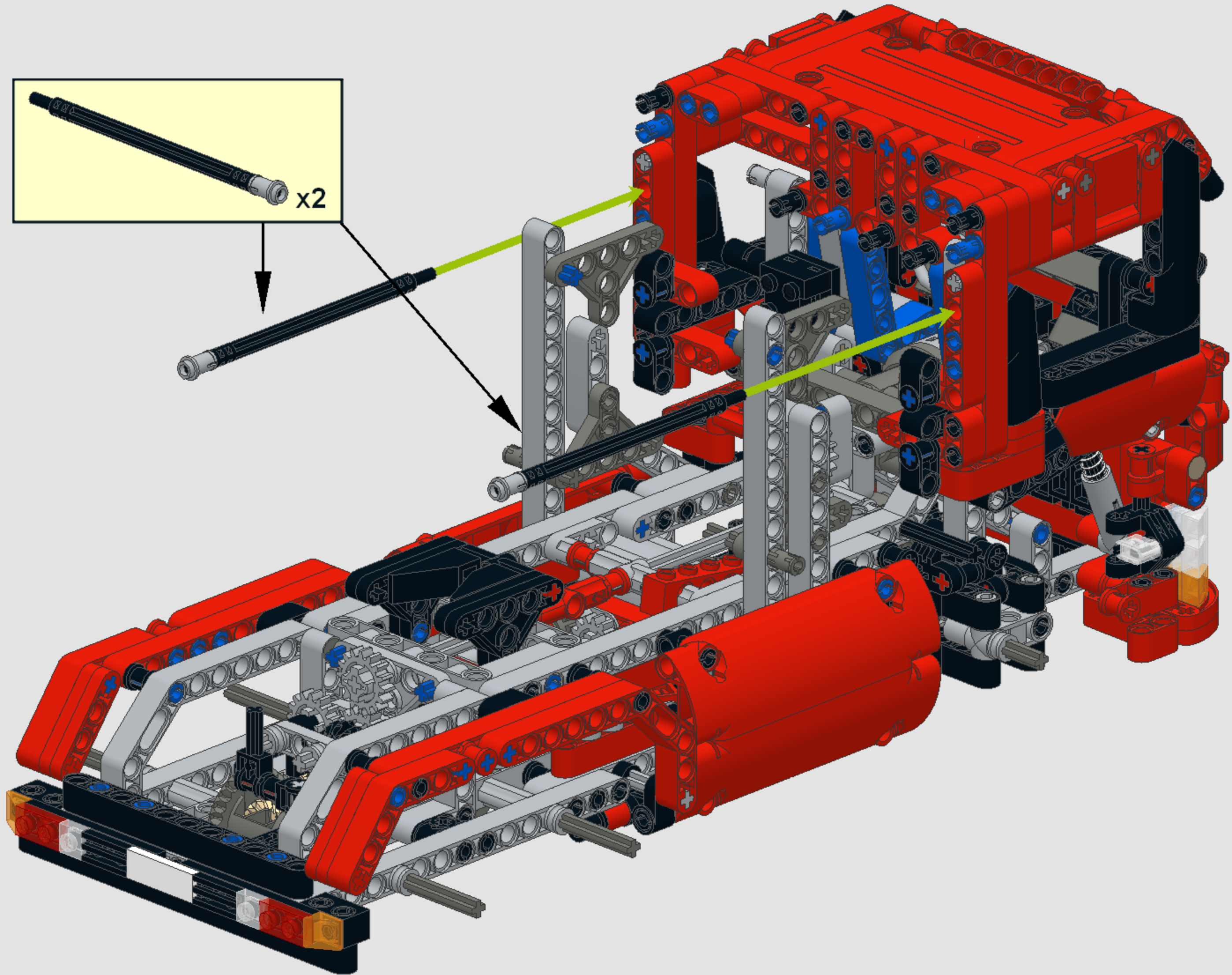
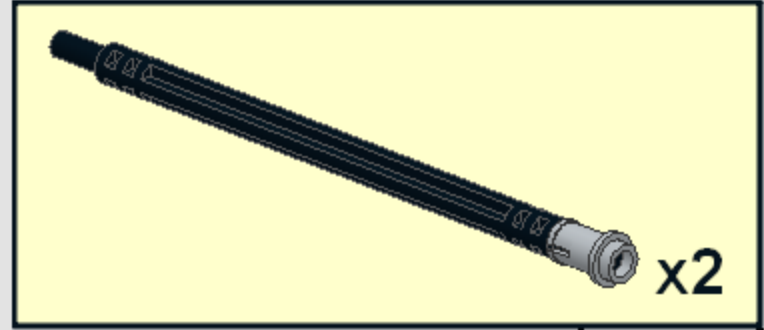
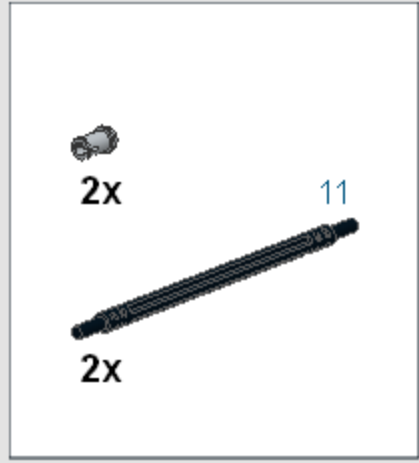


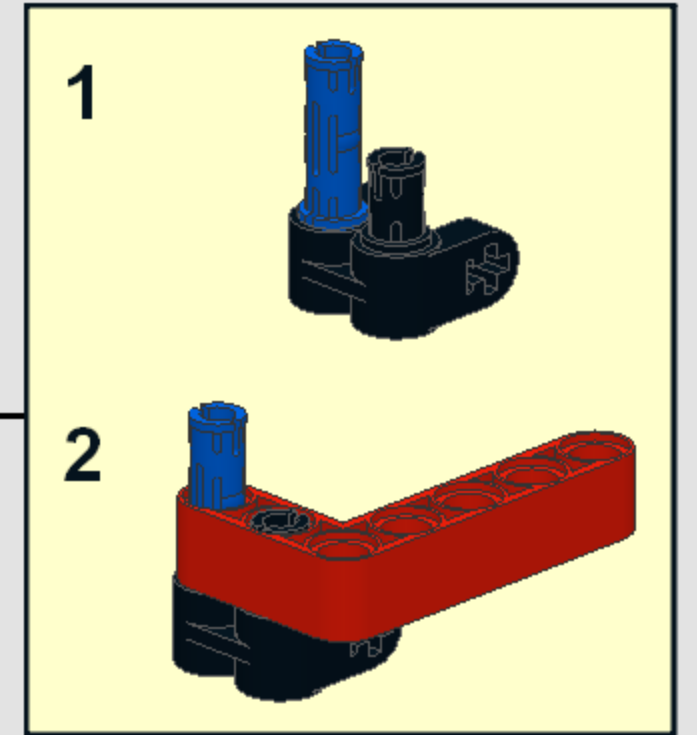
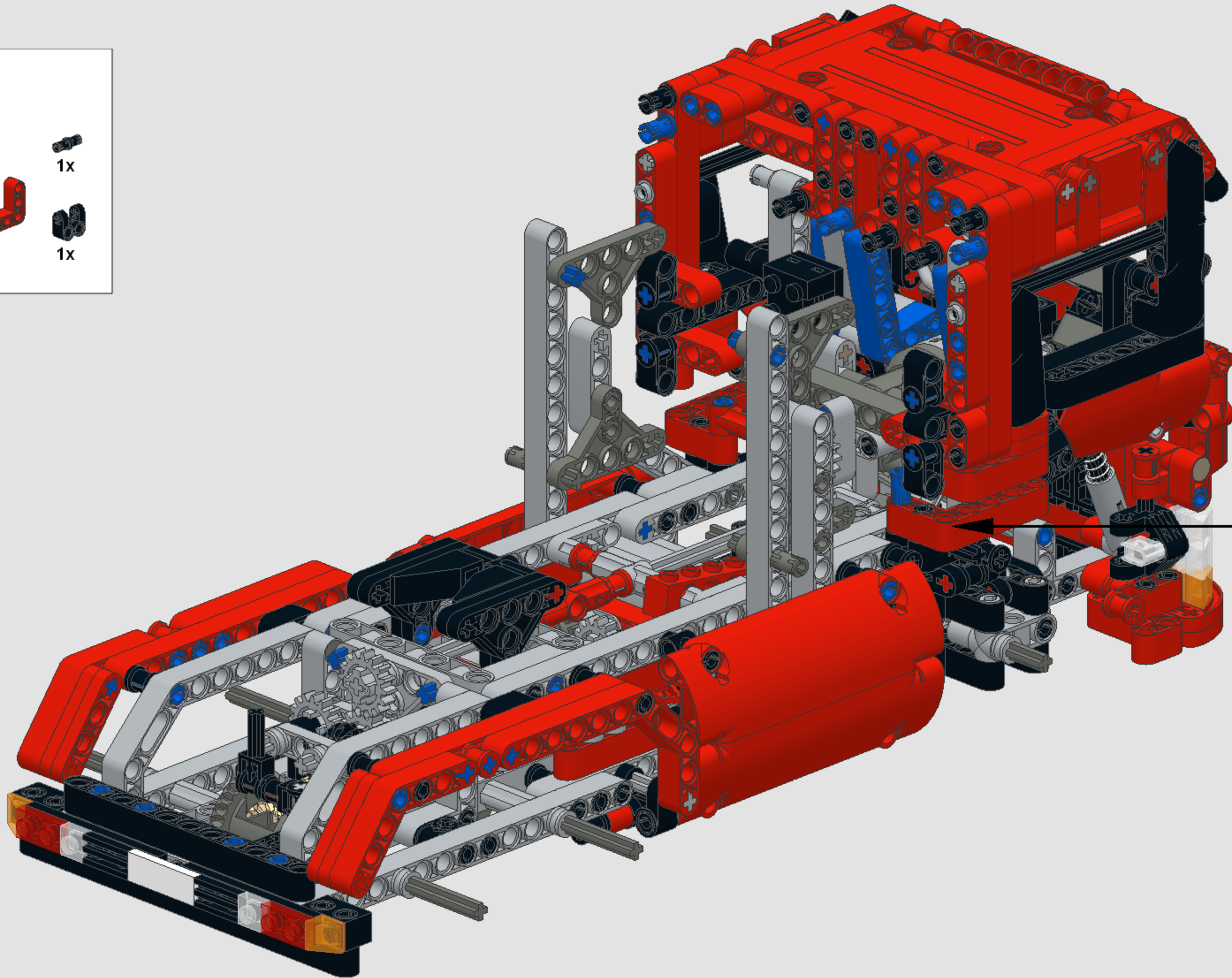
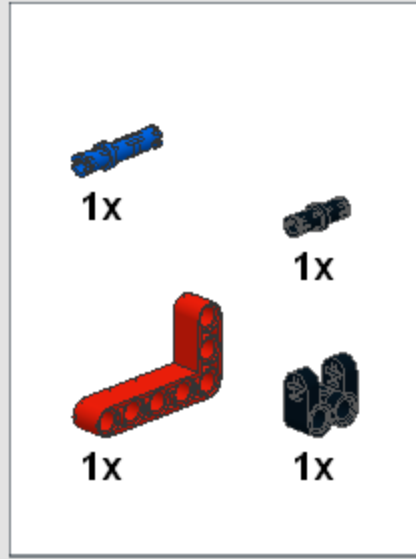
4

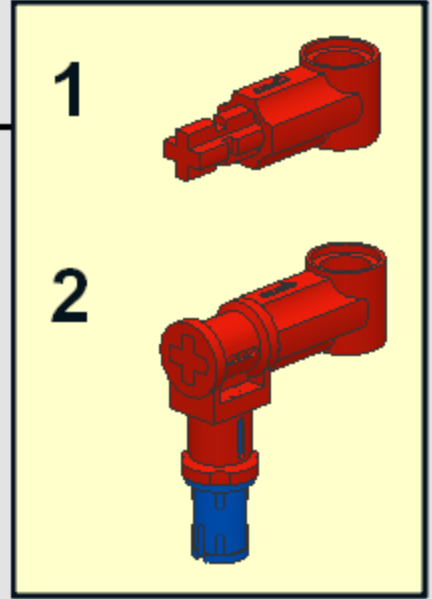
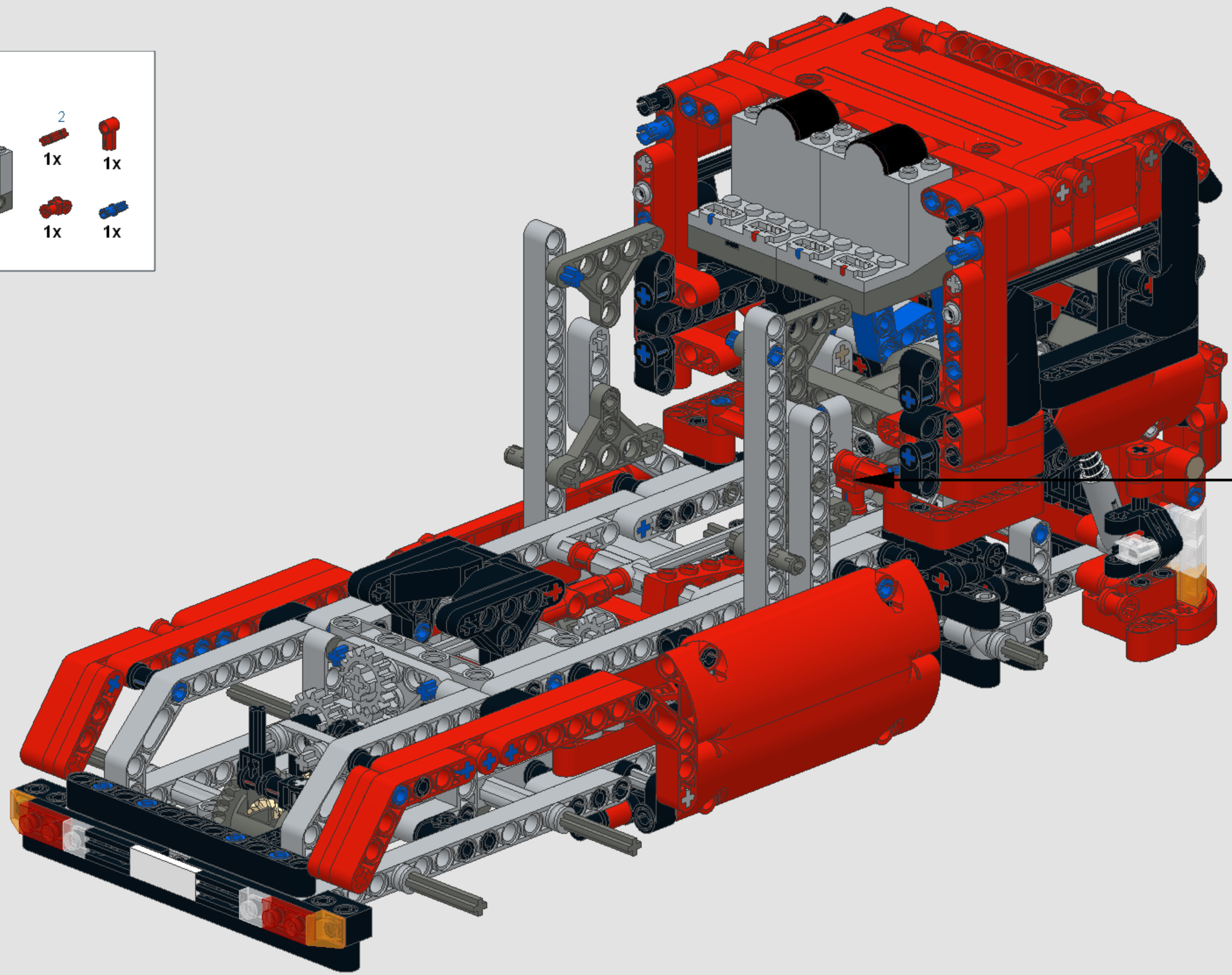
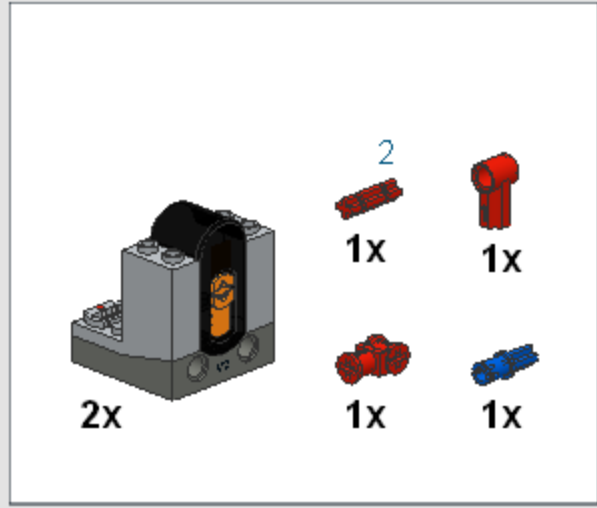














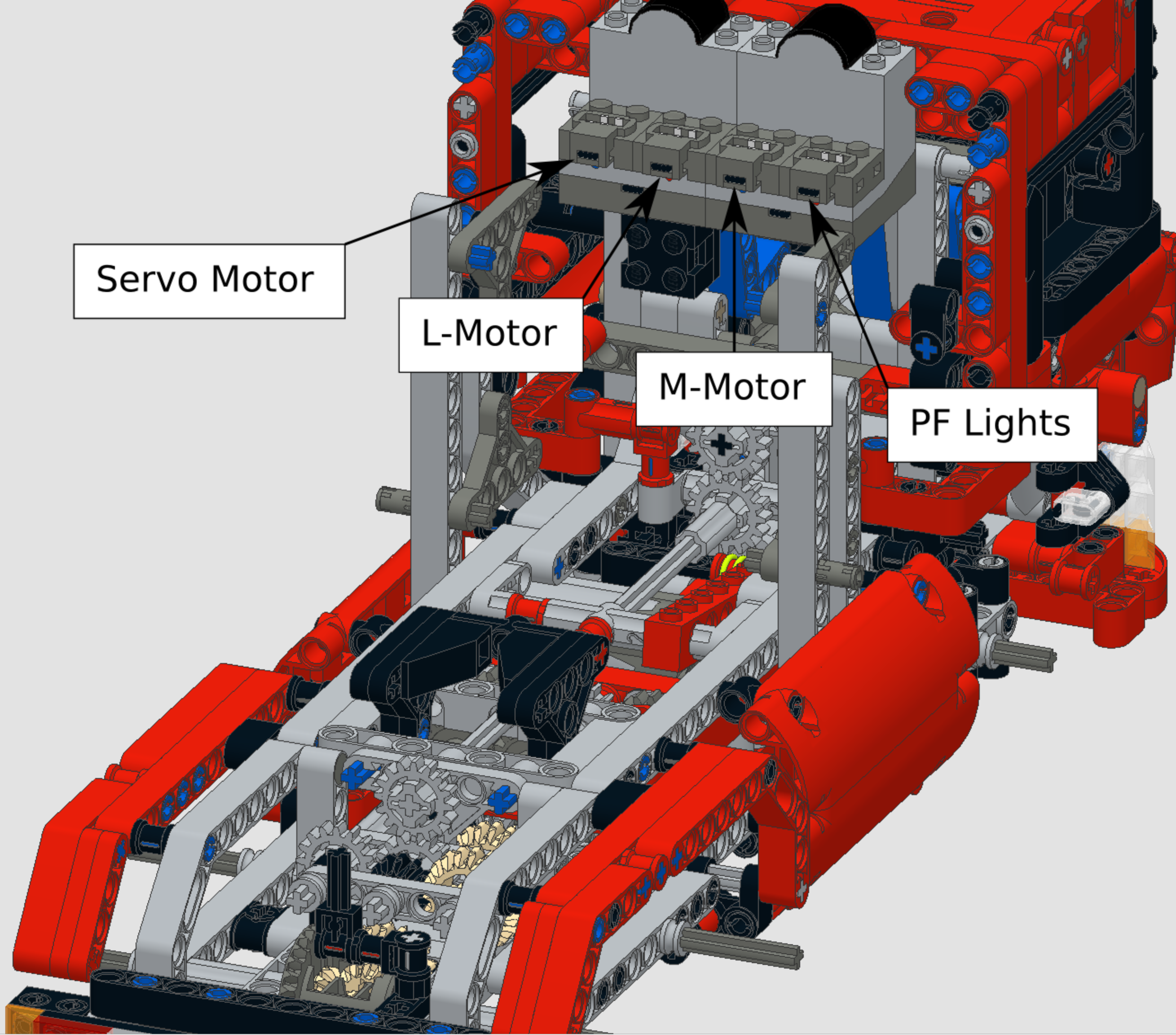
4x

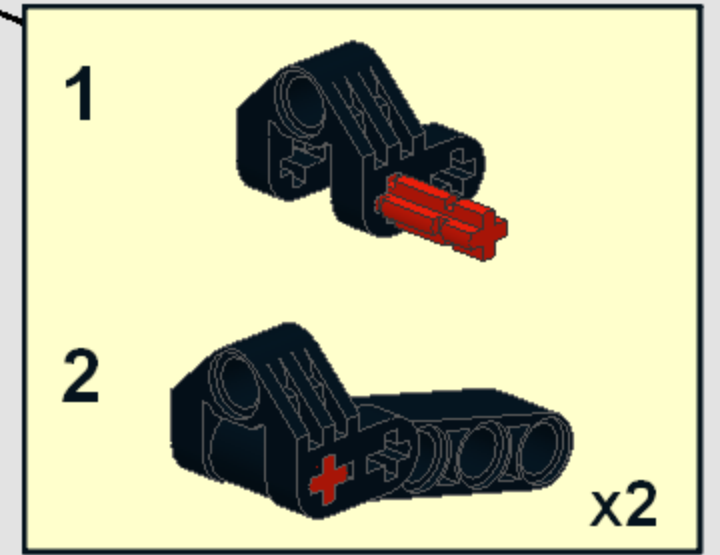
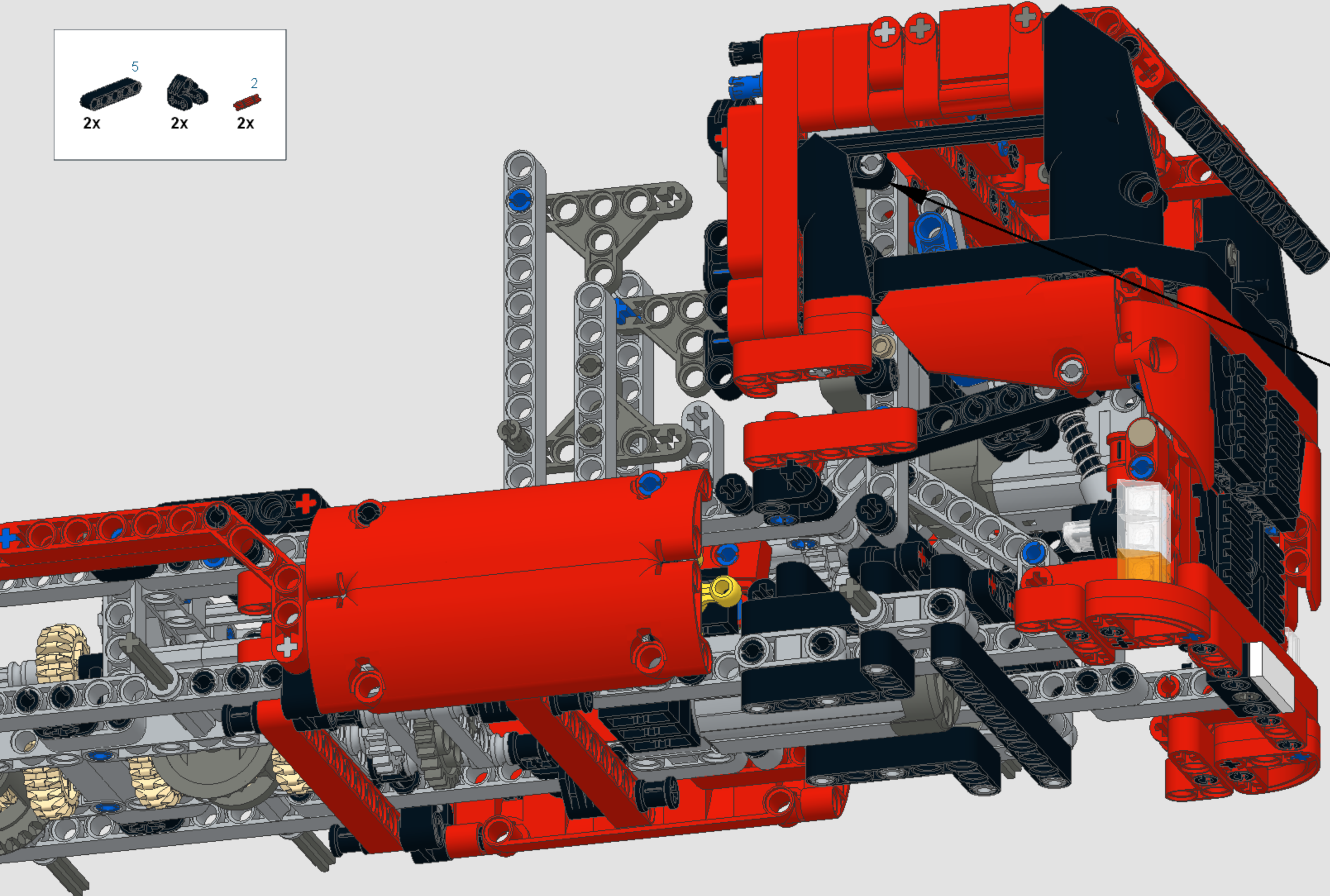
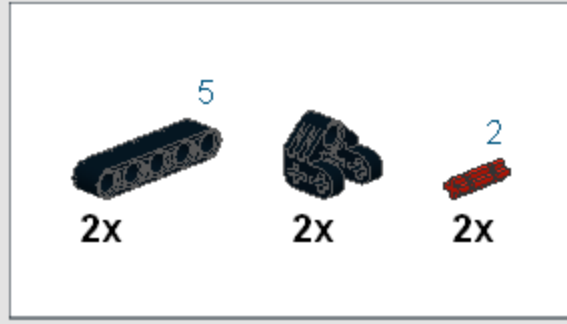
Servo Motor

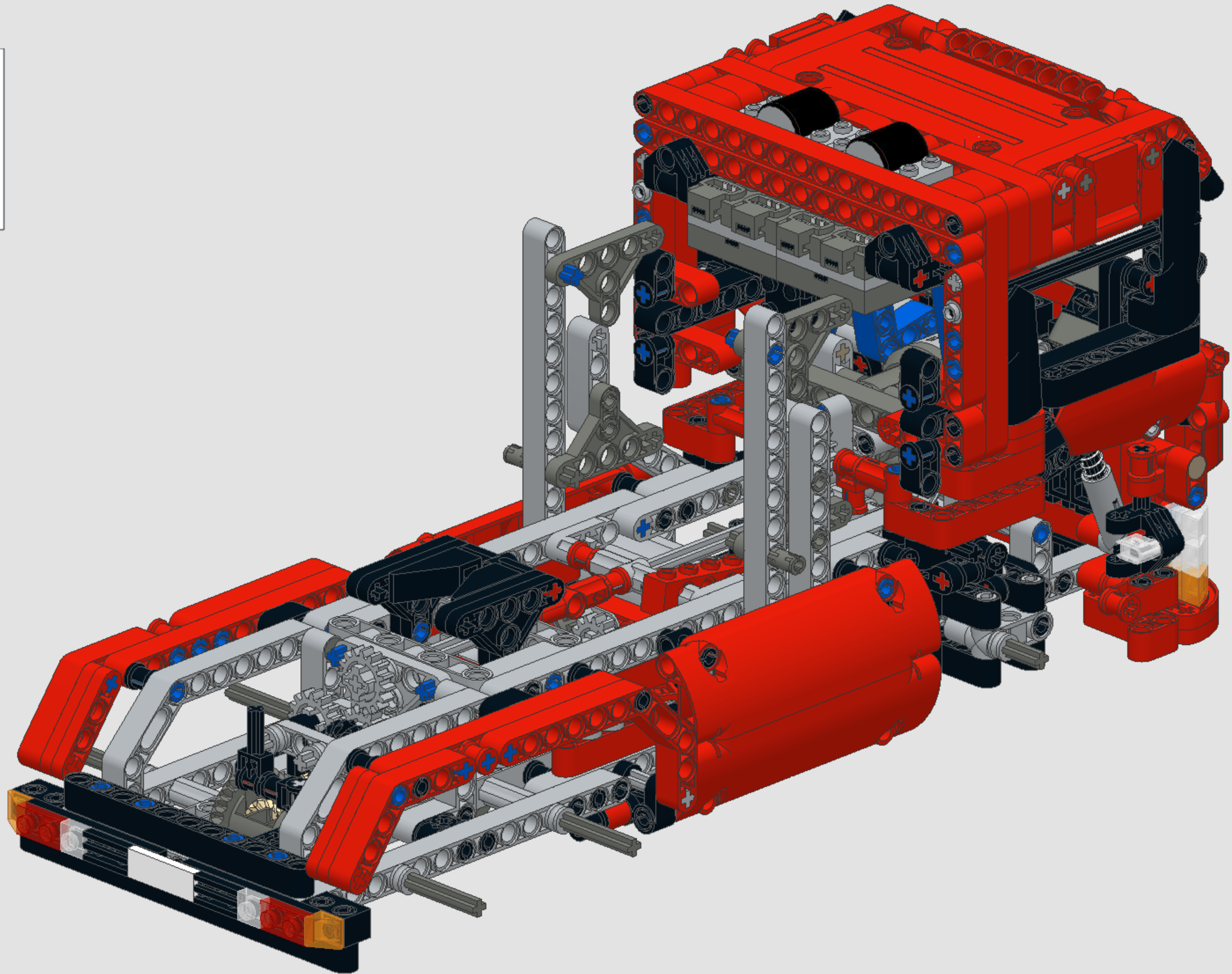
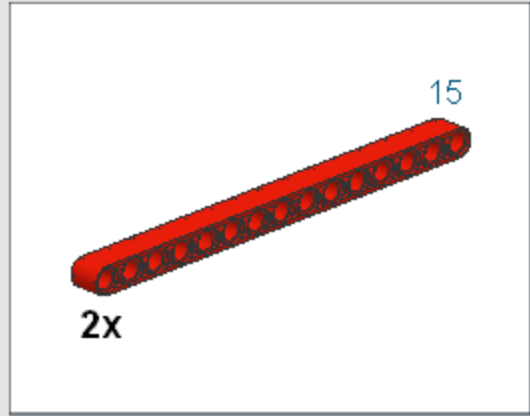
L-Motor

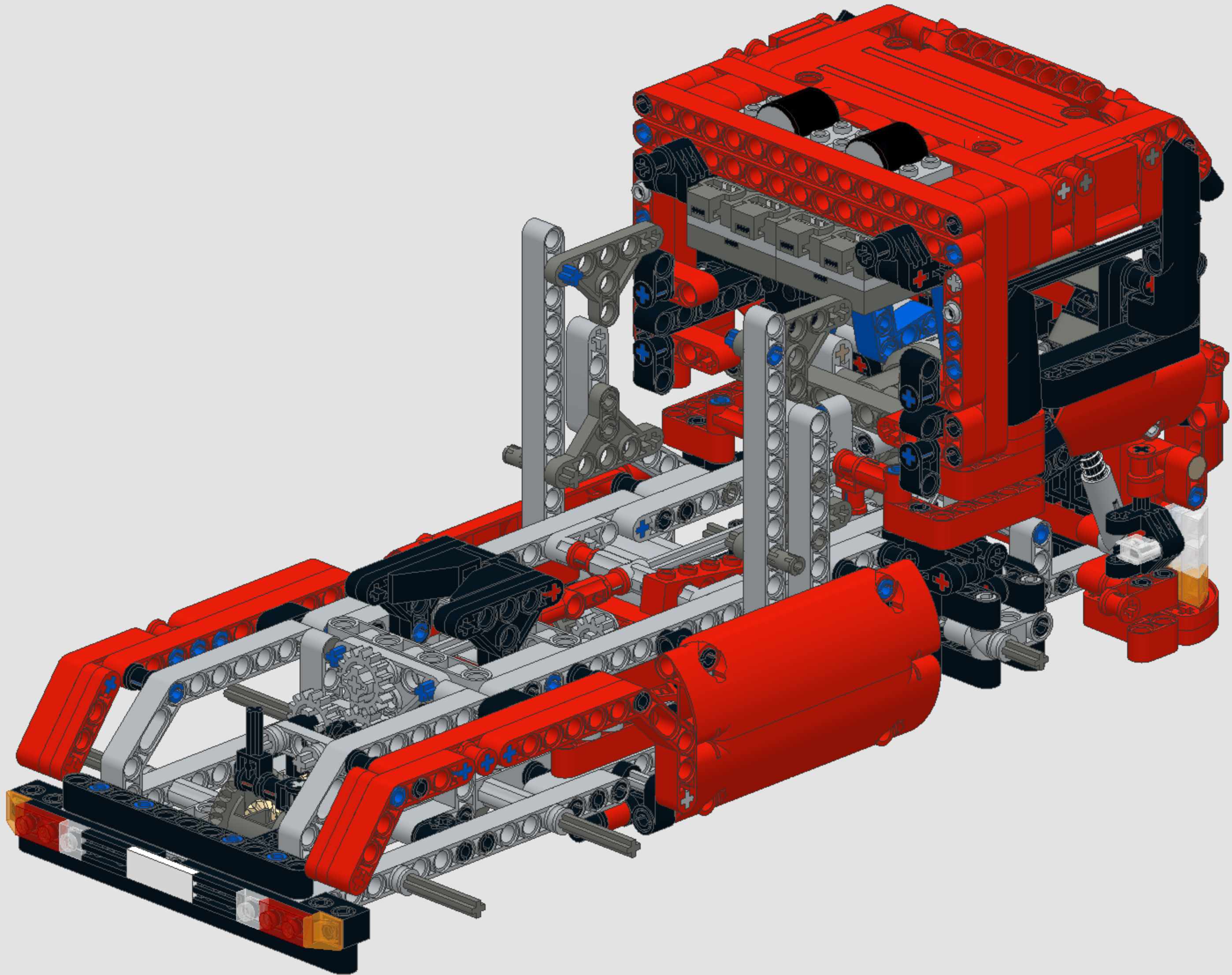
M-Motor

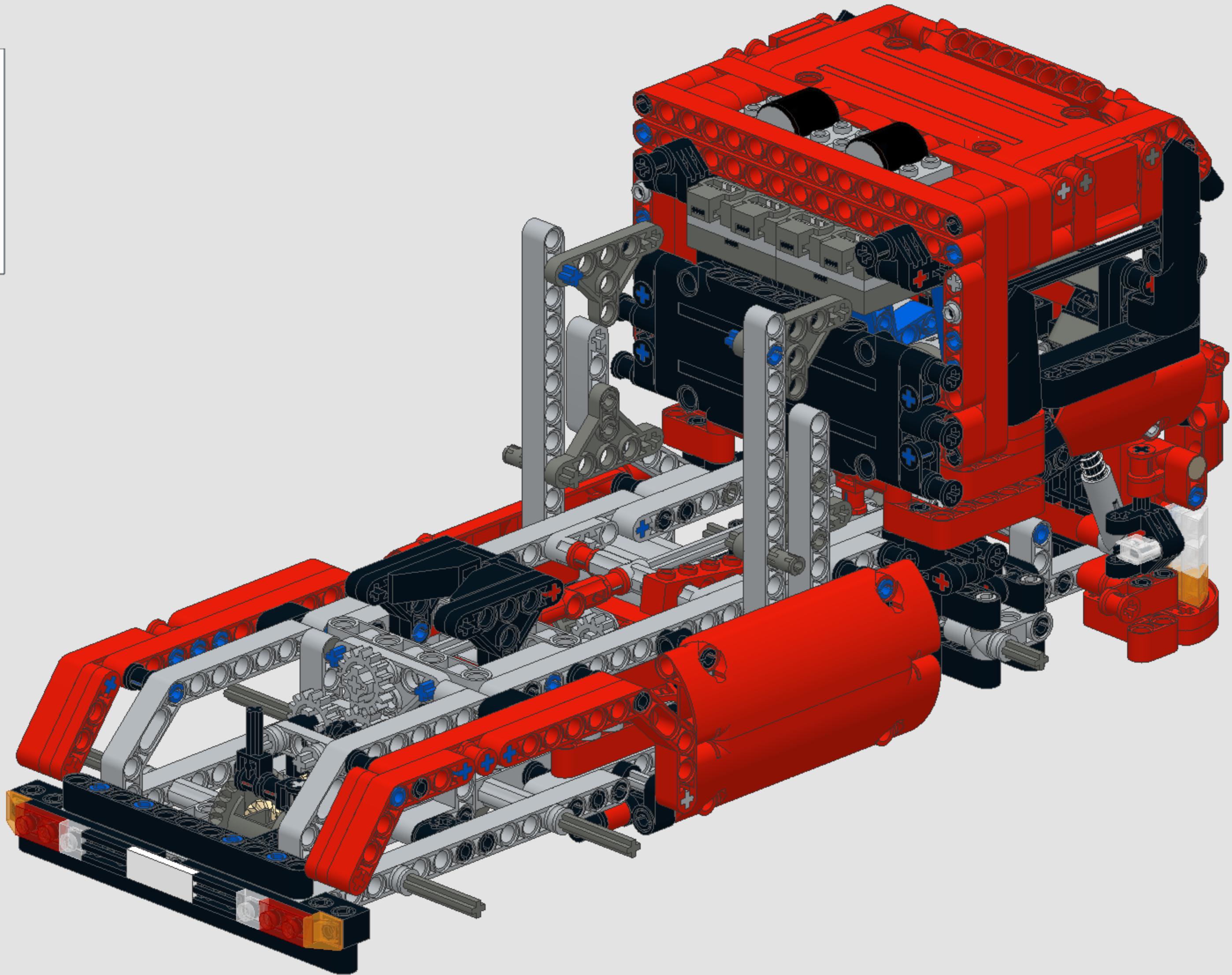
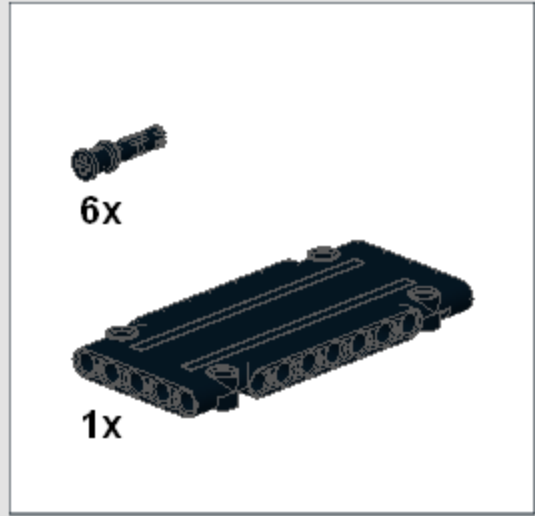
PF Lights

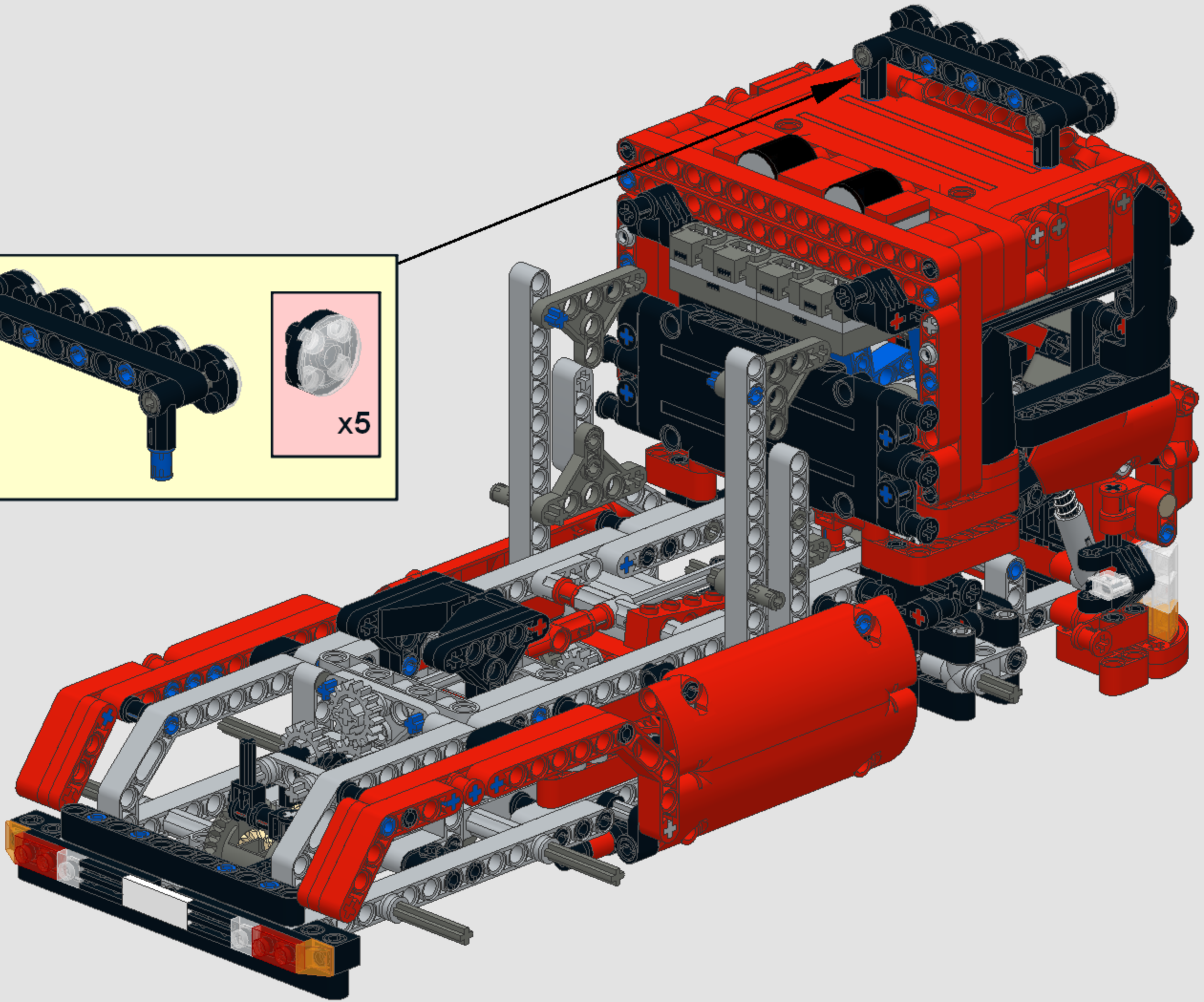
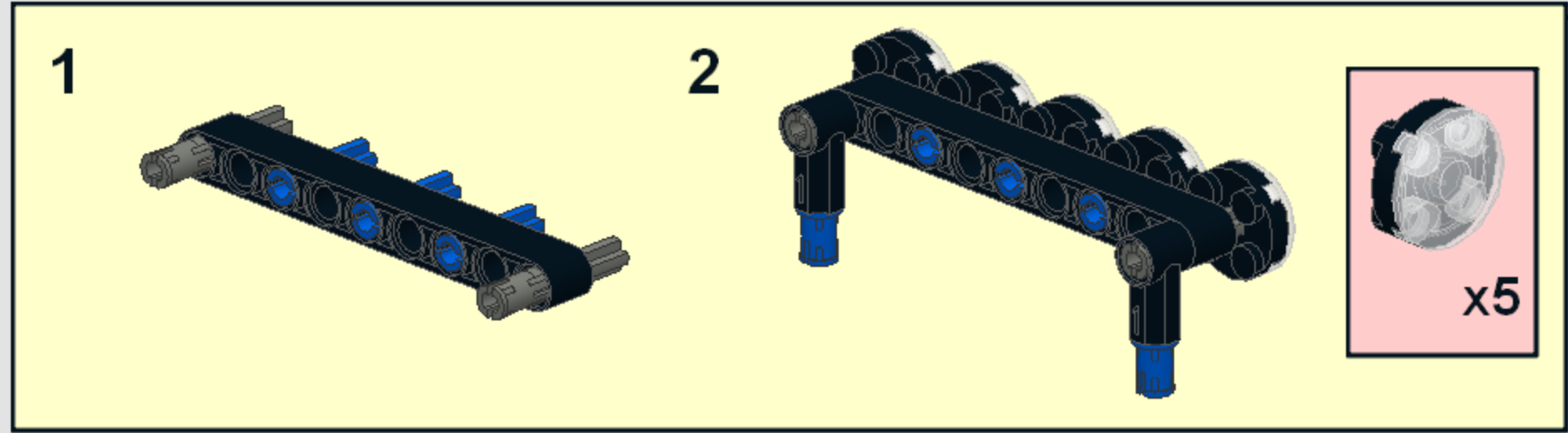
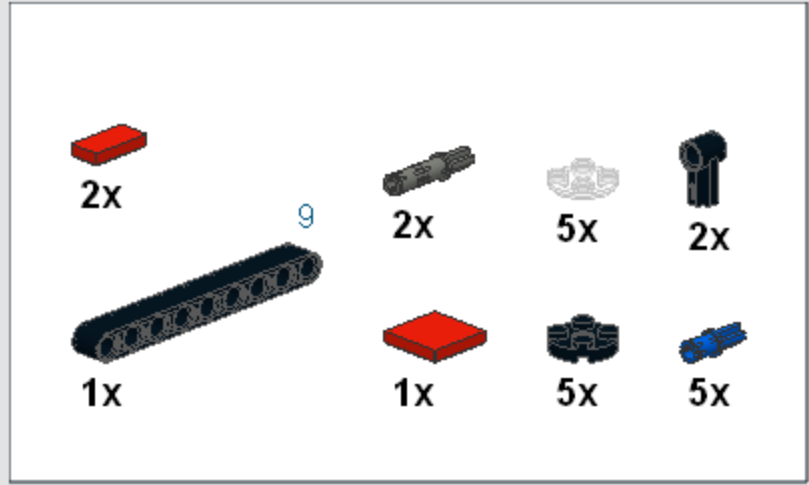


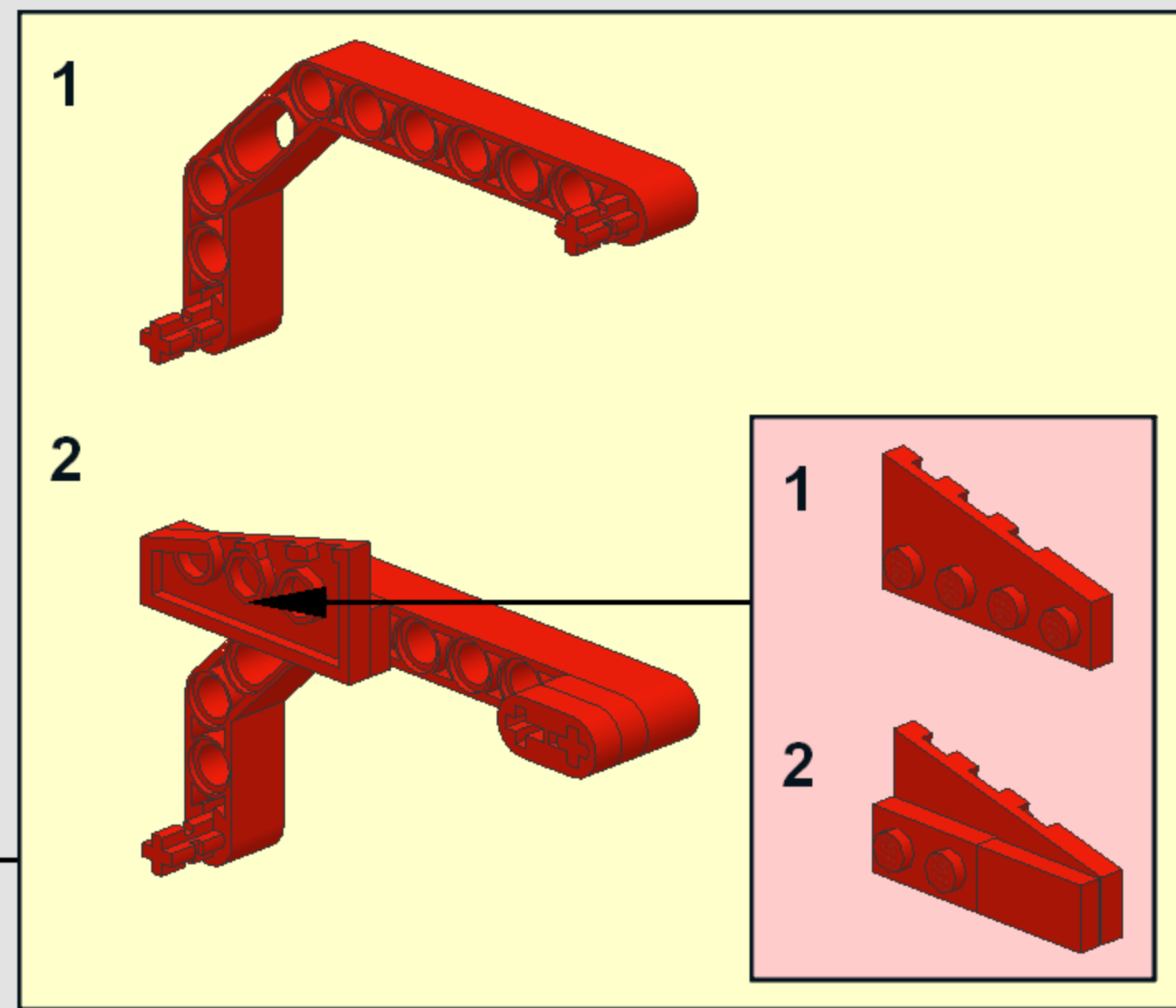
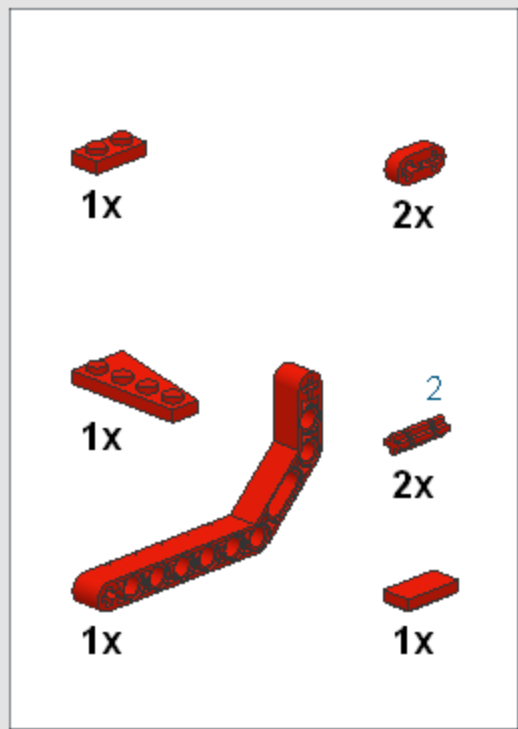
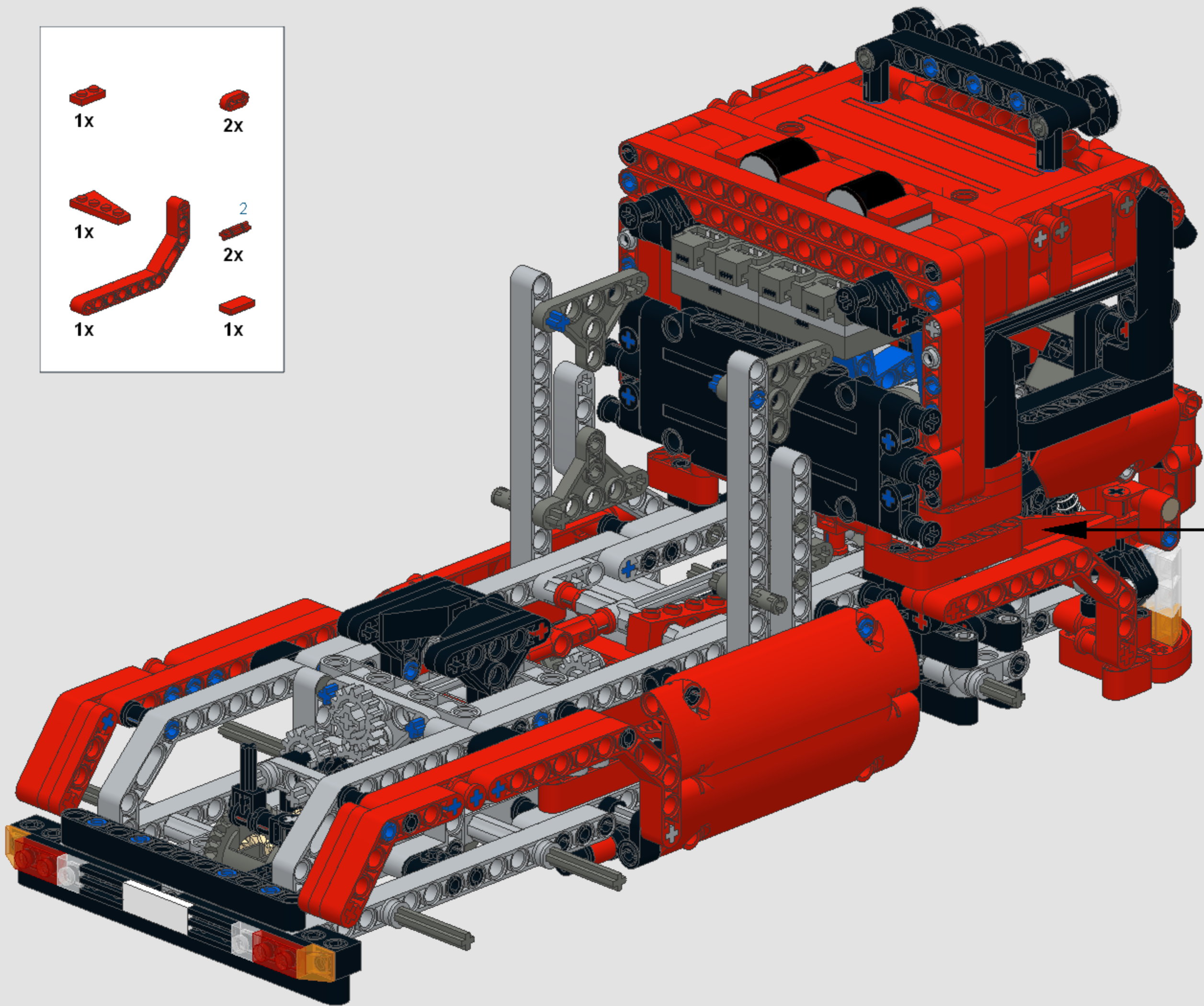


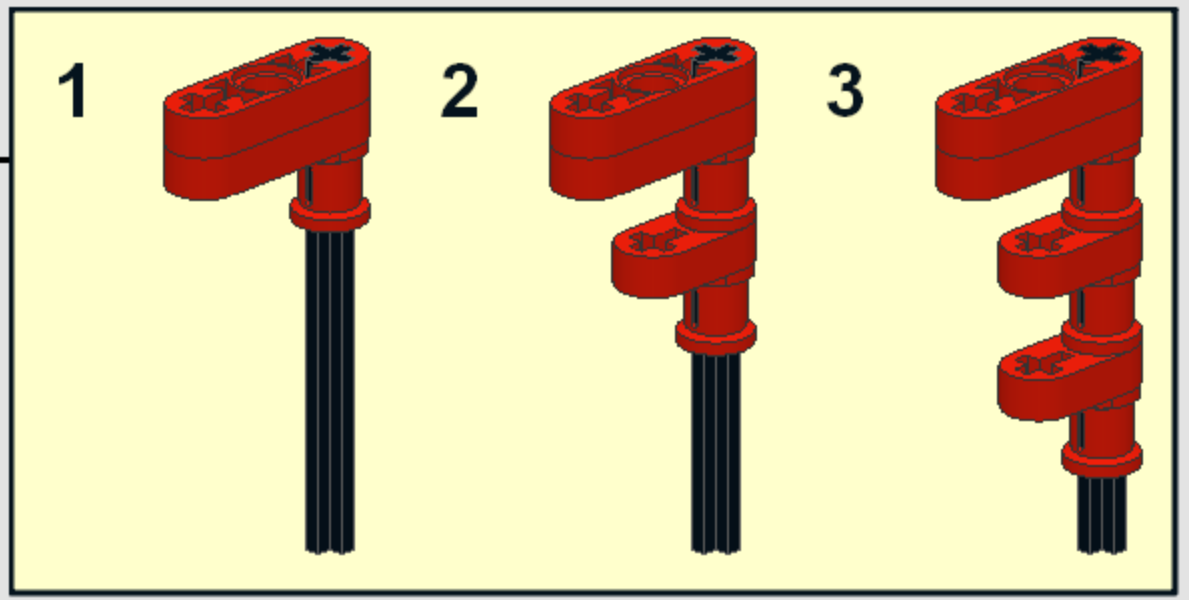
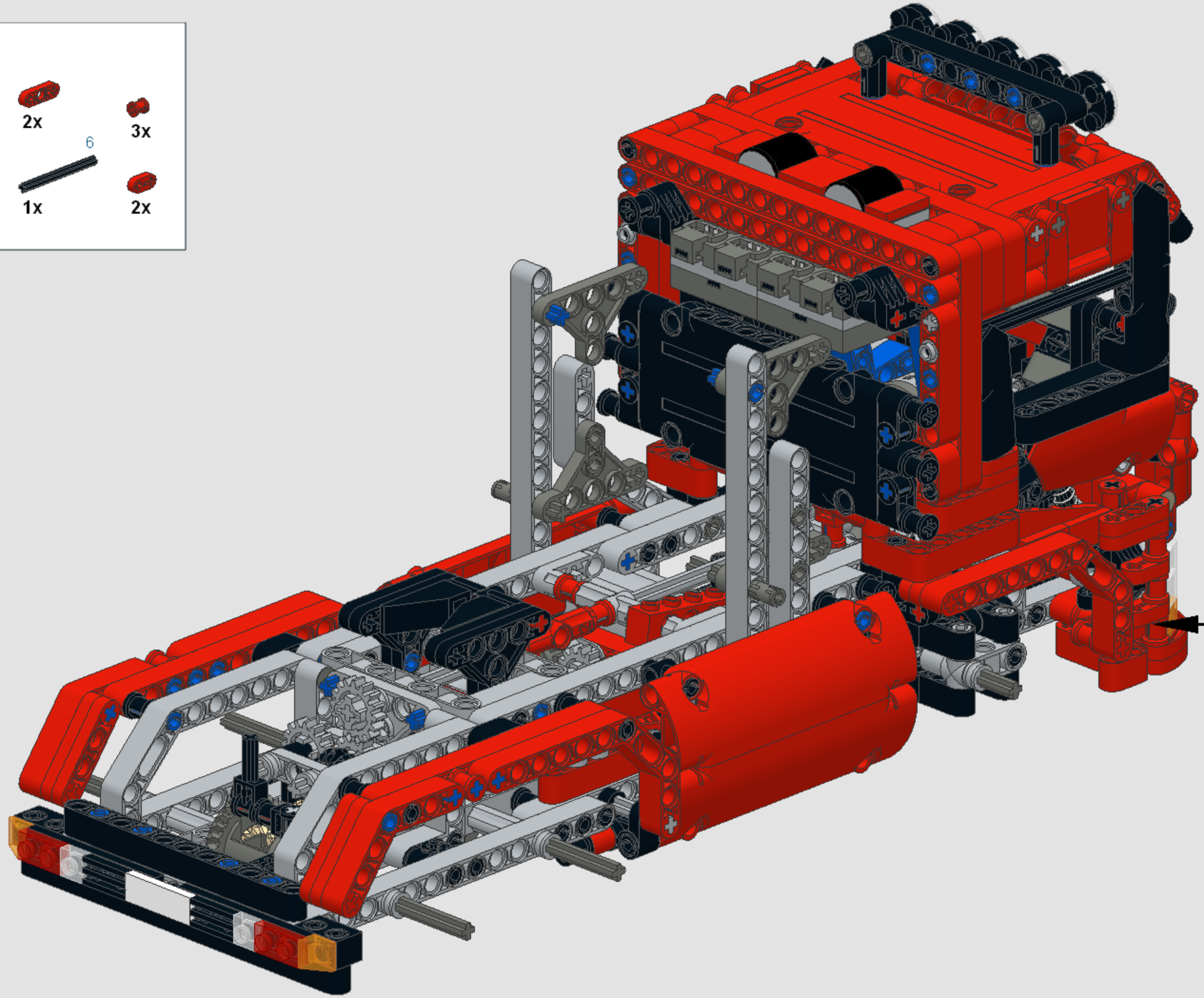
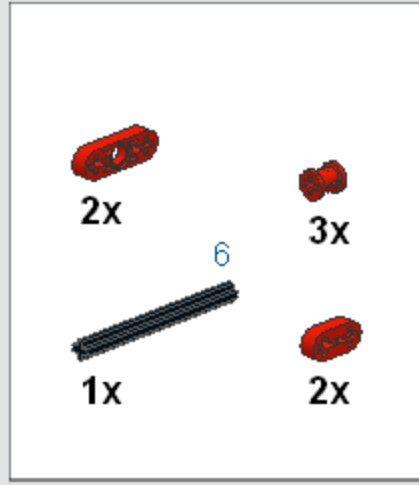


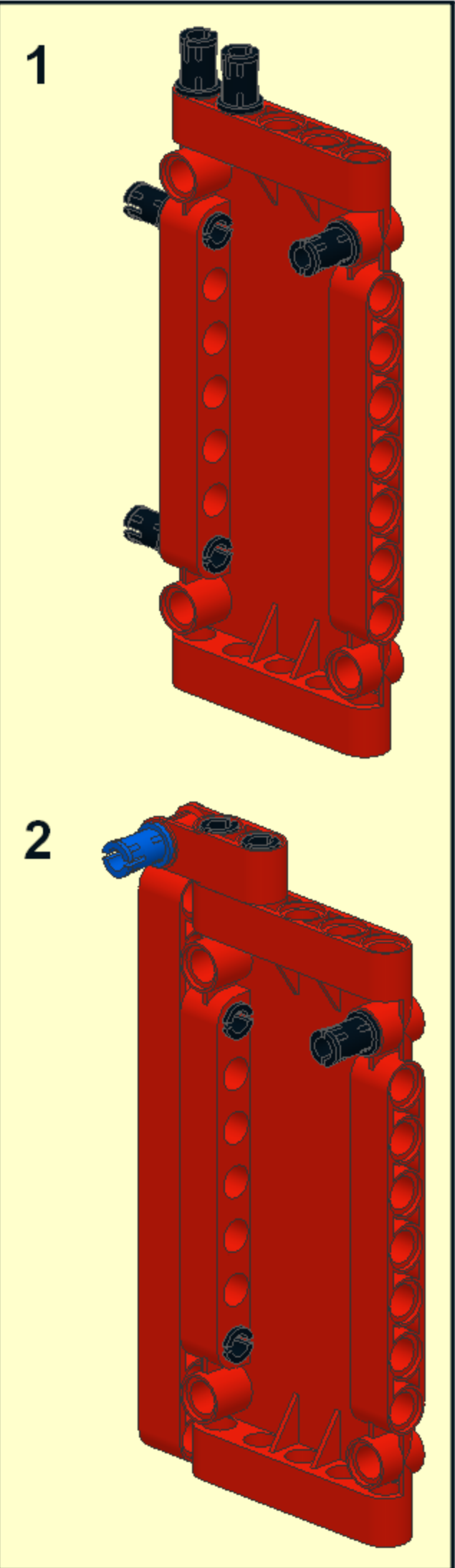
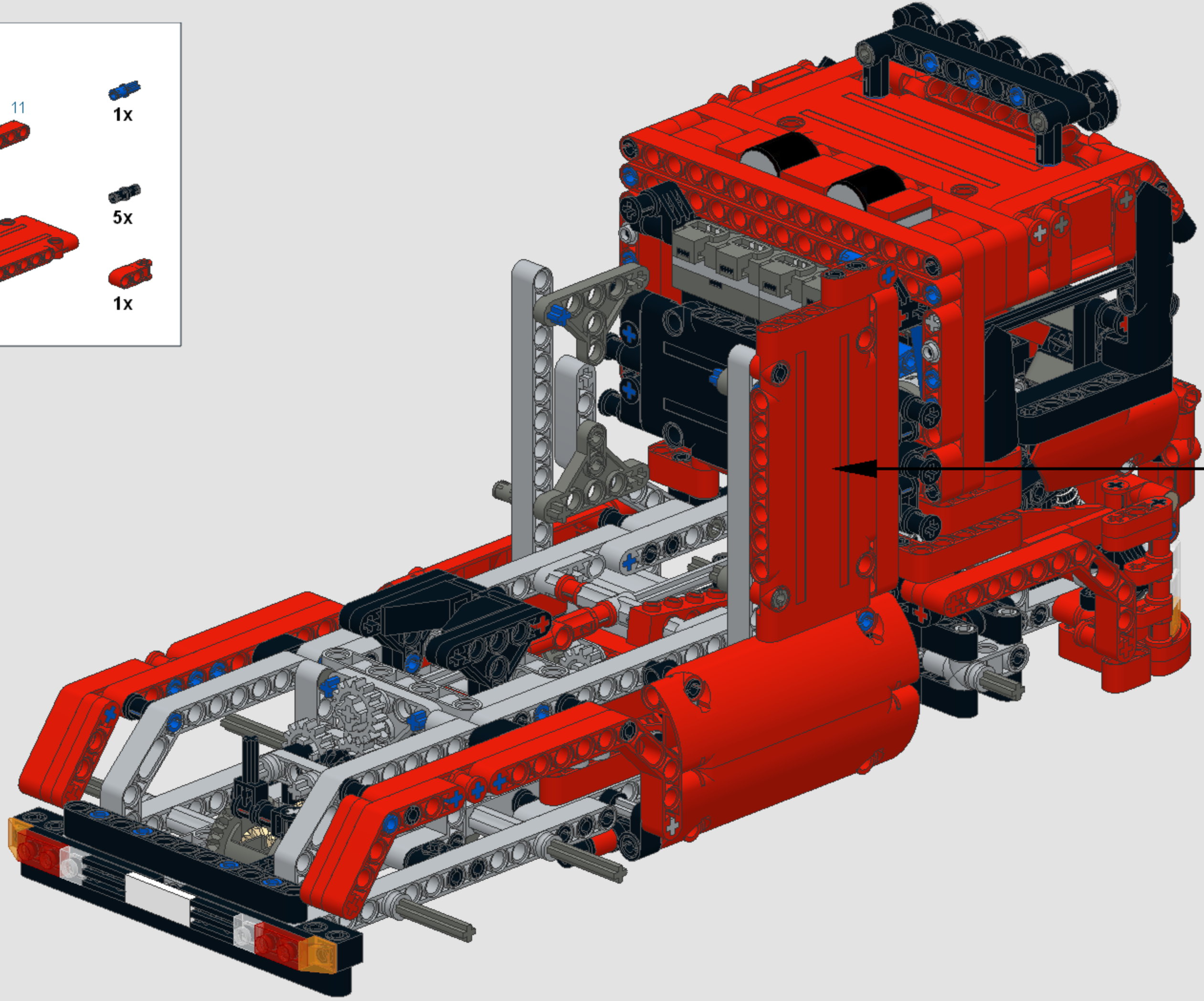
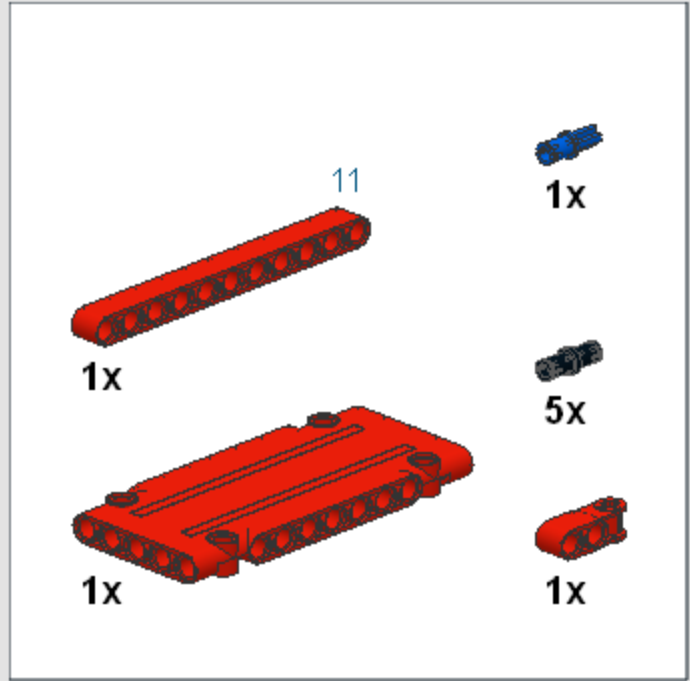


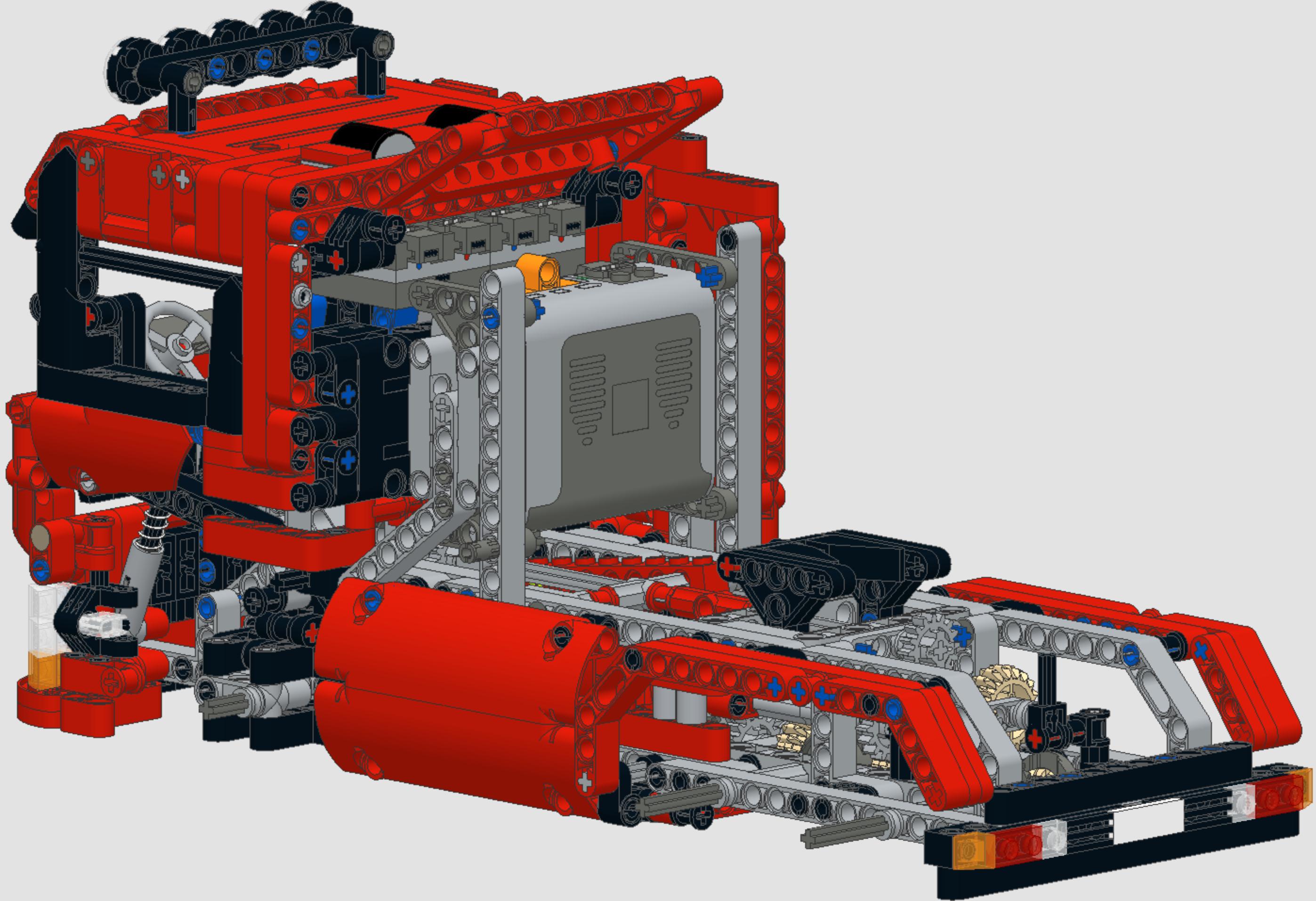
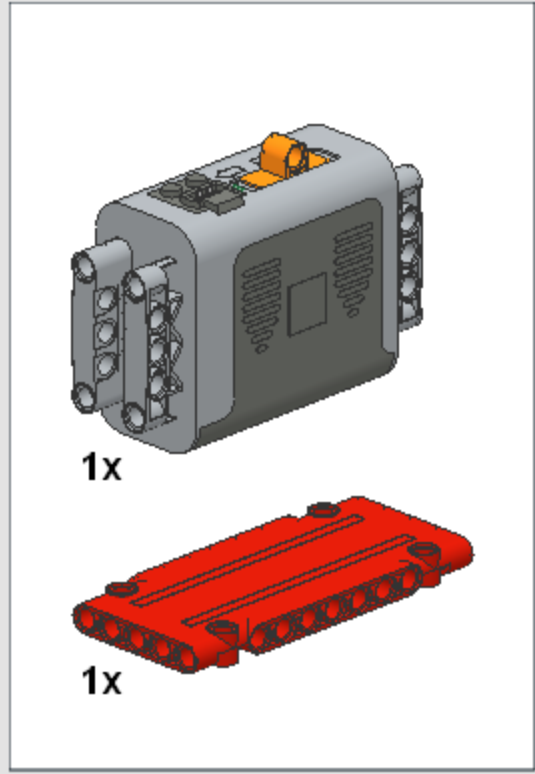


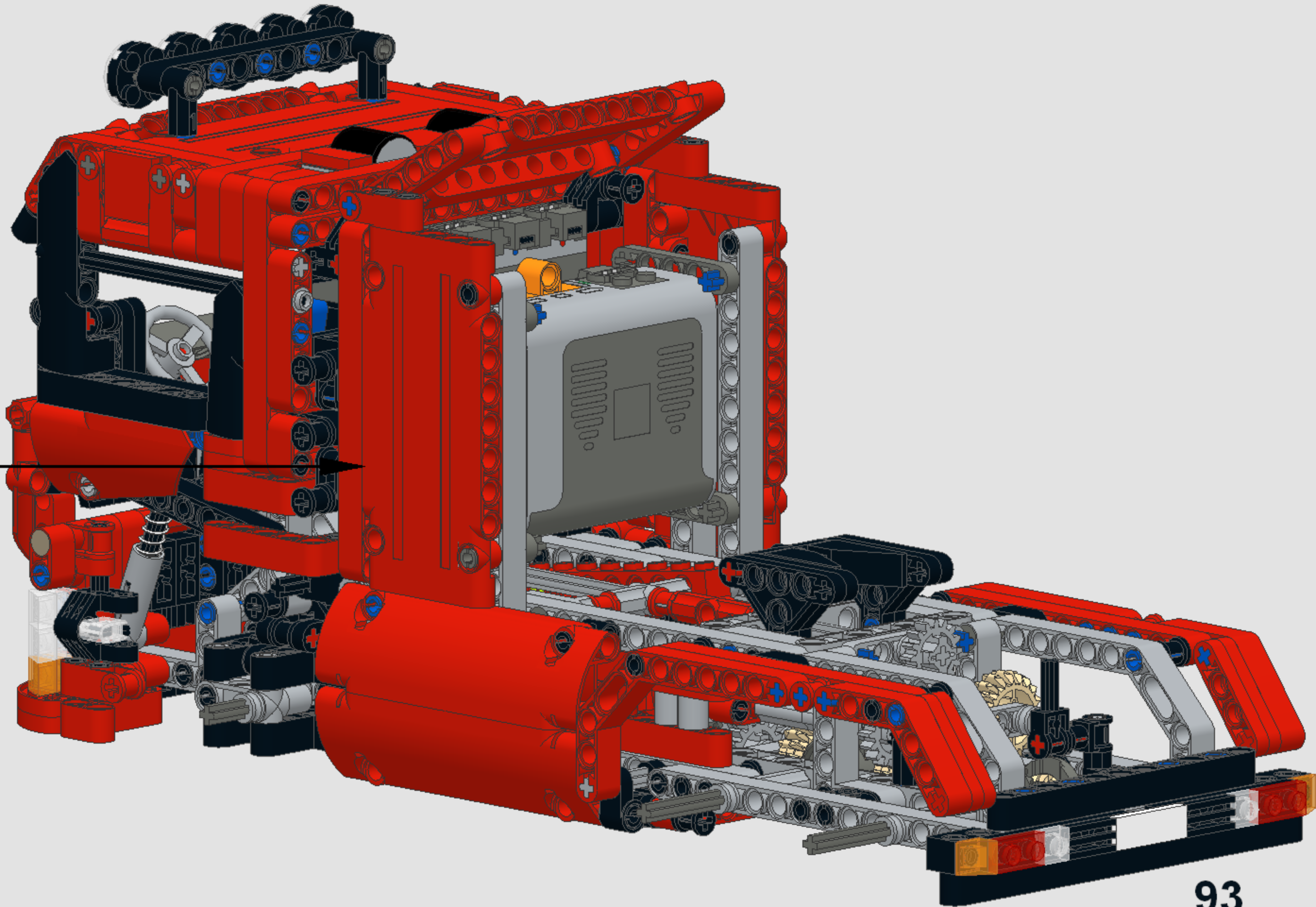
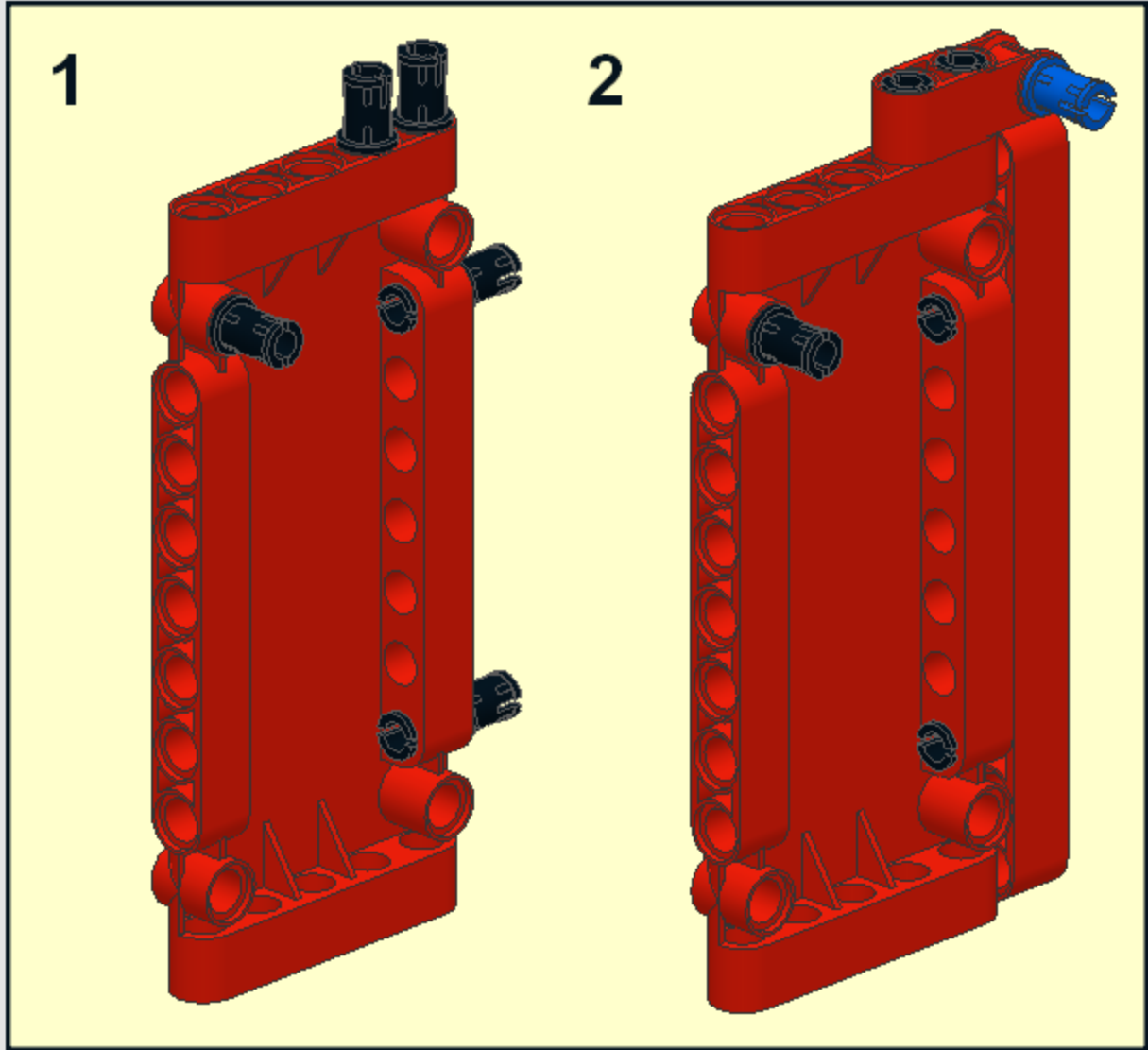
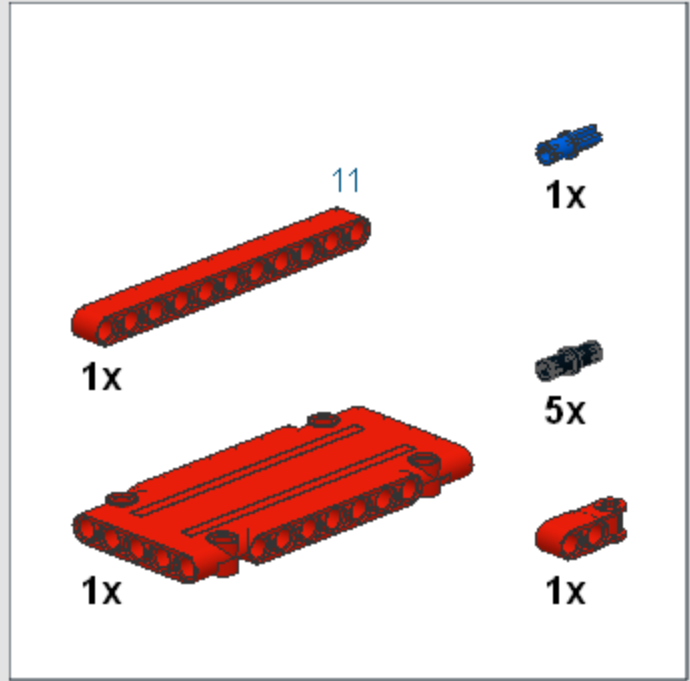










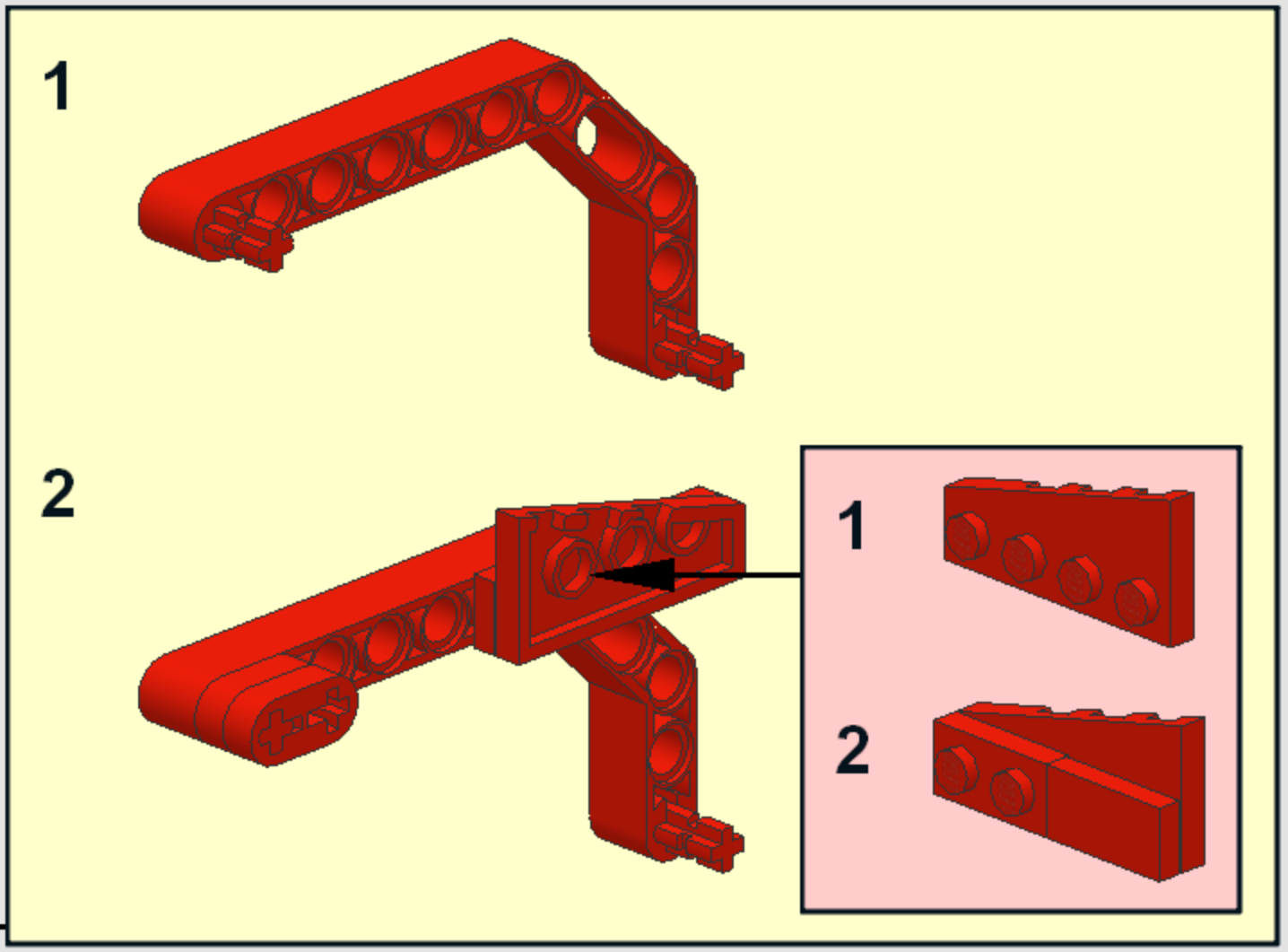
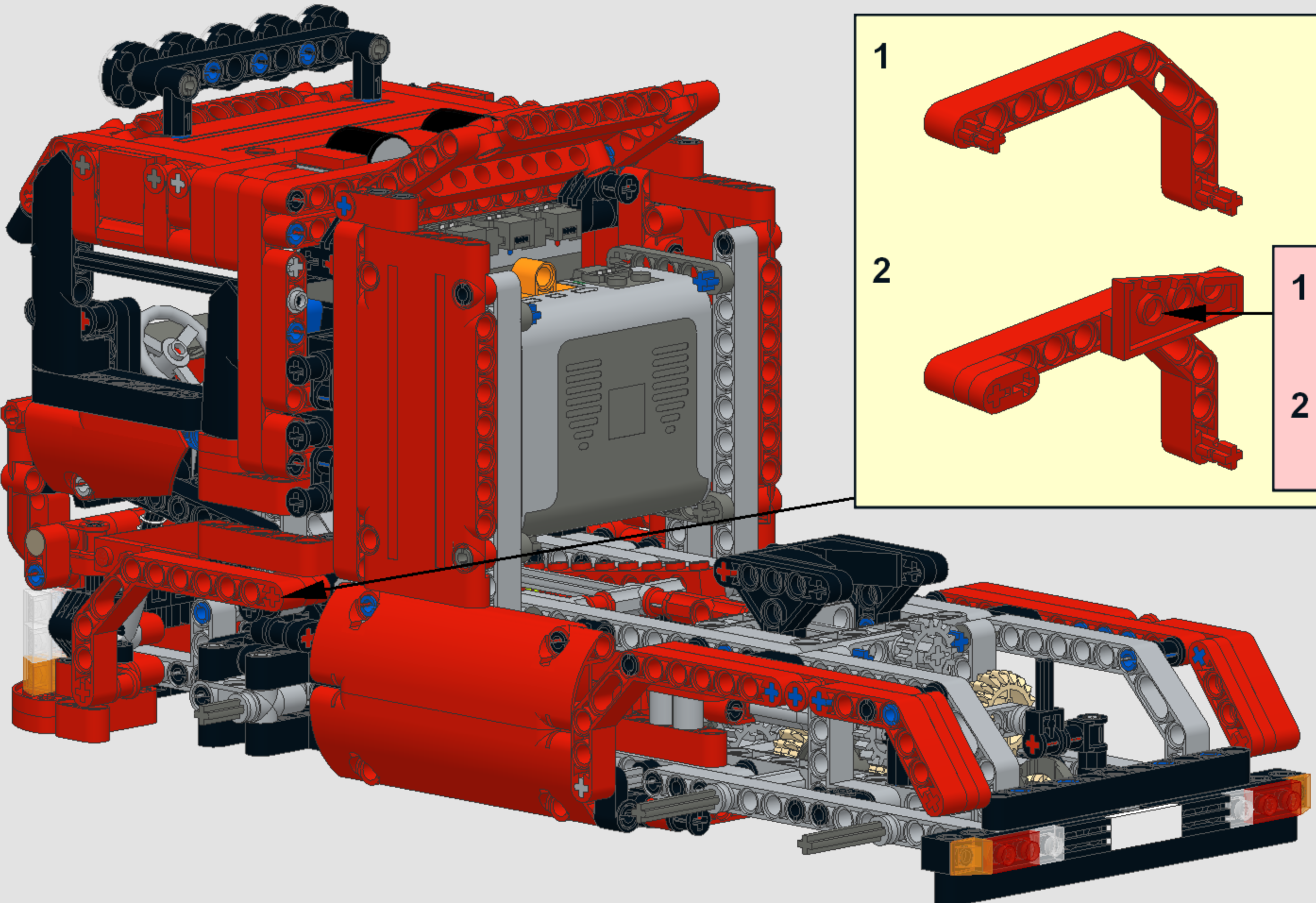


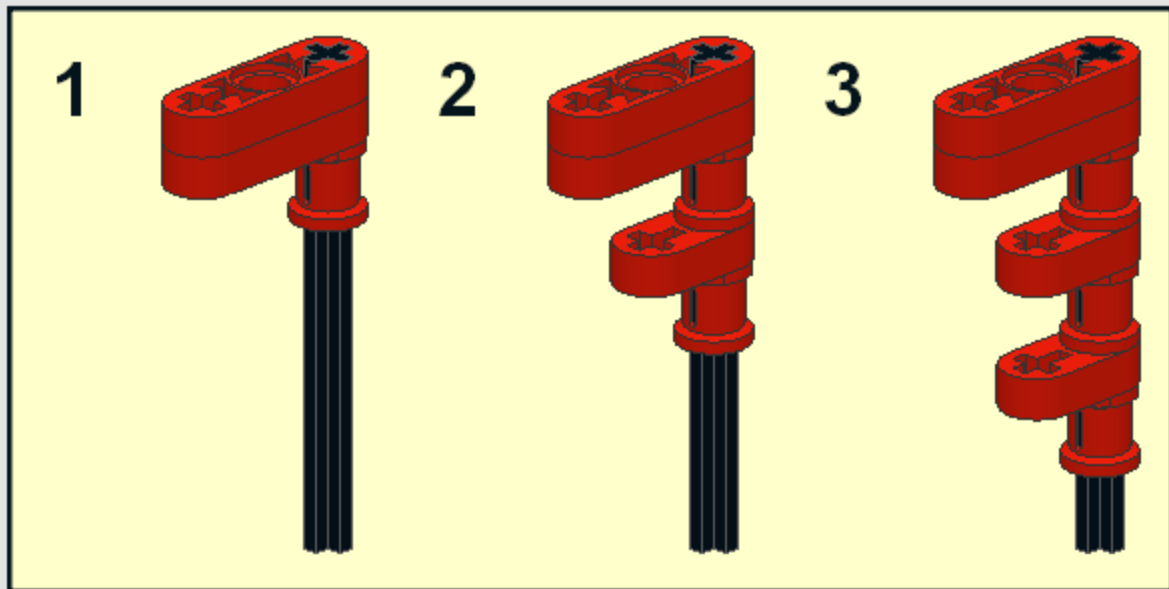
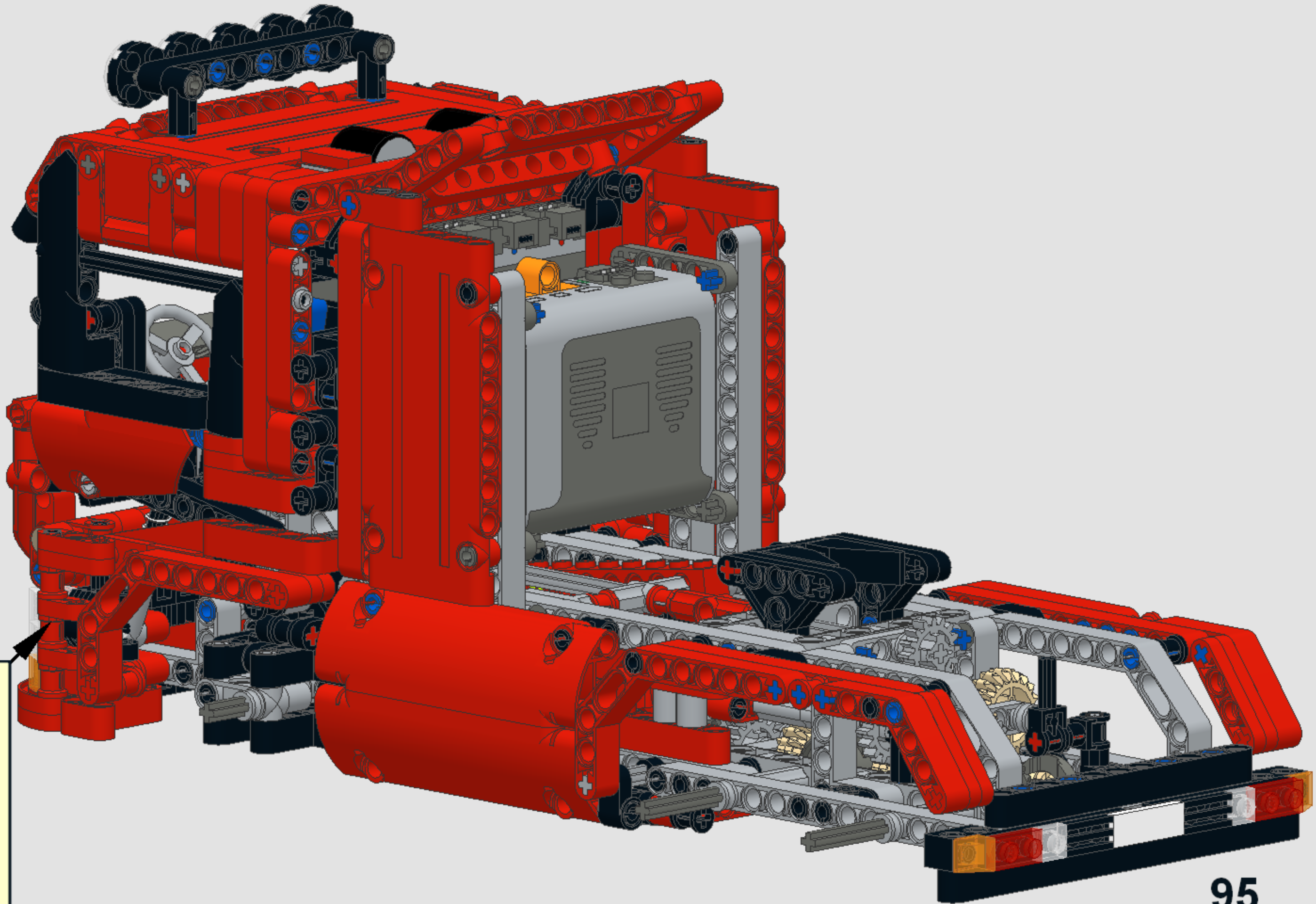
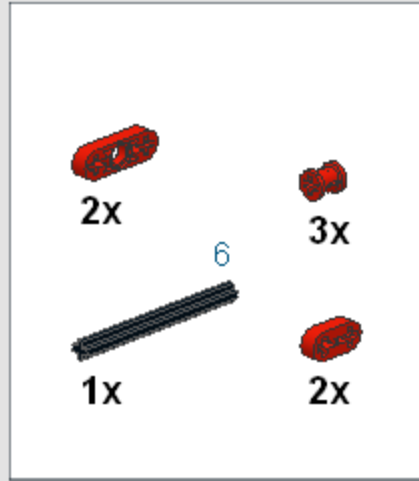


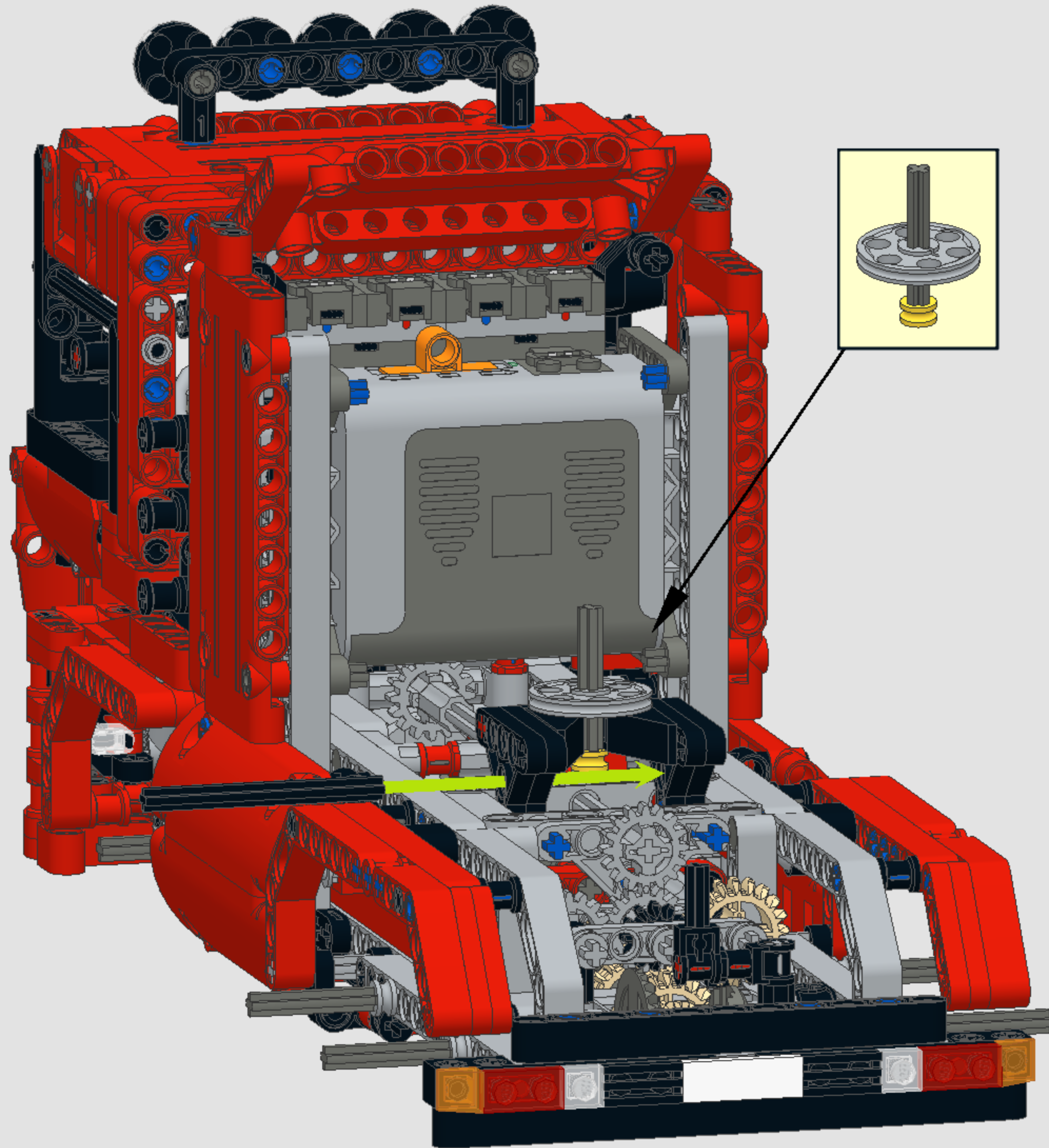
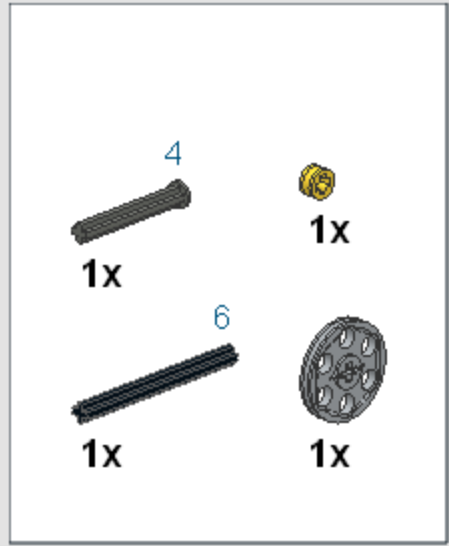




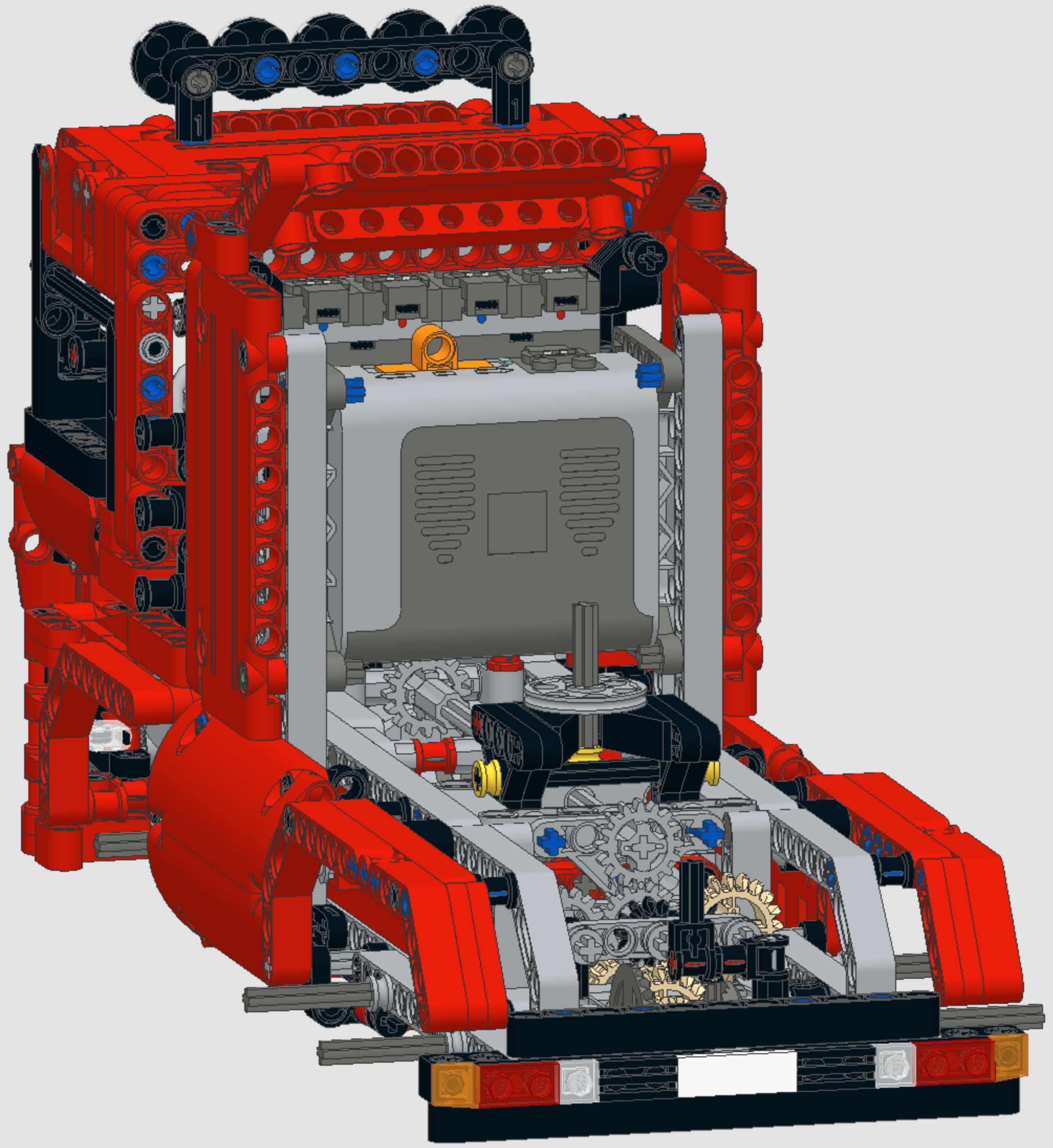
-  2x
-  2x
-  1x
-  1x
-  1x
-  1x





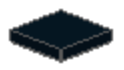











2x



- | | | | |
|---|---|---|---|
| 
1x | 
1x | 
2x | 
2x |
| 
2x | 
2x | 
1x | 
2x |
| | | | 
1x |

