

Title		
Size	Number	Revision
A4		
Date:	2015/9/9	Sheet of
File:	E:\work\A4988.SchDoc	Drawn By:

1

2

3

4

A

A

B

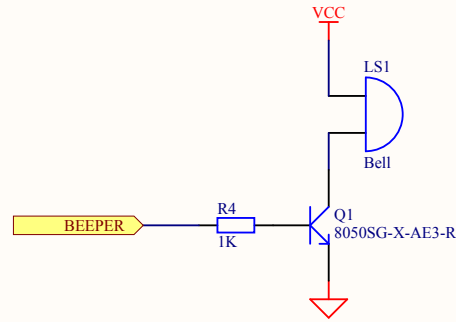
B

C

C

D

D



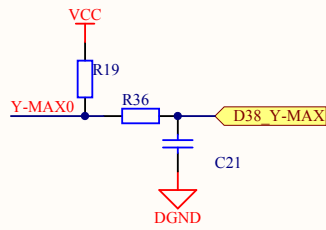
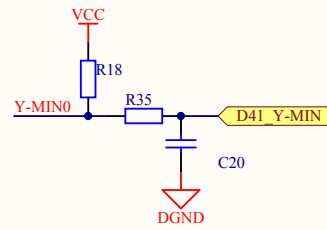
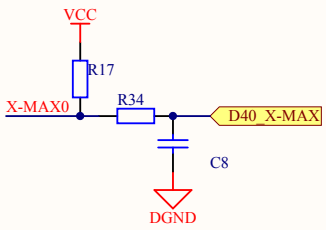
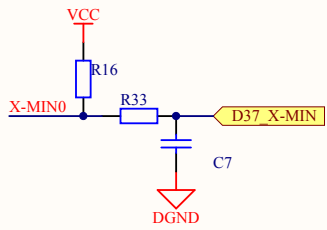
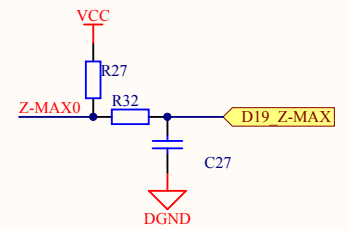
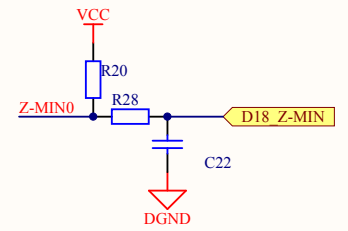
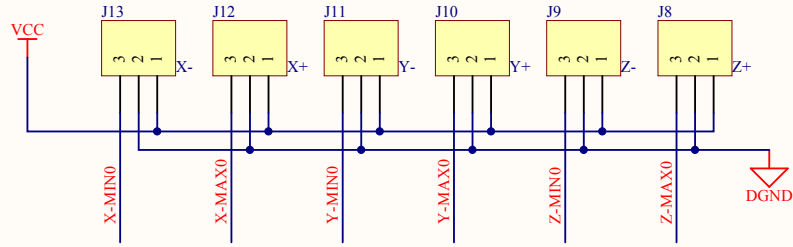
Title		
Size	Number	Revision
A4		
Date:	2015/9/9	Sheet of
File:	E:\work\Beeper.SchDoc	Drawn By:

1

2

3

4



Title		
Size A4	Number	Revision
Date:	2015/9/9	Sheet of
File:	E:\work\...\ENDstops.SchDoc	Drawn By:

1

2

3

4

A

A

B

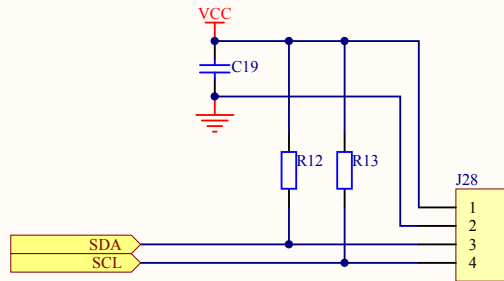
B

C

C

D

D



Title		
Size	Number	Revision
A4		
Date:	2015/9/9	Sheet of
File:	E:\work\12C.SchDoc	Drawn By:

1

2

3

4

1

2

3

4

A

A

B

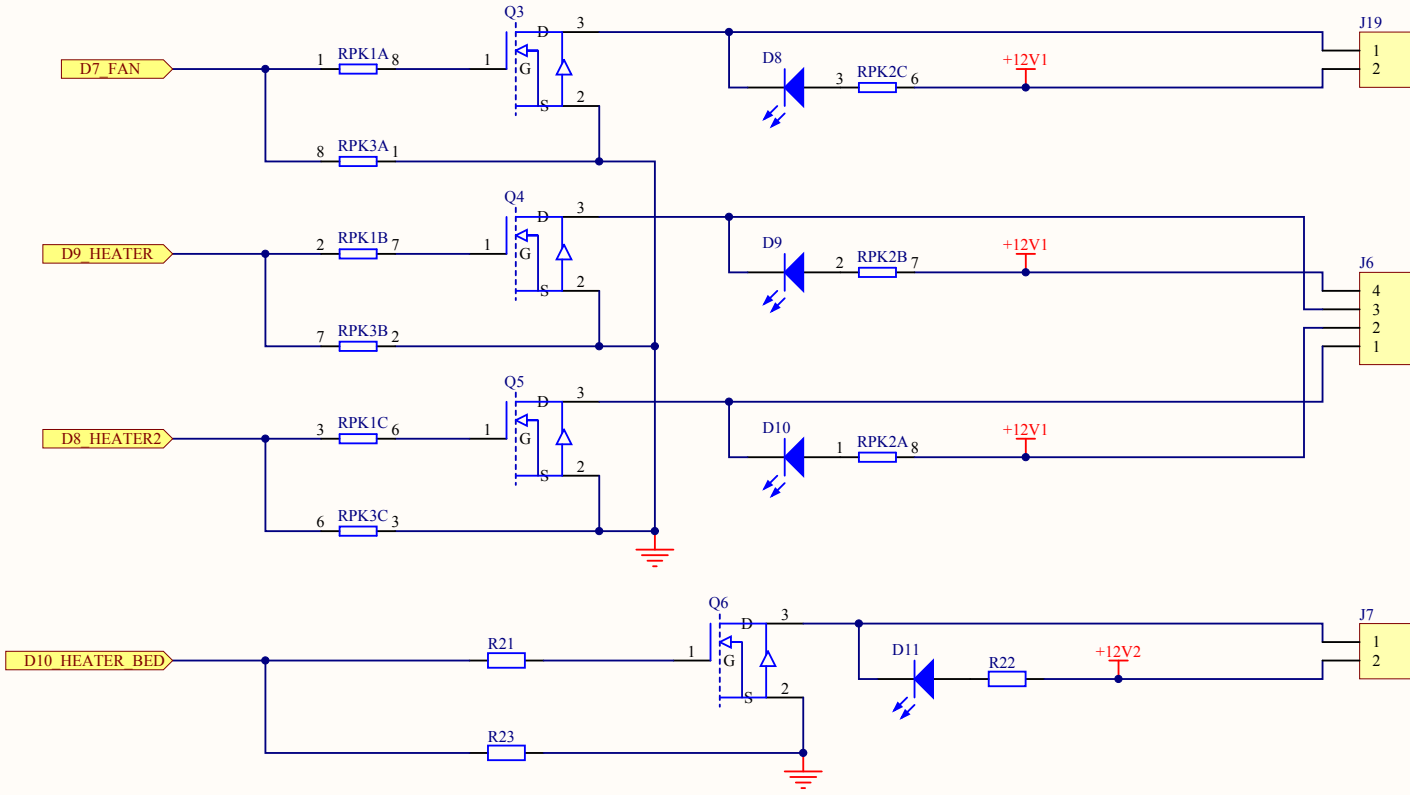
B

C

C

D

D



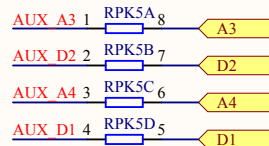
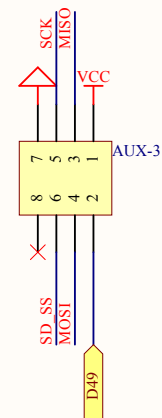
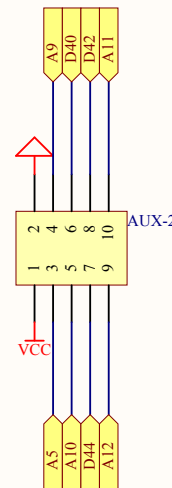
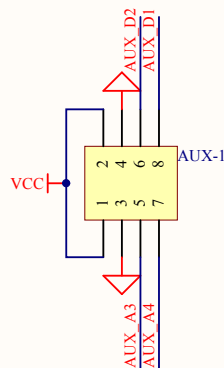
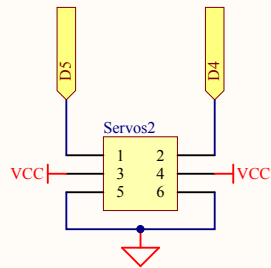
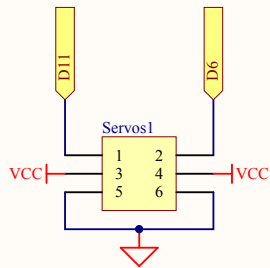
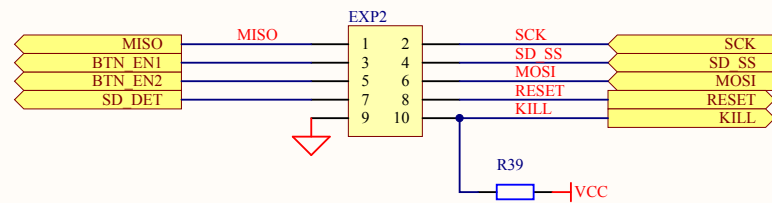
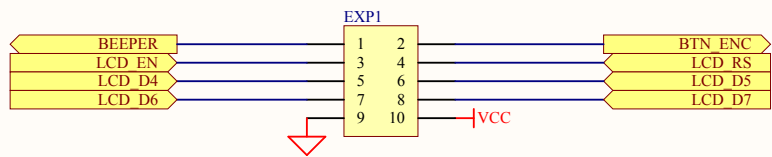
Title		
Size	Number	Revision
A4		
Date:	2015/9/9	Sheet of
File:	E:\work\...\MOSFET.SchDoc	Drawn By:

1

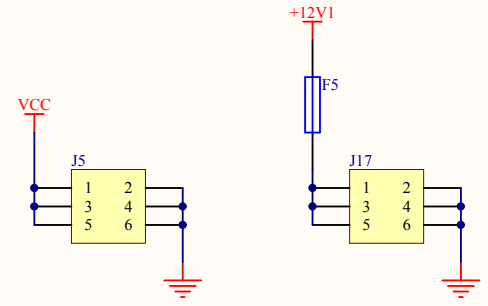
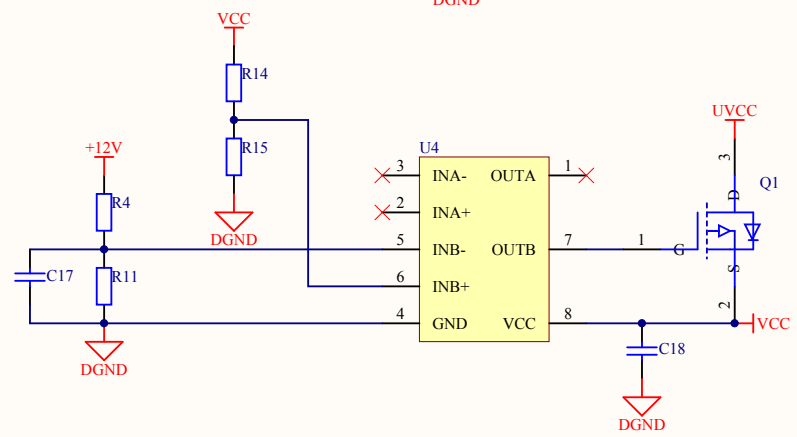
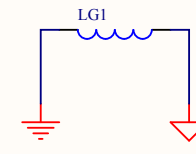
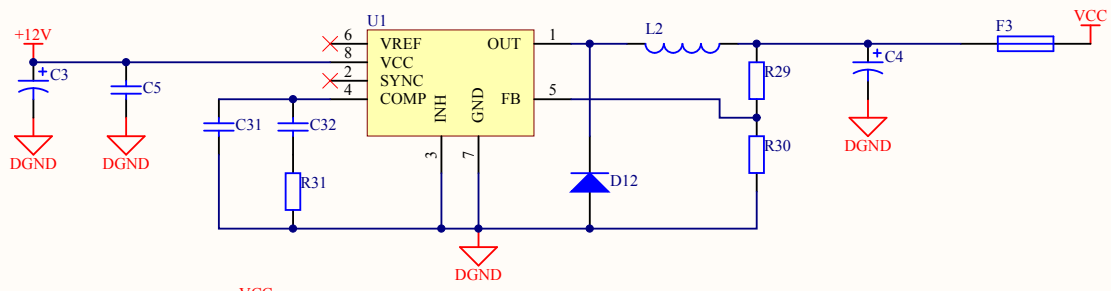
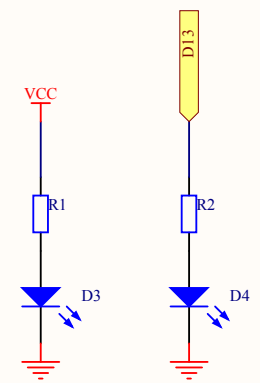
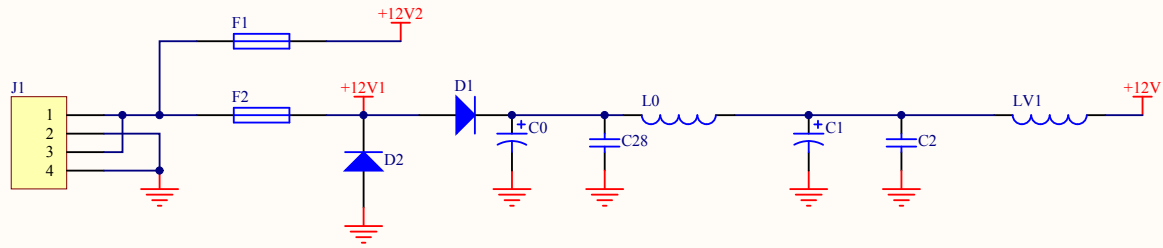
2

3

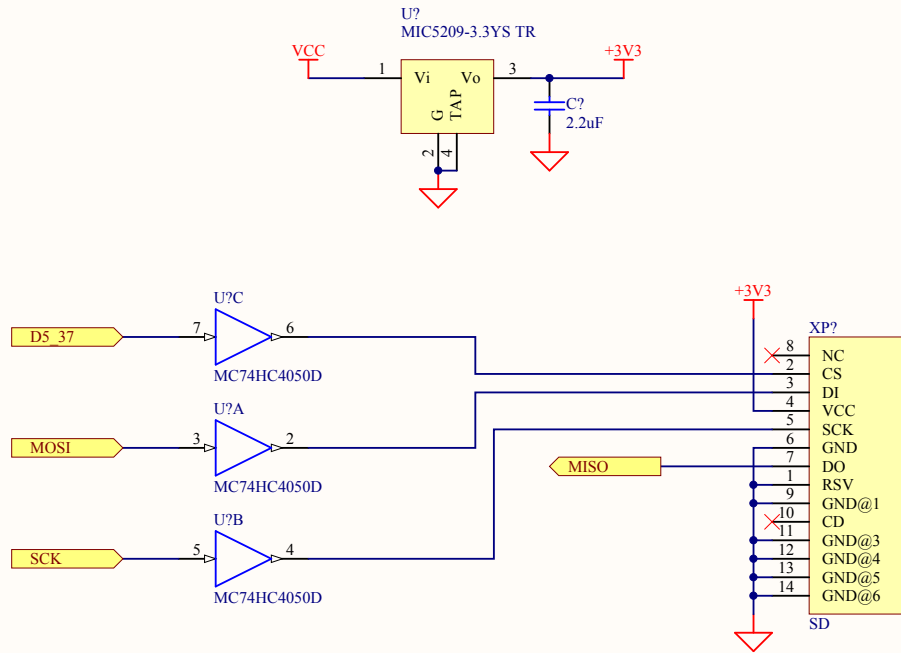
4



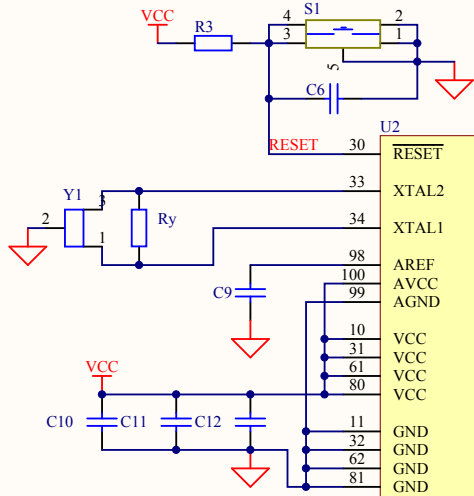
Title		
Size A4	Number	Revision
Date:	2015/9/9	Sheet of
File:	E:\work\AUX-SchDoc	Drawn By:



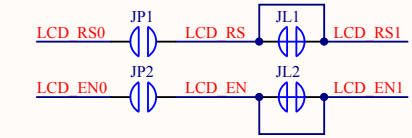
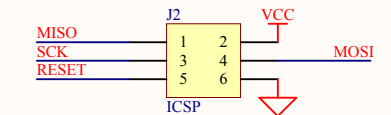
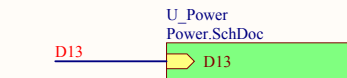
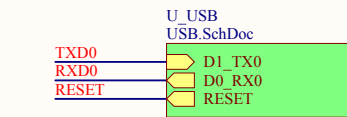
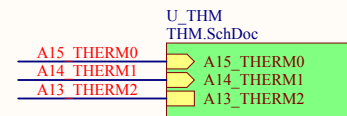
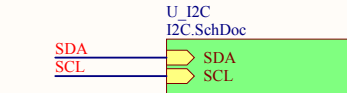
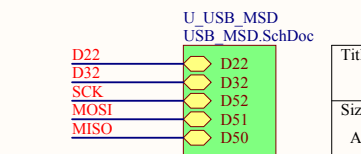
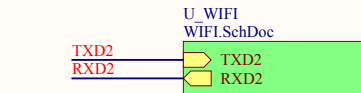
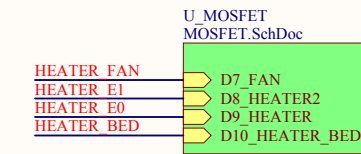
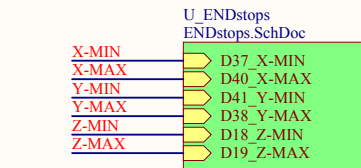
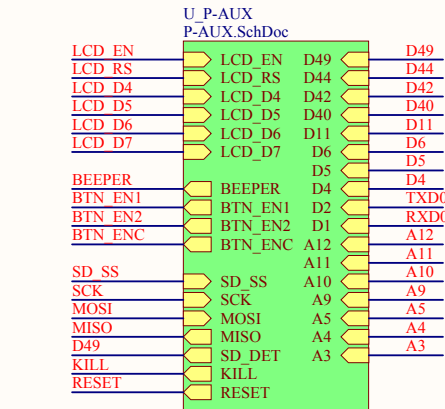
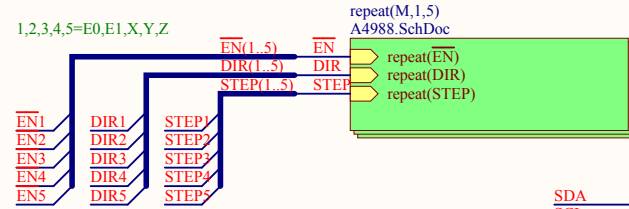
Title		
Size	Number	Revision
A4		
Date:	2015/9/9	Sheet of
File:	E:\work\...\Power.SchDoc	Drawn By:



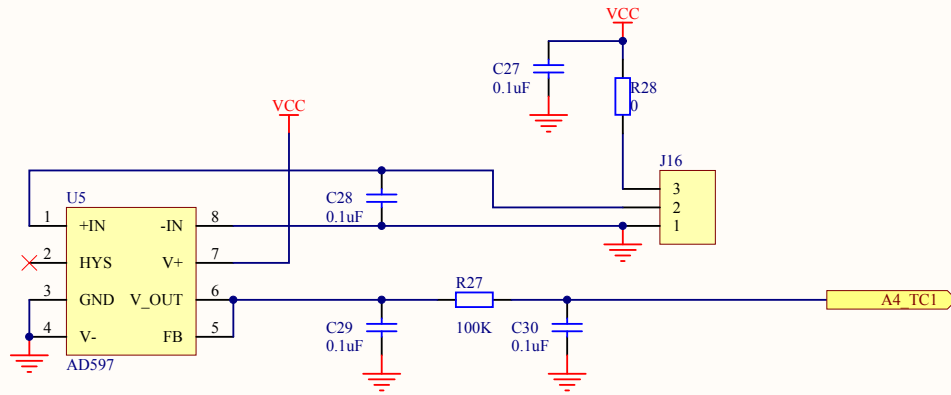
Title		
Size	Number	Revision
A4		
Date:	2015/9/9	Sheet of
File:	E:\work\SD.SchDoc	Drawn By:



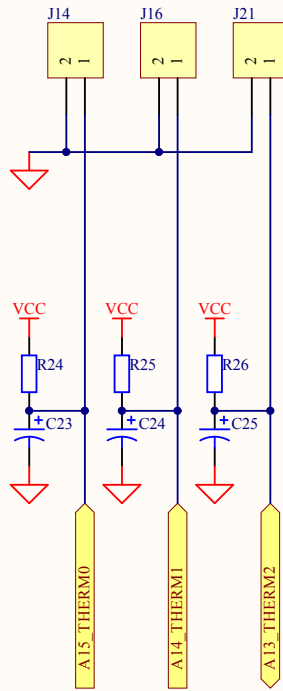
RESET	30	RESET	(AD7)PA7	71	LCD D7
XTAL2	33	XTAL2	(AD6)PA6	72	DIR1
XTAL1	34	XTAL1	(AD5)PA5	73	LCD D6
AREF	98	AREF	(AD4)PA4	74	STEP1
AVCC	100	AVCC	(AD3)PA3	75	LCD D5
AGND	99	AGND	(AD2)PA2	76	EN1
VCC	10	VCC	(AD1)PA1	77	LCD D4
VCC	31	VCC	(AD0)PA0	78	D22
VCC	61	VCC	(OC0A/OC1C/PCINT7)PB7	26	D13
VCC	61	VCC	(OC1B/PCINT6)PB6	25	D11
VCC	80	VCC	(OC1A/PCINT5)PB5	24	D11
VCC	80	VCC	(OC2A/PCINT4)PB4	23	HEATER E0
GND	11	GND	(MISO/PCINT3)PB3	22	MISO
GND	32	GND	(MOSI/PCINT2)PB2	21	MOSI
GND	62	GND	(SCK/PCINT1)PB1	20	SCK
GND	81	GND	(SS/PCINT0)PB0	19	SD SS
D42	42	PL7	(A15)PC7	60	EN2
D44	40	PL6	(A14)PC6	59	BTN EN1
STEPS5	38	PL5(OC5C)	(A13)PC5	58	D32
DIR5	36	PL4(OC5B)	(A12)PC4	57	BTN EN2
D49	35	PL3(OC5A)	(A11)PC3	56	DIR2
A15 THERM0	82	PL2(T5)	(A10)PC2	55	BTN ENC
A14 THERM1	83	PL1(ICP5)	(A9)PC1	54	STEP2
A13 THERM2	84	PL0(ICP4)	(A8)PC0	53	BEEPER
A12	85	PK7(ADC15/PCINT23)	(T0)PD7	50	EN3
A11	86	PK6(ADC14/PCINT22)	(T1)PD6	49	Z-MIN
A10	87	PK5(ADC13/PCINT21)	(XCK1)PD5	48	Z-MAX
A9	88	PK4(ADC12/PCINT20)	(ICP1)PD4	47	SDA
ENS	89	PK3(ADC11/PCINT19)	(TXD1/INT3)PD3	46	SCL
Y-MIN	64	PK2(ADC10/PCINT18)	(RXD1/INT2)PD2	45	Z-MAX
Y-MAX	63	PK1(ADC9/PCINT17)	(SDA/INT1)PD1	44	Z-MIN
HEATER FAN	18	PK0(ADC8/PCINT16)	(SCL/INT0)PD0	43	Z-MAX
HEATER BED	17	(CLK0/ICP3/INT7)PE7	(SCL/INT0)PD0	43	Z-MIN
HEATER E1	16	(T3/INT6)PE6	(TXD0)PE1	2	RXD0
D6	15	(OC3C/INT5)PE5	(RXD0/PCINT8)PE0	2	RXD0
LCD RS1	13	(OC3B/INT4)PE4	(ADC7/TD1)PF7	90	DIR4
LCD EN1	12	(OC3A/AIN1)PE3	(ADC6/TD0)PF6	91	STEP4
		(XCK0/AIN0)PE2	(ADC5/TMS)PF5	92	A5
		(TXD0)PE1	(ADC4/TCK)PF4	93	A4
		(RXD0/PCINT8)PE0	(ADC3)PF3	94	A3
			(ADC2)PF2	95	EN4
			(ADC1)PF1	96	DIR3
			(ADC0)PF0	97	STEP3
			(OC0B)PG5	1	D4
			(TOSC1)PG4	29	D22
			(TOSC2)PG3	28	D32
			(ALE)PG2	70	SCK
			(RD)PG1	52	MOSI
			(WR)PG0	51	MISO



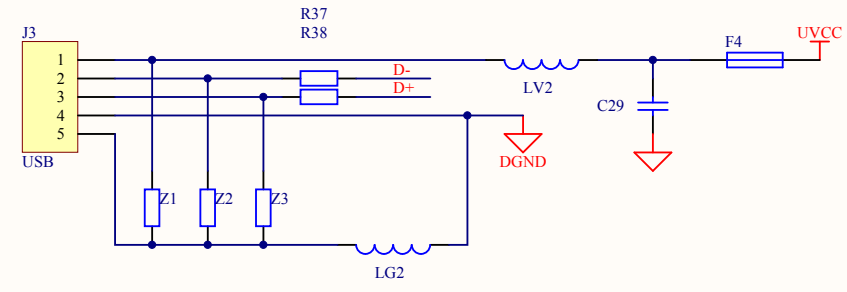
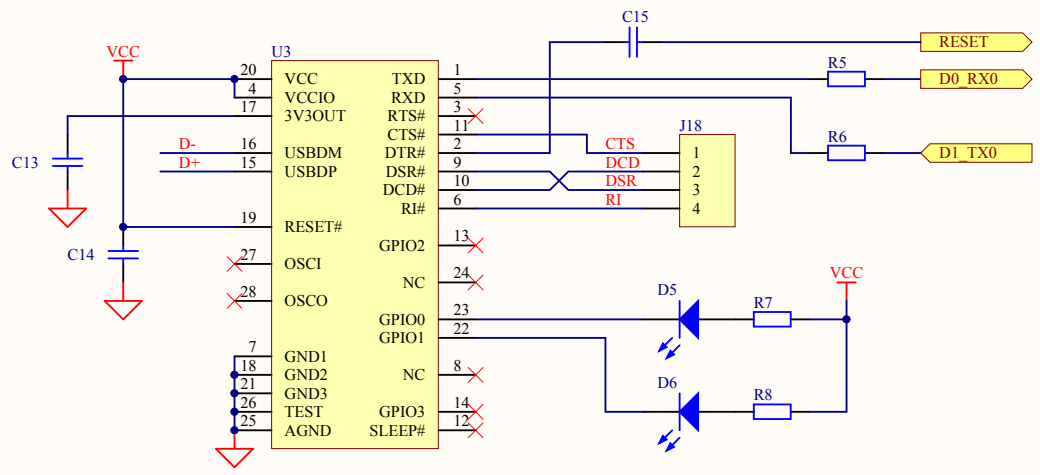
Title		
Size	Number	Revision
A4		
Date:	2015/9/9	Sheet of
File:	E:\work\...\sys.SchDoc	Drawn By:



Title		
Size A4	Number	Revision
Date:	2015/9/9	Sheet of
File:	E:\work\Thermocouple.SchDoc	Drawn By:



Title		
Size A4	Number	Revision
Date:	2015/9/9	Sheet of
File:	E:\work\THM.SchDoc	Drawn By:



Title		
Size	Number	Revision
A4		
Date:	2015/9/9	Sheet of
File:	E:\work\USB.SchDoc	Drawn By:

1

2

3

4

A

A

B

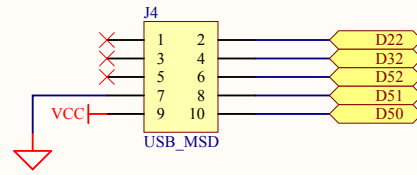
B

C

C

D

D



Title		
Size	Number	Revision
A4		
Date:	2015/9/9	Sheet of
File:	E:\work\USB_MSD.SchDoc	Drawn By:

1

2

3

4

1

2

3

4

A

A

B

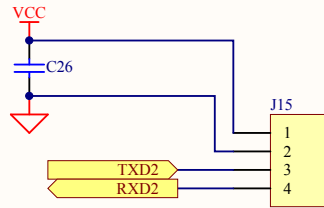
B

C

C

D

D



Title		
Size	Number	Revision
A4		
Date:	2015/9/9	Sheet of
File:	E:\work\WIFI.SchDoc	Drawn By:

1

2

3

4

