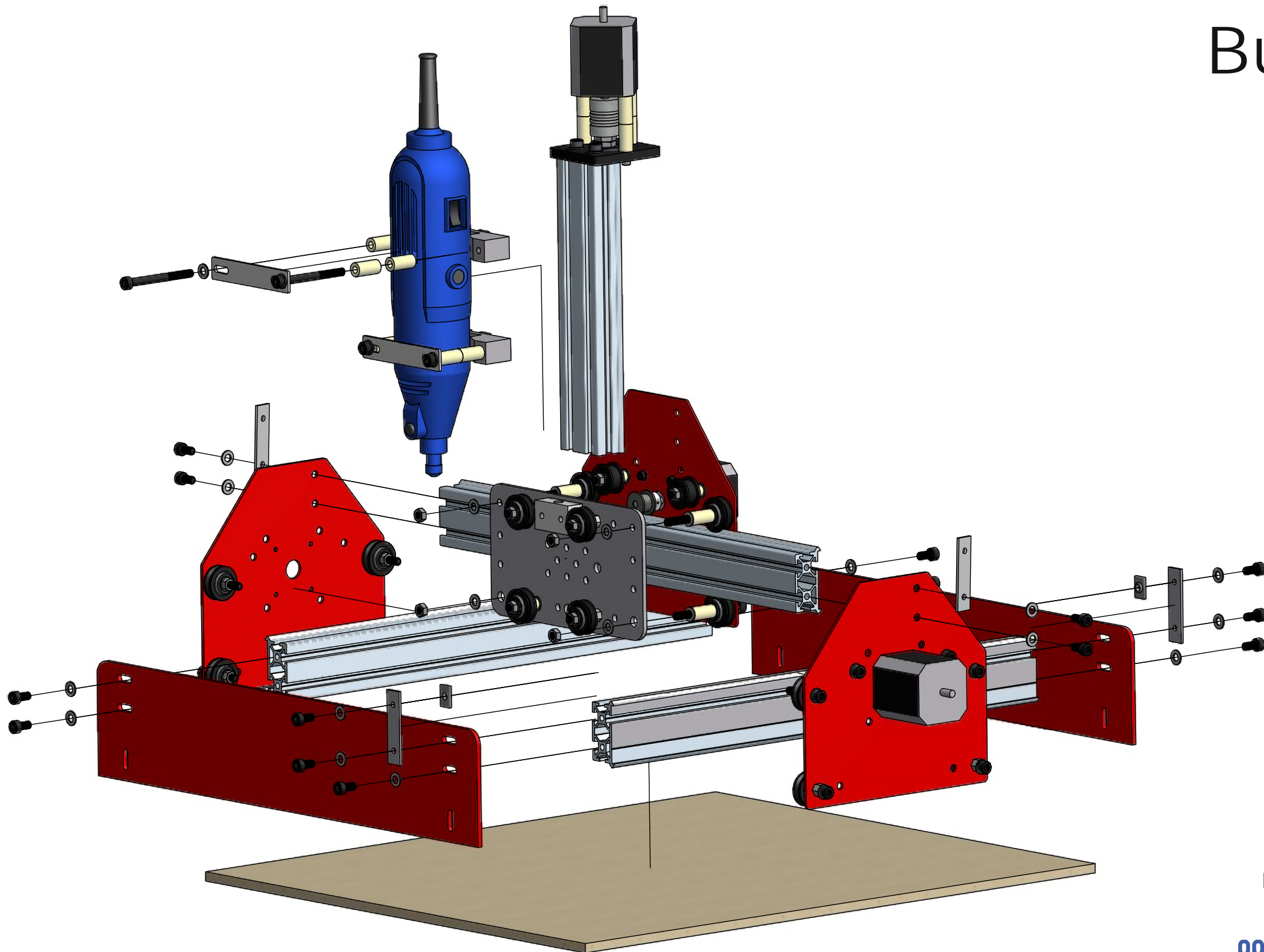


shapeoko

Build Instructions



v1j

<http://www.shapeoko.com>
14 May 2013