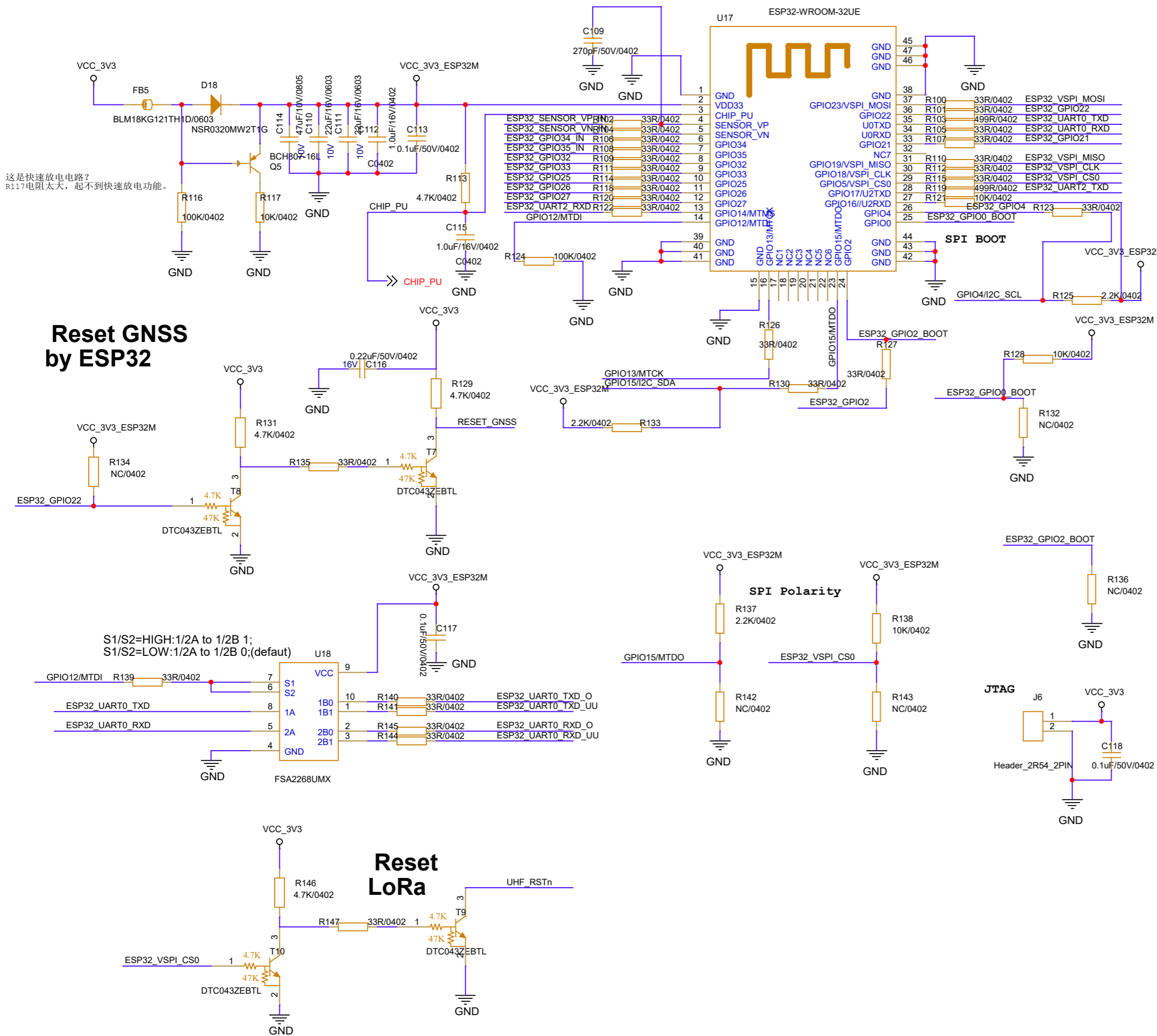
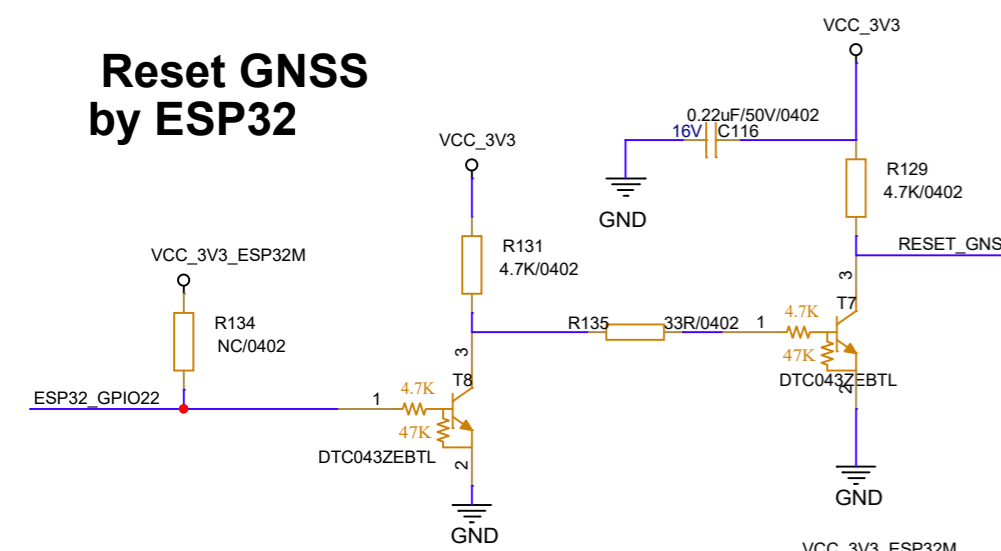


ESP32-WROOM-32UE

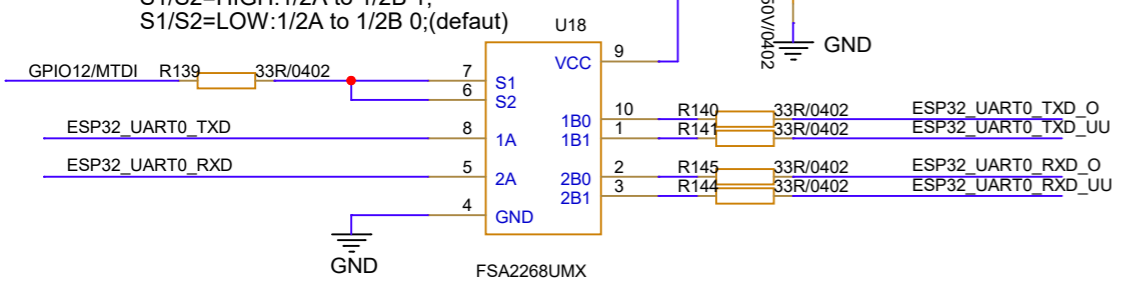


这是快速放电电路?
R117电阻太大, 起不到快速放电功能。

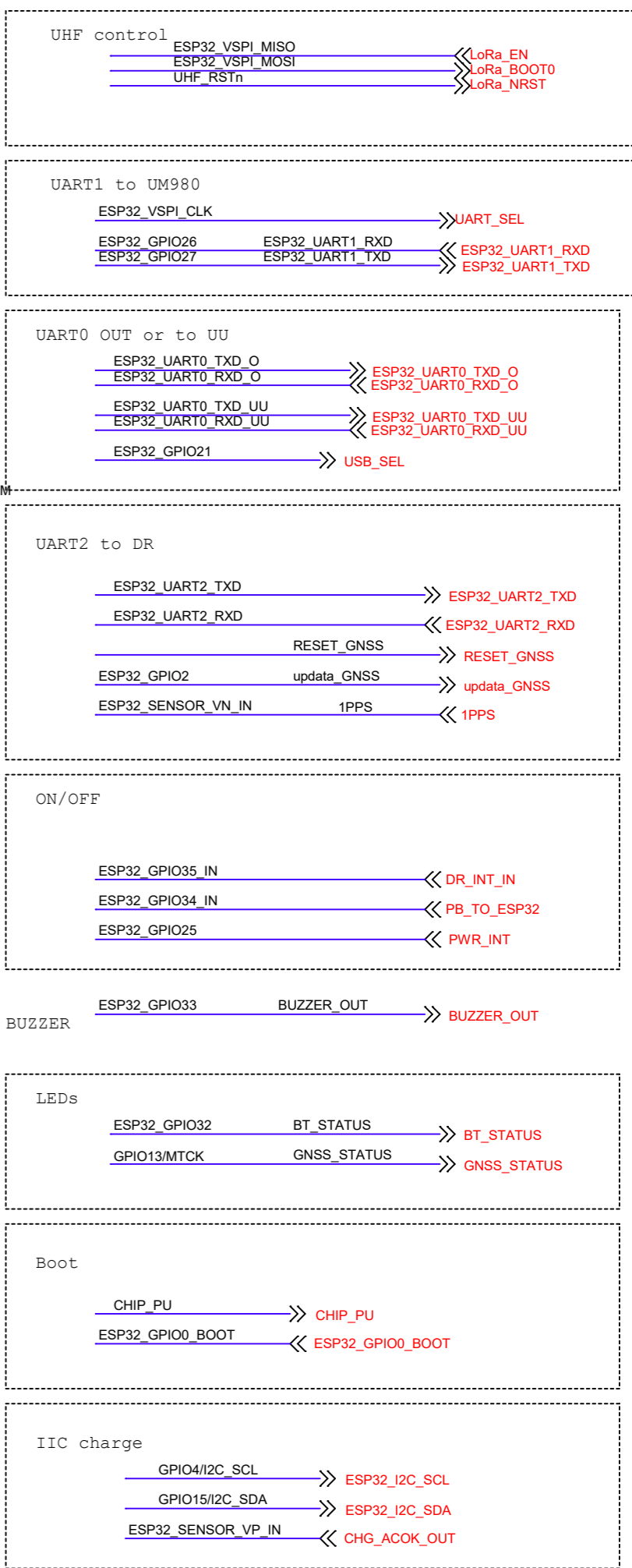
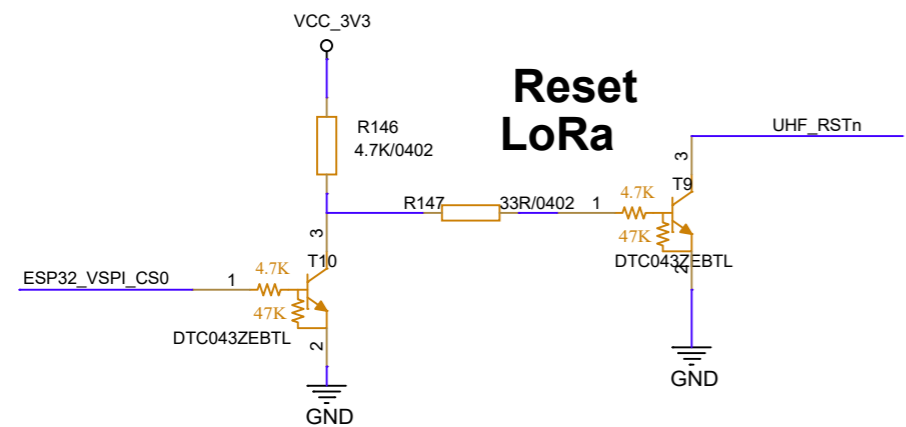
Reset GNSS by ESP32

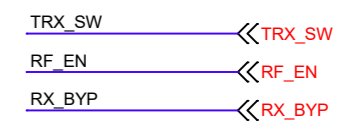
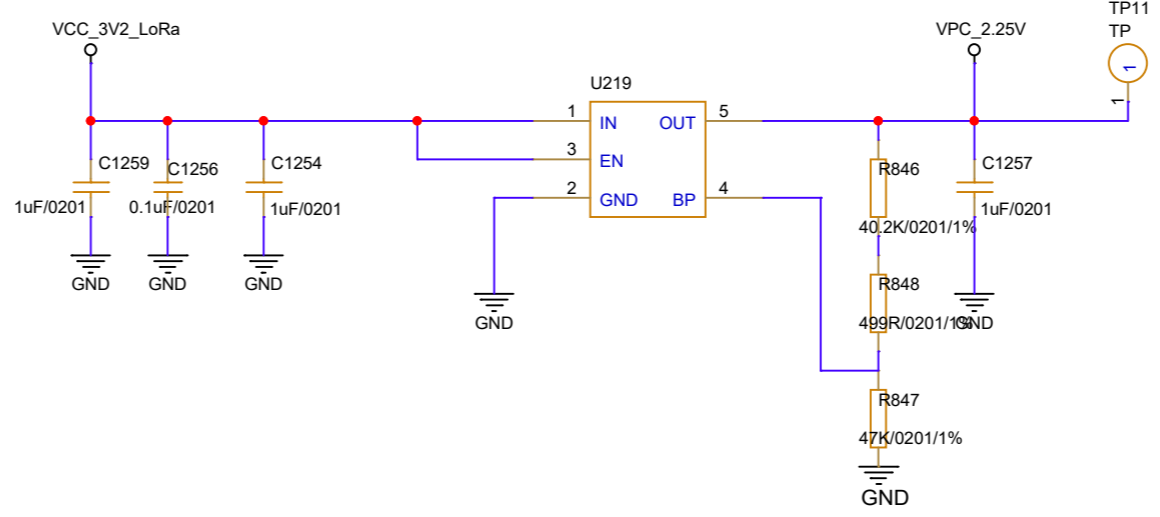
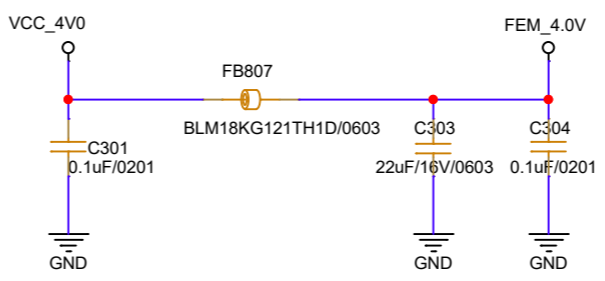


S1/S2=HIGH:1/2A to 1/2B 1;
S1/S2=LOW:1/2A to 1/2B 0;(default)

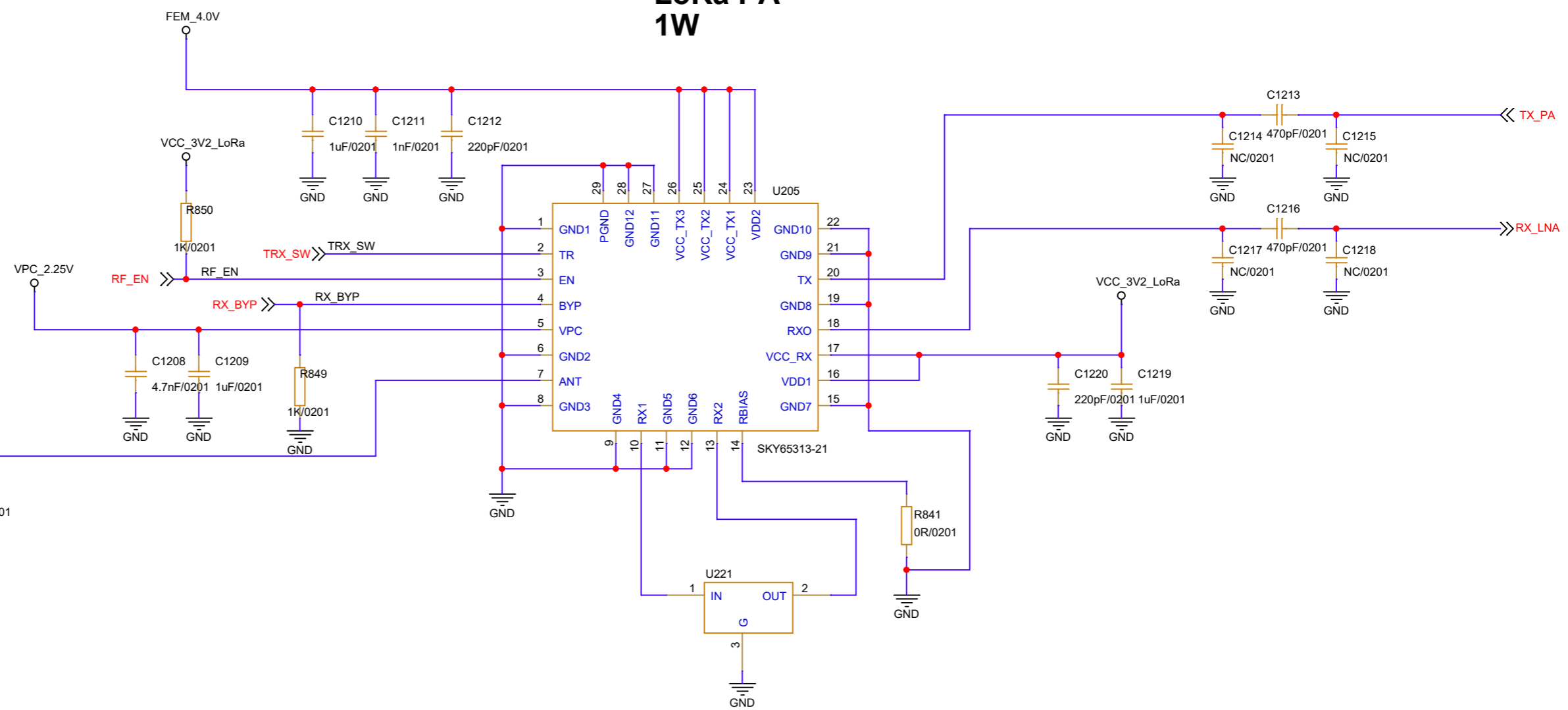


Reset LoRa

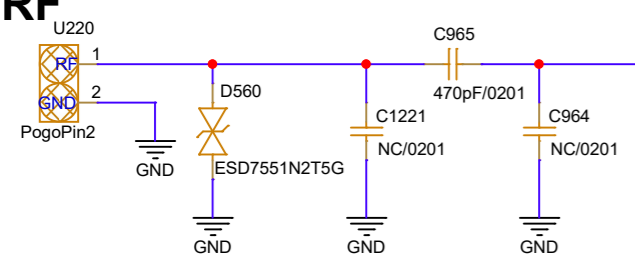


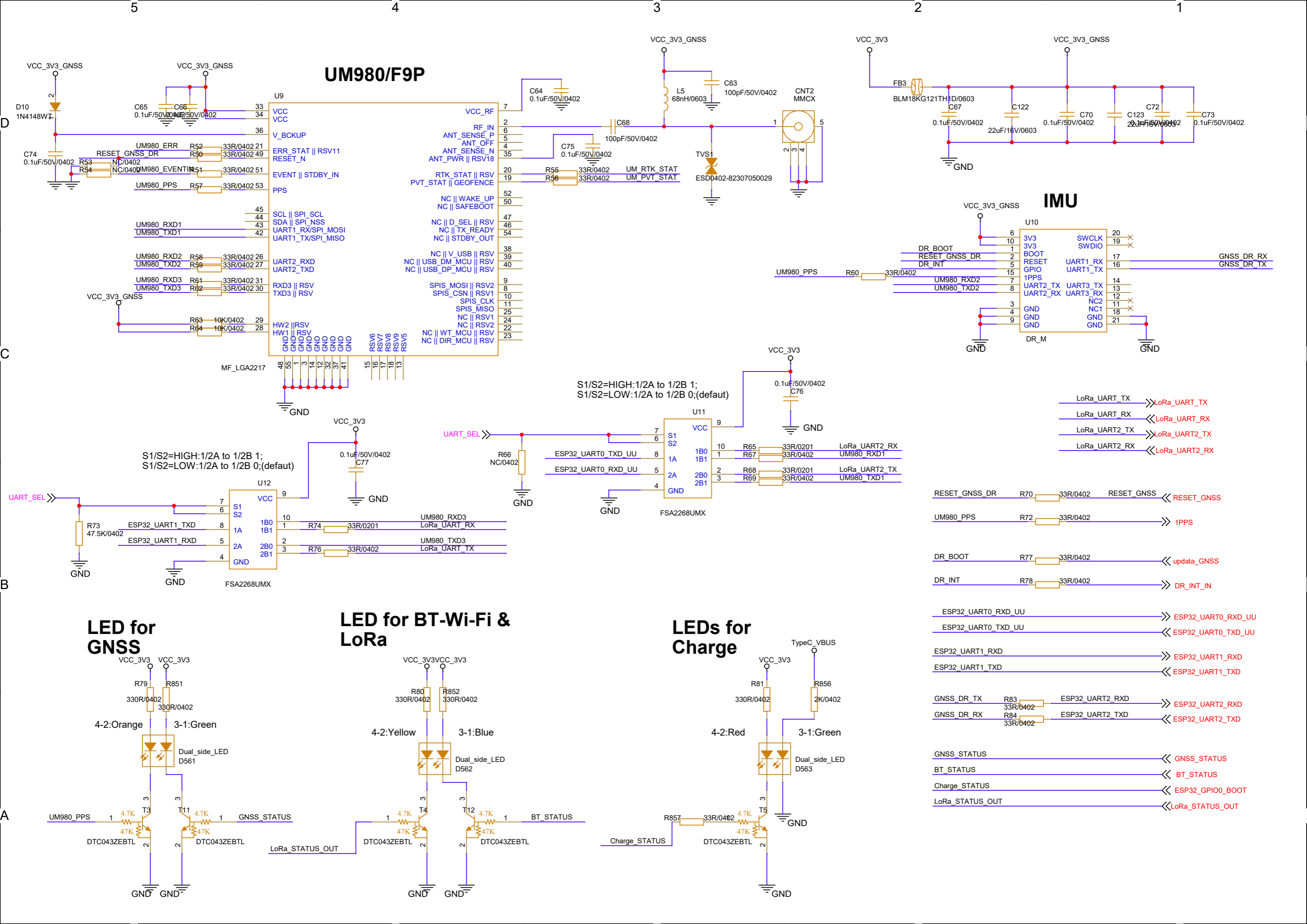


LoRa PA 1W



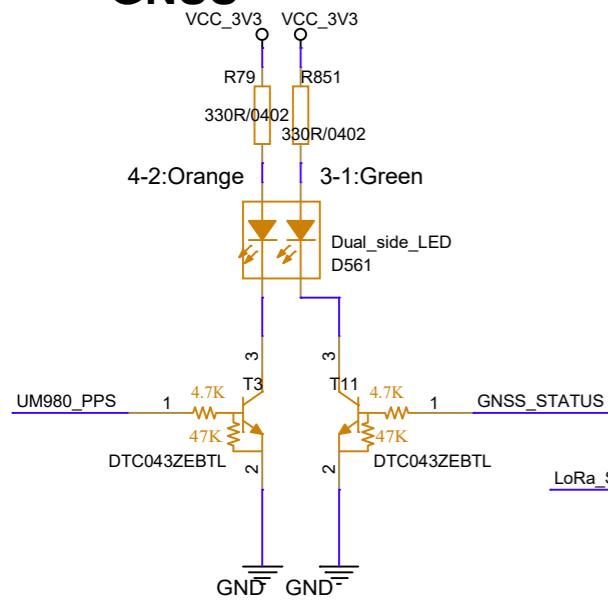
LoRa RF



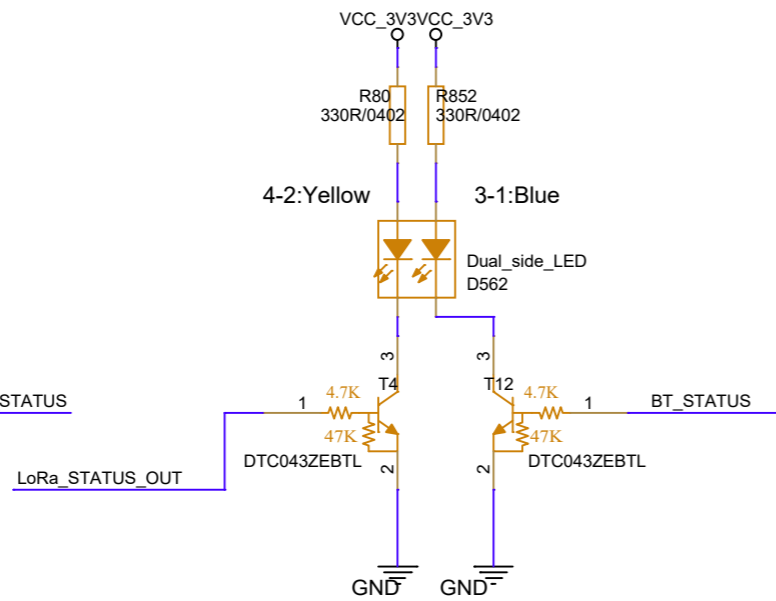


A

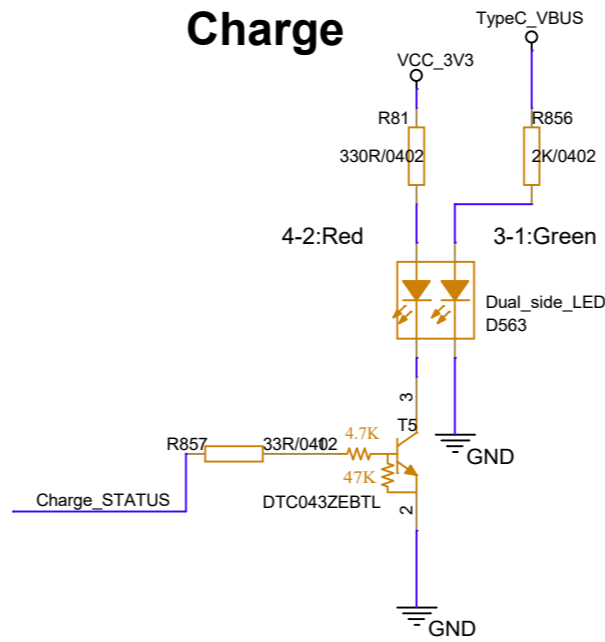
LED for GNSS



LED for BT-Wi-Fi & LoRa



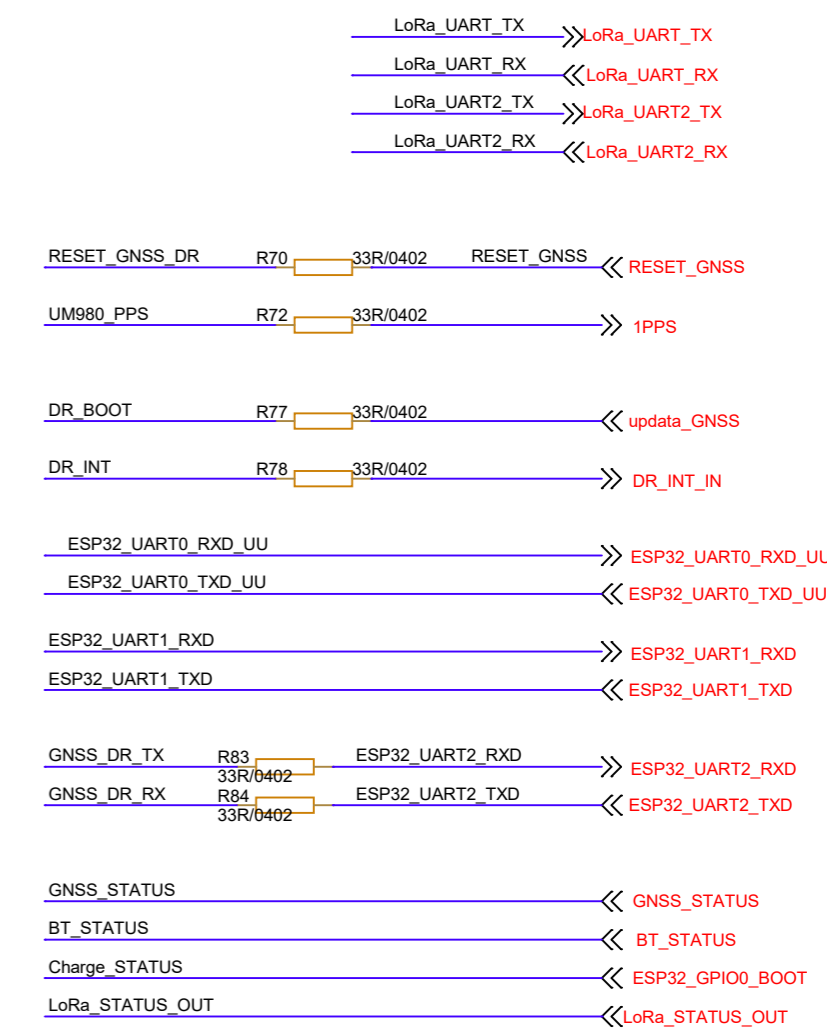
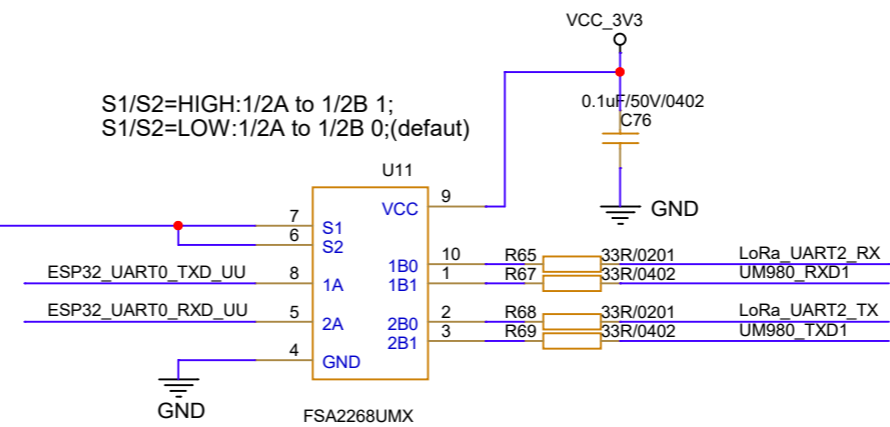
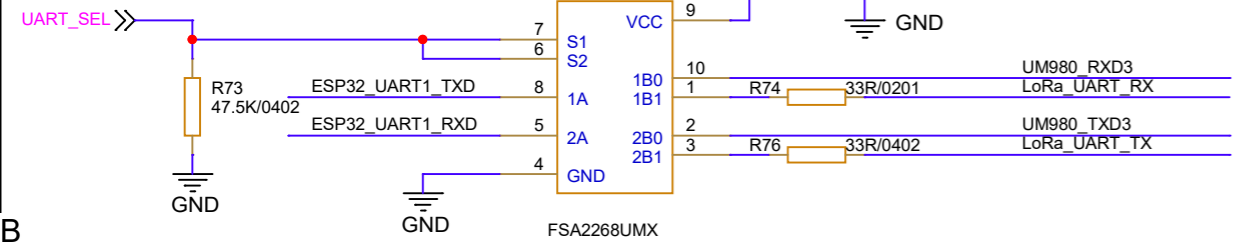
LEDs for Charge



B

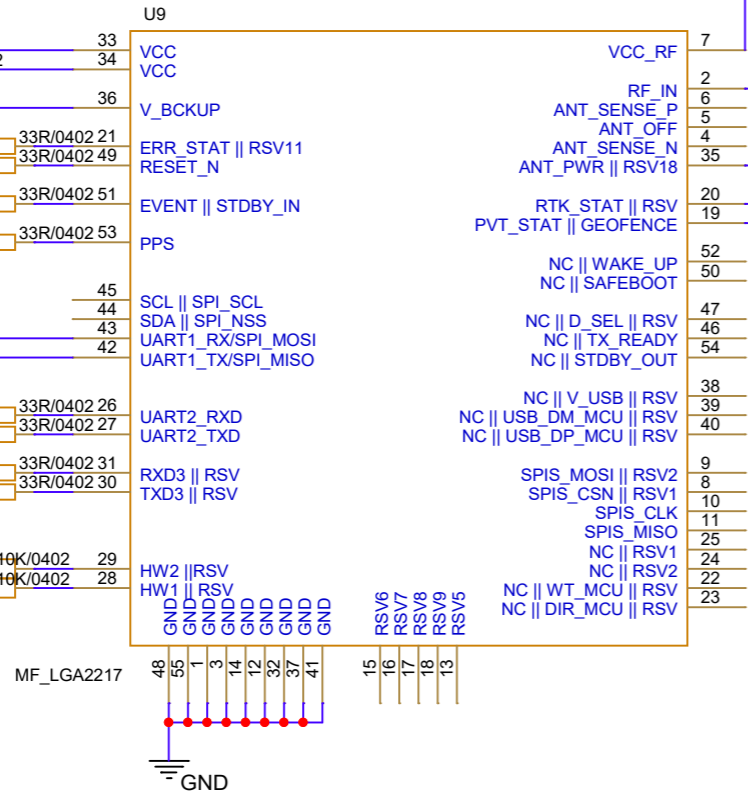
S1/S2=HIGH:1/2A to 1/2B 1;
S1/S2=LOW:1/2A to 1/2B 0;(default)

S1/S2=HIGH:1/2A to 1/2B 1;
S1/S2=LOW:1/2A to 1/2B 0;(default)

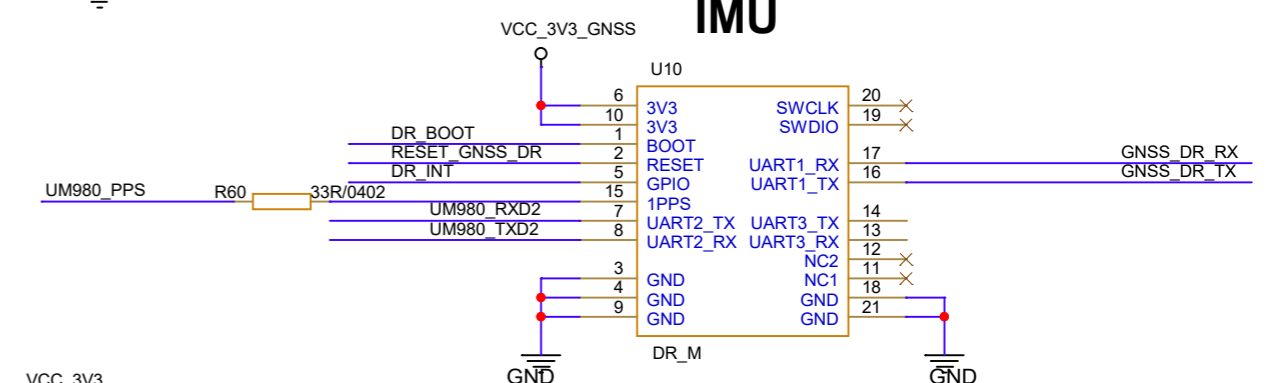


C

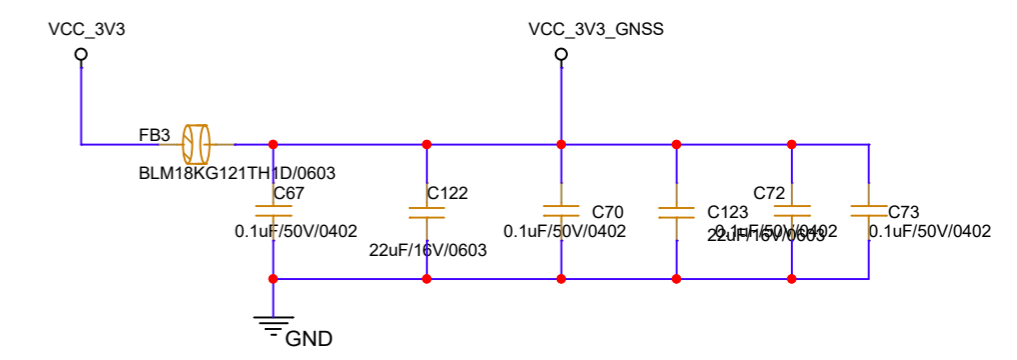
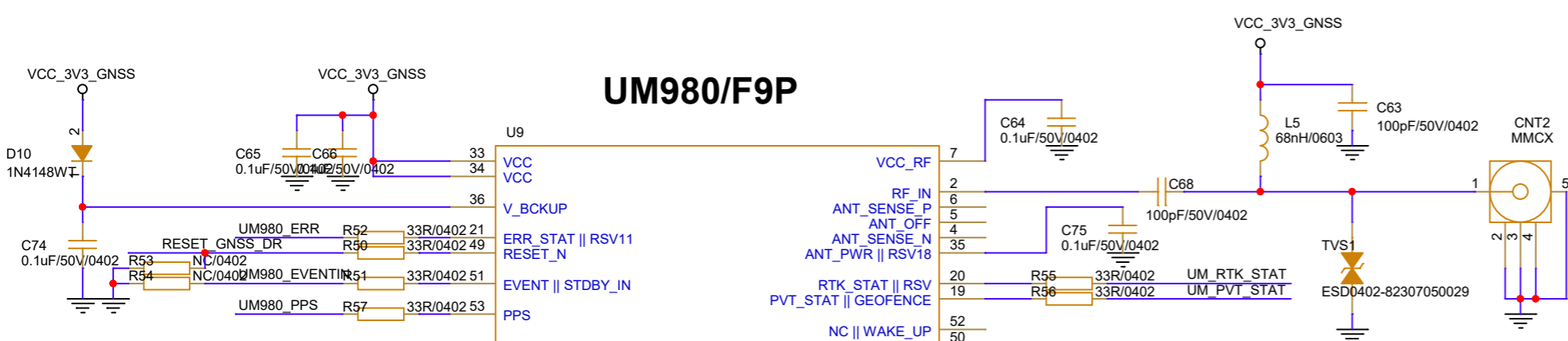
UM980/F9P



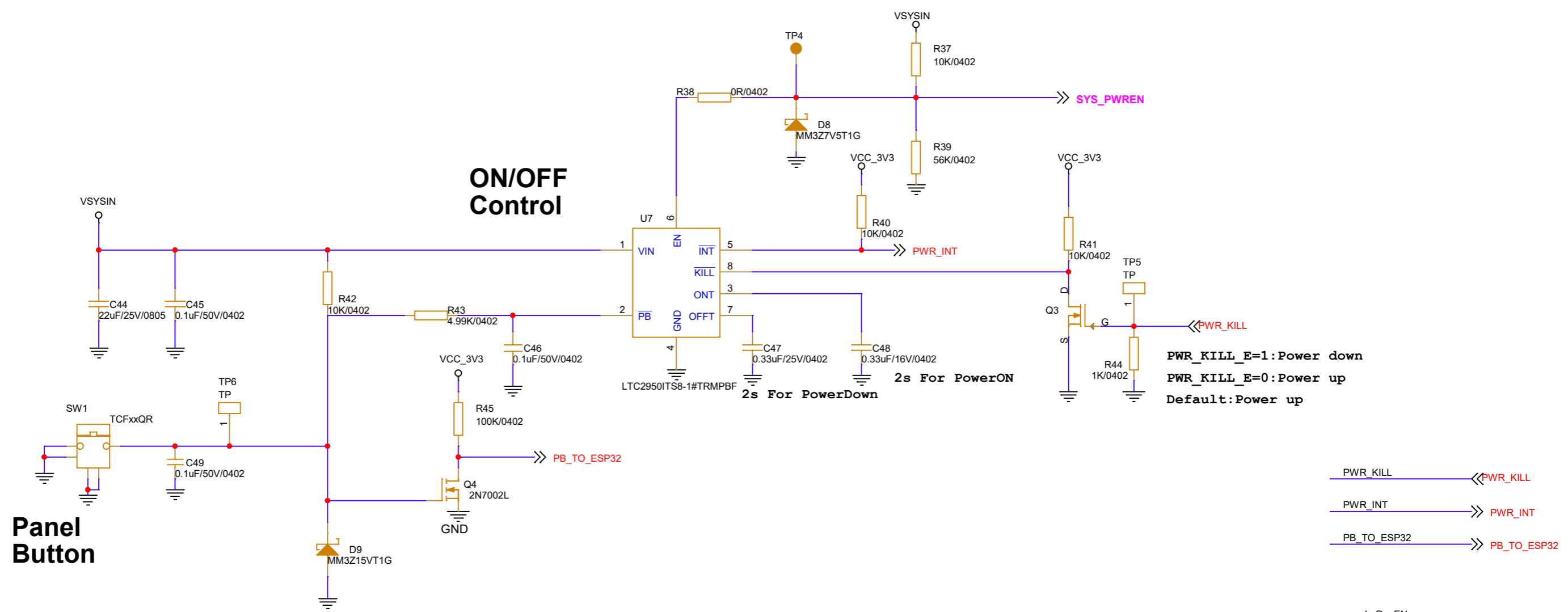
IMU



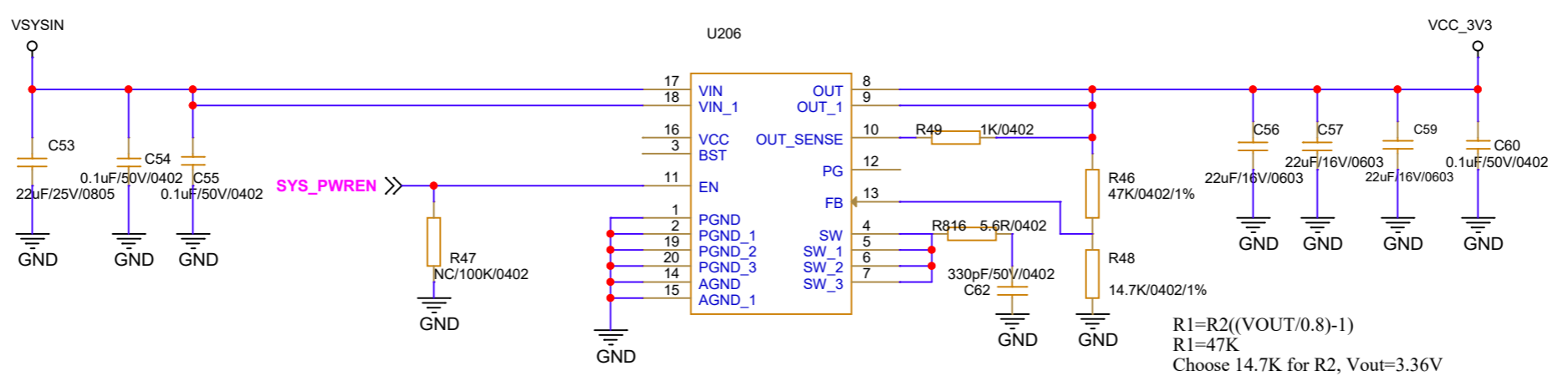
D



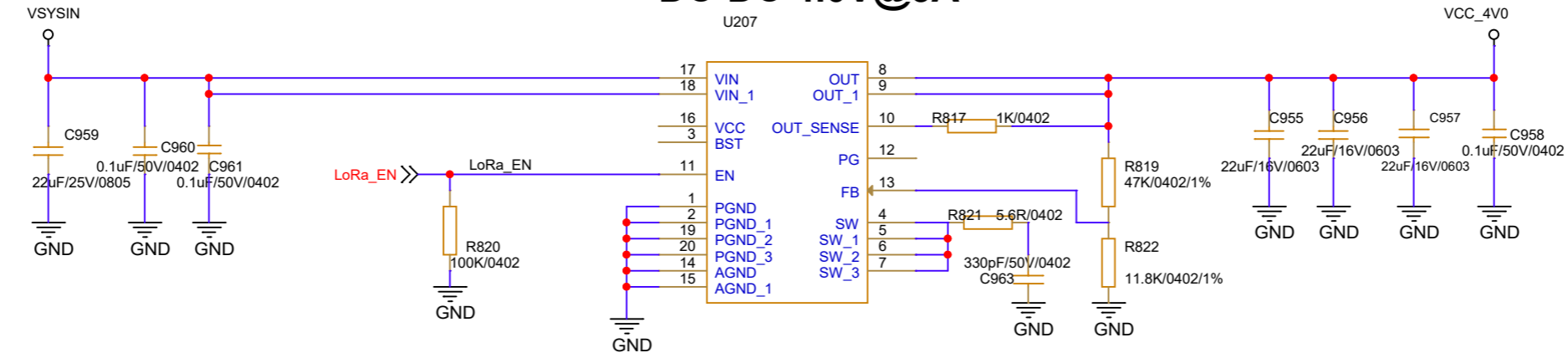
E



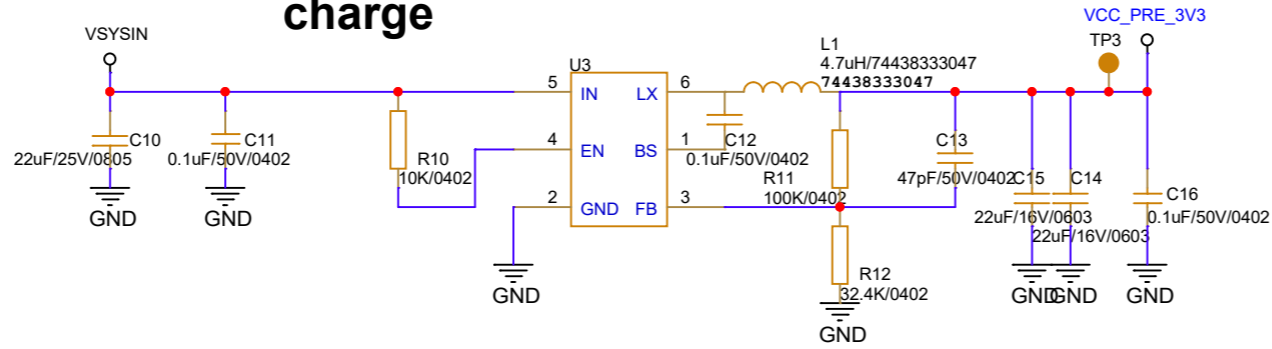
DC-DC 3.3V@3A



DC-DC 4.0V@3A

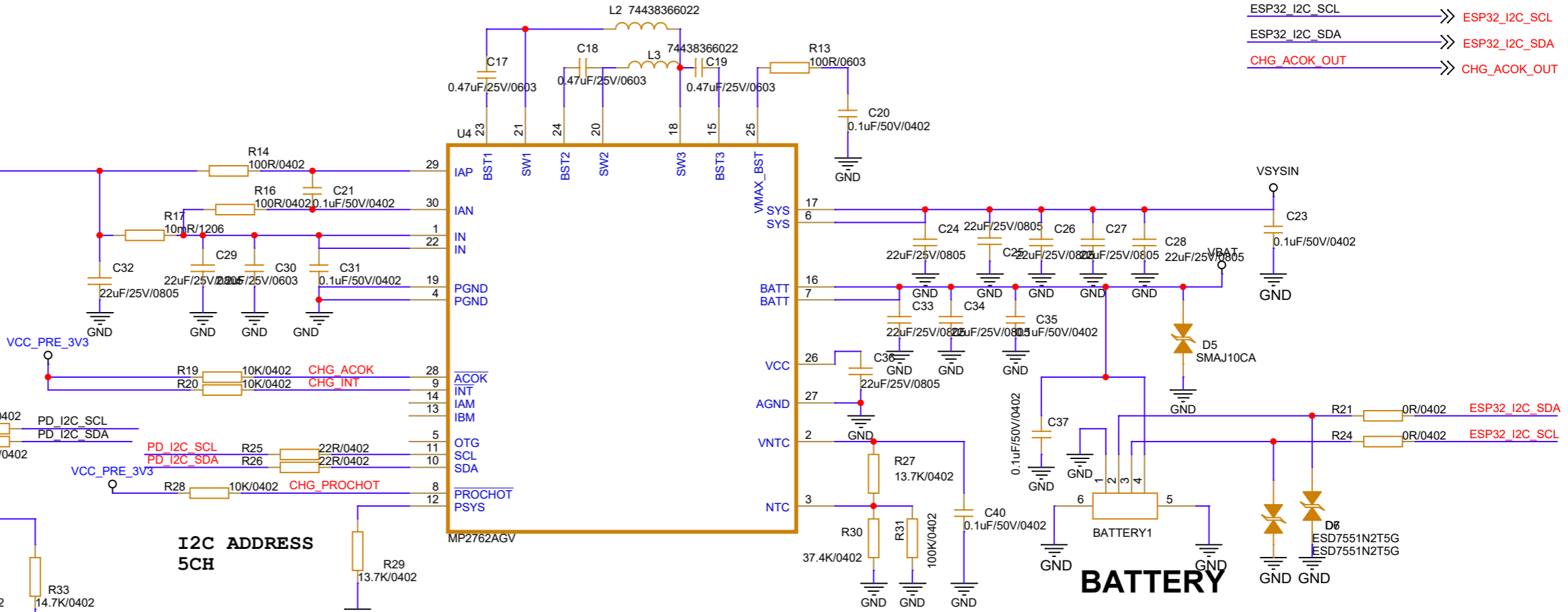


For charge



- TypeC_USB_CC1 >>> TypeC_USB_CC1
- TypeC_USB_CC2 >>> TypeC_USB_CC2
- Power_USB_D+ >>> Power_USB_D+
- Power_USB_D- >>> Power_USB_D-

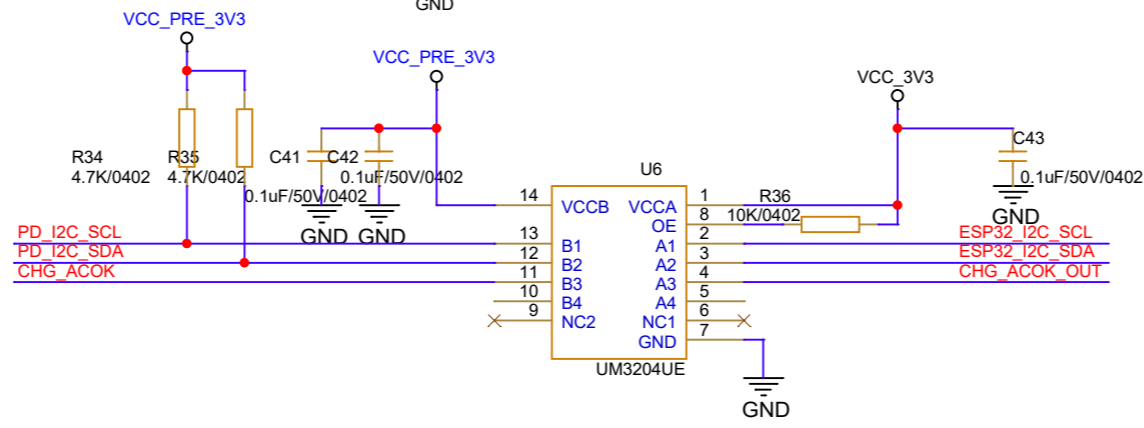
CHARGER



- ESP32_I2C_SCL >>> ESP32_I2C_SCL
- ESP32_I2C_SDA >>> ESP32_I2C_SDA
- CHG_ACOK_OUT >>> CHG_ACOK_OUT

BATTERY

If enable Temperature Sensing:
 R8=5.23K,R9=30.1K,R11=10K/NTC.
 if no TS:
 R8=R9=10K,R11=NC.



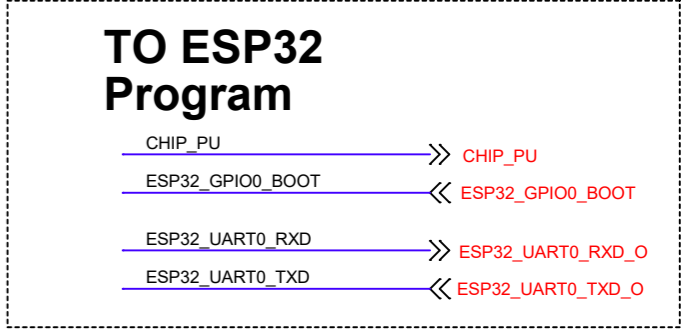
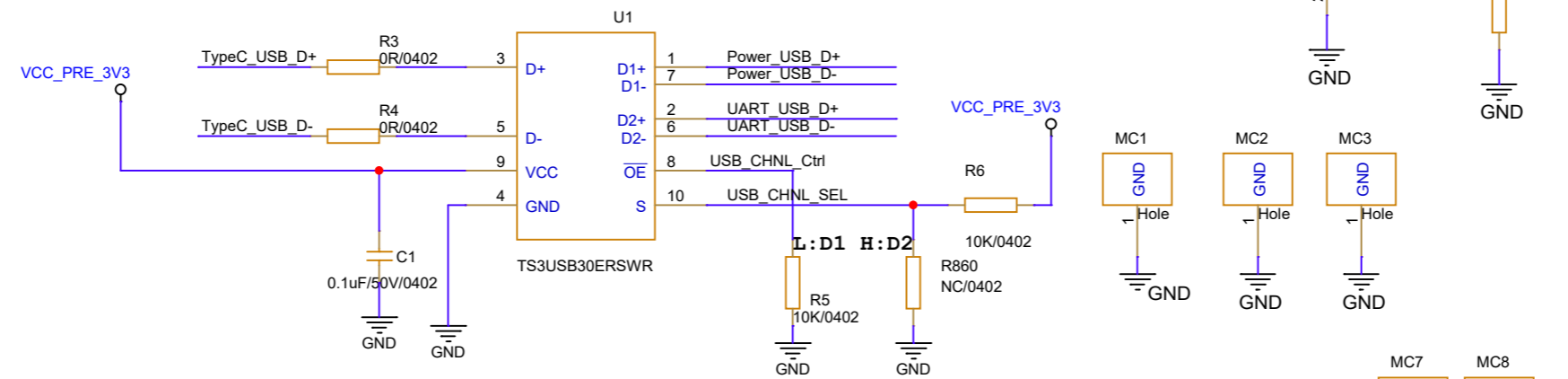
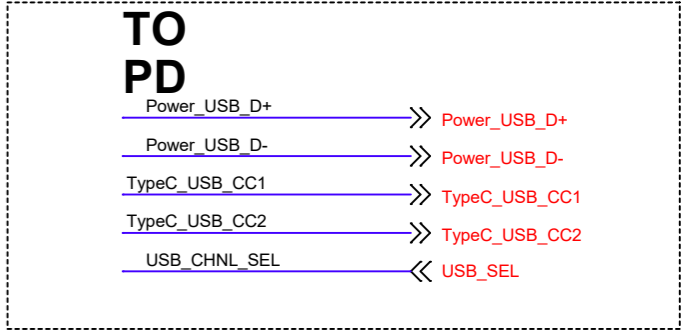
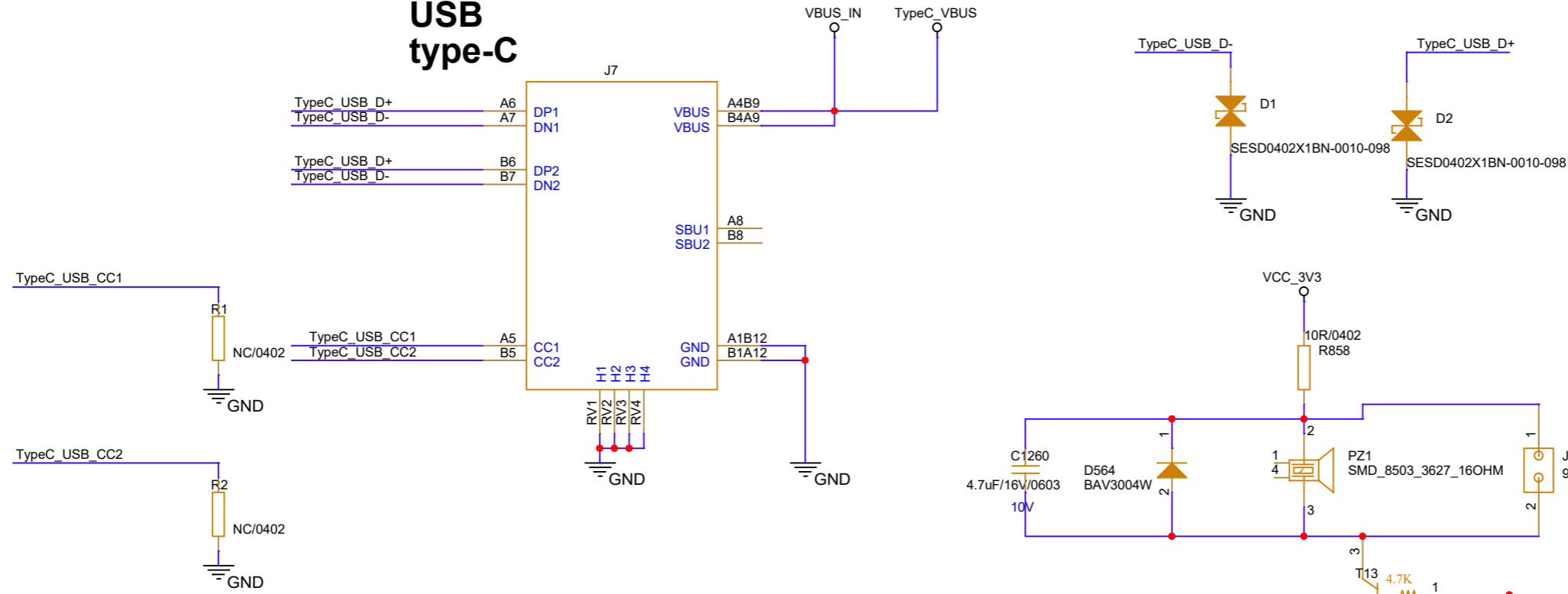
D

C

B

A

USB type-C



USB to UARTs

