

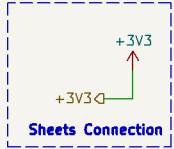
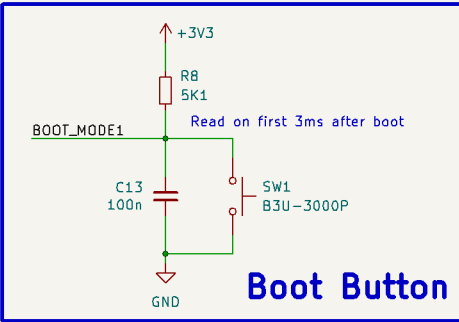
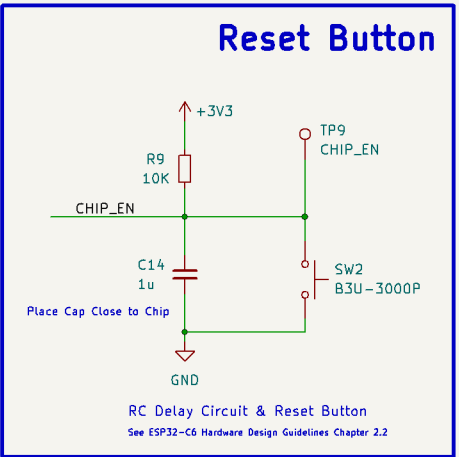
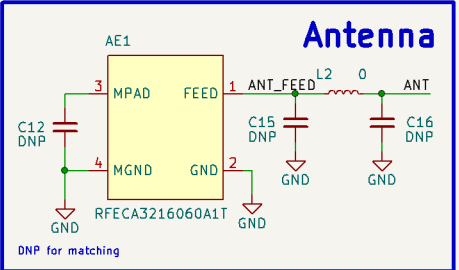
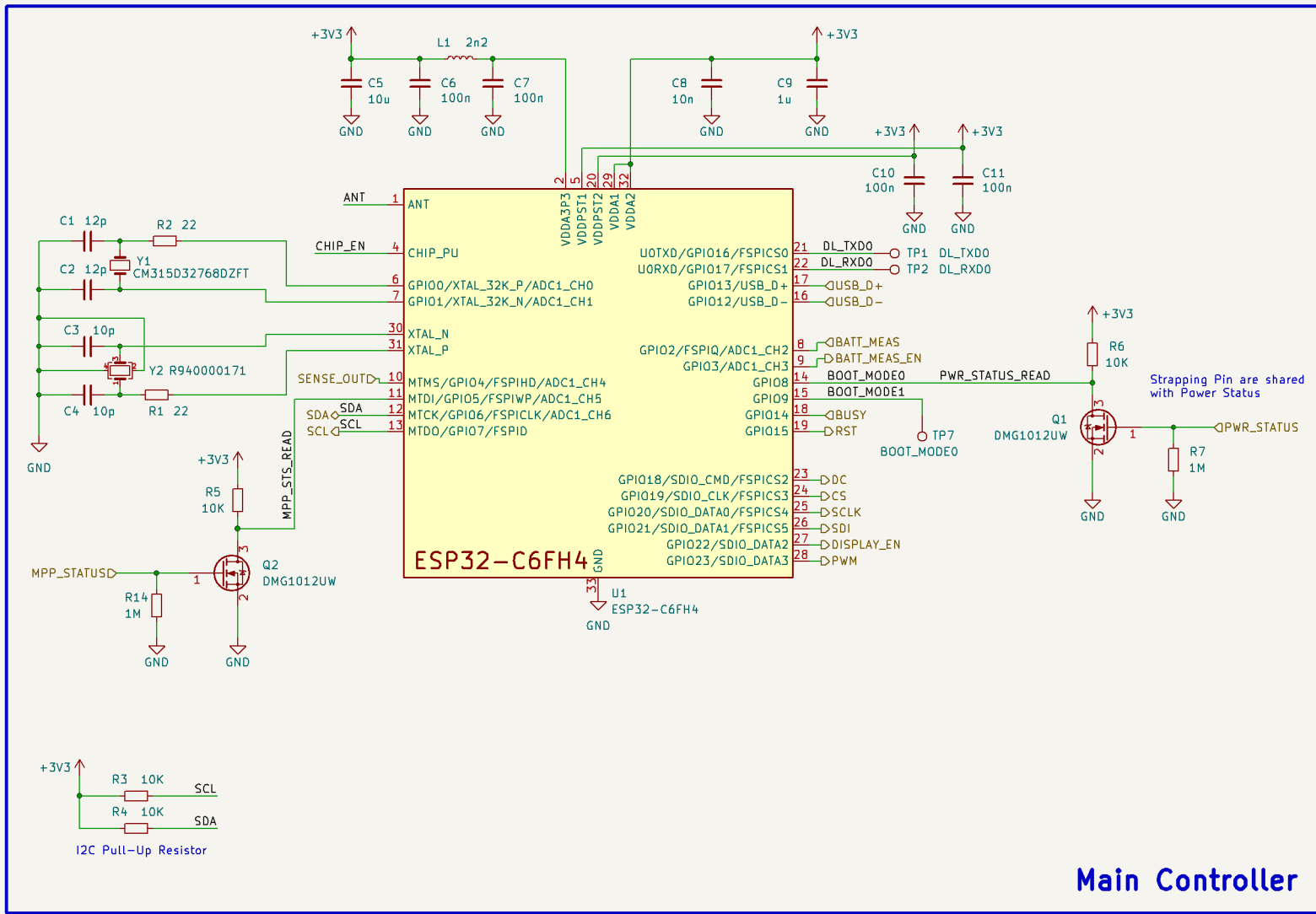
**Teapot Laboratories**

Sheet: /  
File: plantpal.kicad\_sch

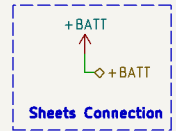
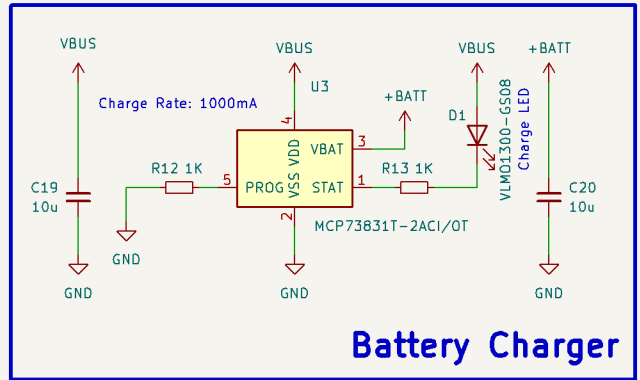
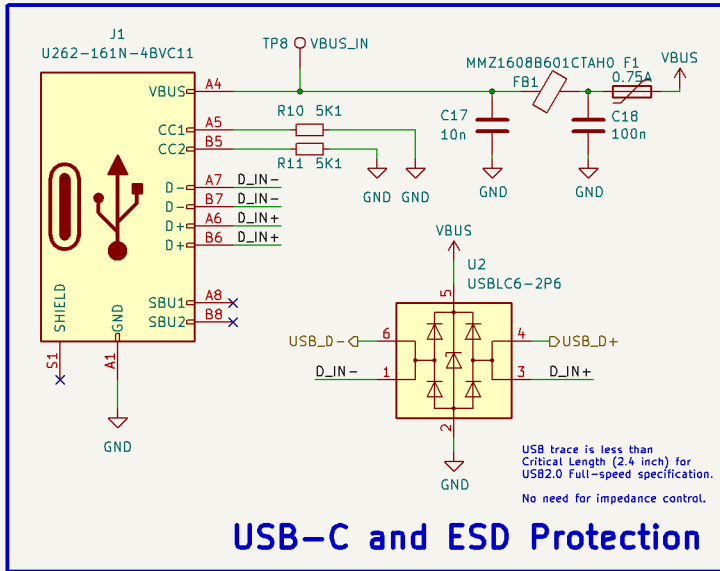
**Title: Teapotlabs Plantpal**

Size: A4 Date: 2024-02-01  
KiCad E.D.A. kicad 7.0.5

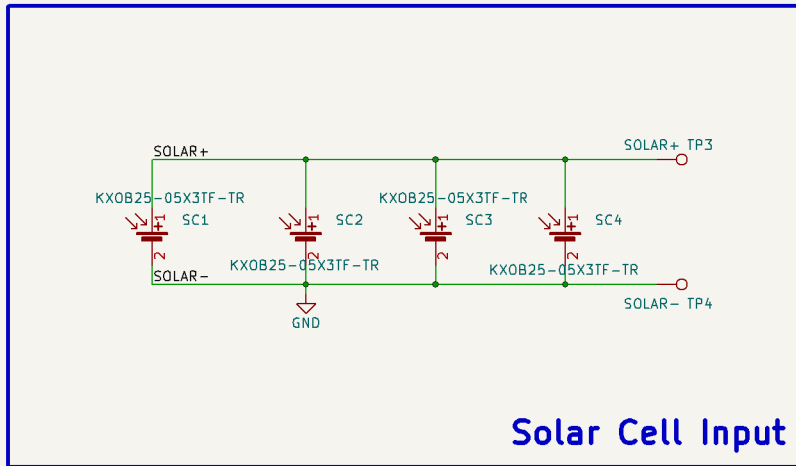
**Rev: 4**  
Id: 1/8



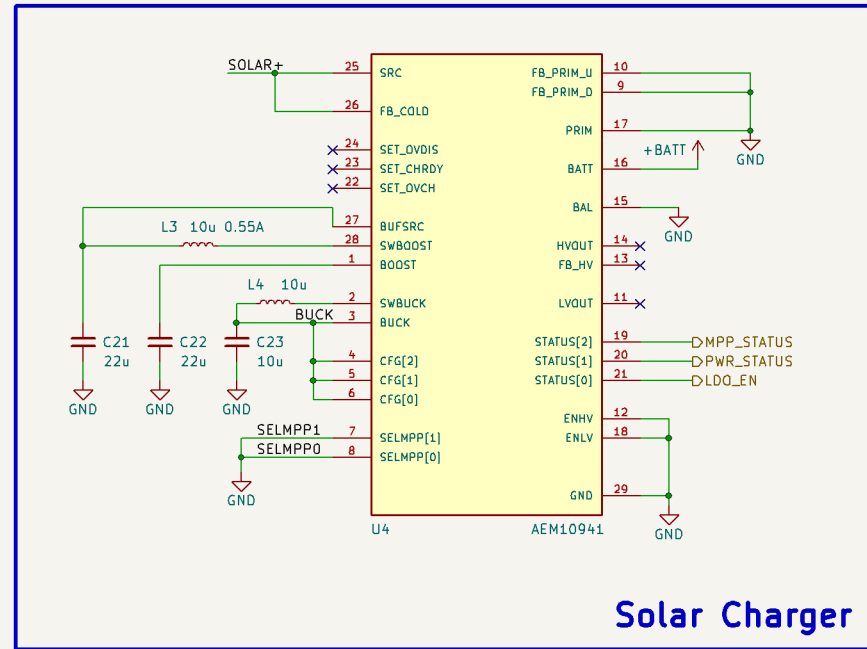
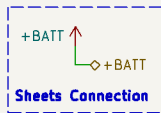
<b>Teapot Laboratories</b>	
Sheet: /Main Controller/	
File: main_controller.kicad_sch	
<b>Title: Main Controller</b>	
Size: A4	Date: 2024-02-01
KiCad E.D.A. kicad 7.0.5	Rev: 4
	Id: 2/8



<b>Teapot Laboratories</b>	
Sheet: /USB Power/	
File: usb_power.kicad_sch	
<b>Title: USB Power</b>	
Size: A5	Date: 2024-02-01
KiCad E.D.A. kicad 7.0.5	Rev: 4 Id: 3/8



Solar Cell Input



Solar Charger

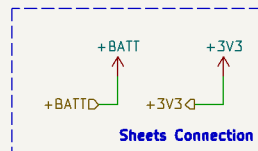
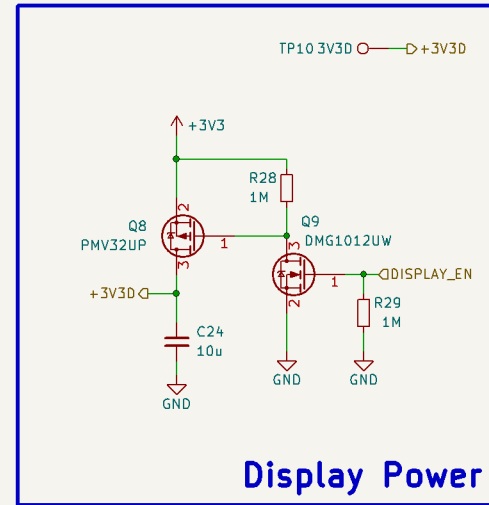
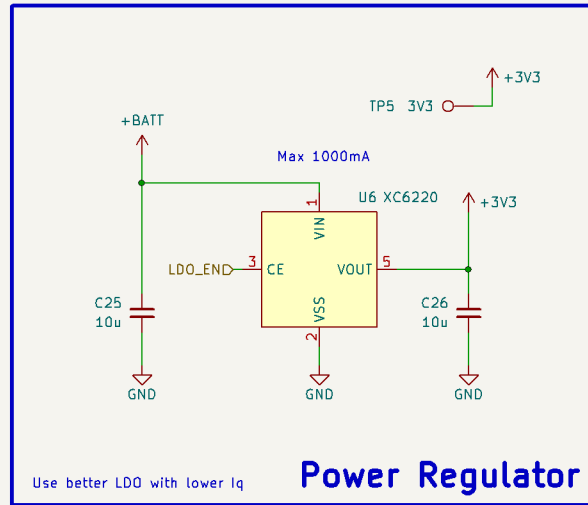
**Teapot Laboratories**

Sheet: /Solar Power/  
File: solar\_power.kicad\_sch

**Title: Solar Power**

Size: A4 Date: 2024-02-01  
KiCad E.D.A. kicad 7.0.5

**Rev: 4**  
Id: 4/8



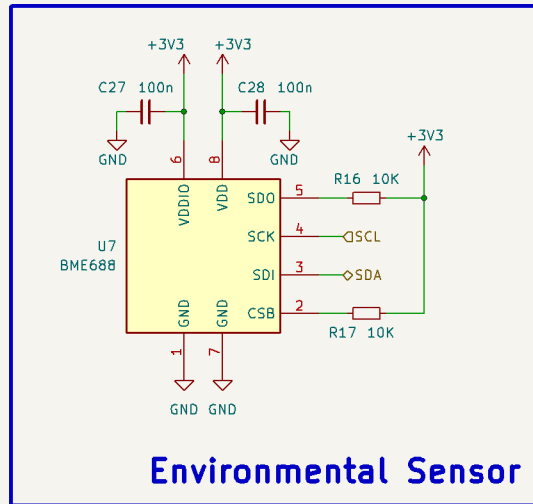
**Teapot Laboratories**

Sheet: /Power Regulator/  
 File: power\_regulator.kicad\_sch

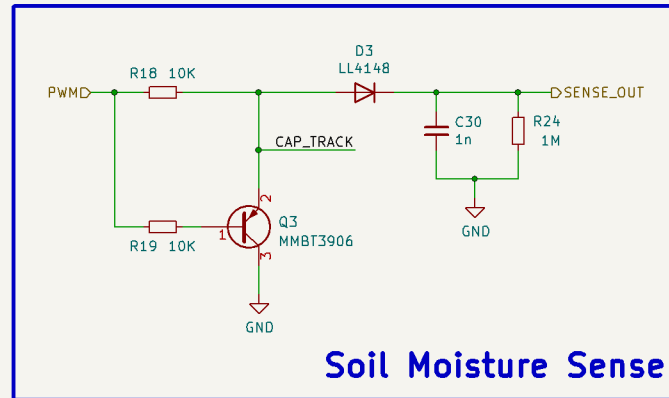
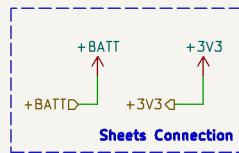
**Title: Power Regulator**

Size: A4 Date: 2024-02-01  
 KiCad E.D.A. kicad 7.0.5

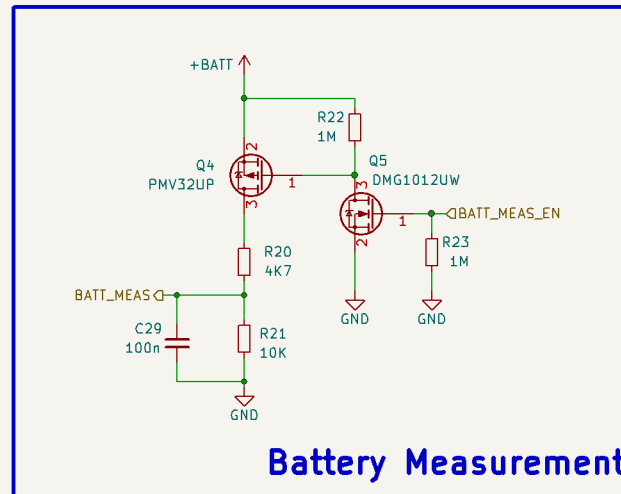
**Rev: 4**  
 Id: 5/8



**Environmental Sensor**



**Soil Moisture Sense**



**Battery Measurement**

**Teapot Laboratories**

Sheet: /Sensor/  
File: sensor.kicad\_sch

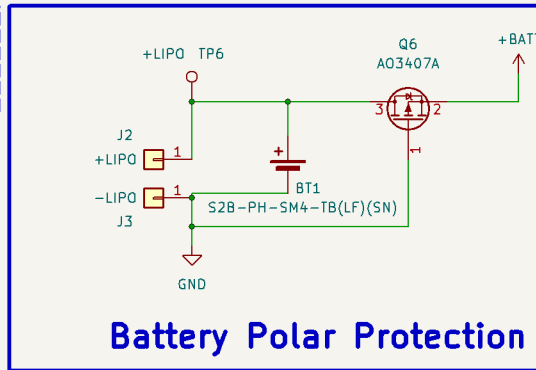
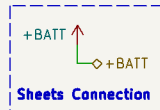
**Title: Sensor**

Size: A4 | Date: 2024-02-01

KiCad E.D.A. kicad 7.0.5

**Rev: 4**

Id: 6/8



**Teapot Laboratories**

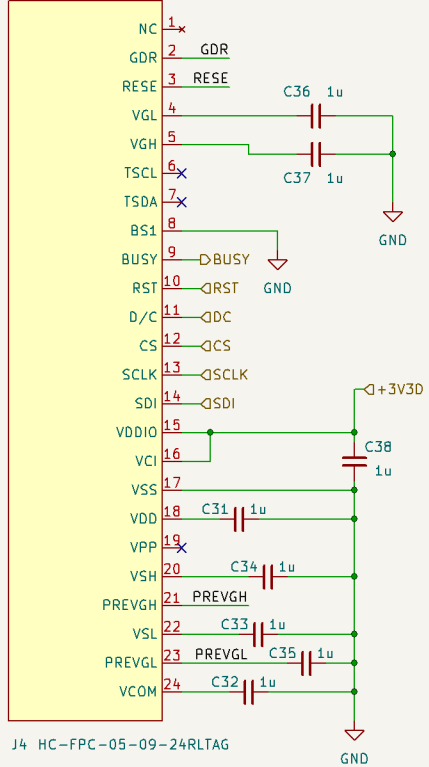
Sheet: /Battery/  
File: battery.kicad\_sch

**Title: Battery**

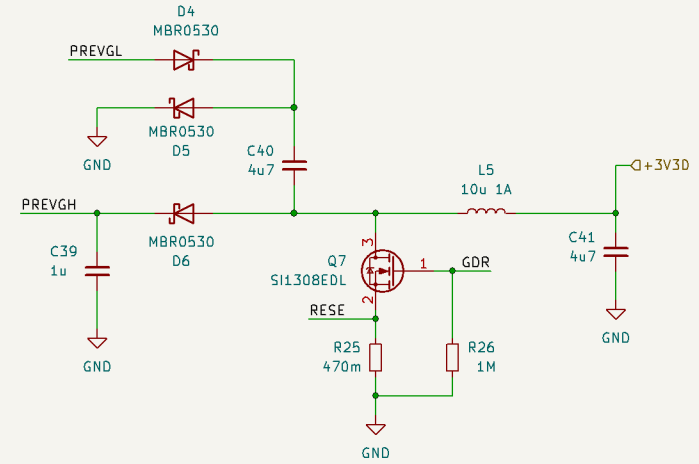
Size: A5 Date: 2024-02-01  
KiCad E.D.A. kicad 7.0.5

Rev: 4  
Id: 7/8

Display  
 Manufacturer: Good Display  
 Part Number: GDEY0154D67  
 Alternative Part Number: GDEW0154M10



J4 HC-FPC-05-09-24RLTAG



## E-Paper Display

<b>Teapot Laboratories</b>	
Sheet: /Display/	
File: display.kicad_sch	
<b>Title: Display</b>	
Size: A5	Date: 2024-02-01
KiCad E.D.A. kicad 7.0.5	Rev: 4
	Id: 8/8