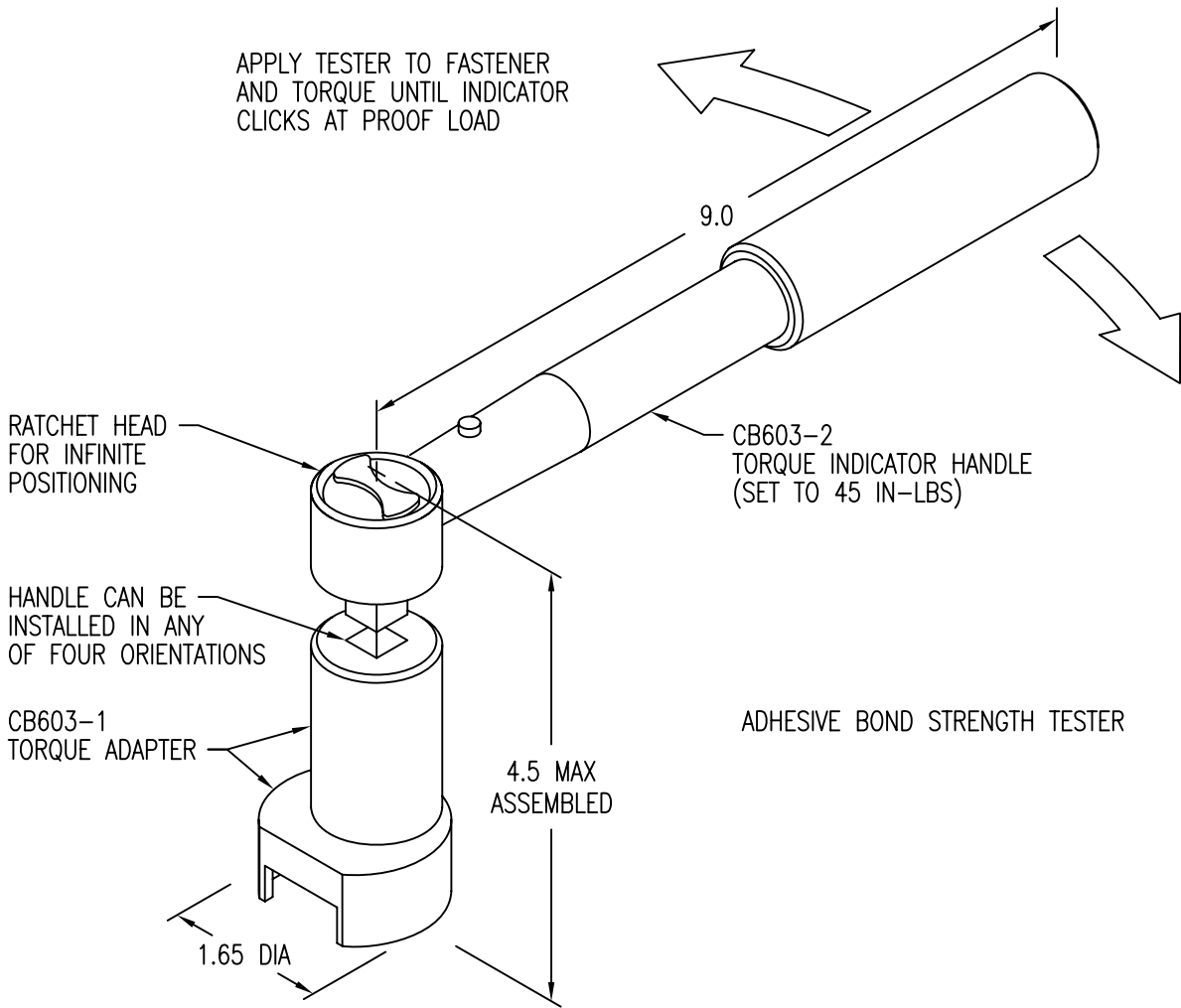
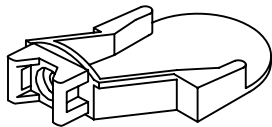


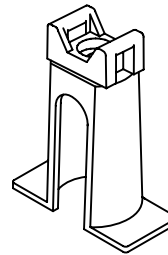
APPLY TESTER TO FASTENER
AND TORQUE UNTIL INDICATOR
CLICKS AT PROOF LOAD



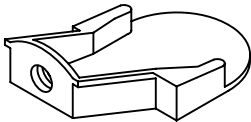
USE TO TEST THE ADHESIVE BOND STRENGTH OF THE FOLLOWING FASTENERS:



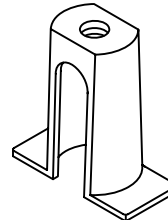
CB4020
RIGHT ANGLE
CABLE TIE MOUNT



CB4021
STANDOFF
CABLE TIE MOUNT



CB4022
RIGHT ANGLE
NUTPLATE



CB4023
STANDOFF
NUTPLATE

UNLESS OTHERWISE SPECIFIED, ALL DIMENSIONS ARE IN INCHES AND TOLERANCES ARE AS SHOWN BELOW. DIMENSIONAL TOLERANCES AND SYMBOLS PER ANSI Y14.5M-1982.

PROPRIETARY PARTS SHOWN IN THIS DRAWING ARE THE SUBJECT OF ISSUED UNITED STATES AND FOREIGN PATENTS AND PATENTS PENDING. UNAUTHORIZED REPRODUCTION AND/OR DISTRIBUTION OF THIS DRAWING IS SPECIFICALLY PROHIBITED.

CLICK BOND

CARSON CITY
NEVADA 89706

		APPROVALS	DATE	TITLE			
ANGLES	±1°	DRAWN	RJT	TESTER, ADHESIVE BOND STRENGTH			
.XX	±.03	CHECKED	<i>JAC</i>	SIZE	CAGE CODE	DWG. NO.	REV.
.XXX	±.010	RELEASED	<i>ABC</i>	A	66530	CB603	5
.XXXX	±.001	REVISED	RJT	SCALE	1/2	31DEC07	SHEET 1 OF 1