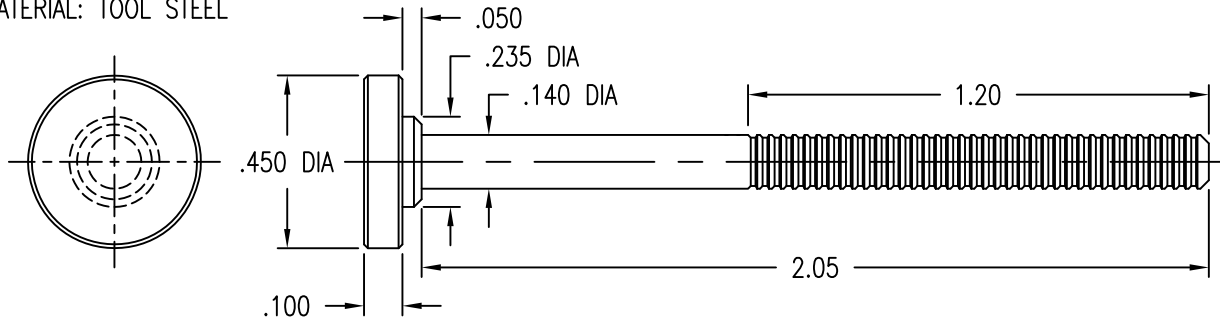
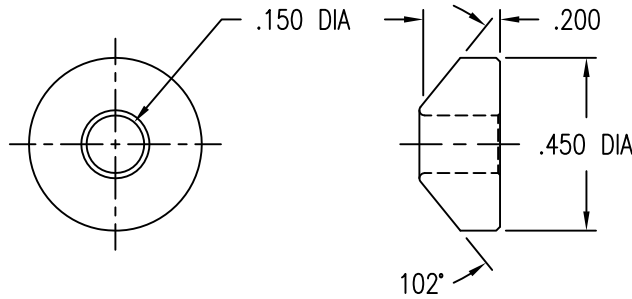


CB124-2 PULL STEM ONLY
MATERIAL: TOOL STEEL

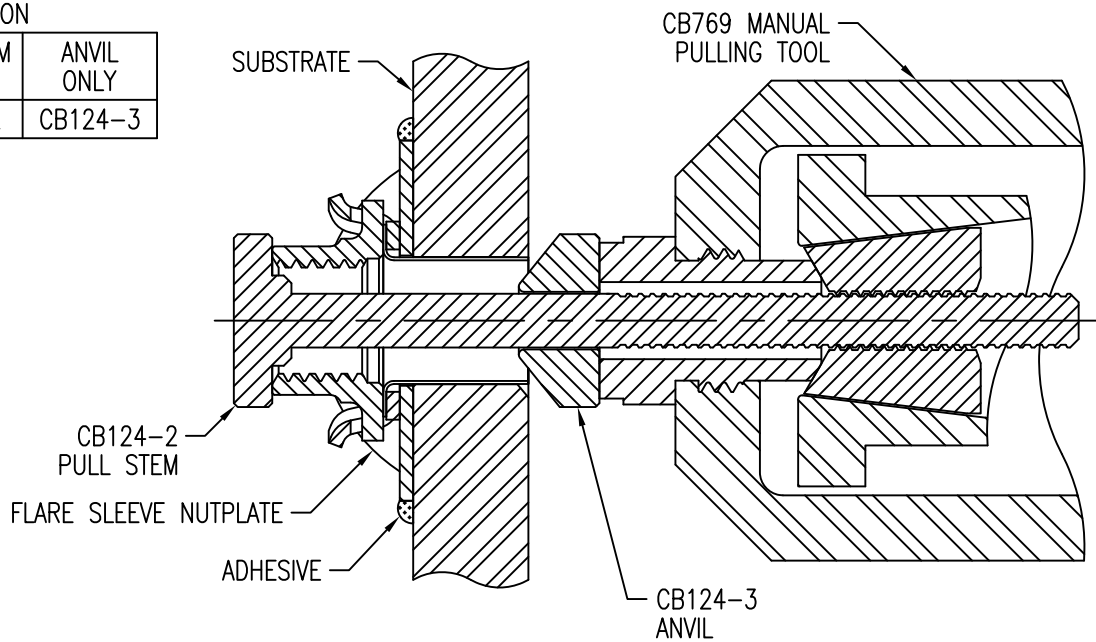


CB124-3 ANVIL ONLY
MATERIAL: TOOL STEEL



PART NUMBER DESIGNATION

| | | |
|----------------------|----------------|------------|
| PULL STEM WITH ANVIL | PULL STEM ONLY | ANVIL ONLY |
| CB124-1 | CB124-2 | CB124-3 |



EXAMPLE PART NUMBER

CB124-1

PART DESIGNATION - PULL STEM & ANVIL ASSEMBLY
BASIC PART NUMBER

UNLESS OTHERWISE SPECIFIED, ALL DIMENSIONS ARE IN INCHES AND TOLERANCES ARE AS SHOWN BELOW. DIMENSIONAL TOLERANCES AND SYMBOLS PER ANSI Y14.5M-1982.

PROPRIETARY PARTS SHOWN IN THIS DRAWING ARE THE SUBJECT OF ISSUED UNITED STATES AND FOREIGN PATENTS AND PATENTS PENDING. UNAUTHORIZED REPRODUCTION AND/OR DISTRIBUTION OF THIS DRAWING IS SPECIFICALLY PROHIBITED.

CLICK BOND

CARSON CITY
NEVADA 89706

| | | APPROVALS | DATE |
|--------|-------|-----------------------------|---------|
| ANGLES | ±1° | DRAWN RJT | 19AUG11 |
| .XX | ±.03 | CHECKED <i>[Signature]</i> | 22AUG11 |
| .XXX | ±.010 | RELEASED <i>[Signature]</i> | 23AUG11 |
| .XXXX | ±.001 | REVISED RJT | 19AUG11 |

| | | | |
|---------------------------------------|--------------------|-------------------|-----------|
| TITLE TOOL, FLARING, SIZE 5 SLEEVE | | | |
| SIZE A | CAGE CODE 66530 | DWG. NO. CB124 | REV. 1 |
| SCALE 2/1 | 19AUG11 | SHEET 1 OF 1 | |