

SADDLE MATERIAL AND FINISH DATA

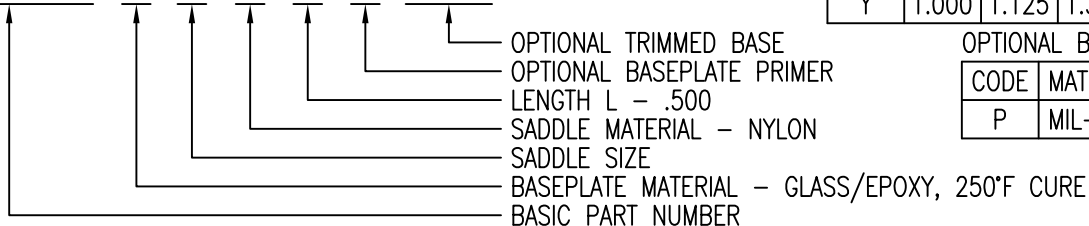
CODE	MATERIAL	SPEC.	COLOR
K	PEKK	NONE	NATURAL
N	NYLON, NATURAL	ASTM D4066, D6779, OR EQUAL	NATURAL
NB	NYLON, BLACK, STABILIZED	ASTM D4066, D6779, OR EQUAL	BLACK
NH	NYLON, HEAT STABILIZED	ASTM D4066, D6779, OR EQUAL	NATURAL
P	PEEK	NONE	NATURAL
T	TEFZEL	FLUOROPOLYMER	BLUE
V	POLYETHERIMIDE	ULTEM 1000 OR EQUAL	NATURAL
VC	CARBON/POLYETHERIMIDE	NONE	NATURAL

RIVET MATERIAL: 300 SERIES OR A-286 CRES
 RIVET FINISH: PASSIVATE PER AMS 2700

MANUFACTURER'S OPTION: 300 SERIES CRES WASHER UNDER RIVET HEAD

EXAMPLE PART NUMBER

CB4020 G 3 N 8 P 750



BASEPLATE MATERIAL

CODE	MATERIAL
C	CARBON/EPOXY, 350°F CURE
E	GLASS/EPOXY, 350°F CURE
G	GLASS/EPOXY, 250°F CURE

DIMENSION DATA

SIZE CODE	D REF	SADDLE DIMENSIONS		
		A	B	C
2	.100	.56	.34	.27
3	.190	.67	.44	.33
5	.350	.92	.56	.42

LENGTH DATA

CODE	6	8	12	16	24
L	.375	.500	.750	1.000	1.500
X	.750	.875	1.125	1.375	1.875
Y	1.000	1.125	1.375	1.625	2.125

OPTIONAL BASEPLATE PRIMER

CODE	MATERIAL SPEC.
P	MIL-PRF-85582

UNLESS OTHERWISE SPECIFIED, ALL DIMENSIONS ARE IN INCHES AND TOLERANCES ARE AS SHOWN BELOW. DIMENSIONAL TOLERANCES AND SYMBOLS PER ANSI Y14.5M-1982.

PROPRIETARY PARTS SHOWN IN THIS DRAWING ARE THE SUBJECT OF ISSUED UNITED STATES AND FOREIGN PATENTS AND PATENTS PENDING. UNAUTHORIZED REPRODUCTION AND/OR DISTRIBUTION OF THIS DRAWING IS SPECIFICALLY PROHIBITED.

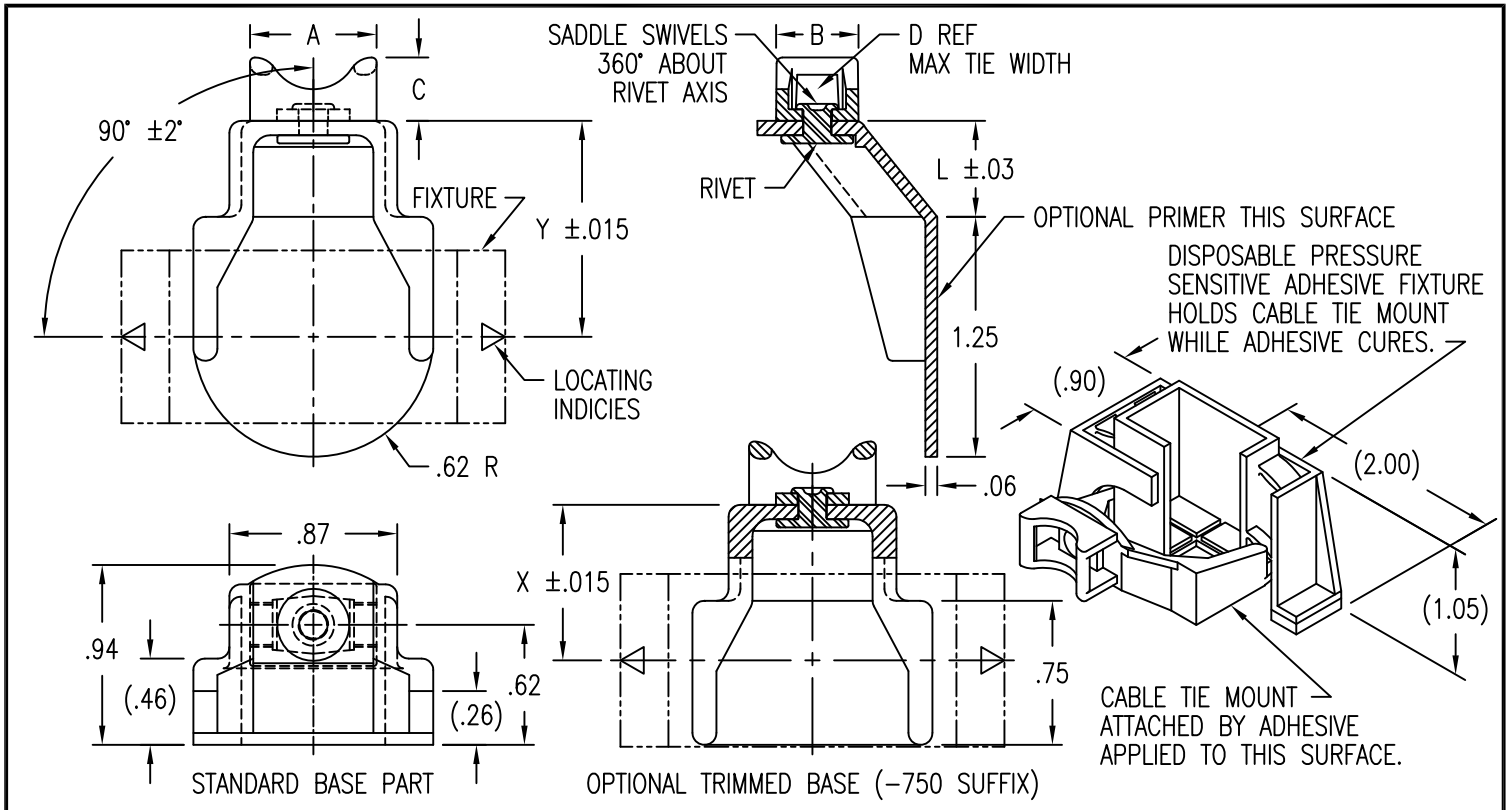


CARSON CITY
 NEVADA 89706

CAD CB4020-1

APPROVALS	DATE
DRAWN <i>DAC</i>	29MAY13
CHECKED <i>DAC/mtm</i>	29MAY13
RELEASED <i>ABC/mtm</i>	29MAY13
REVISED <i>DAC</i>	29MAY13

TITLE			
MOUNT, CABLE TIE, RIGHT ANGLE, COMPOSITE BASE			
SIZE	CAGE CODE	DWG. NO.	REV.
A	66530	CB4020	20
SCALE	1/1	29MAY13	SHEET 1 OF 2



SADDLE MATERIAL AND FINISH DATA

CODE	MATERIAL	SPEC.	COLOR
K	PEKK	NONE	NATURAL
N	NYLON, NATURAL	ASTM D4066, D6779, OR EQUAL	NATURAL
NB	NYLON, BLACK, STABILIZED	ASTM D4066, D6779, OR EQUAL	BLACK
NH	NYLON, HEAT STABILIZED	ASTM D4066, D6779, OR EQUAL	NATURAL
P	PEEK	NONE	NATURAL
T	TEFZEL	FLUOROPOLYMER	BLUE
V	POLYETHERIMIDE	ULTEM 1000 OR EQUAL	NATURAL
VC	CARBON/POLYETHERIMIDE	NONE	NATURAL

RIVET MATERIAL: 300 SERIES OR A-286 CRES
 RIVET FINISH: PASSIVATE PER AMS 2700

MANUFACTURER'S OPTION: 300 SERIES CRES WASHER UNDER RIVET HEAD

BASEPLATE MATERIAL

CODE	MATERIAL
U	30% GLASS/PEI
UC	30% CARBON/PEI
V	40% GLASS/PEI
VC	40% CARBON/PEI

DIMENSION DATA

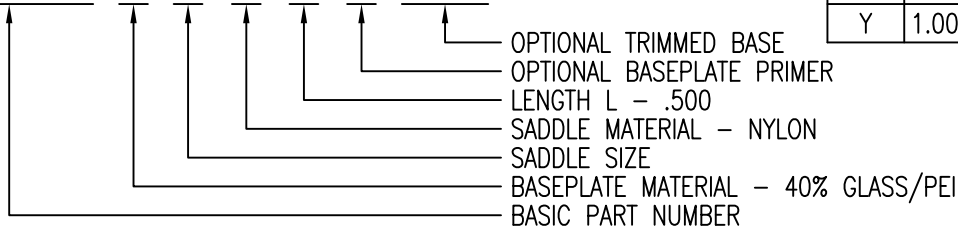
SIZE CODE	D REF	SADDLE DIMENSIONS		
		A	B	C
2	.100	.56	.34	.27
3	.190	.67	.44	.33
5	.350	.92	.56	.42

LENGTH DATA

CODE	6	8	12	16	24
L	.375	.500	.750	1.000	1.500
X	.750	.875	1.125	1.375	1.875
Y	1.000	1.125	1.375	1.625	2.125

EXAMPLE PART NUMBER

CB4020 V 3 N 8 P 750



OPTIONAL TRIMMED BASE
 OPTIONAL BASEPLATE PRIMER
 LENGTH L - .500
 SADDLE MATERIAL - NYLON
 SADDLE SIZE
 BASEPLATE MATERIAL - 40% GLASS/PEI
 BASIC PART NUMBER

OPTIONAL BASEPLATE PRIMER

CODE	MATERIAL SPEC.
P	MIL-PRF-85582

UNLESS OTHERWISE SPECIFIED, ALL DIMENSIONS ARE IN INCHES AND TOLERANCES ARE AS SHOWN BELOW. DIMENSIONAL TOLERANCES AND SYMBOLS PER ANSI Y14.5M-1982.

PROPRIETARY PARTS SHOWN IN THIS DRAWING ARE THE SUBJECT OF ISSUED UNITED STATES AND FOREIGN PATENTS AND PATENTS PENDING. UNAUTHORIZED REPRODUCTION AND/OR DISTRIBUTION OF THIS DRAWING IS SPECIFICALLY PROHIBITED.



CARSON CITY
 NEVADA 89706

CAD CB4020-2

APPROVALS	DATE
DRAWN <i>DAC</i>	29MAY13
CHECKED <i>DAC</i>	29MAY13
RELEASED <i>DAC</i>	29MAY13
REVISED <i>DAC</i>	29MAY13

TITLE			
MOUNT, CABLE TIE, RIGHT ANGLE, COMPOSITE BASE			
SIZE	CAGE CODE	DWG. NO.	REV.
A	66530	CB4020	20
SCALE	1/1	29MAY13	SHEET 2 OF 2