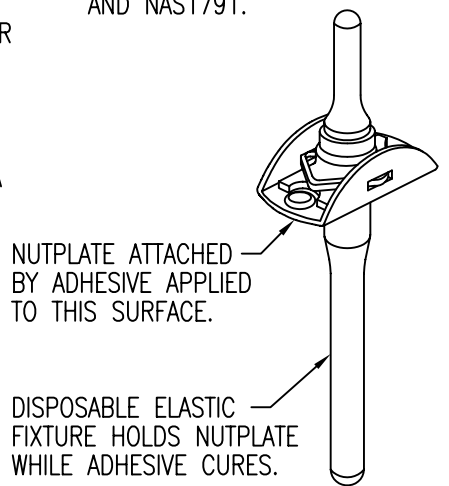


NUTPLATE MEETS THE STRENGTH REQUIREMENTS OF NASM25027 AND NAS1791.



THREAD AND DIMENSION DATA (ALL DIMENSIONS BEFORE PAINT)

PART NUMBER	THREAD T	A MAX	B MAX	D MIN	H MAX	R MIN	M MIN	N REF	LB/100 *
CB7009 CR 08-1	.1640-32 UNJC-3B	.745	.454	.224	.250	.070	.168	.035	.54
CB7009 CR 3-1	.1900-32 UNJF-3B	.745	.454	.250	.250	.070	.194	.035	.57
CB7009 CR 3-2					.312	.125			.62
CB7009 CR 3-3					.375	.188			.67
CB7009 CR 3-4					.438	.250			.74
CB7009 CR 3-5					.500	.313			.78
CB7009 CR 3-6					.562	.375			.83
CB7009 CR 4-1	.2500-28 UNJF-3B	.948	.554	.312	.295	.070	.254	.035	1.04
CB7009 CR 4-2					.357	.125			1.09
CB7009 CR 4-3					.419	.188			1.13
CB7009 CR 4-4					.481	.250			1.22
CB7009 CR 4-5					.543	.313			1.31
CB7009 CR 4-6					.605	.375			1.41
CB7009 CR 5-1	.3125-24 UNJF-3B	1.042	.650	.375	.344	.070	.317	.040	1.52
CB7009 CR 5-2					.400	.125			1.58
CB7009 CR 5-3					.461	.188			1.69
CB7009 CR 5-4					.524	.250			1.81
CB7009 CR 5-5					.586	.313			1.92
CB7009 CR 5-6					.649	.375			2.03
CB7009 CR 6-1	.3750-24 UNJF-3B	1.182	.750	.437	.380	.070	.379	.050	2.40
CB7009 CR 6-2					.430	.125			2.52
CB7009 CR 7-1	.4375-20 UNJF-3B	1.307	.840	.500	.500	.070	.442	.050	3.80
CB7009 CR 8-1	.5000-20 UNJF-3B	1.432	.900	.562	.580	.070	.504	.050	4.35

\* REFERENCE WEIGHT WITHOUT INSTALLATION FIXTURE

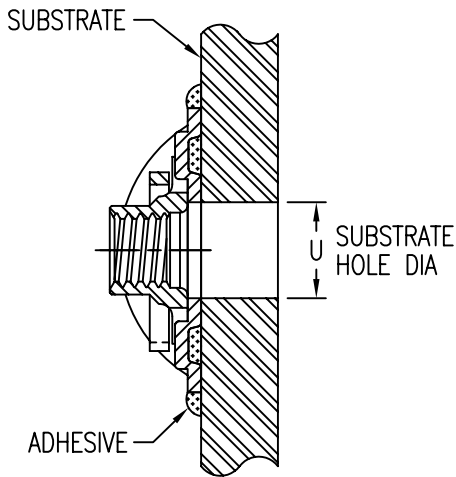
UNLESS OTHERWISE SPECIFIED, ALL DIMENSIONS ARE IN INCHES AND TOLERANCES ARE AS SHOWN BELOW. DIMENSIONAL TOLERANCES AND SYMBOLS PER ANSI Y14.5M-1982.

PROPRIETARY PARTS SHOWN IN THIS DRAWING ARE THE SUBJECT OF ISSUED UNITED STATES AND FOREIGN PATENTS AND PATENTS PENDING. UNAUTHORIZED REPRODUCTION AND/OR DISTRIBUTION OF THIS DRAWING IS SPECIFICALLY PROHIBITED.



CARSON CITY NEVADA 89706

CAD CB7009-1		APPROVALS		DATE	TITLE				
ANGLES	±1°	DRAWN	BPEREZ	26JUN03	NUTPLATE, TWO LUG, HIGH REUSE				
.XX	±.03	CHECKED	DOC/John	26JUN03	SIZE	CAGE CODE	DWG. NO.	REV.	
.XXX	±.010	RELEASED	CGH	1JUL03	A	66530	CB7009	9	
.XXXX	±.001	REVISED	BPEREZ	26JUN03	SCALE	2/1	26JUN03	SHEET	1 OF 2



INSTALLATION HOLE SIZE AND REPLACEMENT COMPONENTS

THREAD SIZE CODE	U MAX	NUT PART NO. *	CLIP PART NO.
08	.224	CB7001CR08-1	CB7002-3
3	.250	CB7001CR3-( )	
4	.312	CB7001CR4-( )	CB7002-4
5	.375	CB7001CR5-( )	CB7002-5
6	.437	CB7001CR6-( )	CB7002-6
7	.500	CB7001CR7-1	CB7002-7
8	.562	CB7001CR8-1	CB7002-8

\* ( ) DASH NUMBER SAME AS NUTPLATE THREAD RELIEF CODE.

MATERIAL AND FINISH DATA:

MATERIAL: BASEPLATE: A-286 CRES PER AMS 5525  
 NUT ELEMENT: A-286 CRES (SEE CB7001)  
 CLIP: 302 CRES OR ARMCO 18-2MN CRES (SEE CB7002)

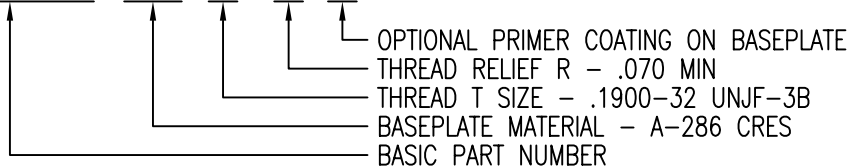
FINISH: BASEPLATE: PASSIVATE PER QQ-P-35  
 P CODE - EPOXY PRIMER COATING PER MIL-P-85582  
 NUT ELEMENT: PASSIVATE, PLATE, AND DRI-FILM LUBE (SEE CB7001)  
 CLIP: PASSIVATE PER QQ-P-35 (SEE CB7002)

SPECIFICATION REQUIREMENTS WHERE APPLICABLE:

NUTPLATE MEETS THE STRENGTH AND REUSE REQUIREMENTS OF NASM25027 AND NAS1791.

EXAMPLE PART NUMBER

CB7009 CR 3-1 P



UNLESS OTHERWISE SPECIFIED, ALL DIMENSIONS ARE IN INCHES AND TOLERANCES ARE AS SHOWN BELOW. DIMENSIONAL TOLERANCES AND SYMBOLS PER ANSI Y14.5M-1982.

PROPRIETARY PARTS SHOWN IN THIS DRAWING ARE THE SUBJECT OF ISSUED UNITED STATES AND FOREIGN PATENTS AND PATENTS PENDING. UNAUTHORIZED REPRODUCTION AND/OR DISTRIBUTION OF THIS DRAWING IS SPECIFICALLY PROHIBITED.

**GLICK BOND**

CARSON CITY  
 NEVADA 89706

CAD CB7009-2		APPROVALS	DATE	TITLE			
ANGLES	±1°	DRAWN	BPerez	NUTPLATE, TWO LUG, HIGH REUSE			
.XX	±.03	CHECKED	DOC/mt	SIZE	CAGE CODE	DWG. NO.	REV.
.XXX	±.010	RELEASED	CGH	A	66530	CB7009	9
.XXXX	±.001	REVISED	BPerez	SCALE	2/1	26JUN03	SHEET 2 OF 2