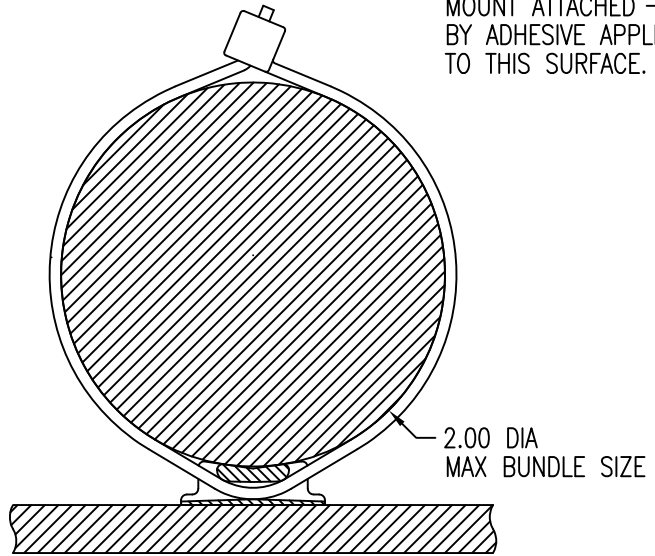


TYPICAL APPLICATION  
(SMALL WIRE BUNDLE)



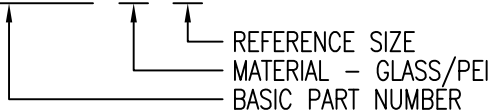
TYPICAL APPLICATION  
(LARGE WIRE BUNDLE)

MATERIAL, FINISH, AND APPROX. WEIGHT DATA

CODE	MATERIAL	FINISH	APPROX. WEIGHT
V	40% GLASS REINFORCED POLYETHERIMIDE (ULTEM 2400 OR EQUAL)	ABRASIVE CLEAN	.46 LB/100
VC	20% CARBON REINFORCED POLYETHERIMIDE (RTP 2199 X 126083)	ABRASIVE CLEAN	.39 LB/100

EXAMPLE PART NUMBER

CB9120 V 5



NOTES:

1. FOR USE WITH INTERMEDIATE, STANDARD, LIGHT HEAVY, AND HEAVY CABLE TIE STRAPS
2. APPROX. WEIGHT EXCLUDES THE WEIGHT OF THE DISPOSABLE INSTALLATION FIXTURE

UNLESS OTHERWISE SPECIFIED, ALL DIMENSIONS ARE IN INCHES AND TOLERANCES ARE AS SHOWN BELOW. DIMENSIONAL TOLERANCES AND SYMBOLS PER ANSI Y14.5M-1982.

PROPRIETARY PARTS SHOWN IN THIS DRAWING ARE THE SUBJECT OF ISSUED UNITED STATES AND FOREIGN PATENTS AND PATENTS PENDING. UNAUTHORIZED REPRODUCTION AND/OR DISTRIBUTION OF THIS DRAWING IS SPECIFICALLY PROHIBITED.

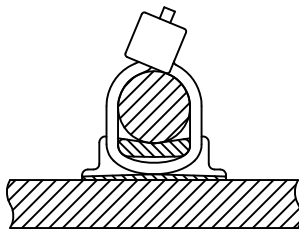
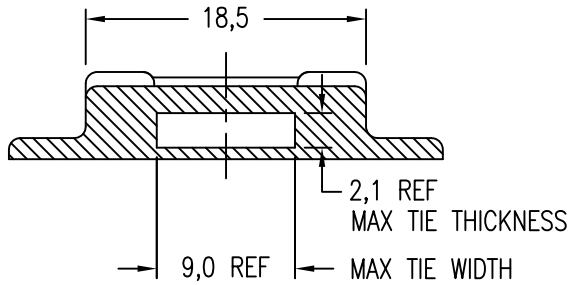
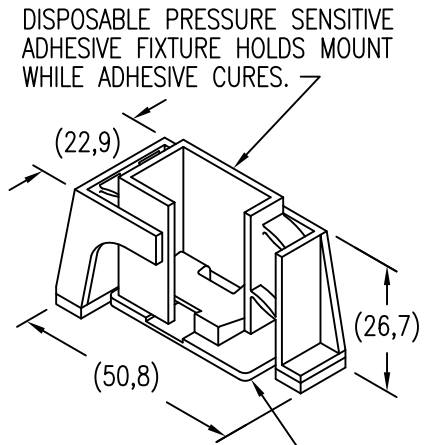
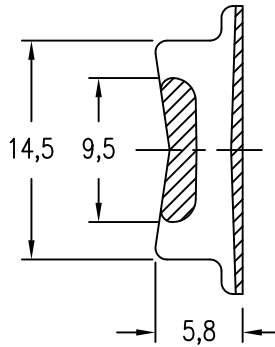
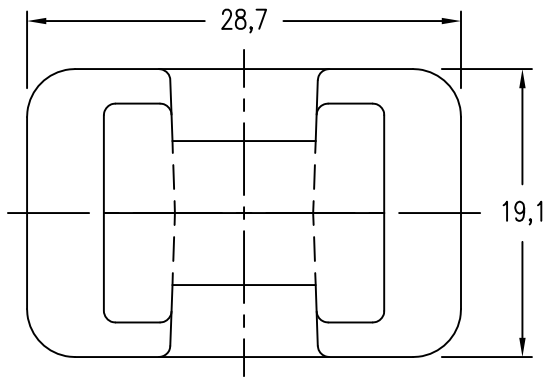
**CLICK BOND**

CARSON CITY  
NEVADA 89706

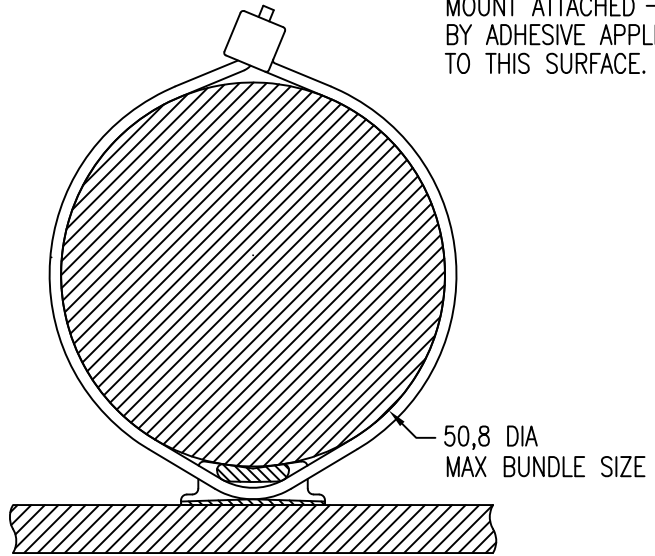
CAD CB9120-1

APPROVALS	DATE
DRAWN <i>DAC</i>	7FEB13
CHECKED <i>DAC</i>	7FEB13
RELEASED <i>DAC</i>	7FEB13
REVISED <i>DAC</i>	7FEB13

TITLE			
MOUNT, CABLE TIE ANCHOR			
SIZE	CAGE CODE	DWG. NO.	REV.
A	66530	CB9120	6
SCALE	2/1		7FEB13
SHEET 1 OF 2			



TYPICAL APPLICATION  
(SMALL WIRE BUNDLE)



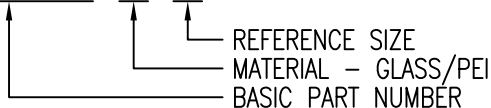
TYPICAL APPLICATION  
(LARGE WIRE BUNDLE)

MATERIAL, FINISH, AND APPROX. WEIGHT DATA

CODE	MATERIAL	FINISH	APPROX. WEIGHT
V	40% GLASS REINFORCED POLYETHERIMIDE (ULTEM 2400 OR EQUAL)	ABRASIVE CLEAN	2,1 GRAMS
VC	20% CARBON REINFORCED POLYETHERIMIDE (RTP 2199 X 126083)	ABRASIVE CLEAN	1,8 GRAMS

EXAMPLE PART NUMBER

CB9120 V 5



NOTES:

1. FOR USE WITH INTERMEDIATE, STANDARD, LIGHT HEAVY, AND HEAVY CABLE TIE STRAPS
2. APPROX. WEIGHT EXCLUDES THE WEIGHT OF THE DISPOSABLE INSTALLATION FIXTURE

UNLESS OTHERWISE SPECIFIED, ALL DIMENSIONS ARE IN MILLIMETERS AND TOLERANCES ARE AS SHOWN BELOW. DIMENSIONAL TOLERANCES AND SYMBOLS PER ANSI Y14.5M-1982.

PROPRIETARY PARTS SHOWN IN THIS DRAWING ARE THE SUBJECT OF ISSUED UNITED STATES AND FOREIGN PATENTS AND PATENTS PENDING. UNAUTHORIZED REPRODUCTION AND/OR DISTRIBUTION OF THIS DRAWING IS SPECIFICALLY PROHIBITED.

**CLICK BOND**

CARSON CITY  
NEVADA 89706

CAD CB9120-2 METRIC DIMENSIONS	
ANGLES	±1°
.X	±0,8
.XX	±0,25

APPROVALS	DATE
DRAWN <i>DAC</i>	7FEB13
CHECKED <i>DAC</i>	7FEB13
RELEASED <i>ABC</i>	7FEB13
REVISED <i>DAC</i>	7FEB13

TITLE MOUNT, CABLE TIE ANCHOR		DWG. NO. CB9120 (METRIC)		REV. 6
SIZE A	CAGE CODE 66530	SCALE 2/1		DATE 7FEB13
SHEET 2 OF 2				