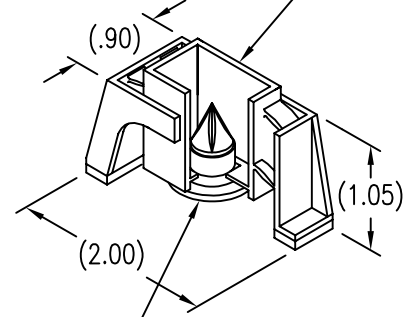
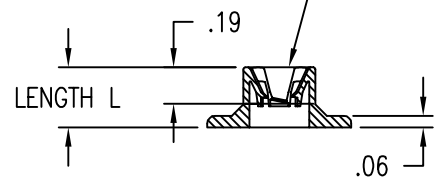


DISPOSABLE PRESSURE SENSITIVE ADHESIVE FIXTURE HOLDS RECEPTACLE WHILE ADHESIVE CURES.

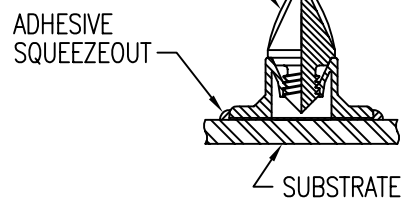


RECEPTACLE ATTACHED BY ADHESIVE APPLIED TO THIS SURFACE.

RECEPTACLE ACCEPTS CB9174 AND CB9208 BLANKET RETAINERS AND CB9194 BLANKET INSTALLATION SPEAR.



PART NUMBER WITH S SUFFIX HAS CB9194 BLANKET INSTALLATION SPEAR ATTACHED TO PUNCTURE BLANKET. REPLACE WITH CB9174 OR CB9208 RETAINER TO HOLD BLANKET IN POSITION.



TYPICAL INSTALLATION

MATERIAL DATA

CODE	MATERIAL	FINISH
V	POLYETHERIMIDE THERMOPLASTIC, 350°F	ABRASIVE CLEAN

LENGTH L DATA

CODE	LENGTH L
5	.31
7	.44
12	.75
24	1.50

CB9170 V 3-5 S

OPTIONAL CB9194 BLANKET INSTALLATION SPEAR ATTACHED
 LENGTH L IN 16THS - .31
 THREAD SIZE - .1900-32 BUTTRESS DOUBLE LEAD
 MATERIAL - POLYETHERIMIDE
 BASIC PART NUMBER

UNLESS OTHERWISE SPECIFIED, ALL DIMENSIONS ARE IN INCHES AND TOLERANCES ARE AS SHOWN BELOW. DIMENSIONAL TOLERANCES AND SYMBOLS PER ANSI Y14.5M-1982.

PROPRIETARY PARTS SHOWN IN THIS DRAWING ARE THE SUBJECT OF ISSUED UNITED STATES AND FOREIGN PATENTS AND PATENTS PENDING. UNAUTHORIZED REPRODUCTION AND/OR DISTRIBUTION OF THIS DRAWING IS SPECIFICALLY PROHIBITED.



CARSON CITY
NEVADA 89706

		APPROVALS	DATE
ANGLES	±1°	DRAWN BSP	5MAR01
.XX	±.03	CHECKED DAC	5MAR01
.XXX	±.010	RELEASED CGH	5MAR01
.XXXX	±.001	REVISED	

TITLE			
RECEPTACLE, INSULATION BLANKET MOUNT			
SIZE	CAGE CODE	DWG. NO.	REV.
A	66530	CB9170	0
SCALE	1/1	5MAR01	SHEET 1 OF 1