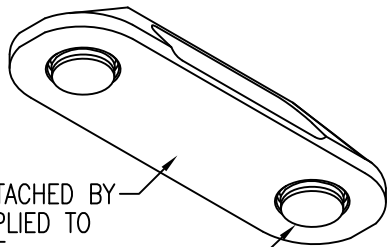


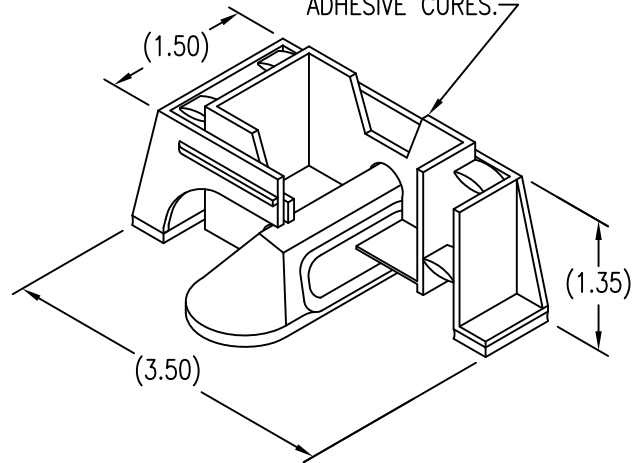
OPTIONAL INTERNAL FIXTURES SUPPLIED IN LIEU OF EXTERNAL FIXTURE ON PARTS WITH F SUFFIX TO PART NUMBER.



FASTENER ATTACHED BY ADHESIVE APPLIED TO THIS SURFACE.

INSTALLATION FIXTURES HOLD MOUNT WHILE ADHESIVE CURES.

DISPOSABLE PRESSURE SENSITIVE ADHESIVE FIXTURE HOLDS FASTENER WHILE ADHESIVE CURES.



MATERIAL AND FINISH DATA

CODE	MATERIAL	FINISH
V	GLASS/POLYETHERIMIDE	ABRASIVE CLEAN
VB	GLASS/POLYETHERIMIDE, BLACK	ABRASIVE CLEAN

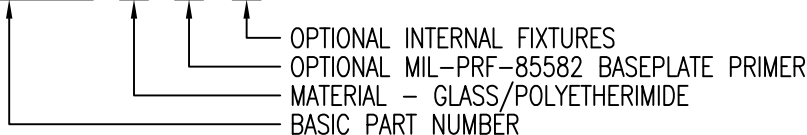
APPROX. WEIGHT DATA

PART NUMBER	FIXTURE	APPROX. WEIGHT (LBS/100)
CB9205V()	DISPOSABLE	4.20
CB9205V() F	INTERNAL	4.27

NOTE: APPROX. WEIGHT EXCLUDES THE WEIGHT OF THE ADHESIVE AND THE DISPOSABLE FIXTURE (IF APPLICABLE)

EXAMPLE PART NUMBER

CB9205 V P F



UNLESS OTHERWISE SPECIFIED, ALL DIMENSIONS ARE IN INCHES AND TOLERANCES ARE AS SHOWN BELOW. DIMENSIONAL TOLERANCES AND SYMBOLS PER ANSI Y14.5M-1982.

PROPRIETARY PARTS SHOWN IN THIS DRAWING ARE THE SUBJECT OF ISSUED UNITED STATES AND FOREIGN PATENTS AND PATENTS PENDING. UNAUTHORIZED REPRODUCTION AND/OR DISTRIBUTION OF THIS DRAWING IS SPECIFICALLY PROHIBITED.

CLICK BOND

CARSON CITY
NEVADA 89706

		APPROVALS	DATE
ANGLES	±1°	DRAWN <i>DAC</i>	21OCT14
.XX	±.03	CHECKED <i>DAC/mtm</i>	21OCT14
.XXX	±.010	RELEASED <i>ABC/mtm</i>	21OCT14
.XXXX	±.001	REVISED <i>DAC</i>	21OCT14

TITLE			
LOOP, STRAP FASTENER			
SIZE	CAGE CODE	DWG. NO.	REV.
A	66530	CB9205	6
SCALE	1/1		21OCT14
			SHEET 1 OF 1