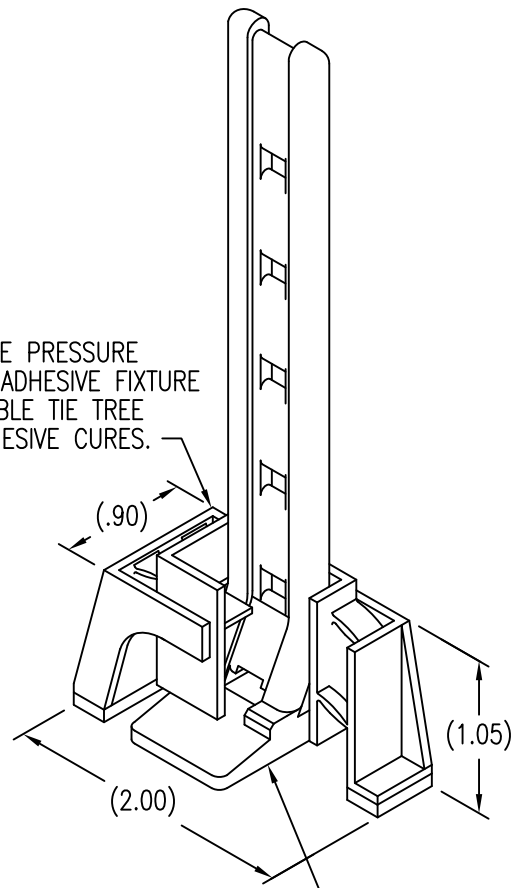


DISPOSABLE PRESSURE SENSITIVE ADHESIVE FIXTURE HOLDS CABLE TIE TREE WHILE ADHESIVE CURES.



CABLE TIE TREE ATTACHED BY ADHESIVE APPLIED TO THIS SURFACE.

MATERIAL AND FINISH DATA

CODE	MATERIAL	FINISH
V	40% GLASS REINFORCED POLYETHERIMIDE (ULTEM 2400 OR EQUAL)	ABRASIVE CLEAN
VC	20% CARBON REINFORCED POLYETHERIMIDE (ULTEM 7201, RTP 2183LF, RTP 2199, OR EQUAL)	ABRASIVE CLEAN
VCE	20% CARBON REINFORCED POLYETHERIMIDE (RTP 2199 X 126083)	ABRASIVE CLEAN

LENGTH L DATA

CODE	L	N
1	1.02	1
2	1.75	2
3	2.48	3
4	3.21	4
5	3.94	5
NONE	4.68	6

N = NUMBER OF MOUNTING LOCATIONS

EXAMPLE PART NUMBER

CB9257 V 3

↑ LENGTH L - 2.48 (3 MOUNTING LOCATIONS)  
 ↑ MATERIAL - GLASS/PEI  
 ↑ BASIC PART NUMBER

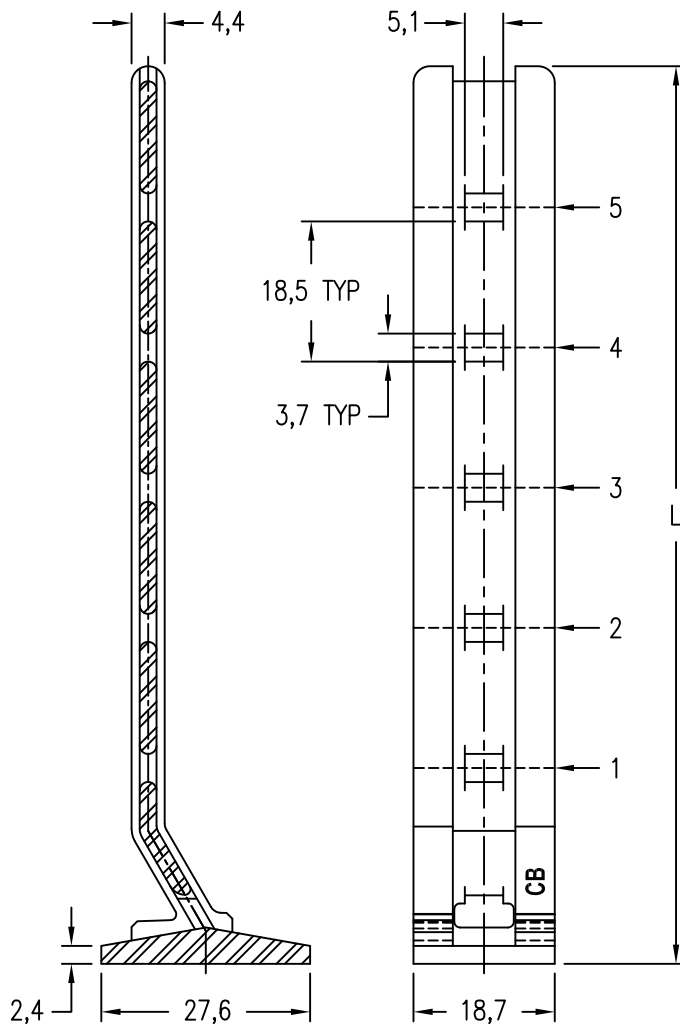
UNLESS OTHERWISE SPECIFIED, ALL DIMENSIONS ARE IN INCHES AND TOLERANCES ARE AS SHOWN BELOW. DIMENSIONAL TOLERANCES AND SYMBOLS PER ANSI Y14.5M-1982.

PROPRIETARY PARTS SHOWN IN THIS DRAWING ARE THE SUBJECT OF ISSUED UNITED STATES AND FOREIGN PATENTS AND PATENTS PENDING. UNAUTHORIZED REPRODUCTION AND/OR DISTRIBUTION OF THIS DRAWING IS SPECIFICALLY PROHIBITED.

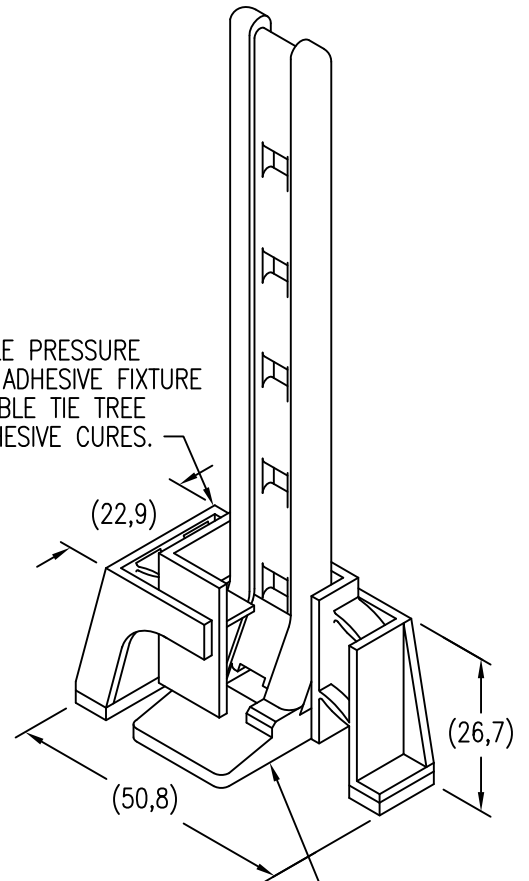


CARSON CITY NEVADA 89706

CAD CB9257-1		APPROVALS		DATE	TITLE		
ANGLES	±1°	DRAWN	DAC	9NOV12	CABLE TIE TREE		
.XX	±.03	CHECKED	DAC	9NOV12	SIZE	CAGE CODE	DWG. NO.
.XXX	±.010	RELEASED	DAC	9NOV12	A	66530	CB9257
.XXXX	±.001	REVISED	DAC	9NOV12	SCALE	1/1	9NOV12
							SHEET 1 OF 2
							REV. 4



DISPOSABLE PRESSURE SENSITIVE ADHESIVE FIXTURE HOLDS CABLE TIE TREE WHILE ADHESIVE CURES.



CABLE TIE TREE ATTACHED BY ADHESIVE APPLIED TO THIS SURFACE.

MATERIAL AND FINISH DATA

CODE	MATERIAL	FINISH
V	40% GLASS REINFORCED POLYETHERIMIDE (ULTEM 2400 OR EQUAL)	ABRASIVE CLEAN
VC	20% CARBON REINFORCED POLYETHERIMIDE (ULTEM 7201, RTP 2183LF, RTP 2199, OR EQUAL)	ABRASIVE CLEAN
VCE	20% CARBON REINFORCED POLYETHERIMIDE (RTP 2199 X 126083)	ABRASIVE CLEAN

LENGTH L DATA

CODE	L	N
1	25,9	1
2	44,5	2
3	63,0	3
4	81,5	4
5	100,1	5
NONE	118,9	6

N = NUMBER OF MOUNTING LOCATIONS

EXAMPLE PART NUMBER

CB9257 V 3

LENGTH L - 63,0 (3 MOUNTING LOCATIONS)  
 MATERIAL - GLASS/PEI  
 BASIC PART NUMBER

UNLESS OTHERWISE SPECIFIED, ALL DIMENSIONS ARE IN MILLIMETERS AND TOLERANCES ARE AS SHOWN BELOW. DIMENSIONAL TOLERANCES AND SYMBOLS PER ANSI Y14.5M-1982.

PROPRIETARY PARTS SHOWN IN THIS DRAWING ARE THE SUBJECT OF ISSUED UNITED STATES AND FOREIGN PATENTS AND PATENTS PENDING. UNAUTHORIZED REPRODUCTION AND/OR DISTRIBUTION OF THIS DRAWING IS SPECIFICALLY PROHIBITED.

**CLICK BOND**

CARSON CITY  
NEVADA 89706

CAD CB9257-2  
METRIC DIMENSIONS

ANGLES	±1°
.X	±0,8
.XX	±0,25

APPROVALS	DATE
DRAWN <i>DAC</i>	9NOV12
CHECKED <i>DAC</i>	9NOV12
RELEASED <i>ABC</i>	9NOV12
REVISED <i>DAC</i>	9NOV12

TITLE CABLE TIE TREE			
SIZE A	CAGE CODE 66530	DWG. NO. CB9257 (METRIC)	REV. 4
SCALE 1/1	9NOV12	SHEET 2 OF 2	