

LENGTH L DATA (LENGTH CODE IN SIXTEENTHS OF AN INCH)

CODE	5	6	7	8	9	10	11	12	13	14	15	16	17
L	.312	.375	.437	.500	.562	.625	.687	.750	.812	.875	.937	1.000	1.062
D MIN	.156	.187	.250				.375						

BASEPLATE MATERIAL AND FINISH

CODE	MATERIAL	FINISH
AX	ALUMINUM	NONE
AA	ALUMINUM	ANODIZED
CR	300 SERIES CRES	PASSIVATE
CRM	316 CRES	PASSIVATE
C	CARBON/EPOXY	NONE
G	GLASS/EPOXY	NONE

THREAD AND DIMENSION DATA

CODE	THREAD SIZE	A MAX
440	.112-40 UNC-2B	.217
632	.138-32 UNC-2B	.285
832	.164-32 UNC-2B	
1032	.190-32 UNF-2B	.380
1420	.250-20 UNC-2B	

STANDOFF MATERIAL AND FINISH

CODE	MATERIAL	FINISH
AX	ALUMINUM	NONE
CR	300 SERIES CRES	PASSIVATE
CRM	316 CRES	PASSIVATE

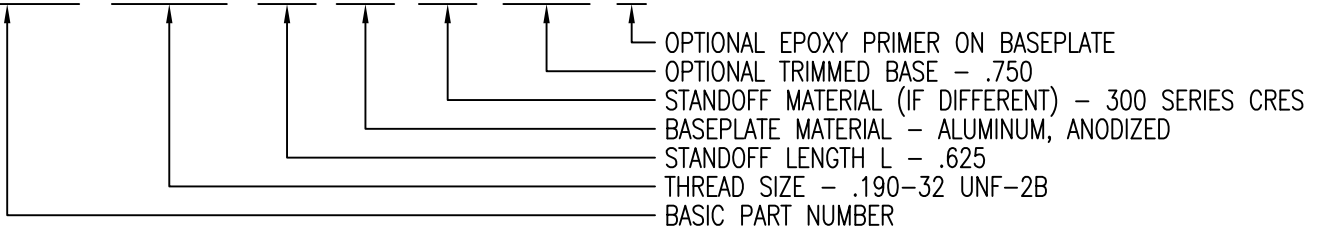
OPTIONAL BASEPLATE PRIMER

CODE	PRIMER
P	EPOXY PRIMER

NOTE: COMPOSITE BASE STANDOFF BASE THICKNESS IS .110 MAX.

EXAMPLE PART NUMBER

CN125-1032-10 AA CR 750 P



UNLESS OTHERWISE SPECIFIED, ALL DIMENSIONS ARE IN INCHES AND TOLERANCES ARE AS SHOWN BELOW. DIMENSIONAL TOLERANCES AND SYMBOLS PER ANSI Y14.5M-1982.

PROPRIETARY PARTS SHOWN IN THIS DRAWING ARE THE SUBJECT OF ISSUED UNITED STATES AND FOREIGN PATENTS AND PATENTS PENDING. UNAUTHORIZED REPRODUCTION AND/OR DISTRIBUTION OF THIS DRAWING IS SPECIFICALLY PROHIBITED.

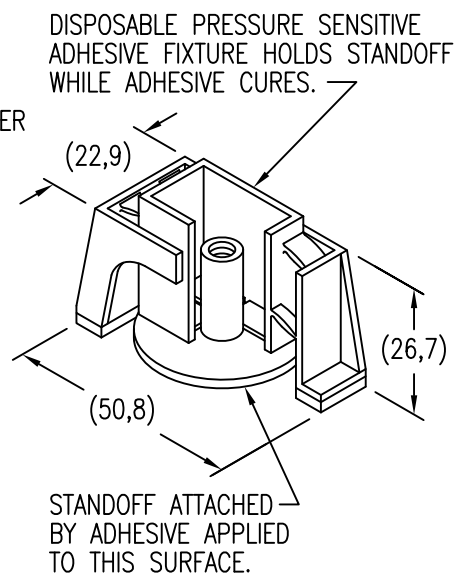
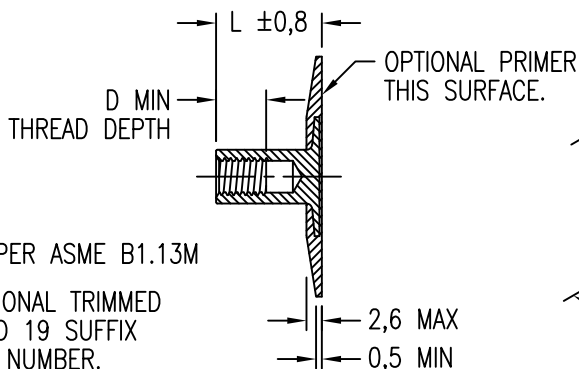
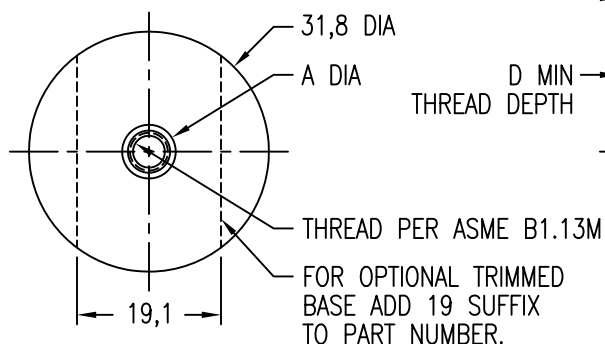
CLICK BOND

CARSON CITY
NEVADA 89706

CAD CN125-1

APPROVALS	DATE
DRAWN <i>DAC</i>	16MAY13
CHECKED <i>DAC</i>	16MAY13
RELEASED <i>ABC</i>	16MAY13
REVISED <i>DAC</i>	16MAY13

TITLE			
STANDOFF, ADHESIVE BONDED			
SIZE	CAGE CODE	DWG. NO.	REV.
A	66530	CN125	13
SCALE	1/1	16MAY13	SHEET 1 OF 2



LENGTH L DATA (LENGTH CODE IN MILLIMETERS)

CODE	8M	10M	12M	14M	16M	18M	20M	22M	25M
L	8	10	12	14	16	18	20	22	25
D MIN	4,0	5,0	6,5	9,5					

BASEPLATE MATERIAL AND FINISH

CODE	MATERIAL	FINISH
AX	ALUMINUM	NONE
AA	ALUMINUM	ANODIZED
CR	300 SERIES CRES	PASSIVATE
CRM	316 CRES	PASSIVATE
C	CARBON/EPOXY	NONE
G	GLASS/EPOXY	NONE

THREAD AND DIMENSION DATA

CODE	THREAD SIZE	A MAX
3M	M3 X 0,5 6H	4,35
4M	M4 X 0,7 6H	7,25
5M	M5 X 0,8 6H	
6M	M6 X 1,0 6H	9,65

STANDOFF MATERIAL AND FINISH

CODE	MATERIAL	FINISH
AX	ALUMINUM	NONE
CR	300 SERIES CRES	PASSIVATE
CRM	316 CRES	PASSIVATE

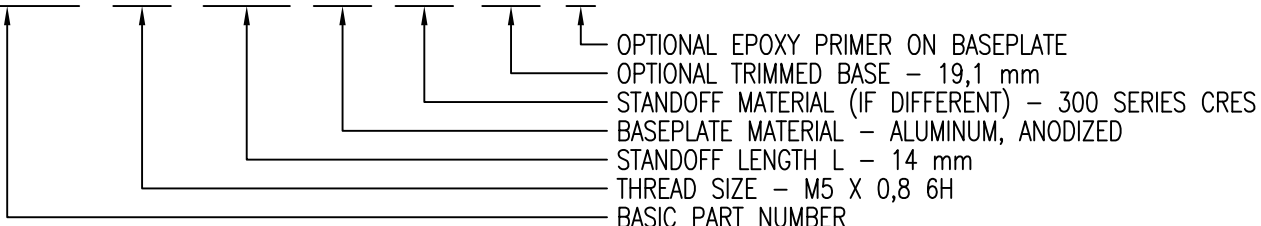
OPTIONAL BASEPLATE PRIMER

CODE	PRIMER
P	EPOXY PRIMER

NOTE: COMPOSITE BASE STANDOFF BASE THICKNESS IS 2,8 MAX.

EXAMPLE PART NUMBER

CN125-5M 14M AA CR 19 P



UNLESS OTHERWISE SPECIFIED, ALL DIMENSIONS ARE IN MILLIMETERS AND TOLERANCES ARE AS SHOWN BELOW. DIMENSIONAL TOLERANCES AND SYMBOLS PER ANSI Y14.5M-1982.

PROPRIETARY PARTS SHOWN IN THIS DRAWING ARE THE SUBJECT OF ISSUED UNITED STATES AND FOREIGN PATENTS AND PATENTS PENDING. UNAUTHORIZED REPRODUCTION AND/OR DISTRIBUTION OF THIS DRAWING IS SPECIFICALLY PROHIBITED.

CLICK BOND

CARSON CITY
NEVADA 89706

CAD CN125-2
METRIC DIMENSIONS

APPROVALS	DATE
DRAWN <i>DAC</i>	16MAY13
CHECKED <i>DAC</i>	16MAY13
RELEASED <i>DAC</i>	16MAY13
REVISED <i>DAC</i>	16MAY13

TITLE
STANDOFF, ADHESIVE BONDED

ANGLES	±1°
.X	±0,8
.XX	±0,25

SIZE	CAGE CODE	DWG. NO.	REV.
A	66530	CN125 (METRIC)	13
SCALE	1/1	16MAY13	SHEET 2 OF 2