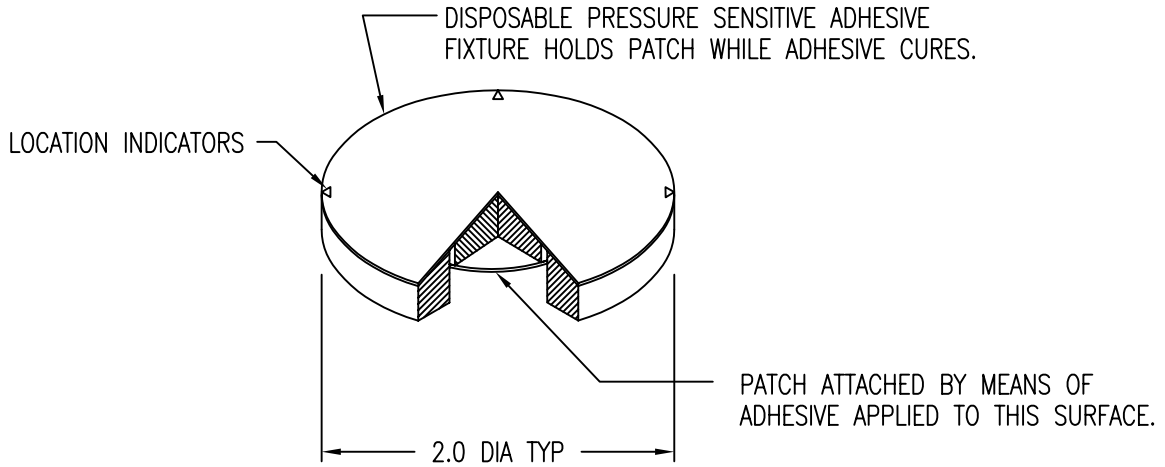
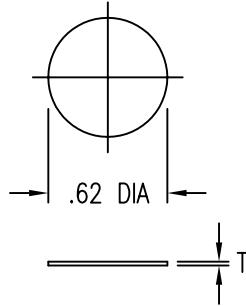


FLAT PATCH

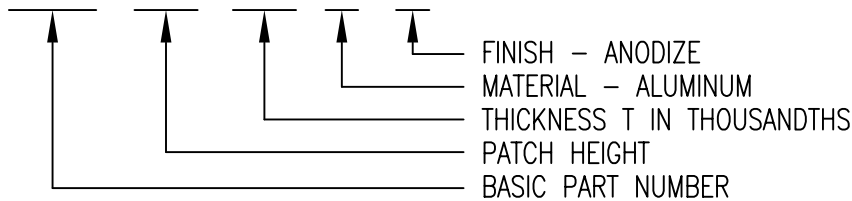


FLAT PATCHES

PART NUMBER	T	MATERIAL	FINISH
CP 62-000-005 A1A1	.005	ALUMINUM	ANODIZE
CP 62-000-015 G1	.015	FIBERGLASS	
CP 62-000-020 R1	.020	NYLON REINFORCED RUBBER	
CP 62-000-005 CR1	.005	STAINLESS STEEL 300 SERIES	
CP 62-000-005 T1	.005	TITANIUM	
CP 62-000-015 C1	.015	GRAPHITE/EPOXY	
CP 62-000-030 C1	.030	GRAPHITE/EPOXY	

EXAMPLE PART NUMBER

CP62-000-005 A1 A1



FINISH - ANODIZE
 MATERIAL - ALUMINUM
 THICKNESS T IN THOUSANDTHS
 PATCH HEIGHT
 BASIC PART NUMBER

UNLESS OTHERWISE SPECIFIED, ALL DIMENSIONS ARE IN INCHES AND TOLERANCES ARE AS SHOWN BELOW. DIMENSIONAL TOLERANCES AND SYMBOLS PER ANSI Y14.5M-1982.

PROPRIETARY PARTS SHOWN IN THIS DRAWING ARE THE SUBJECT OF ISSUED UNITED STATES AND FOREIGN PATENTS AND PATENTS PENDING. UNAUTHORIZED REPRODUCTION AND/OR DISTRIBUTION OF THIS DRAWING IS SPECIFICALLY PROHIBITED.

GLICK BOND

CARSON CITY
 NEVADA 89706

		APPROVALS	DATE
ANGLES	±1°	DRAWN RGP	21MAY96
.XX	±.03	CHECKED DAC	21MAY96
.XXX	±.010	RELEASED CGH	24JUN96
.XXXX	±.001	REVISED	

TITLE			
PATCH, SMALL, ADHESIVE BONDED			
SIZE	CAGE CODE	DWG. NO.	REV.
A	66530	CP62	0
SCALE	1/1	21MAY96	SHEET 1 OF 1