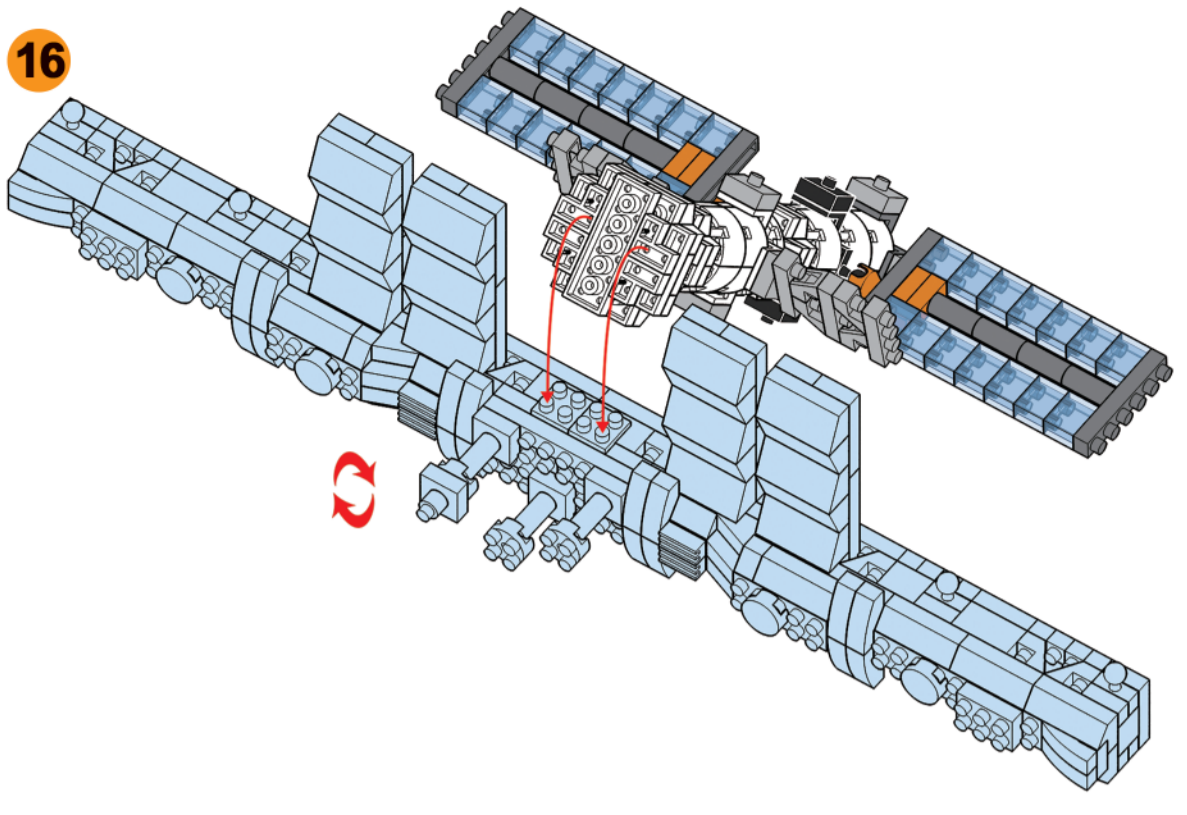
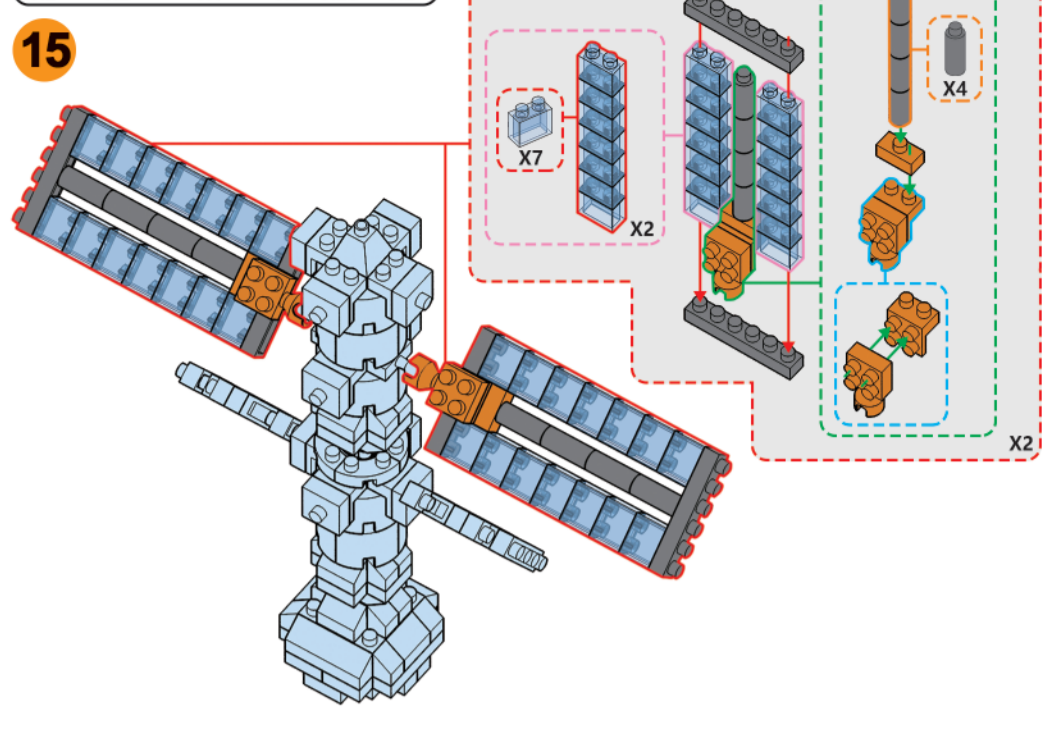
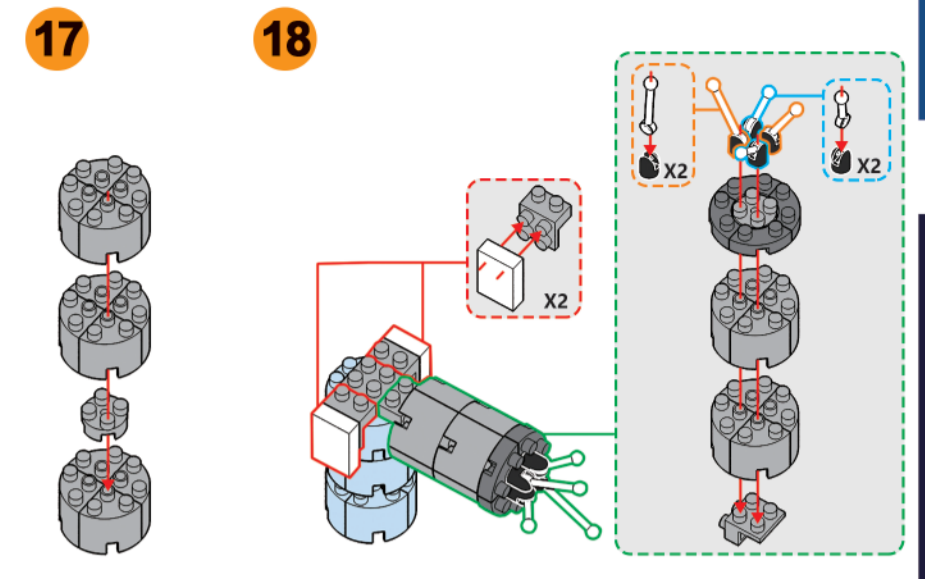


- X2 X2 X4 X8 X28 X2

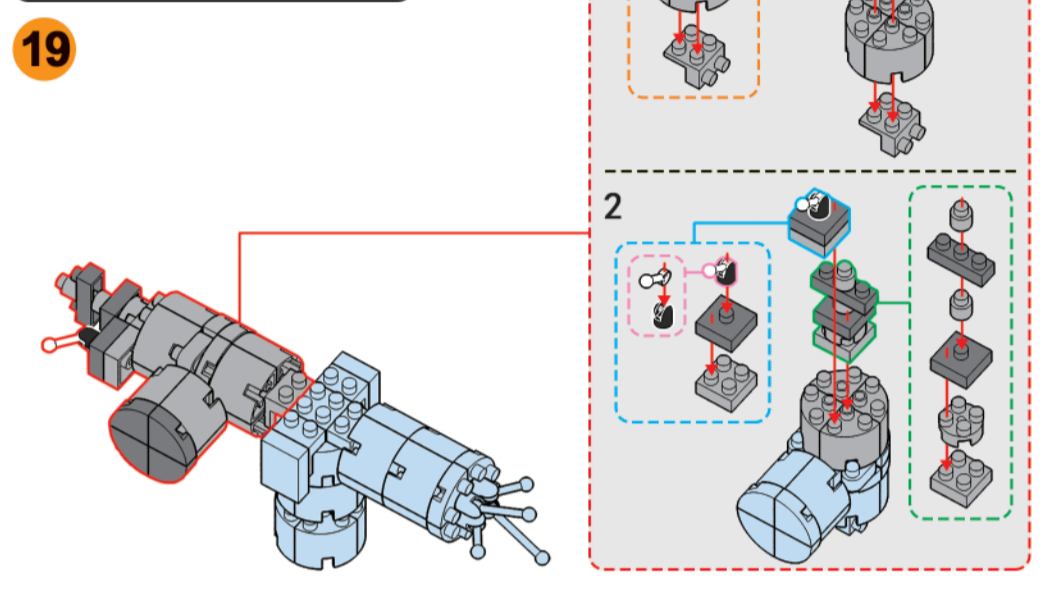


- X1 X12

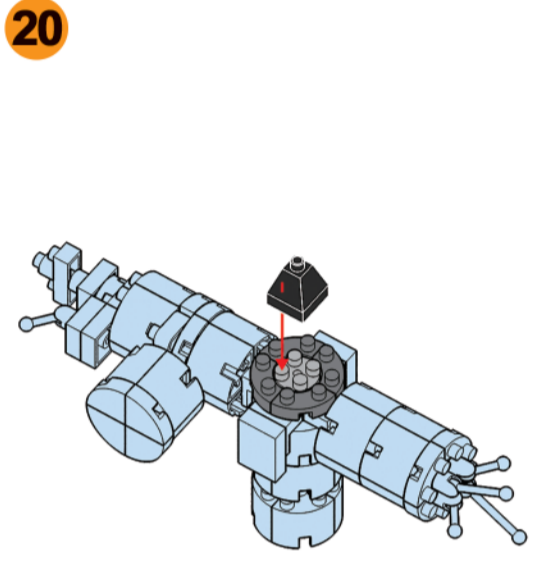
- X4 X1 X1 X4 X2 X2 X2 X3 X8



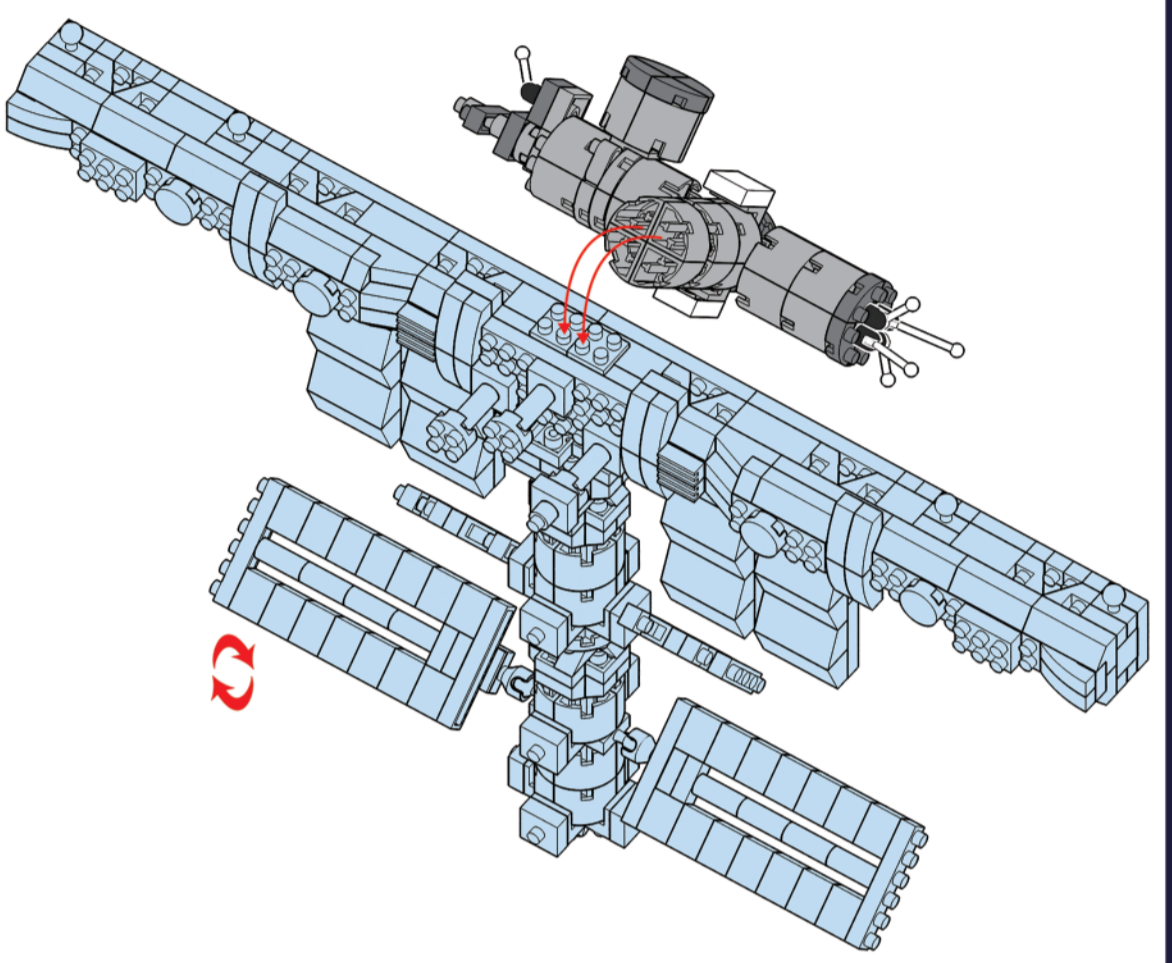
- X2 X1 X1 X2 X1 X6 X4
- X2 X3 X2 X2 X12



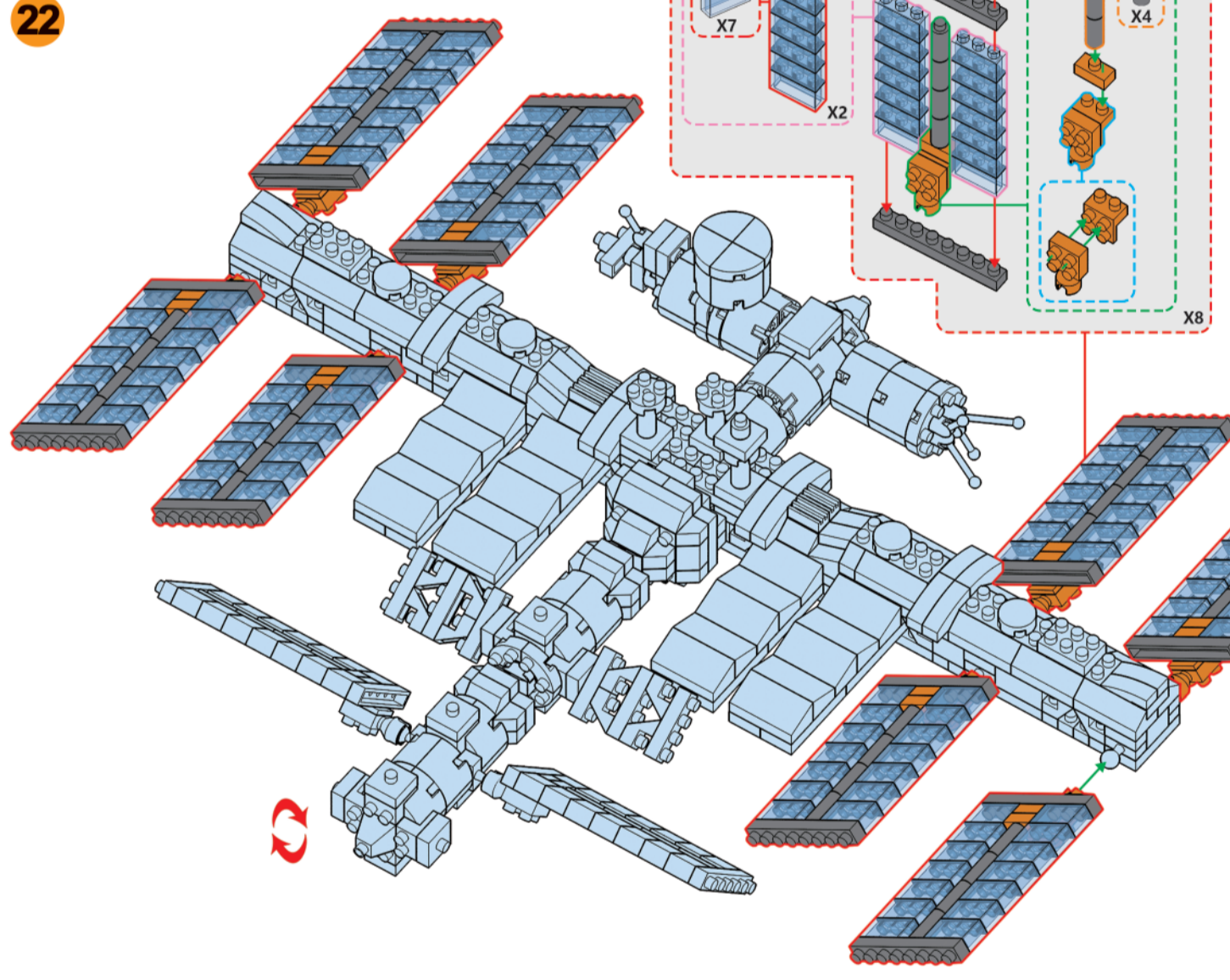
- X4 X1 X1



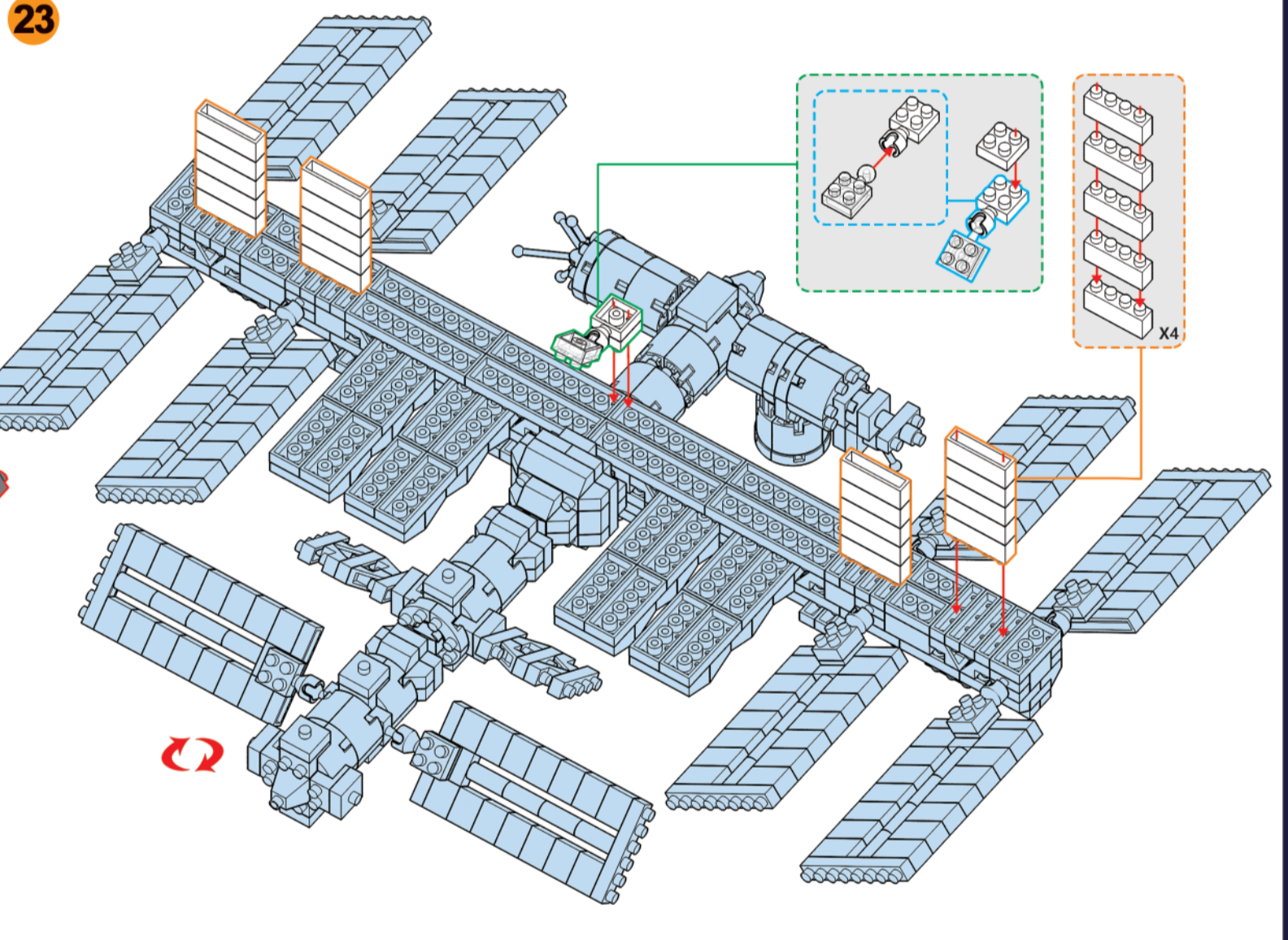
21



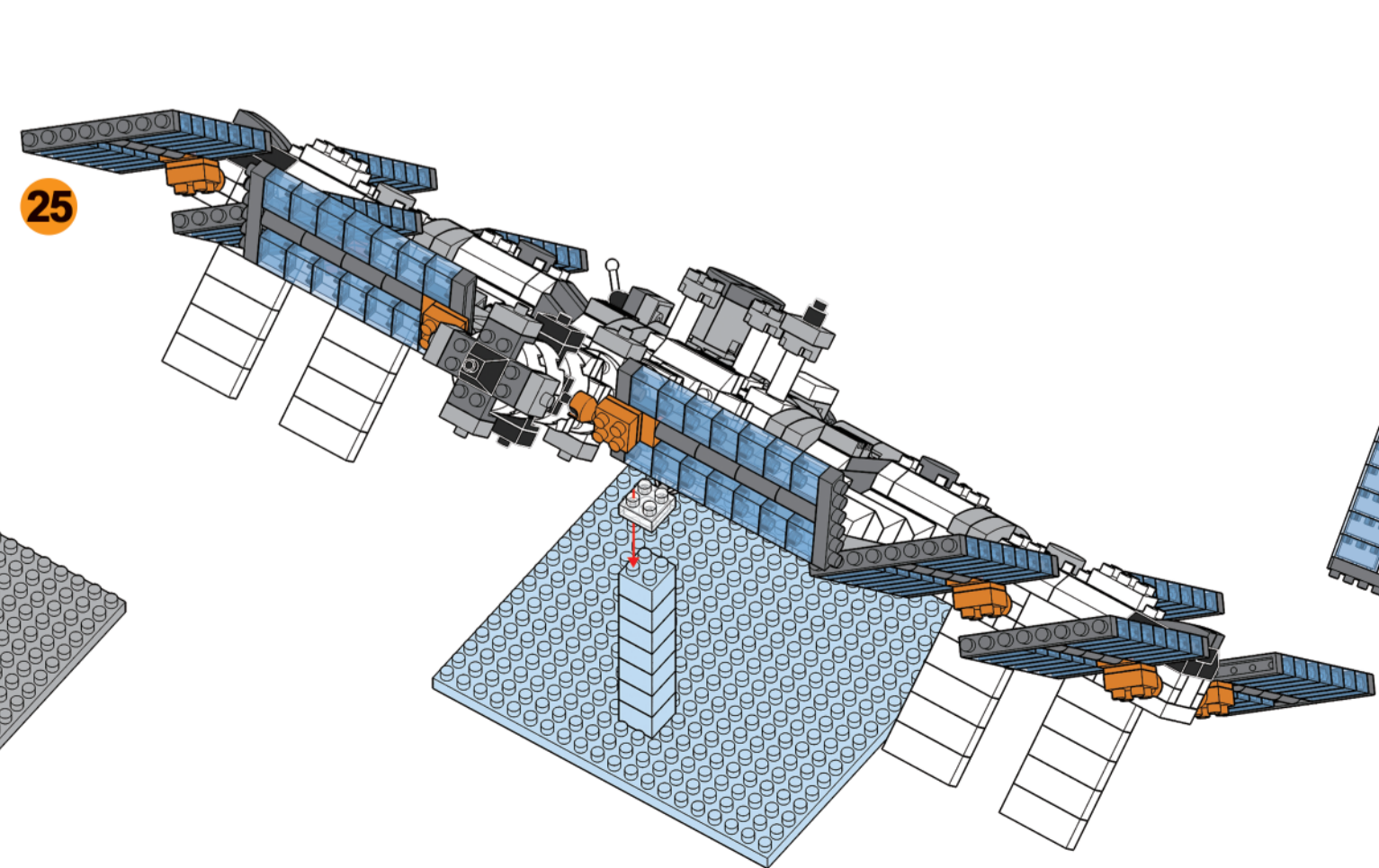
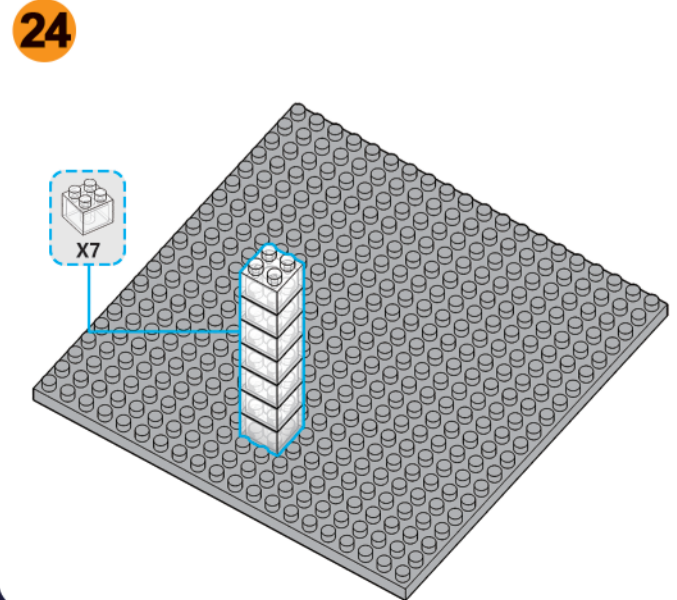
- X8 X8 X16 X32 X8 X112



- X1 X1 X1 X20



- X7 X1



26

