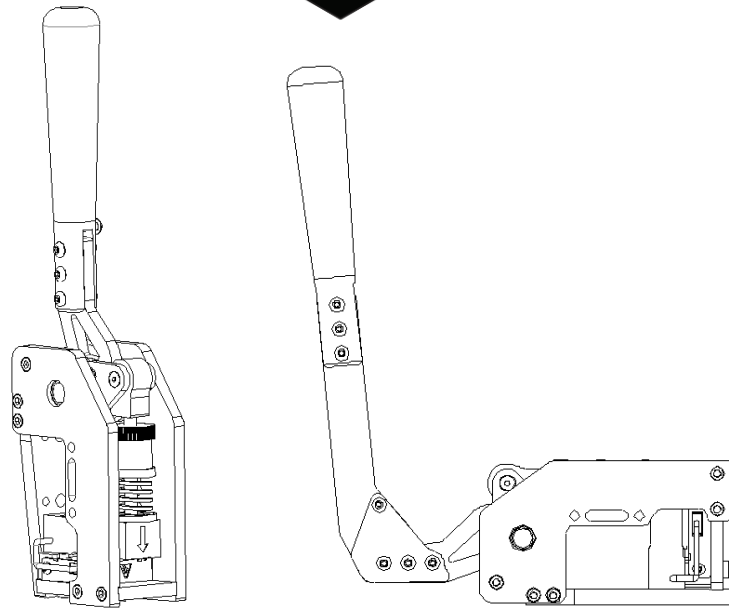
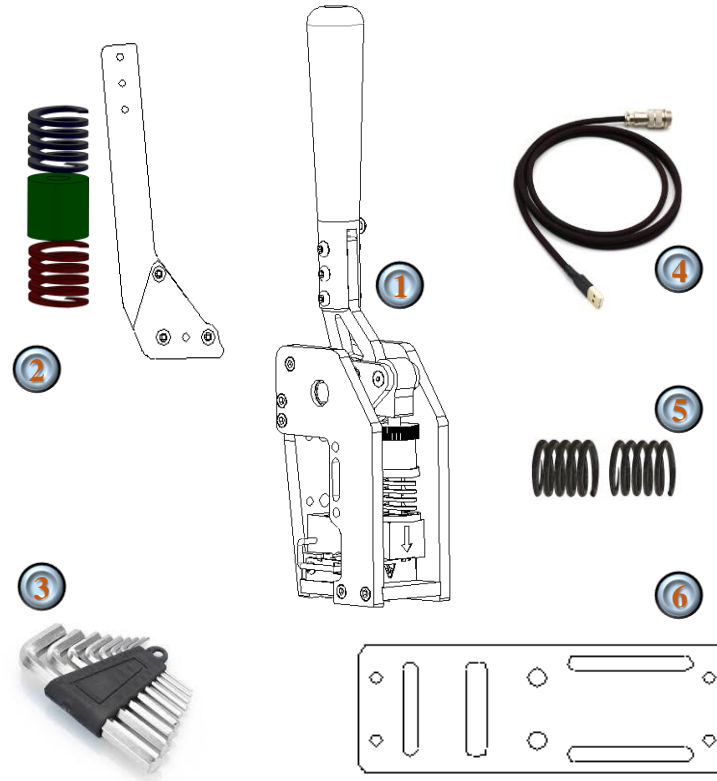


# VNM HANDBRAKE Quick Guide

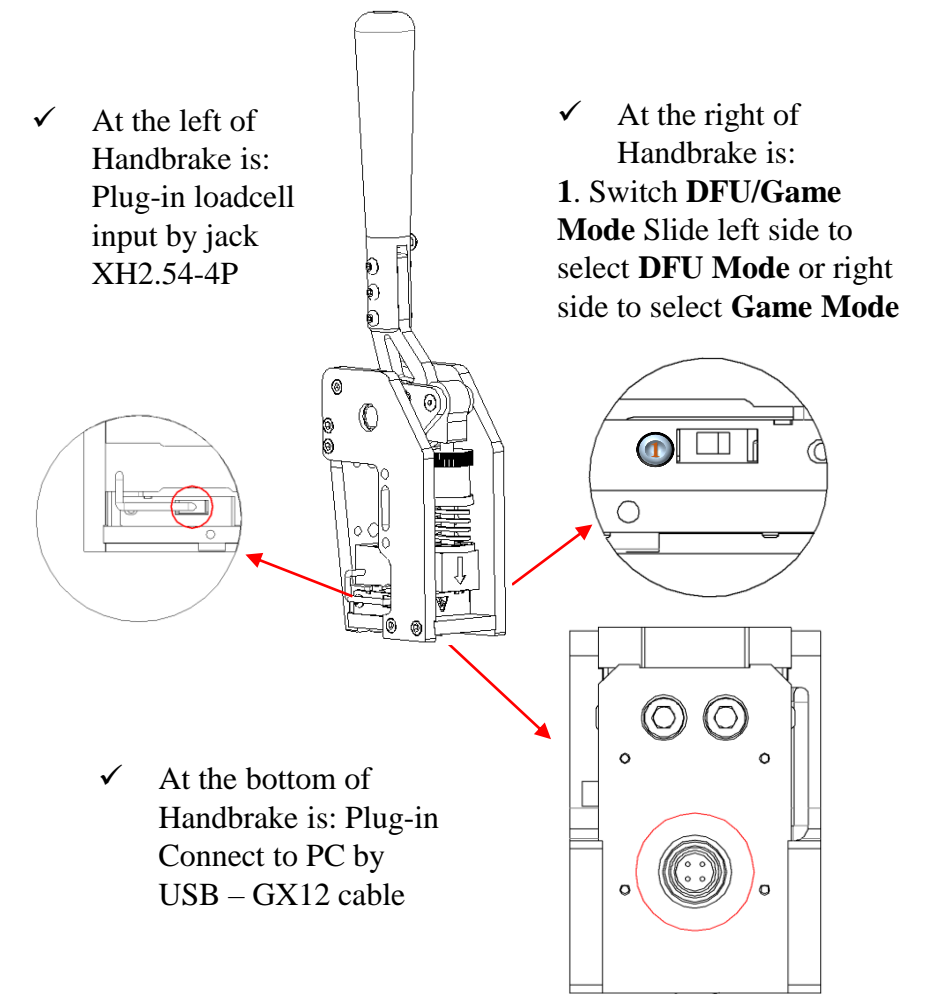


## Content



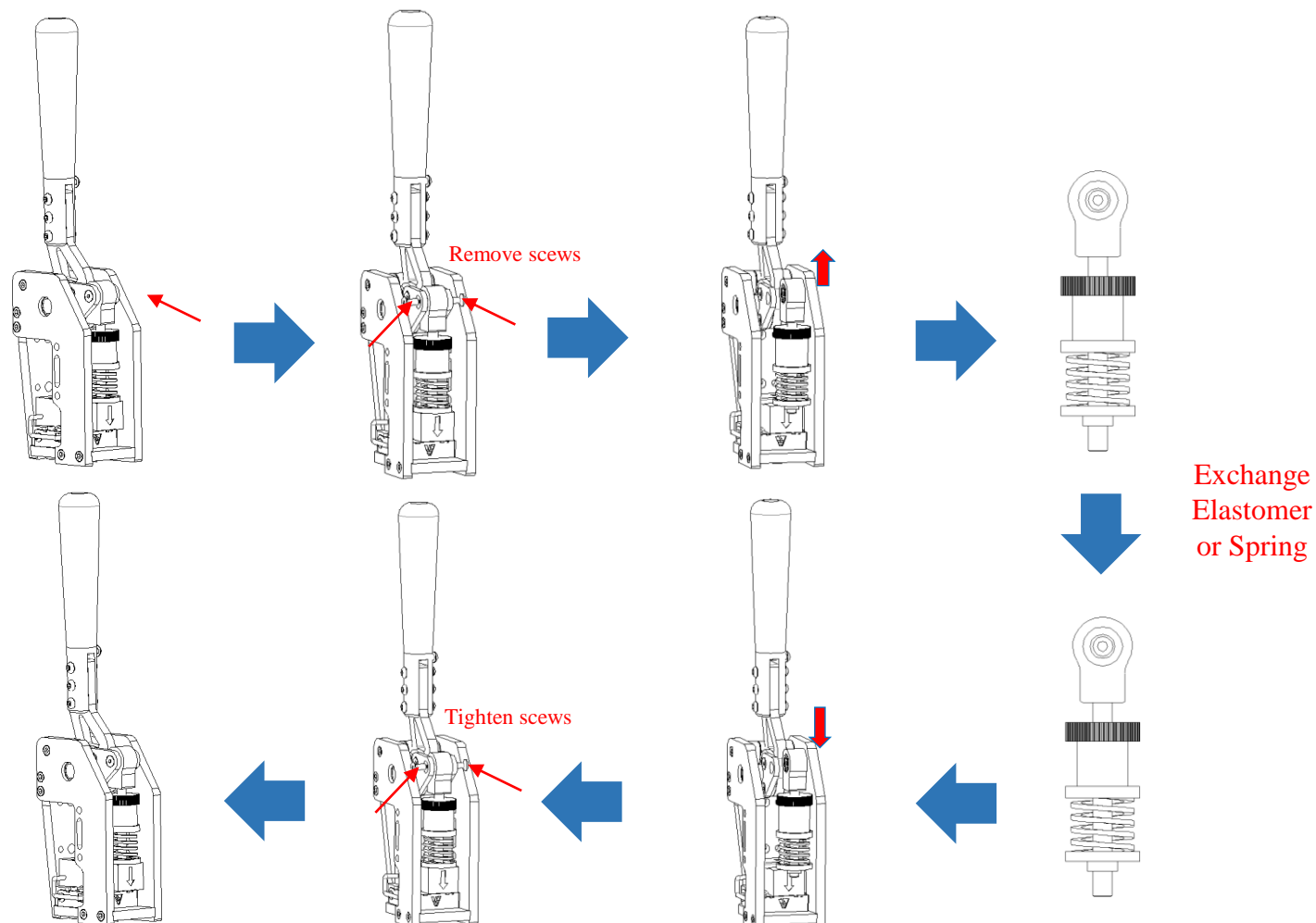
- 1. VNM Handbrake
- 2. **Addon** prokit (horizontal arm; red, blue spring & green elastomer)
- 3. Hexagon alley key
- 4. USB – GX12 cable
- 5. Steel springs
- 6. **Addon** Back plate for Handbrake and Shifter

## Connection



- ✓ At the left of Handbrake is: Plug-in loadcell input by jack XH2.54-4P
- ✓ At the right of Handbrake is: 1. Switch **DFU/Game Mode** Slide left side to select **DFU Mode** or right side to select **Game Mode**
- ✓ At the bottom of Handbrake is: Plug-in Connect to PC by USB – GX12 cable

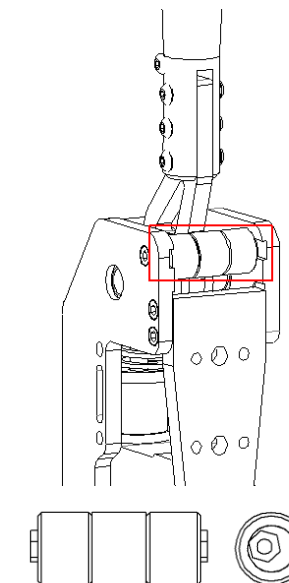
## Exchange Elastomer & Spring



## Adjust Handbrake

### Adjust Spring & elastomer:

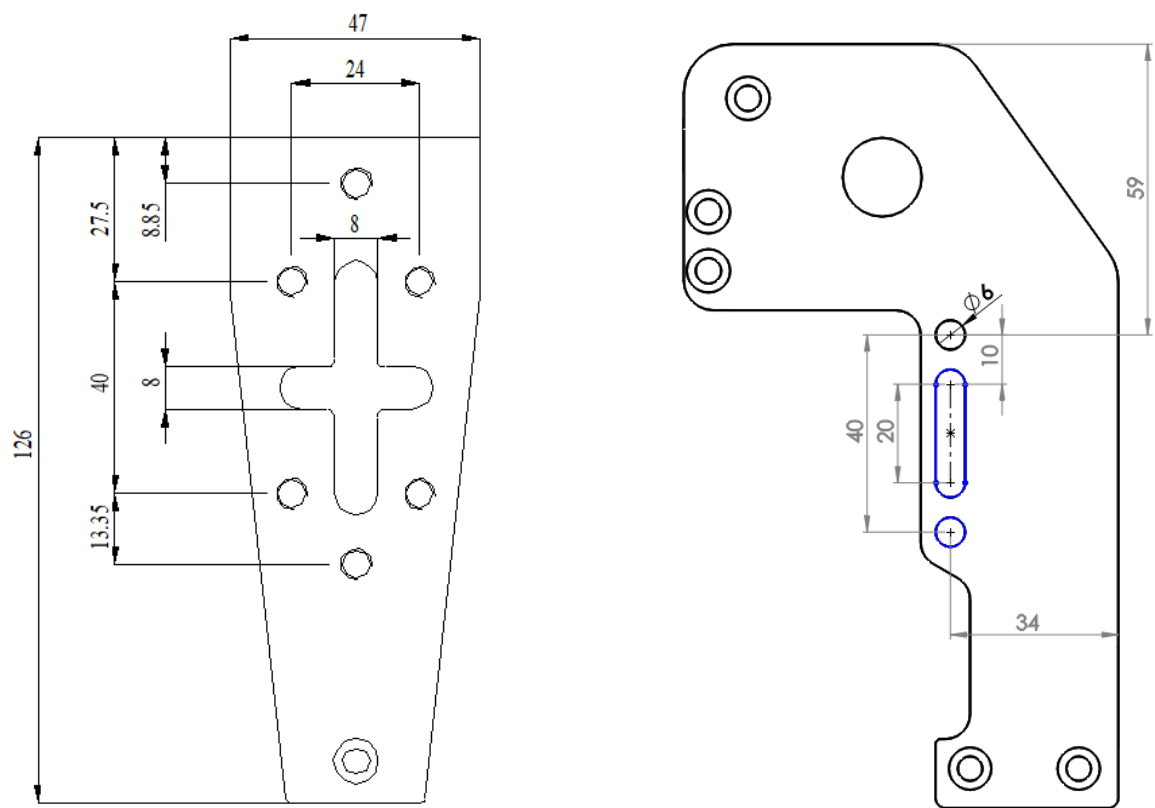
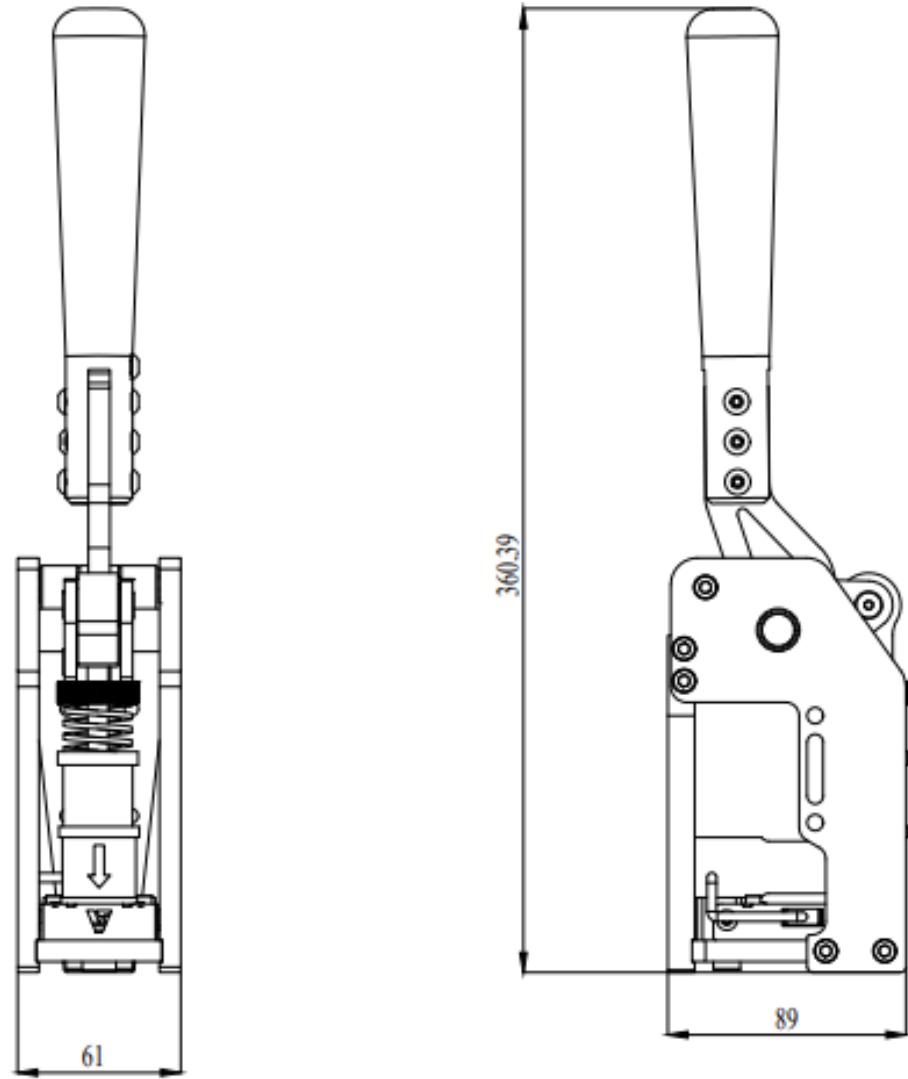
- ✓ Clockwise to made force heavier.
- ✓ Counter-clockwise to made force lighter.



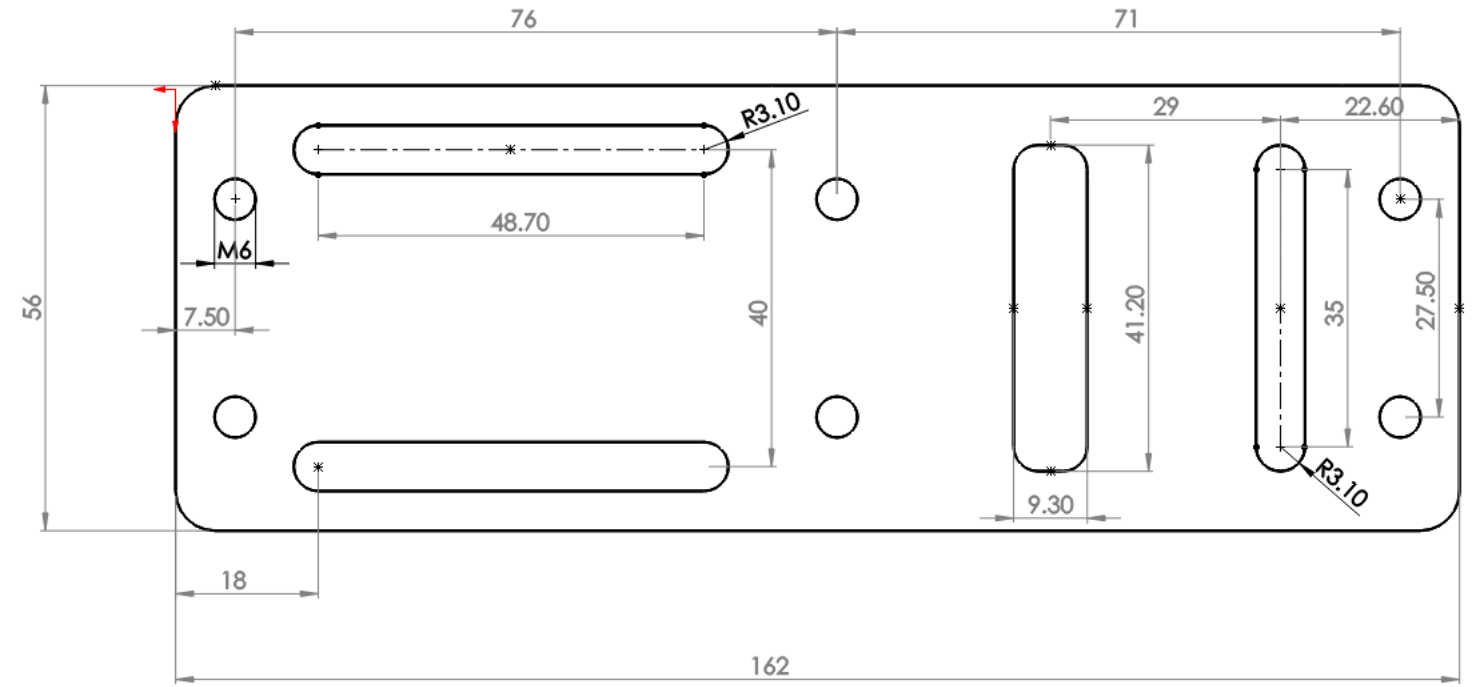
### Adjust the angle of inclination:

- ✓ Remove 2 screws left, right
- ✓ Drag out adjustment part
- ✓ Rotate it, it has 6 postions. Choose postion you want.
- ✓ Push that adjustment part in sliding slot.
- ✓ Screw up and play.

## Mounting Drawing



## Plate Handbrake - Shifter Drawing



## Table Clamp

