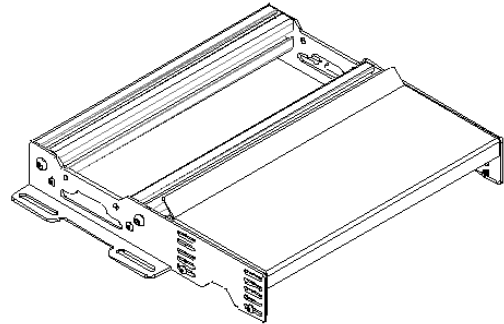
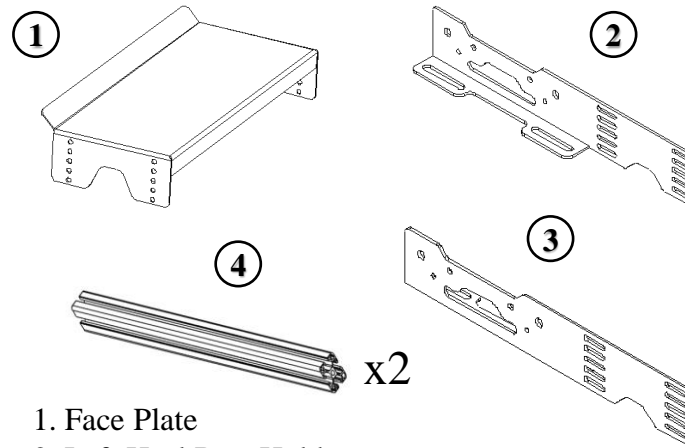


# VNM PEDAL HEEL REST

## Quick Guide



## Content

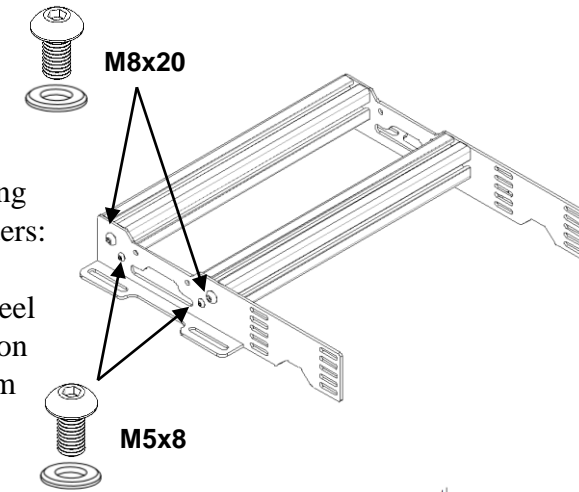


1. Face Plate
2. Left Heel Rest Holder
3. Right Heel Rest Holder
4. Aluminum Profiles

## Set up

Step 1: Mounting Heel Rest Holders:

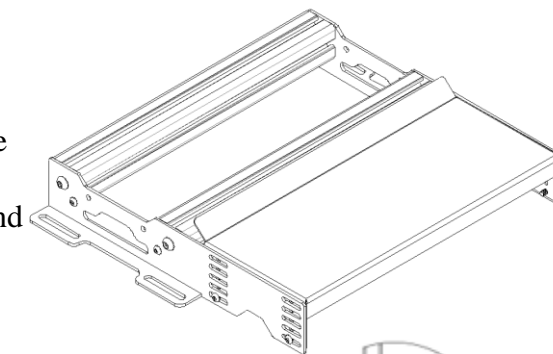
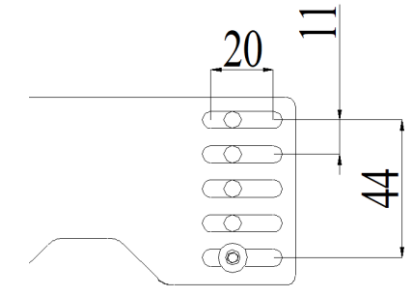
- ✓ Install the heel rest holders on the aluminum profiles



Step 2: Mounting Face Plate:

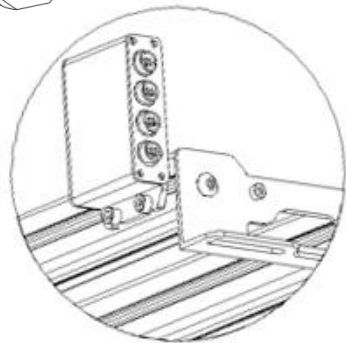
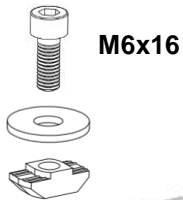
- ✓ Choose the most comfortable height or recline for your seating position

- ✓ Then tighten the bolts with the included nuts and washers

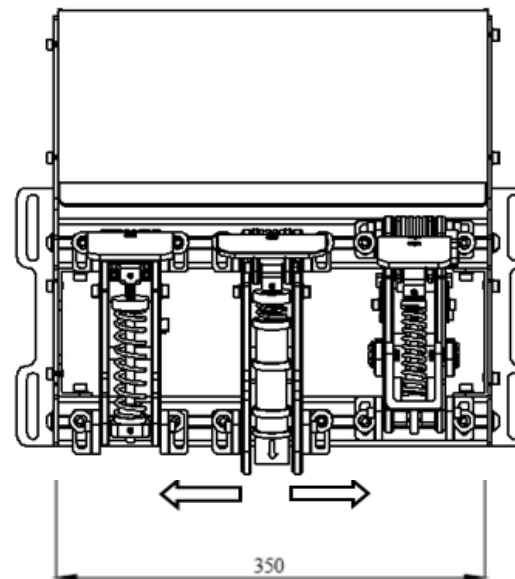
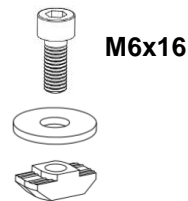


## Set up with VNM Pedal Set

- ✓ The Control box can be installed on the back of pedal heel rest. Install by M6 screw and T nut with profile 4040 aluminum bar.



- ✓ Install your pedal units to the aluminum profile. Tighten the bolts with the included T nuts and washers



# Mounting Drawing

