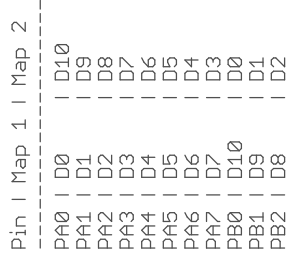
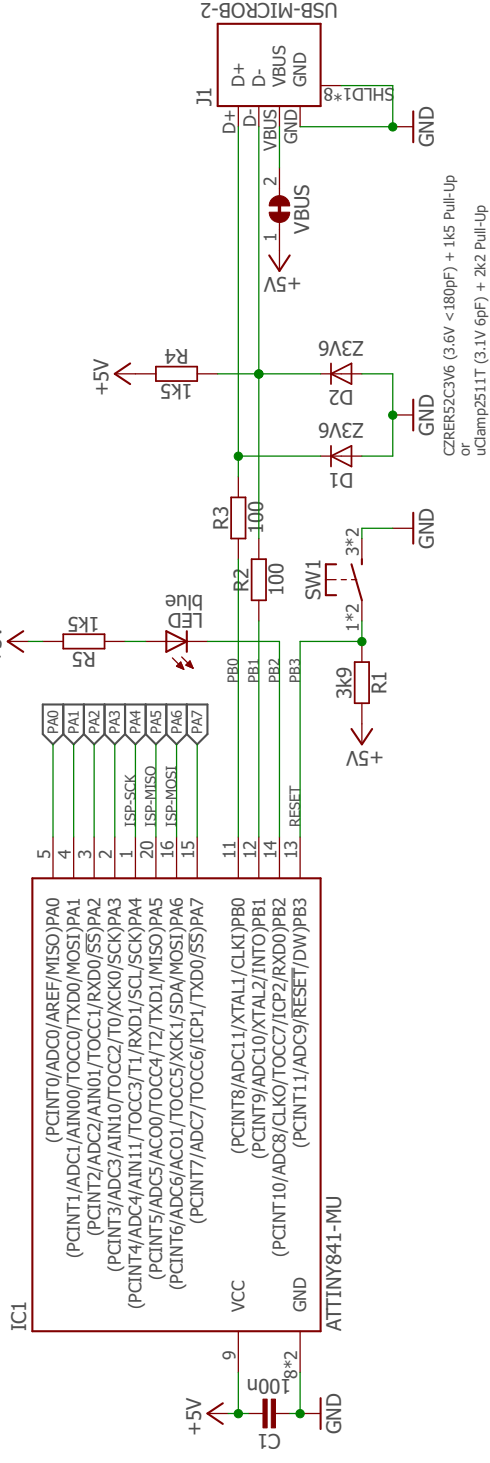


# ATTiny841 AVR

The used USB-Bootloader on the ATTiny841 is Micronucleus  
<https://github.com/micronucleus/micronucleus>



Map 1 = David A. Mellis - <https://github.com/damellis/attiny>  
 Map 2 = Spence Konde - <https://github.com/SpenceKonde/ATTinyCore>

Released under the Creative Commons Attribution Share-Alike License. <http://creativecommons.org/licenses/by-sa/4.0/>

Designed by Tim Böske  
<https://github.com/cpidcpu/Nanite>

www.watterott.com

Wattuno-Nanite841\_v11

27.11.2016 18:14:20

Sheet: 1/1

OSHW Watterott

