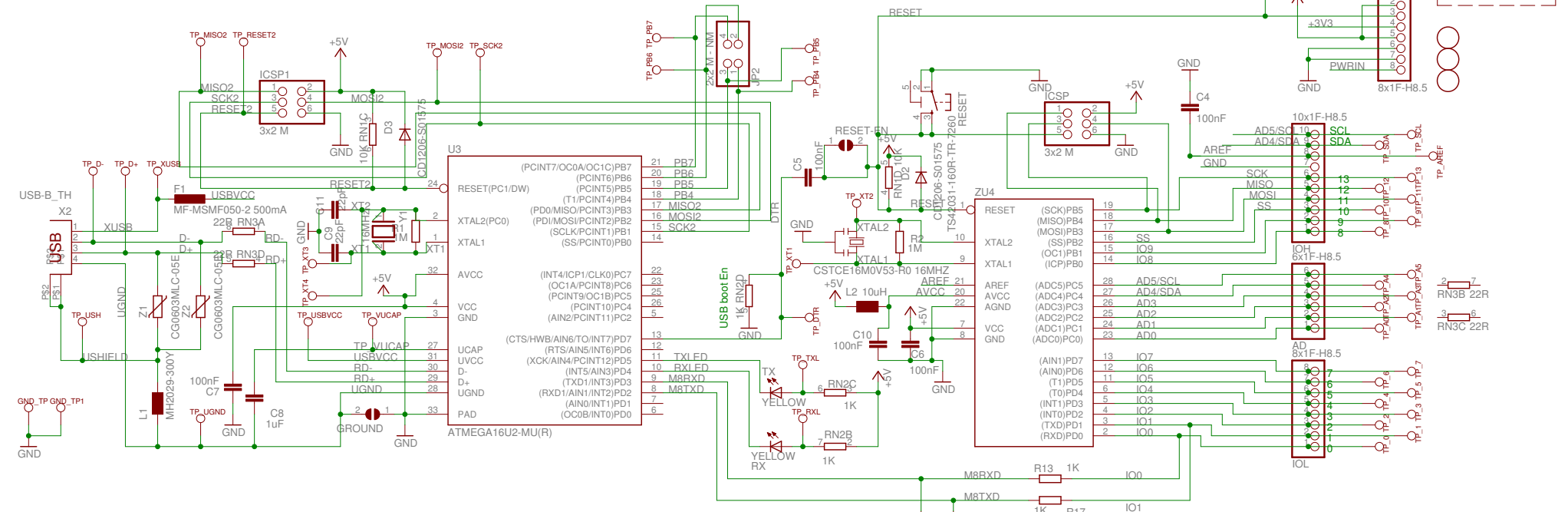


Reference Designs ARE PROVIDED "AS IS" AND "WITH ALL FAULTS". Arduino DISCLAIMS ALL OTHER WARRANTIES, EXPRESS OR IMPLIED, REGARDING PRODUCTS, INCLUDING BUT NOT LIMITED TO, ANY IMPLIED WARRANTIES OF MERCHANTABILITY OR FITNESS FOR A PARTICULAR PURPOSE

Arduino may make changes to specifications and product descriptions at any time, without notice. The Customer must not rely on the absence or characteristics of any features or instructions marked "reserved" or "undefined." Arduino reserves these for future definition and shall have no responsibility whatsoever for conflicts or incompatibilities arising from future changes to them.

The product information on the Web Site or Materials is subject to change without notice. Do not finalize a design with this information.

"Arduino" name and logo are trademarks registered by Arduino S.r.l. in Italy, in the European Union and in other countries of the world.



Arduino® UNO WiFi

Author: E. Vita and G. Martino
 Arduino-UNO-WiFi-U4_AF1
 01/03/16 13:27
 Sheet: 1/2

Arduino® UNO WiFi

ANT EXT INT
 CX1 yes no
 R36 yes no
 X3 no yes

GPIO15 must keep low, GPIO2 must keep high
 GPIO0 high -> run mode, LOW -> flash mode
 in sleep mode, XPD & EXT-RSTB should be tied and EXT_RSTB will output the wake-up signal
 pressing PB1 during start up, the FLASH MODE will be activated
 pressing PB1 during run mode for 5 secs, WiFi config is reset

SPI TWI
 R9 yes no
 R21 yes no
 R22 yes no
 R24 yes no
 R28 yes no
 R27 no yes
 R29 no yes
 R30 no yes
 R42 no yes
 R43 no yes

Reference Designs ARE PROVIDED "AS IS" AND "WITH ALL FAULTS". Arduino DISCLAIMS ALL OTHER WARRANTIES, EXPRESS OR IMPLIED, REGARDING PRODUCTS, INCLUDING BUT NOT LIMITED TO, ANY IMPLIED WARRANTIES OF MERCHANTABILITY OR FITNESS FOR A PARTICULAR PURPOSE
 Arduino may make changes to specifications and product descriptions at any time, without notice. The Customer must not rely on the absence or characteristics of any features or instructions marked "reserved" or "undefined." Arduino reserves these for future definition and shall have no responsibility whatsoever for conflicts or incompatibilities arising from future changes to them.
 The product information on the Web Site or Materials is subject to change without notice. Do not finalize a design with this information.

"Arduino" name and logo are trademarks registered by Arduino S.r.l. in Italy, in the European Union and in other countries of the world.

Author: E. Vita and G. Martino
Arduino-UNO-WiFi-U4_AF1
01/03/16 13:27
Sheet: 2/2

