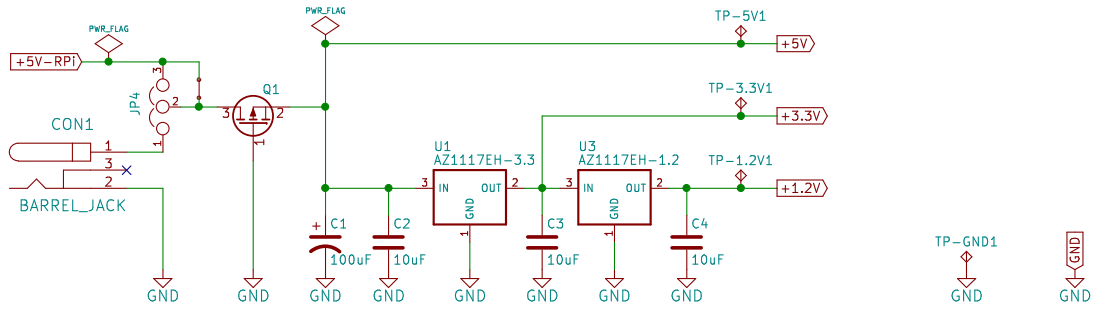
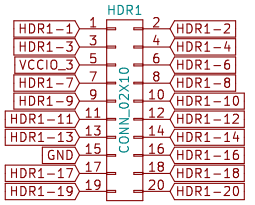
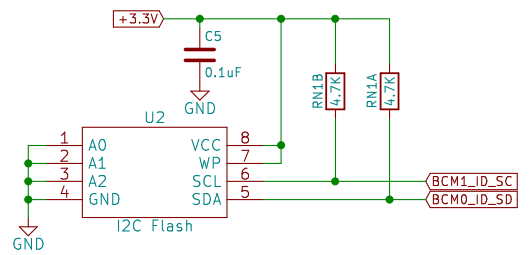
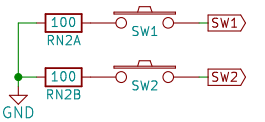
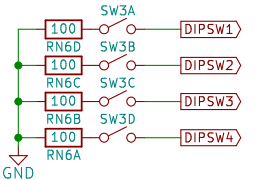
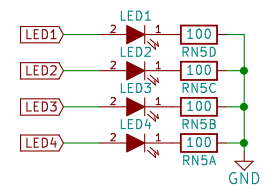
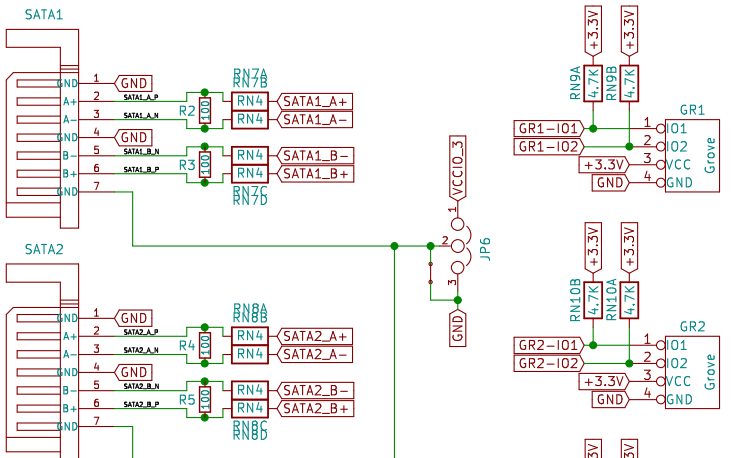
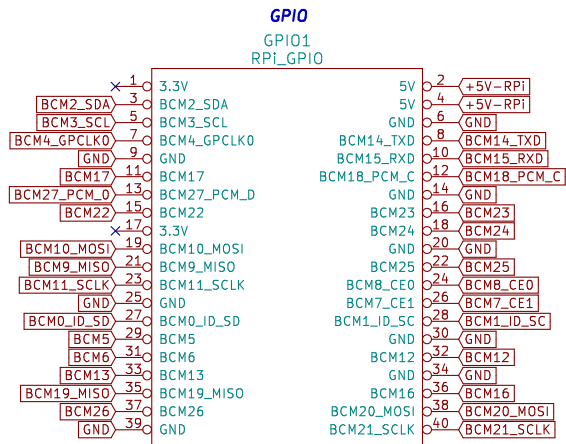


Sheet: Compute_Module

File: Compute_Module.sch



CC BY 4.0
OSHW
(c) 2015
XESS Corp.



Sheet: /
File: CAT.sch

Title: CAT HAT

Size: A4
Date: 2015-09-09

KiCad E.D.A. kicad (2015-09-24 BZR 6216)-product

Rev: 0.1
Id: 1/7

	1	2	3	4	5	6
A						
B						
C						
D						
	1	2	3	4	5	6

Sheet: FPGA



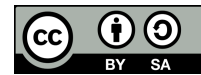
File: FPGA.sch

Sheet: Memory



File: Memory.sch

CC BY 4.0
OSHW
(c) 2015
XESS Corp.



Sheet: /Compute_Module/
File: Compute_Module.sch

Title: CAT HAT

Size: A4	Date: 2015-09-09	Rev: 0.1
KiCad E.D.A. kicad (2015-09-24 BZR 6216)-product		Id: 2/7

Sheet: FPGA I/O



File: FPGA_IO.sch

Sheet: FPGA Config



File: FPGA_CFG.sch

Sheet: FPGA Power



File: FPGA_PWR.sch

CC BY 4.0
OSHW
(c) 2015
XESS Corp.

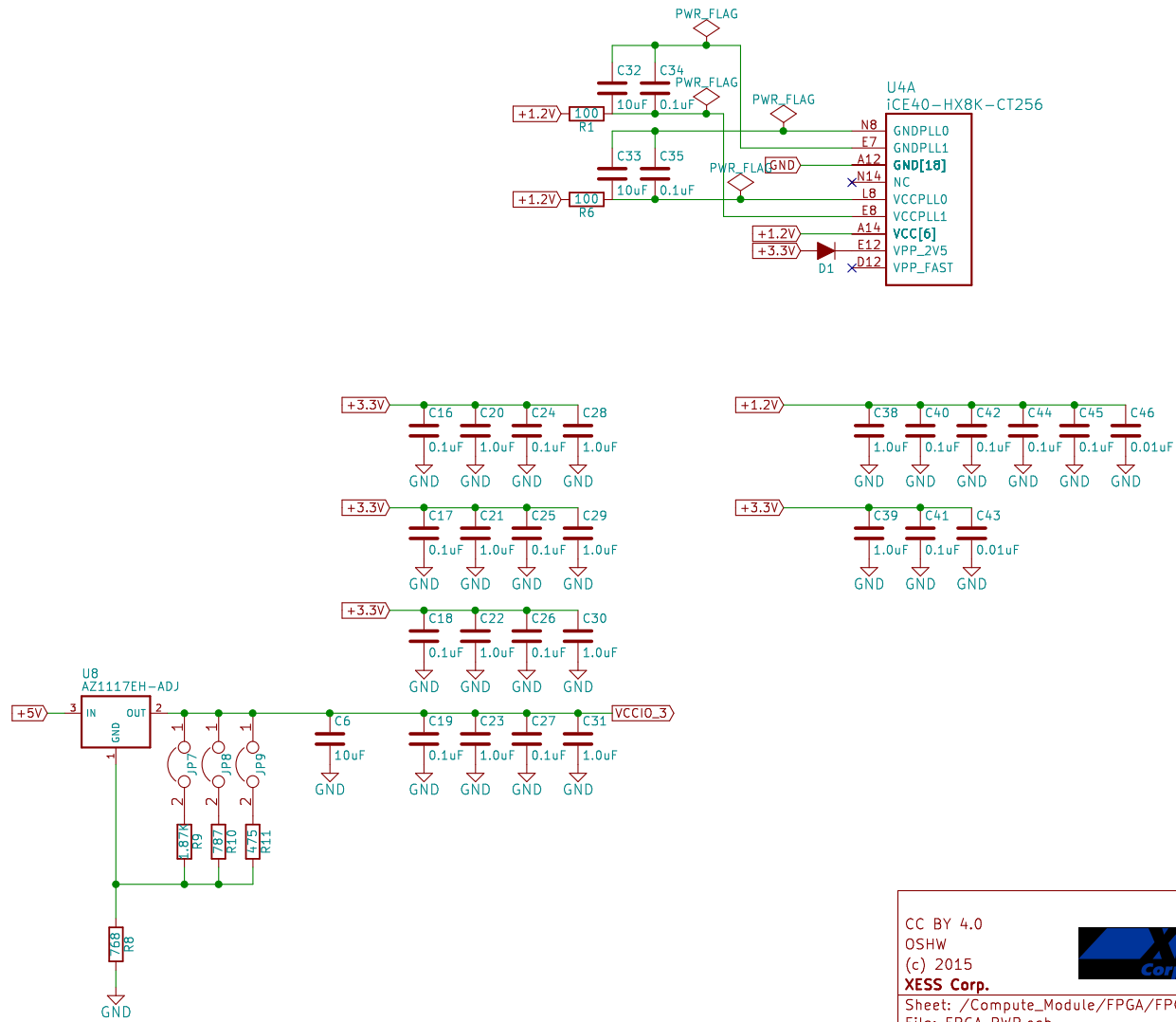


Sheet: /Compute_Module/FPGA/
File: FPGA.sch

Title: CAT HAT

Size: A4 Date: 2015-09-09
KiCad E.D.A. kicad (2015-09-24 BZR 6216)-product

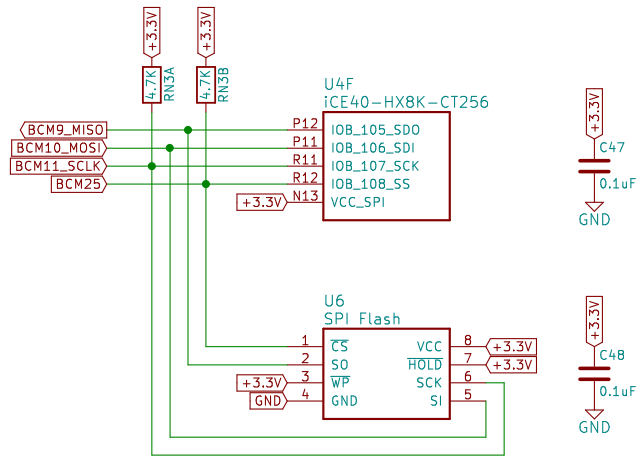
Rev: 0.1
Id: 3/7



CC BY 4.0
 OSHW
 (c) 2015
XESS Corp.



Sheet: /Compute_Module/FPGA/FPGA Power/ File: FPGA_PWR.sch	
Title: CAT HAT	
Size: A4	Date: 2015-09-09
KiCad E.D.A. kicad (2015-09-24 BZR 6216)-product	Rev: 0.1 Id: 4/7



CC BY 4.0
 OSHW
 (c) 2015
XESS Corp.

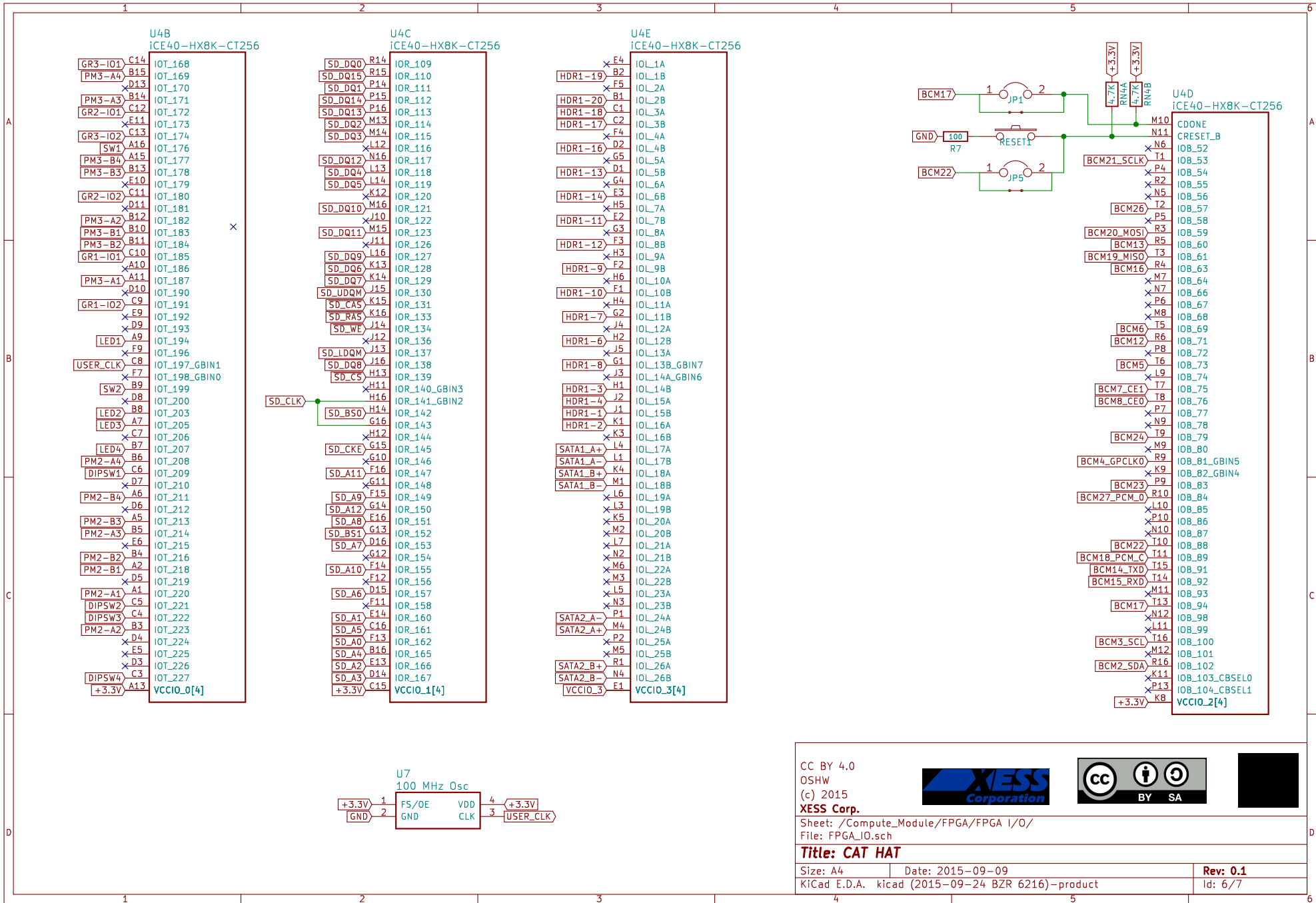


Sheet: /Compute_Module/FPGA/FPGA Config/
 File: FPGA_CFG.sch

Title: CAT HAT

Size: A4 Date: 2015-09-09
 KiCad E.D.A. kicad (2015-09-24 BZR 6216)-product

Rev: 0.1
 Id: 5/7



CC BY 4.0
 OSHW
 (c) 2015
XESS Corp.

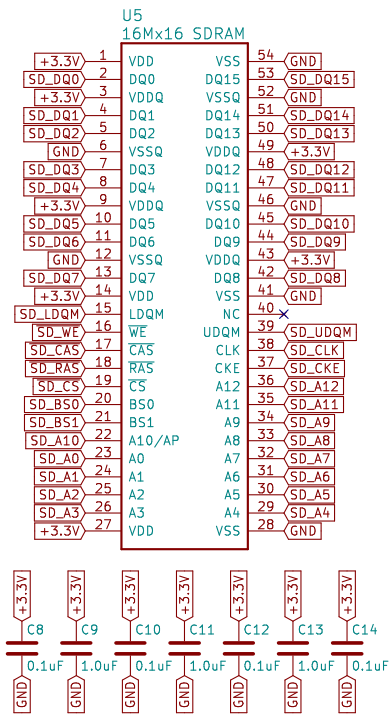


Sheet: /Compute_Module/FPGA/FPGA I/O/
 File: FPGA_IO.sch



Title: CAT HAT

Size: A4 Date: 2015-09-09
 Kicad E.D.A. kicad (2015-09-24 BZR 6216)-product

Rev: 0.1
 Id: 6/7



CC BY 4.0
OSHW
(c) 2015
XESS Corp.

Sheet: /Compute_Module/Memory/
File: Memory.sch

Title: CAT HAT

Size: A4	Date: 2015-09-09	Rev: 0.1
KiCad E.D.A. kicad (2015-09-24 BZR 6216)-product		Id: 7/7